



US00D379393S

United States Patent [19]

[11] Patent Number: Des. 379,393

Kubica et al.

[45] Date of Patent: **May 20, 1997

[54] GOLF CLUB HEAD

[75] Inventors: **Daniel J. Kubica; John A. Solheim**, both of Phoenix; **David E. Wright**, Glendale, all of Ariz.

[73] Assignee: **Karsten Manufacturing Corporation**, Phoenix, Ariz.

[**] Term: **14 Years**

[21] Appl. No.: **47,390**

[22] Filed: **Dec. 1, 1995**

[51] LOC (6) Cl. **21-02**

[52] U.S. Cl. **D21/220**

[58] Field of Search **D21/220; 473/350, 473/324, 327, 328, 330, 331**

[56] References Cited

U.S. PATENT DOCUMENTS

D. 240,841	8/1976	Solheim .	
D. 256,264	8/1980	Solheim	D21/220
D. 318,703	7/1991	Shearer	D21/214
D. 330,577	10/1992	Solheim	D21/214
D. 332,812	1/1993	Solheim	D21/220
D. 344,778	3/1994	Solheim	D21/220
D. 354,326	1/1995	Cleveland	D21/220
D. 355,688	2/1995	Cleveland	D21/220
D. 357,293	4/1995	Solheim	D21/220
D. 357,294	4/1995	Solheim	D21/220
4,826,172	5/1989	Antonius	273/169
4,919,430	4/1990	Antonius	273/169

Primary Examiner—Philip S. Hyder
Assistant Examiner—Mitchell I. Siegel
Attorney, Agent, or Firm—Darrell F. Marquette; Herbert E. Haynes, Jr.

[57] CLAIM

The ornamental design for a golf club head, as shown and described.

DESCRIPTION

FIG. 1 is a perspective view of a golf club head showing our new design;

FIG. 2 is a toe end view of the golf club head shown in FIG. 1;

FIG. 3 is a heel end view of the golf club head shown in FIG. 1;

FIG. 4 is a top plan view of the golf club head shown in FIG. 1;

FIG. 5 is a bottom view of the golf club head shown in FIG. 1;

FIG. 6 is a front elevational view of the golf club head shown in FIG. 1;

FIG. 7 is a rear elevational view of the golf club head shown in FIG. 1;

FIG. 8 is an enlarged cross-sectional view taken along lines 8—8 in FIG. 7;

FIG. 9 is an enlarged cross sectional view taken along lines 9—9 in FIG. 7;

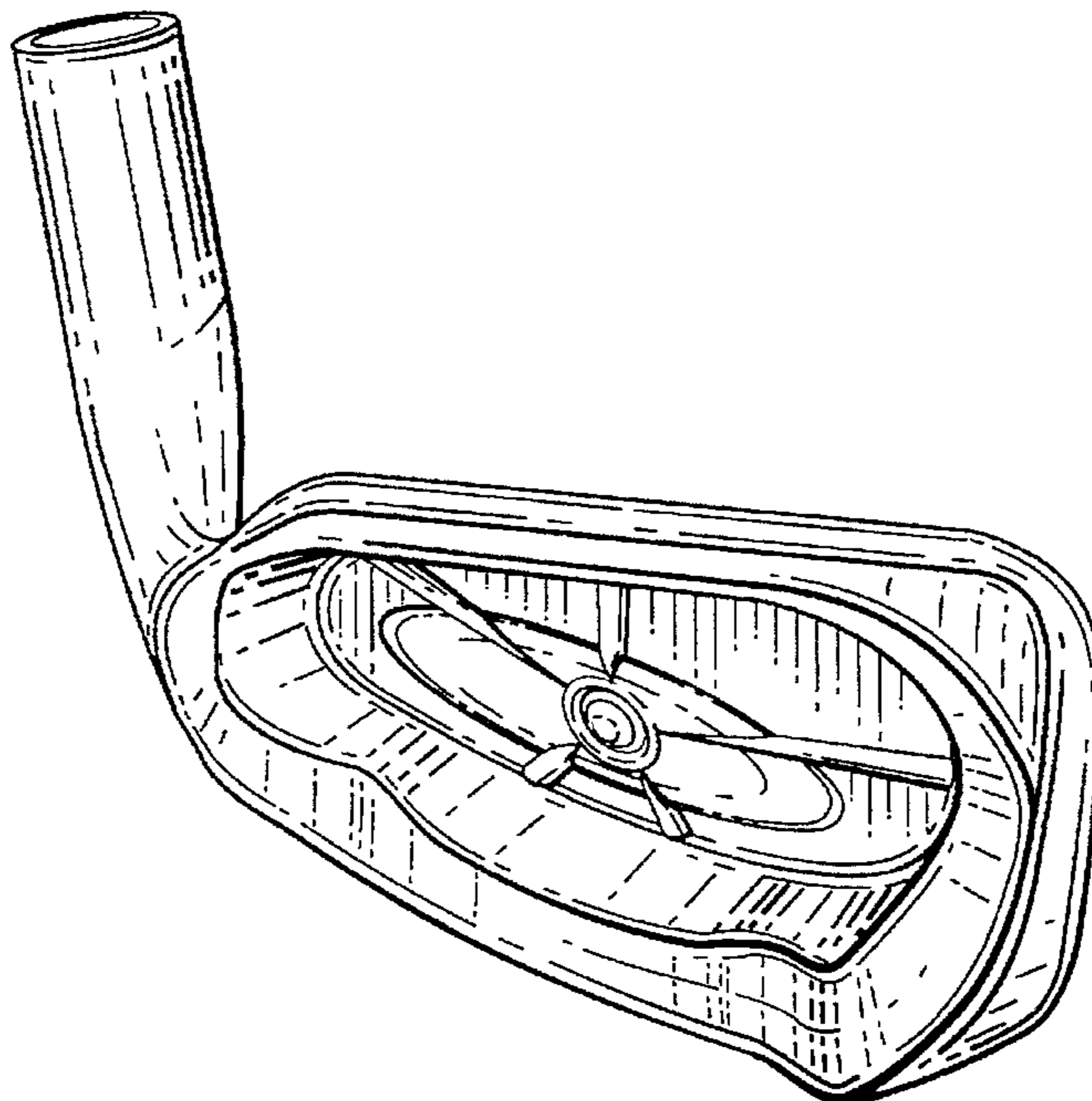
FIG. 10 is an enlarged cross-sectional view taken along lines 10—10 in FIG. 7;

FIG. 11 is an enlarged rear elevational view of the golf club head shown in FIG. 1; and,

FIG. 12 is an enlarged rear elevational view of a second embodiment of the golf club head as disclosed in FIG. 1.

The undisclosed sides of the second embodiment are identical to those disclosed in the first embodiment.

1 Claim, 5 Drawing Sheets



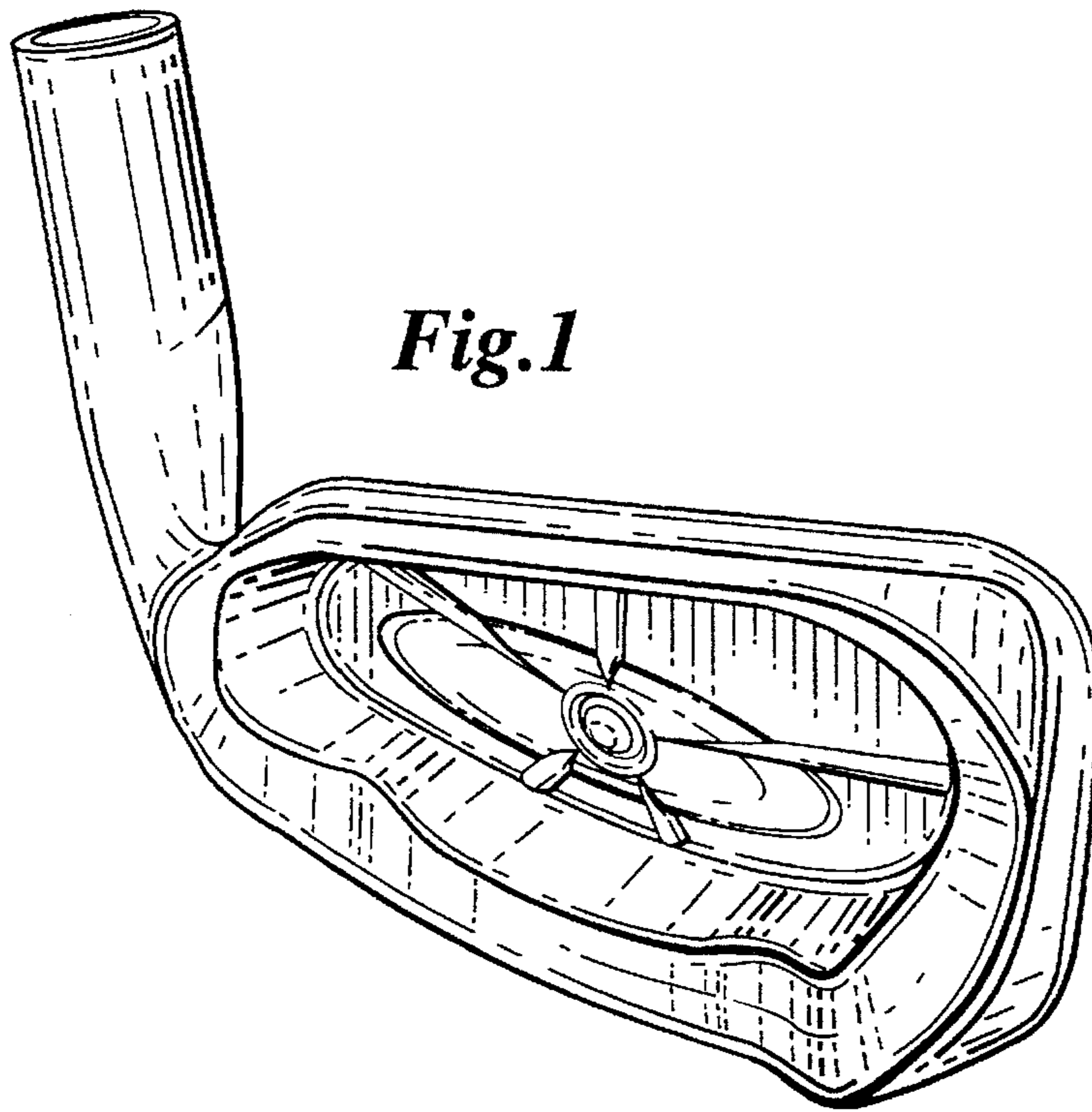


Fig.1

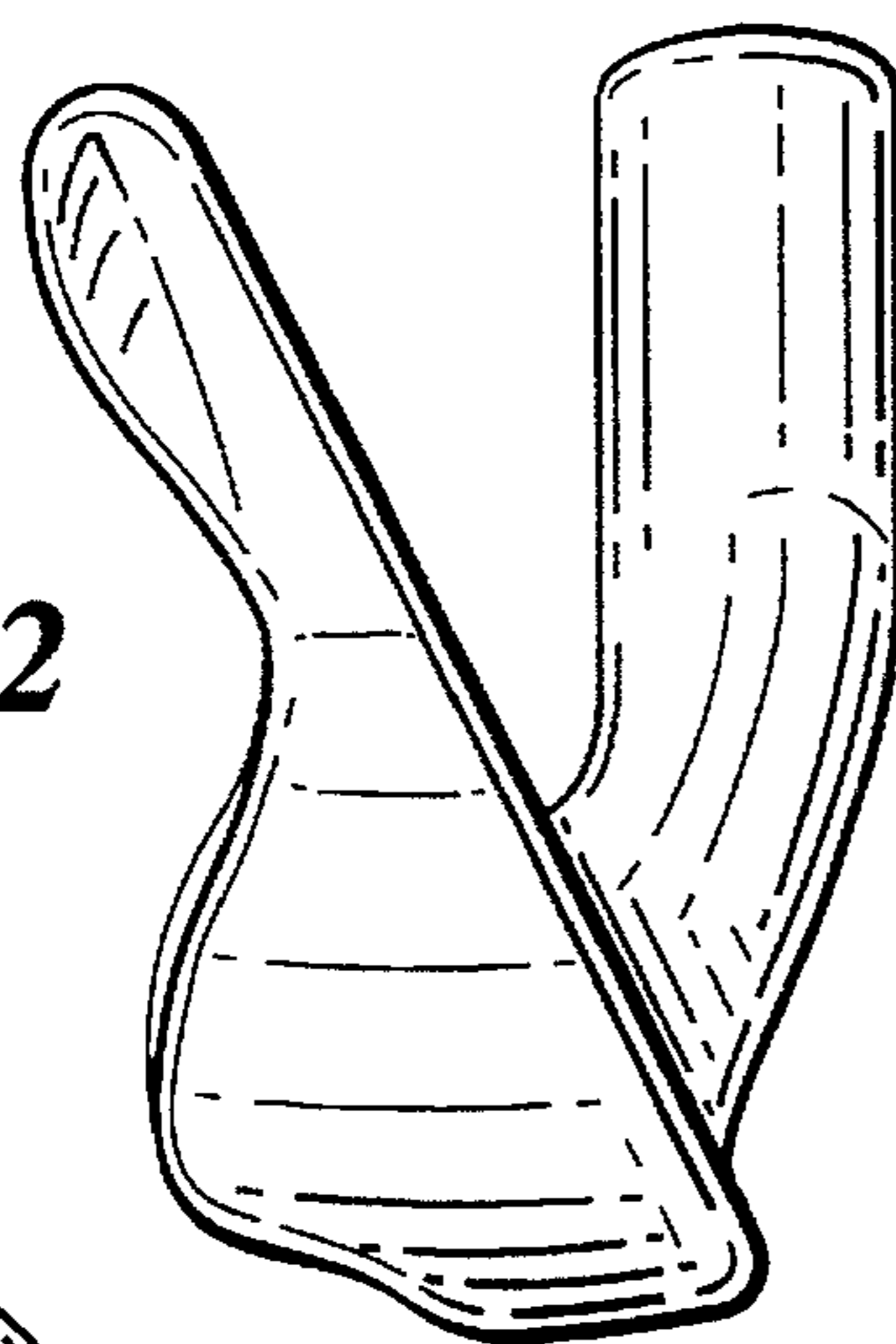


Fig.2

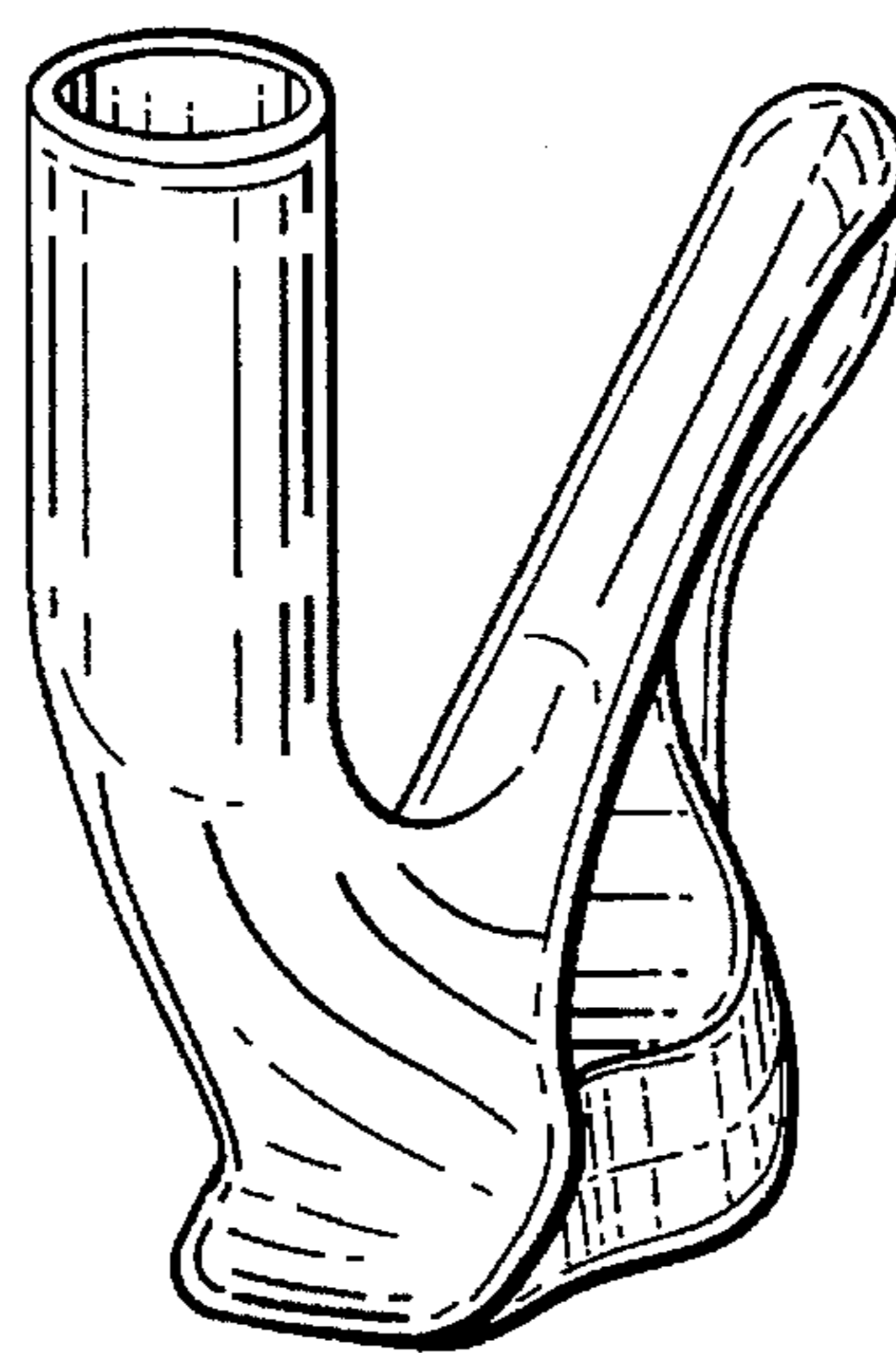


Fig.3

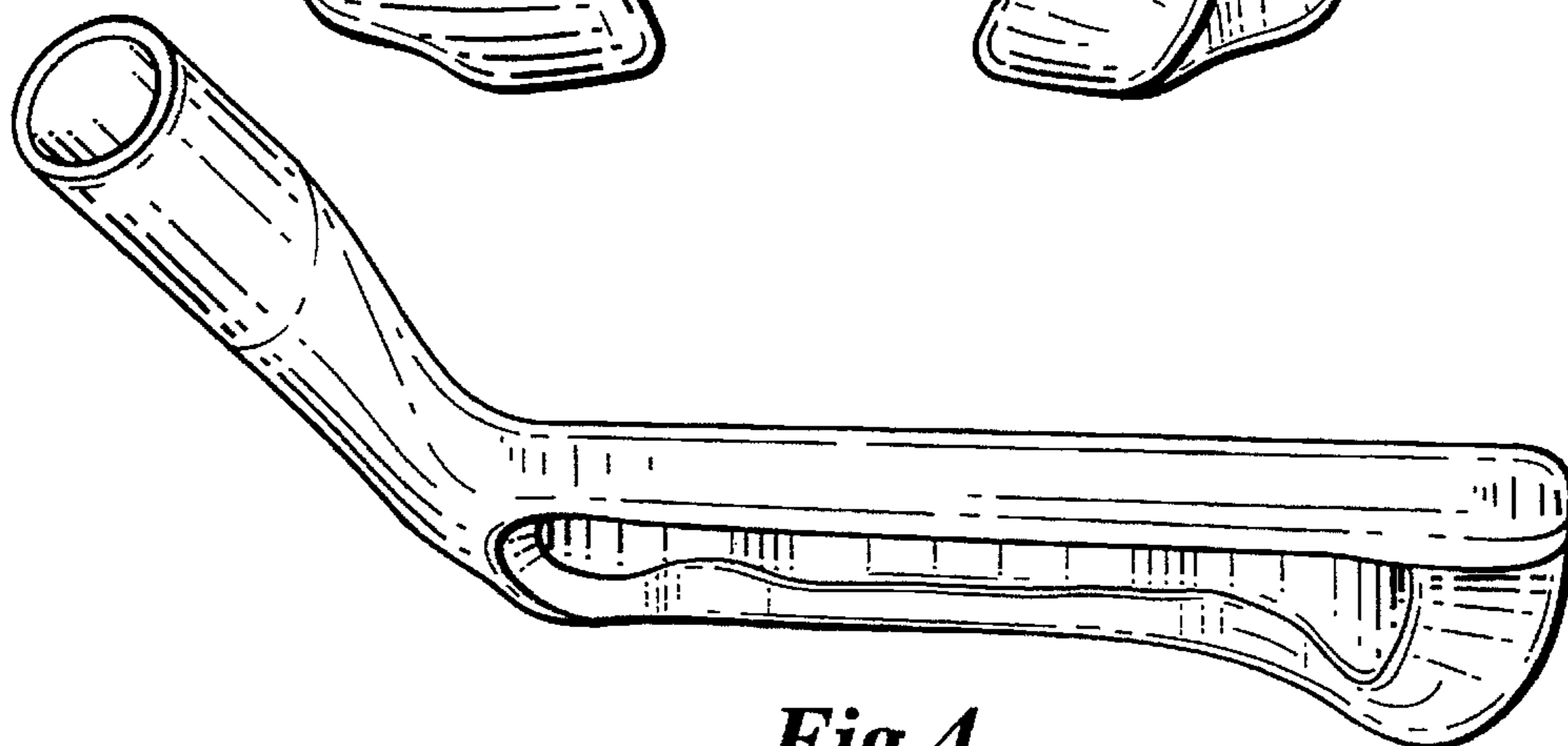


Fig.4

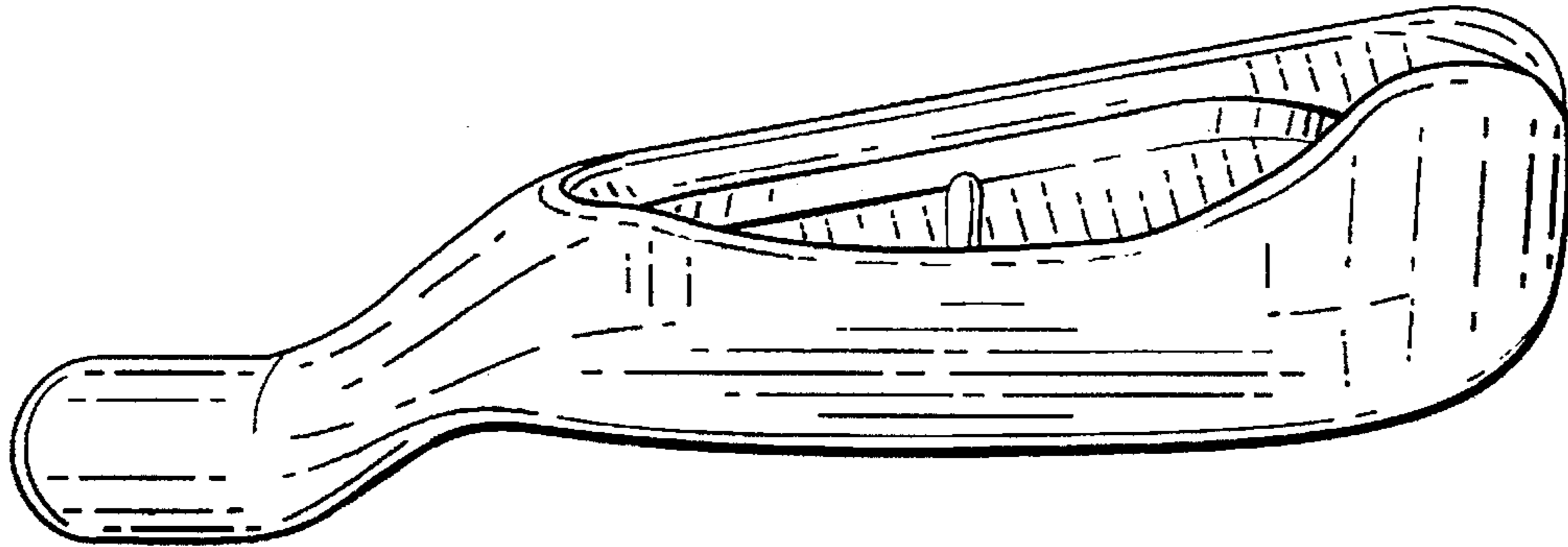


Fig. 5

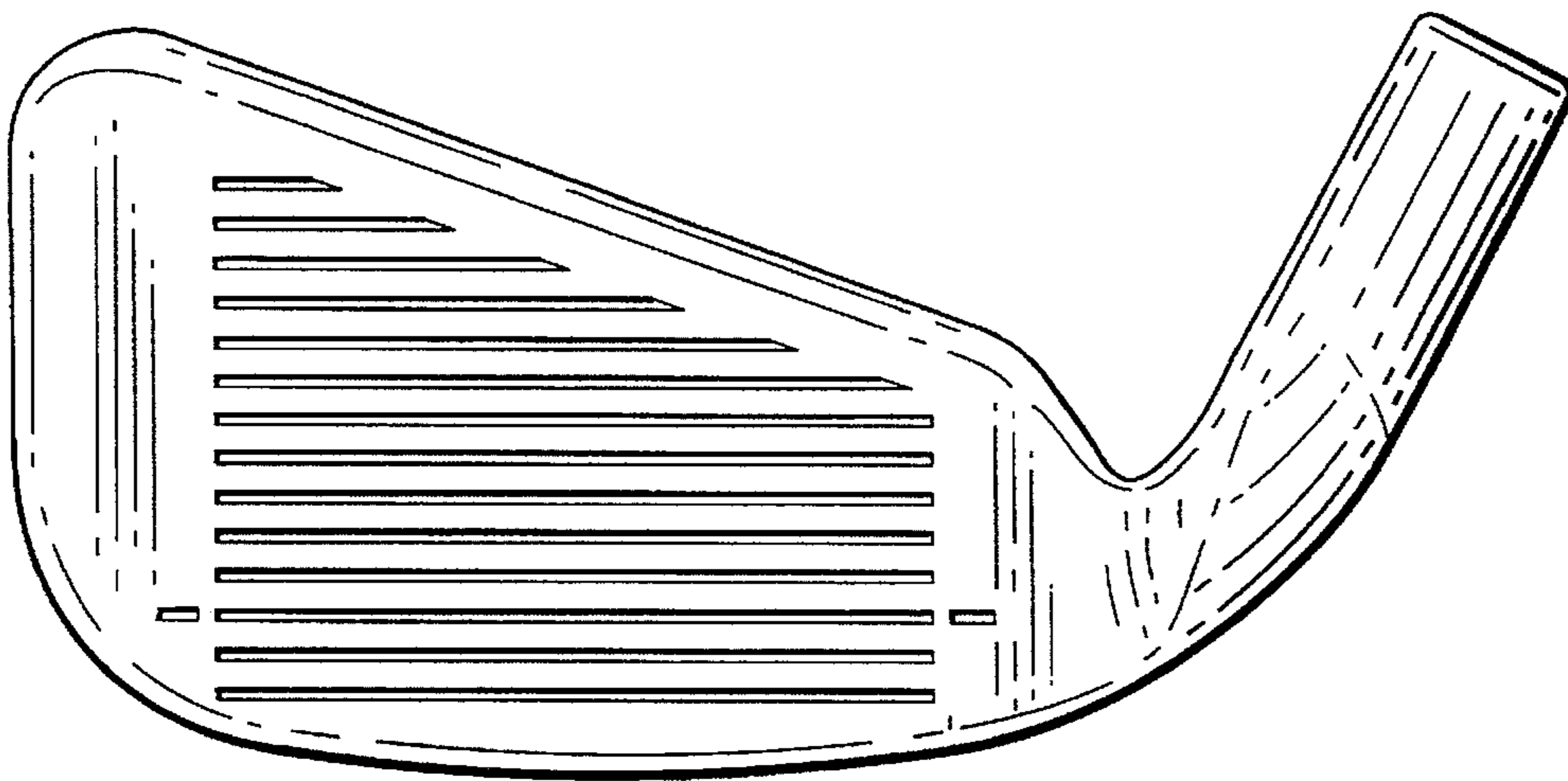


Fig. 6

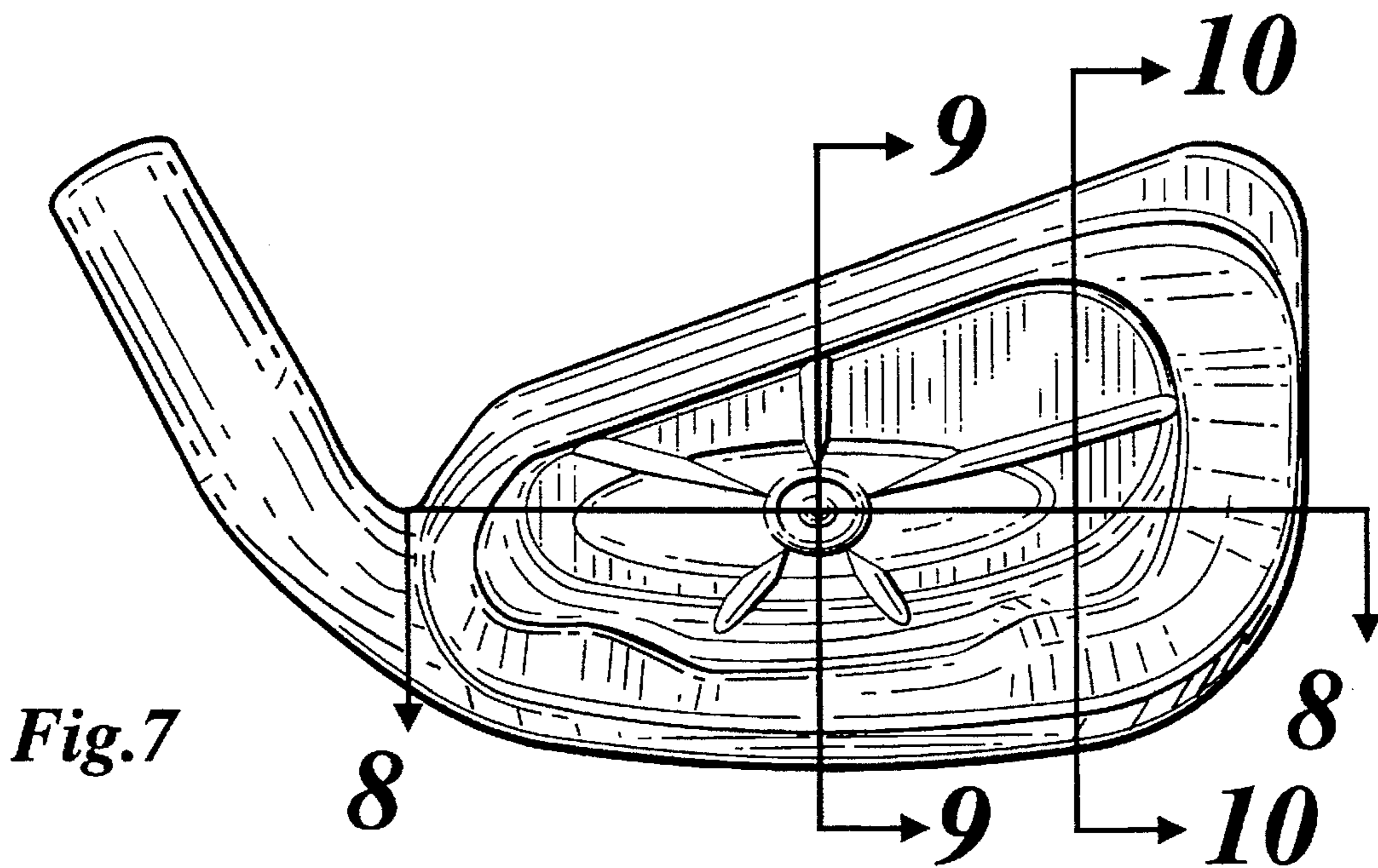
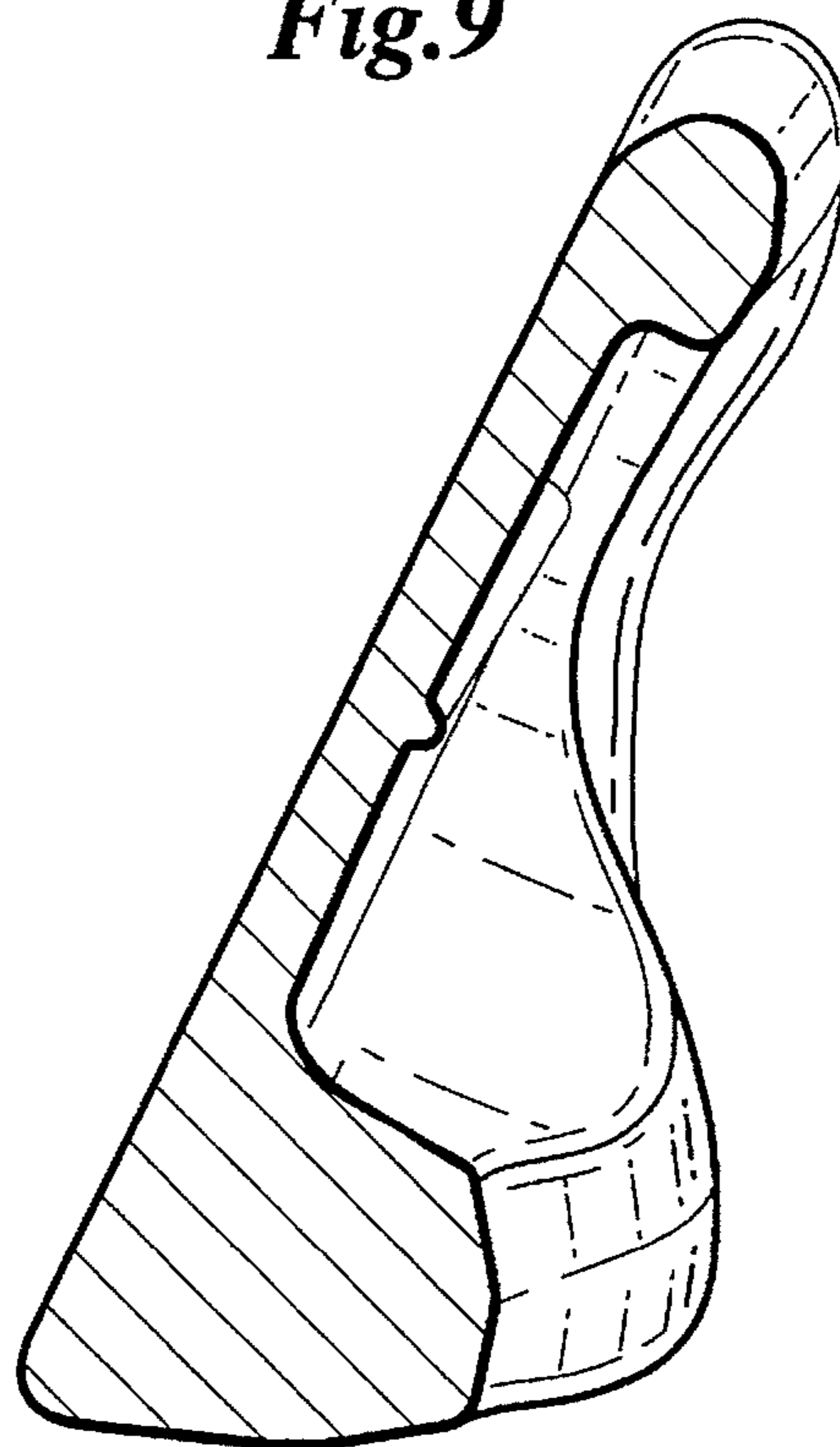
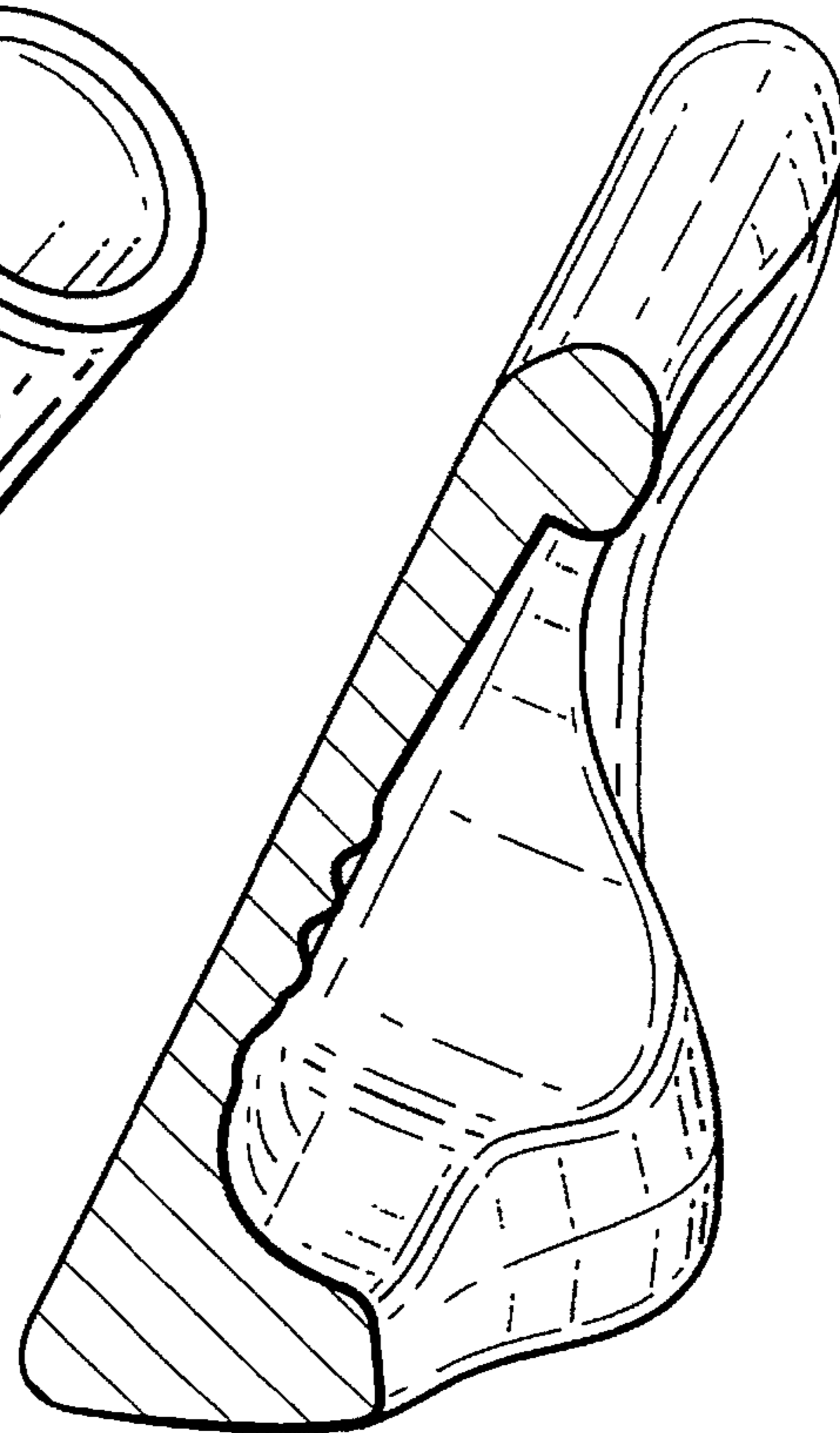
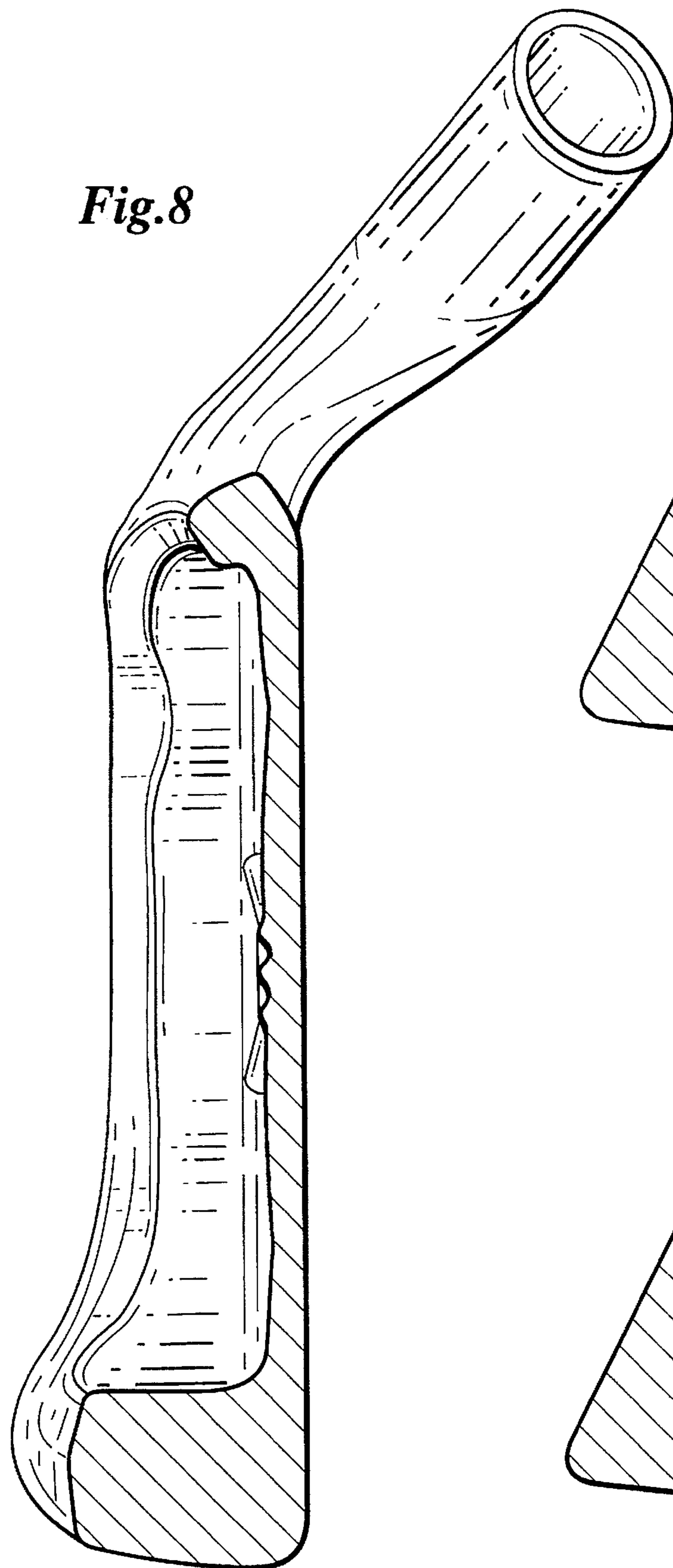


Fig. 7



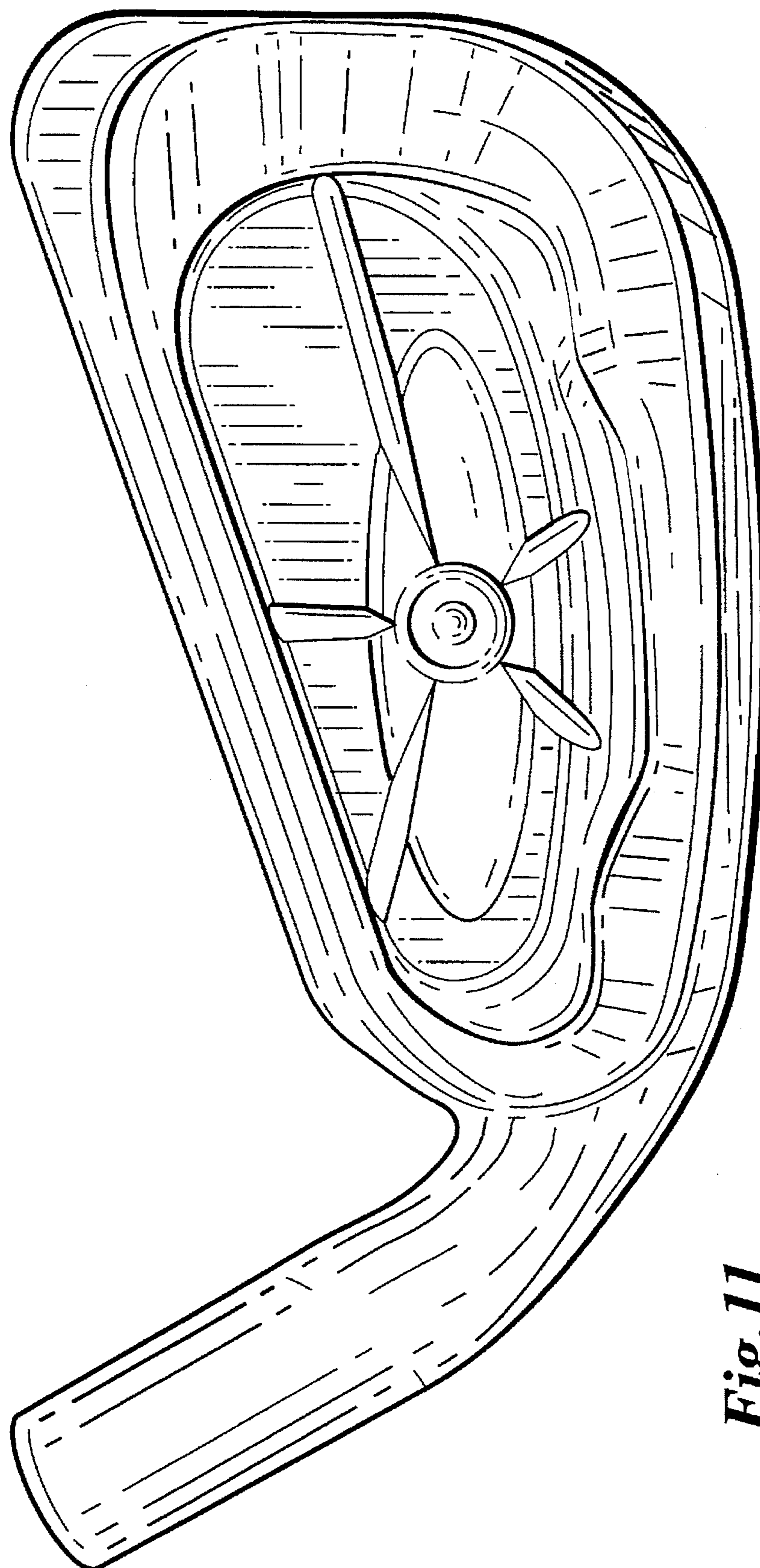


Fig. 11

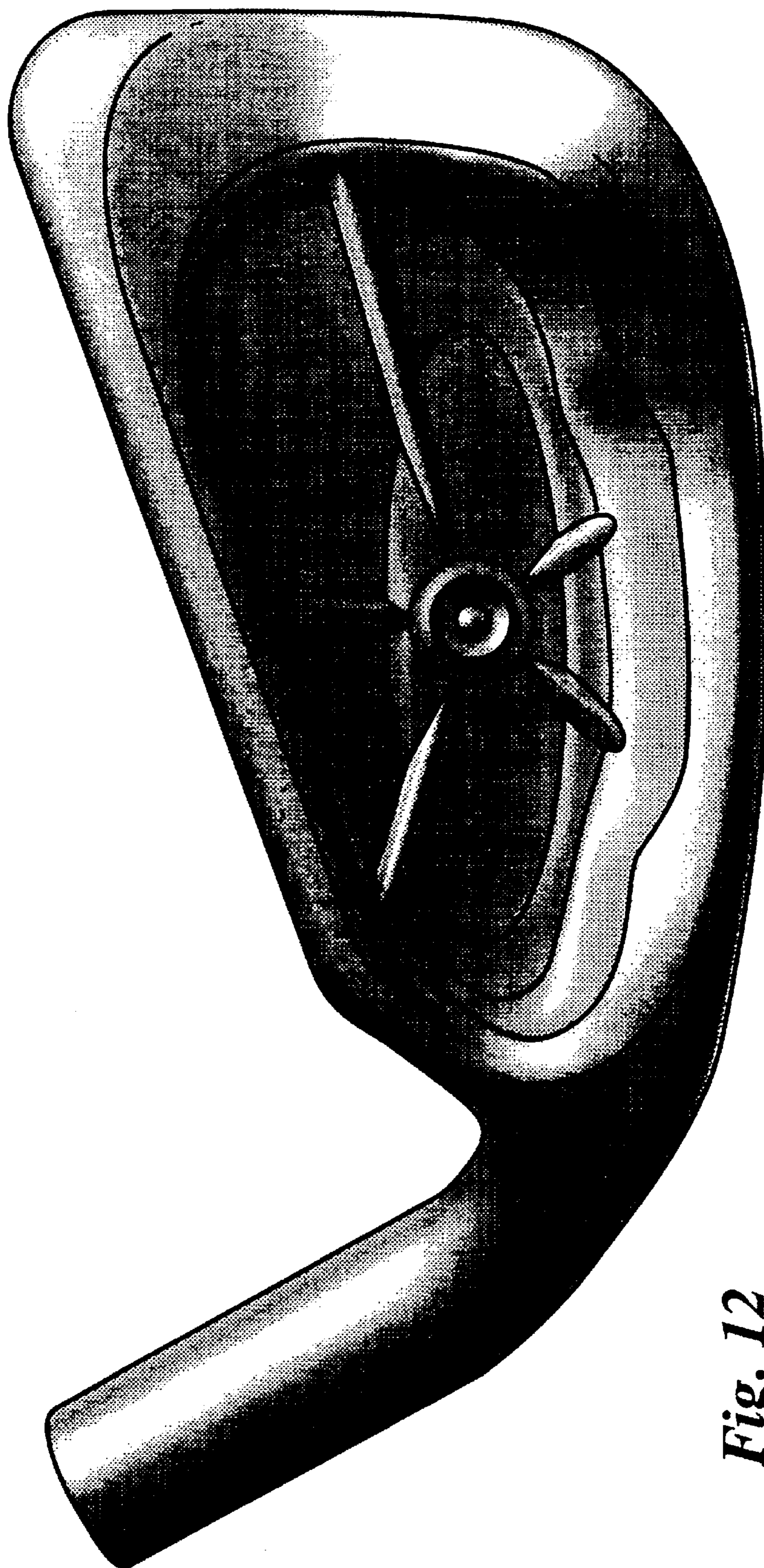


Fig. 12