



US00D379386S

United States Patent [19] Chuang

[11] Patent Number: **Des. 379,386**
[45] Date of Patent: ****May 20, 1997**

[54] TOY CAR

[76] Inventor: **Chuan-Tien Chuang**, No. 40, Lane
174, Da-Shing Street, Tainan, Taiwan

[**] Term: **14 Years**

[21] Appl. No.: **51,491**

[22] Filed: **Mar. 12, 1996**

[51] LOC (6) Cl. **21-01**

[52] U.S. Cl. **D21/137**

[58] Field of Search D21/71-81, 128,
D21/131-140; D12/87, 88; 446/470, 471,
440, 76, 78, 80, 313, 426, 428, 454; 280/87.021,
87.01, 1.22, 1.13, 827, 828

[56] **References Cited**

U.S. PATENT DOCUMENTS

D. 215,167	9/1969	Campbell	D21/137
D. 221,094	7/1971	Greenwood	D21/137
D. 296,224	6/1988	Nakao et al.	D21/128
D. 301,263	5/1989	Ishizawa	D21/136

D. 342,977	1/1994	Appel	D21/131
3,791,662	2/1974	Glass et al.	280/87.021
4,655,727	4/1987	Swisher et al.	446/470
5,292,275	3/1994	Swisher et al.	446/471
5,372,534	12/1994	Levy et al.	446/470

Primary Examiner—Raphael Barkai
Attorney, Agent, or Firm—Bacon & Thomas

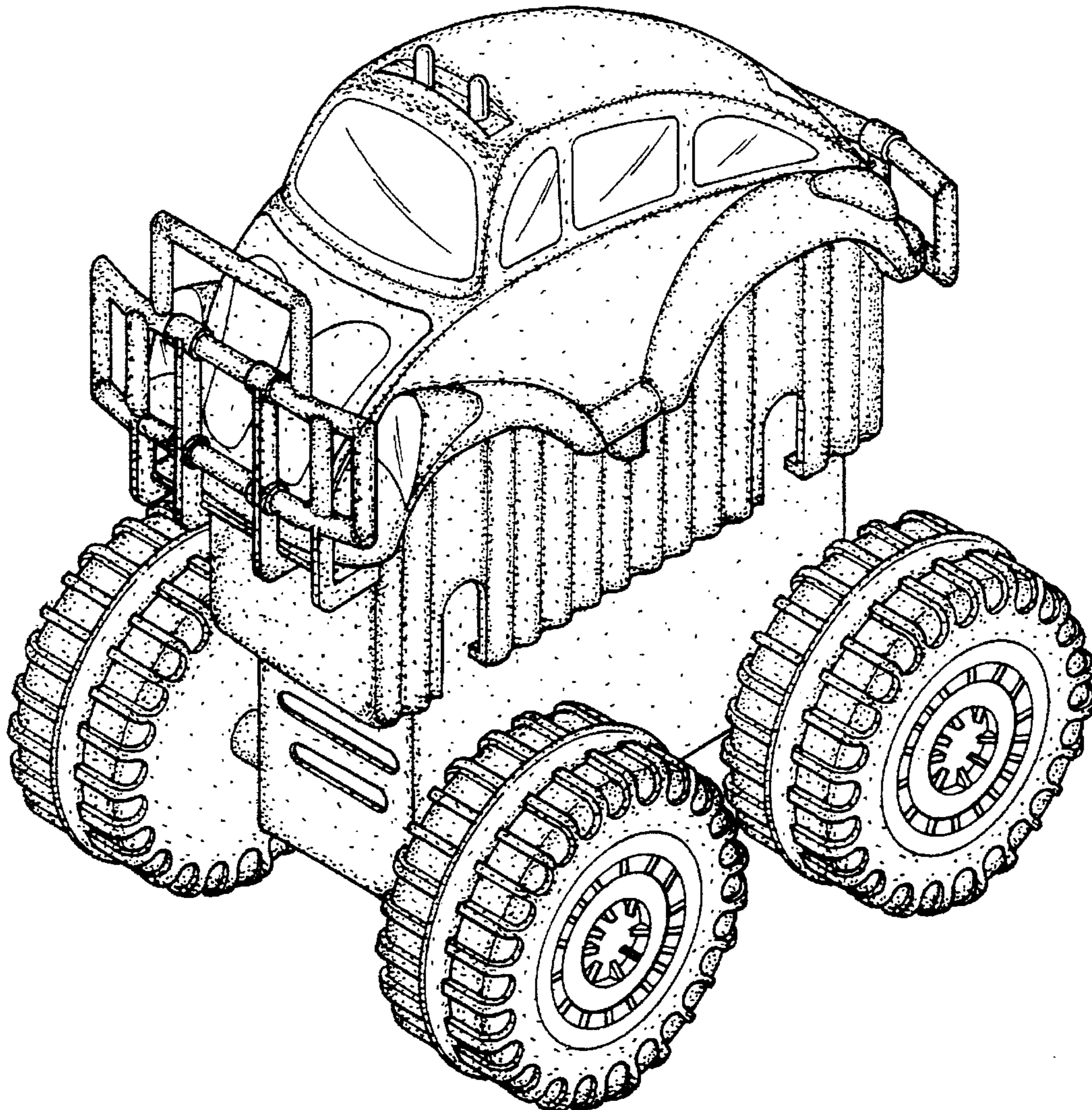
[57] **CLAIM**

The ornamental design for the toy car, as shown and described.

DESCRIPTION

FIG. 1 is a top, front right side perspective view of a toy car showing my new design;
FIG. 2 is a front elevational view;
FIG. 3 is a rear elevational view;
FIG. 4 is a left side elevational view;
FIG. 5 is a right side elevational view;
FIG. 6 is a top plan view; and,
FIG. 7 is a bottom plan view thereof.

1 Claim, 7 Drawing Sheets



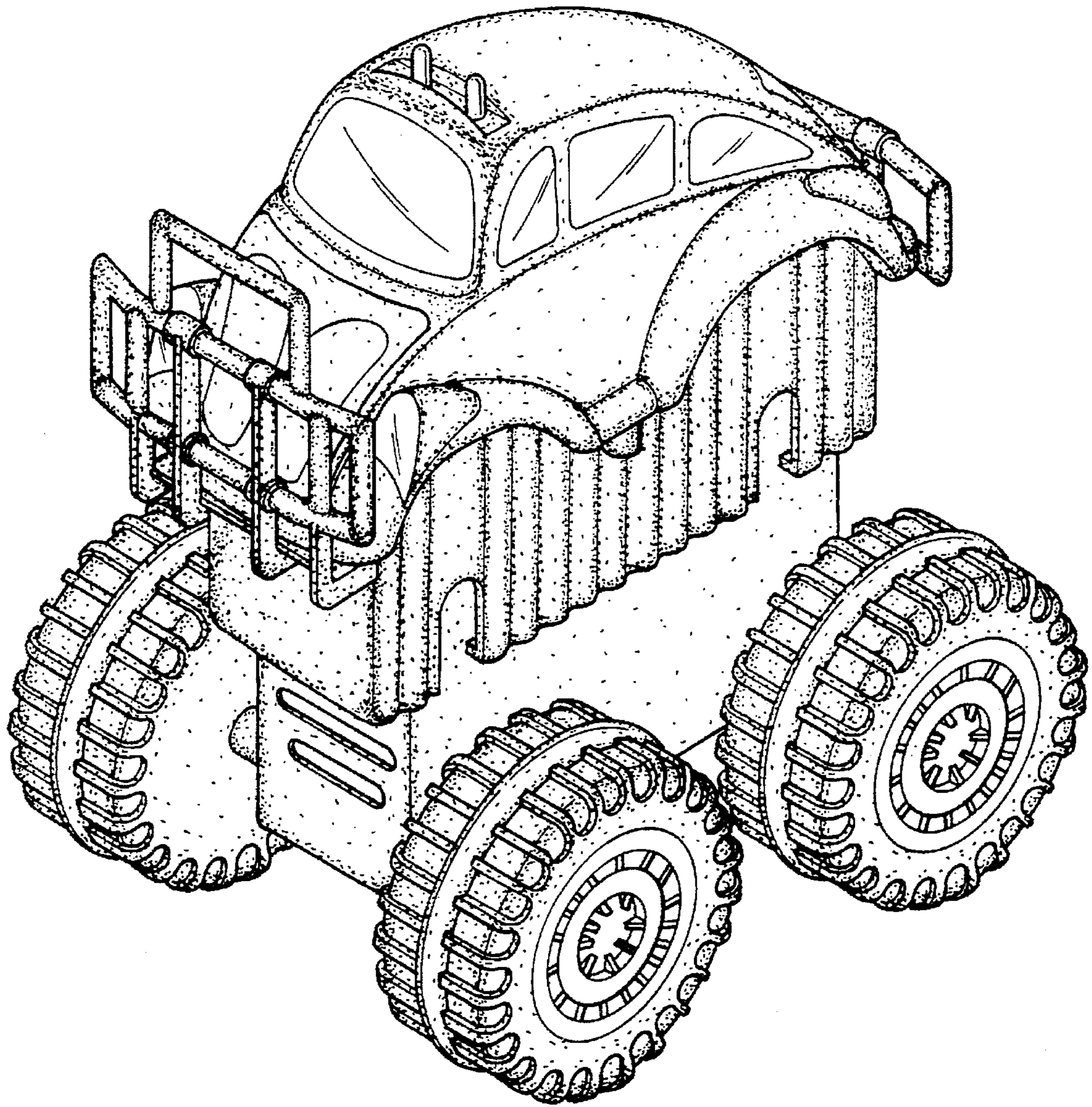


FIG. 1

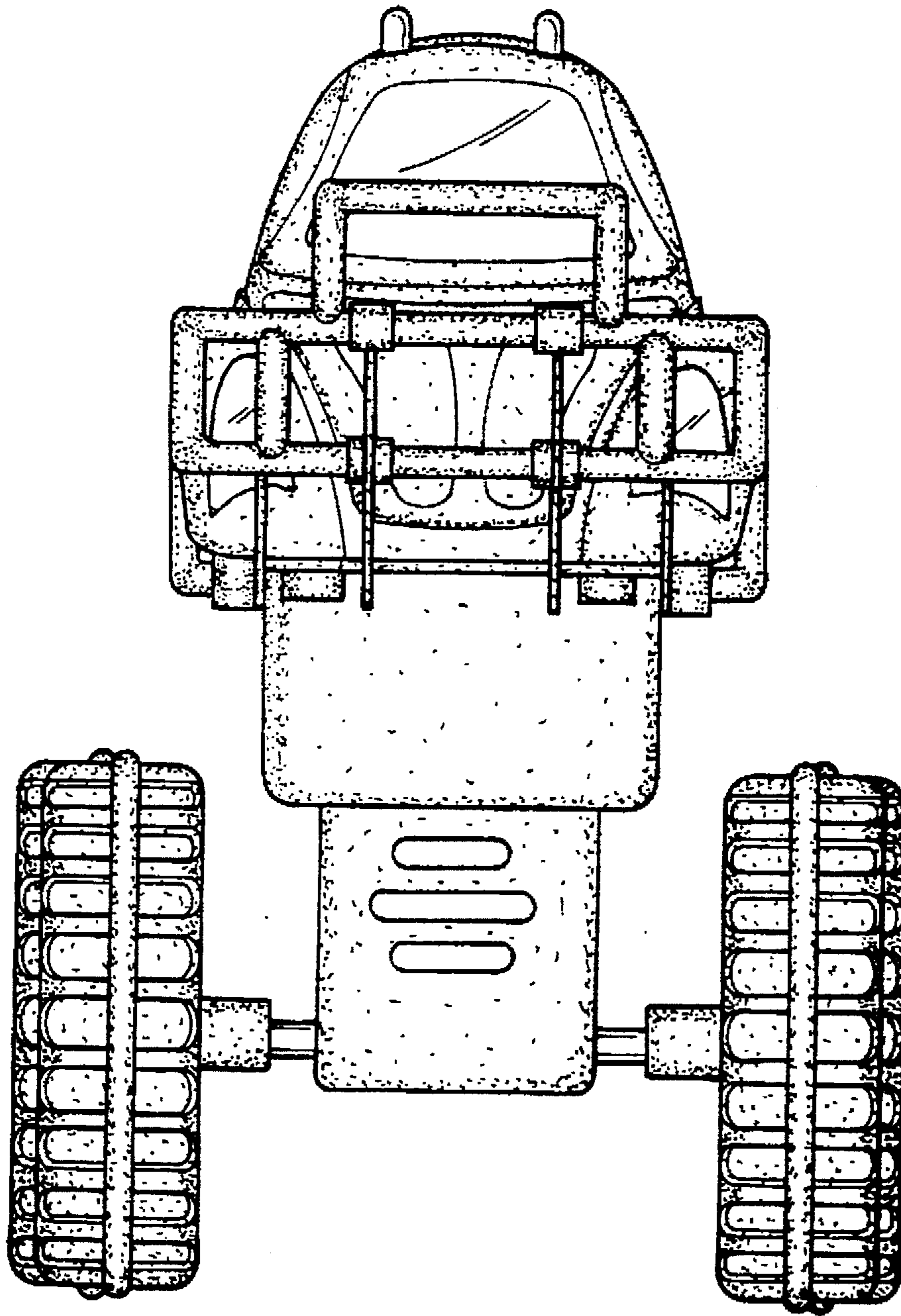


FIG. 2

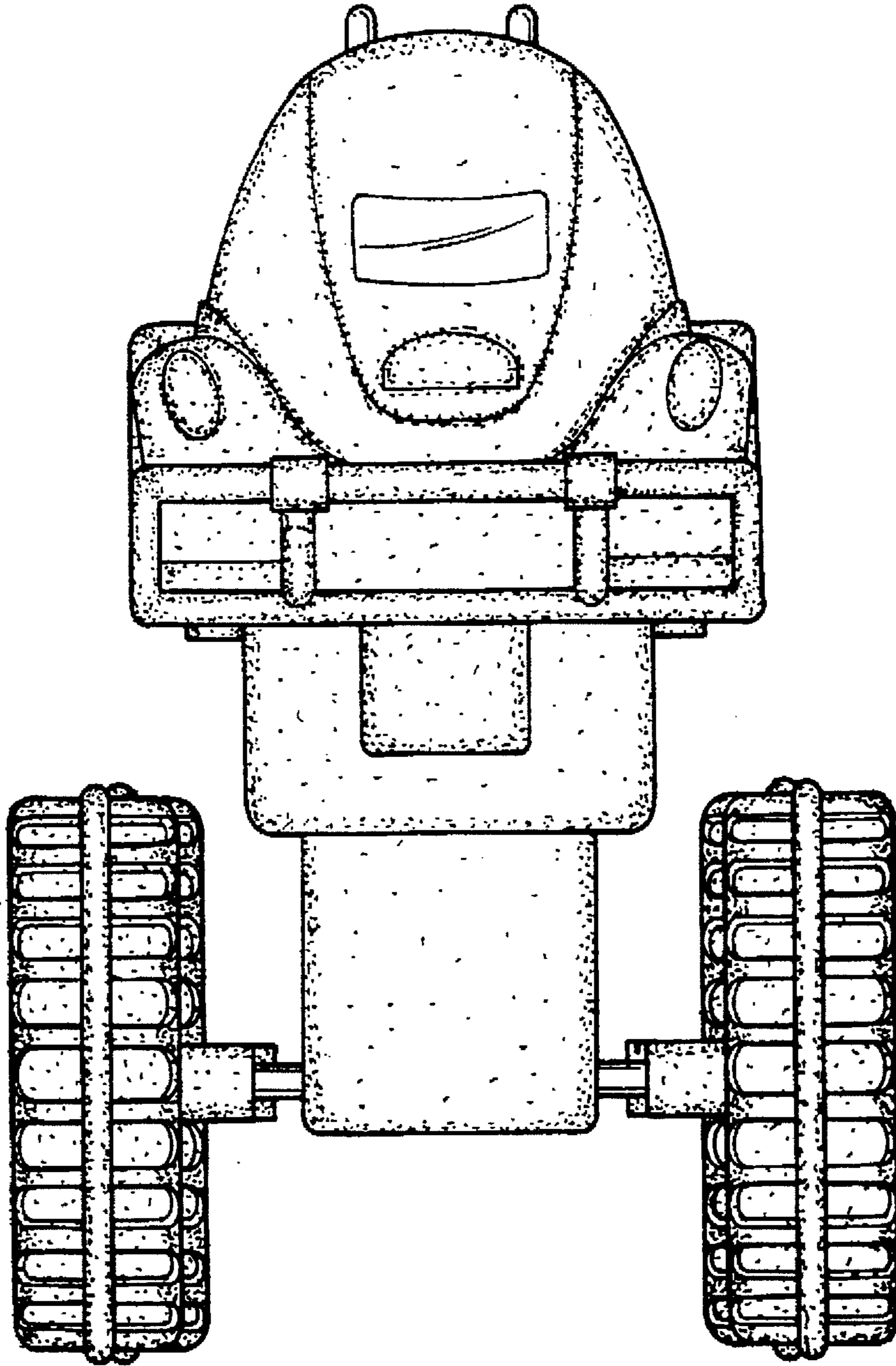


FIG. 3

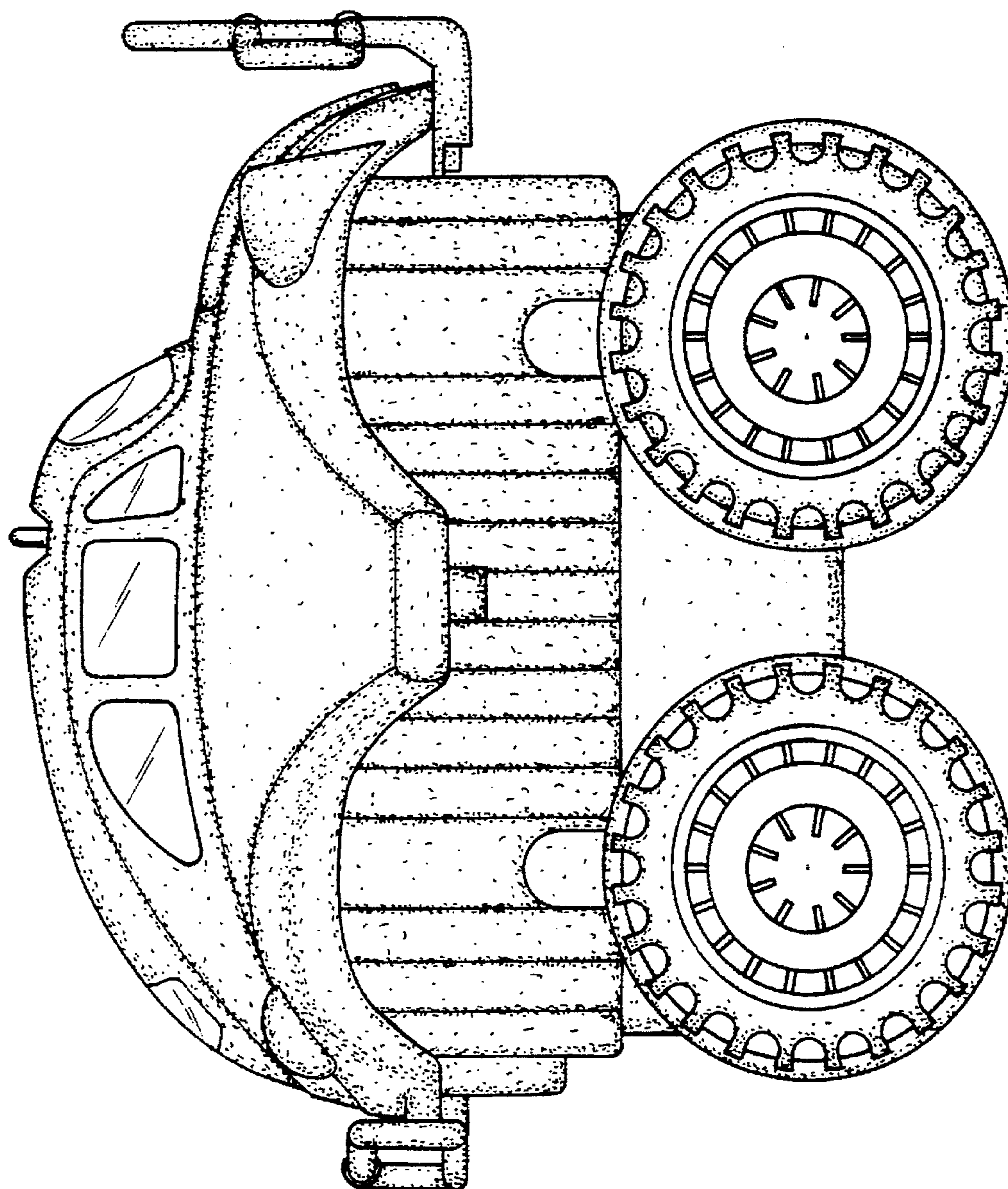


FIG. 4

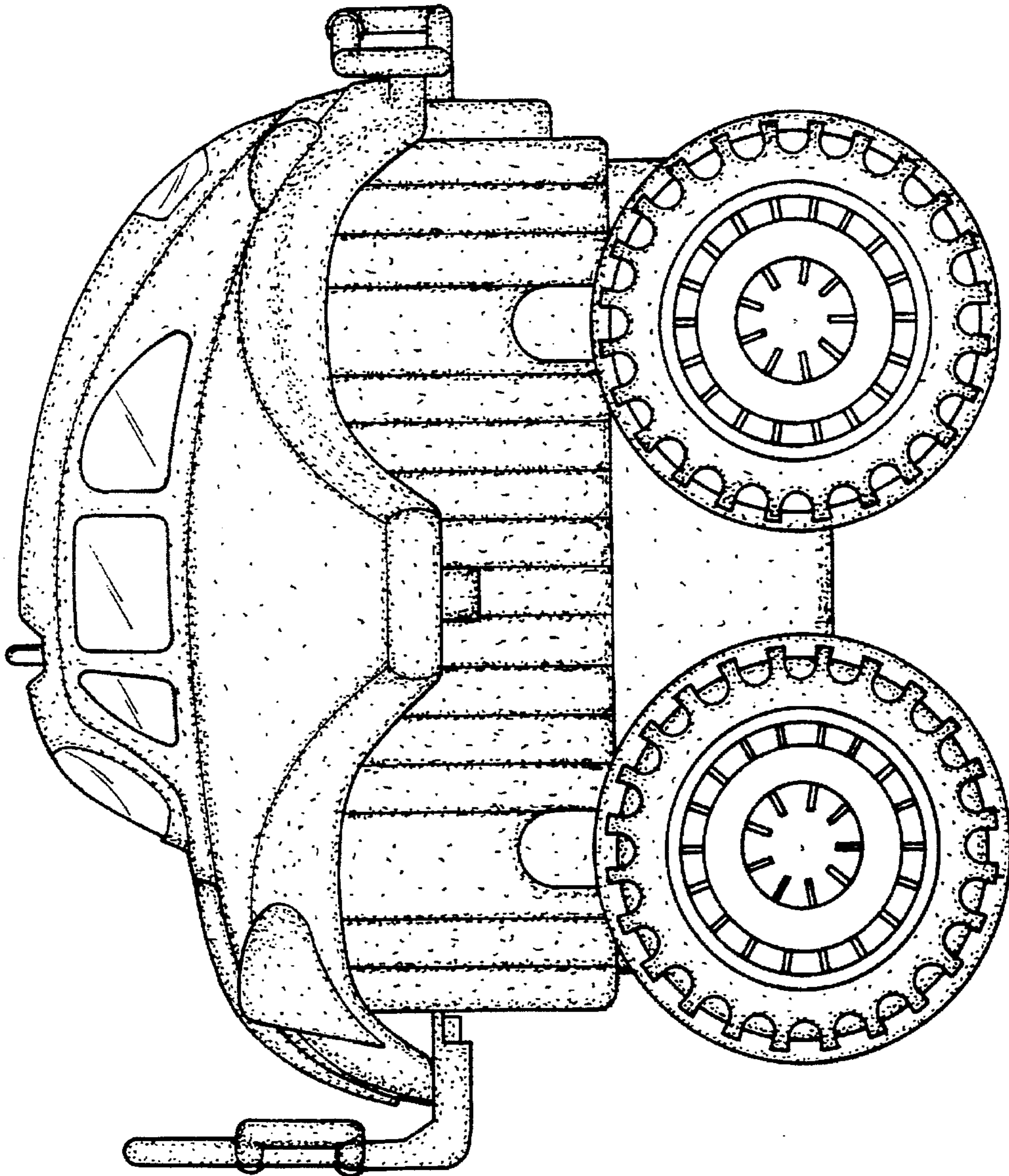


FIG. 5

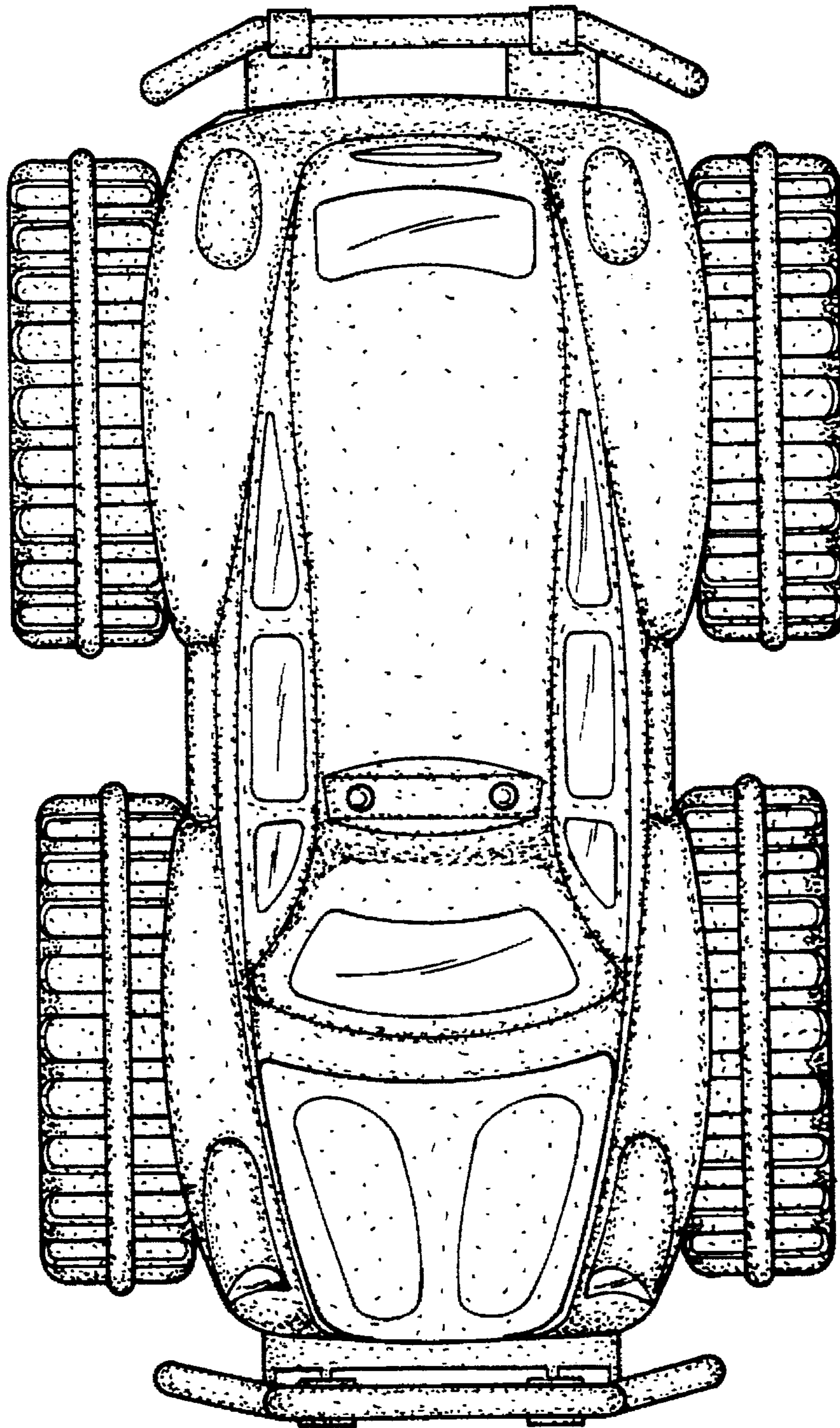


FIG. 6

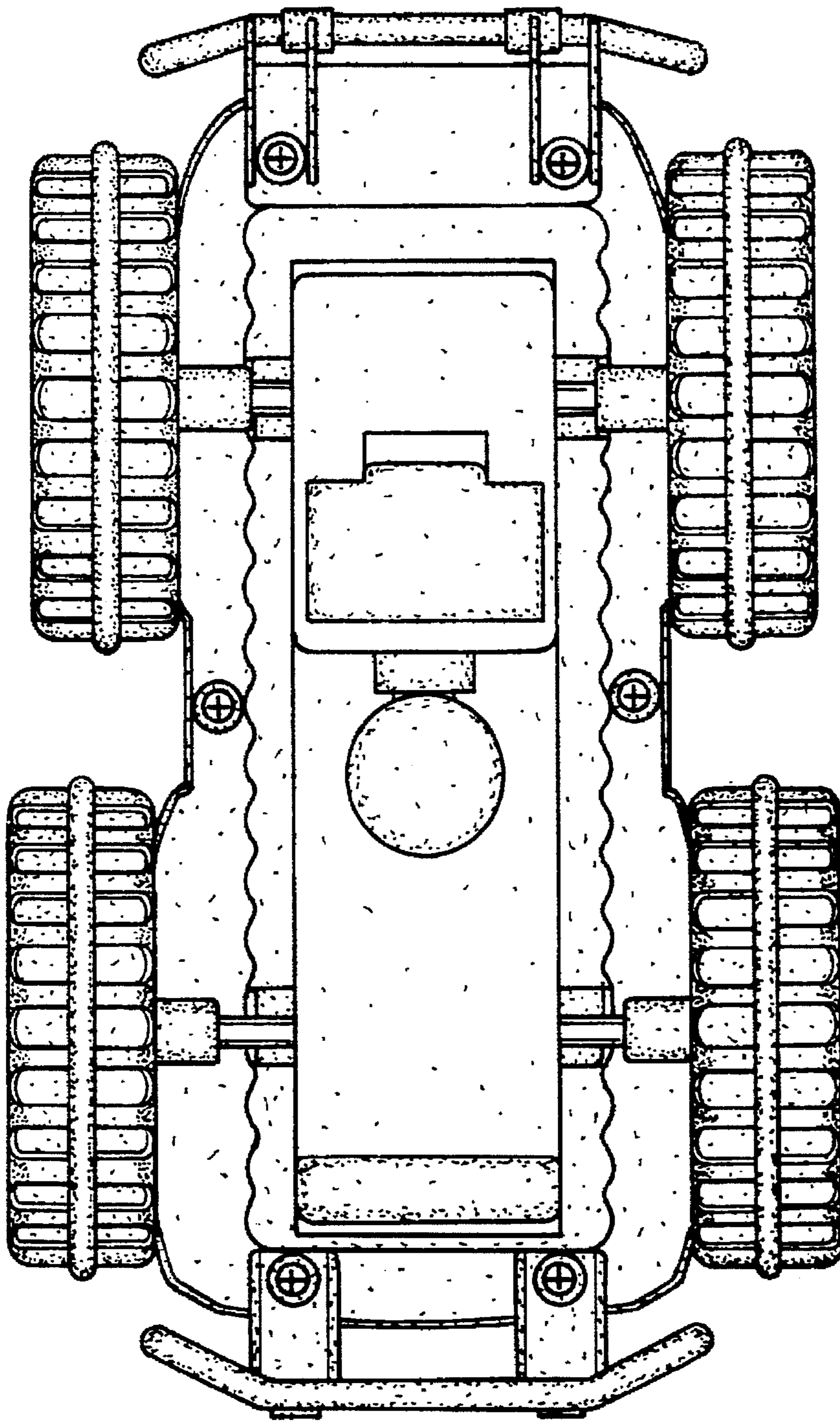


FIG. 7