



US00D379368S

United States Patent [19] Harden

[11] Patent Number: **Des. 379,368**
[45] Date of Patent: ****May 20, 1997**

[54] **STAMPER**

[75] Inventor: **Dan Harden**, Palo Alto, Calif.

[73] Assignee: **Shachihata Inc.**, Aichi-ken, Japan

[**] Term: **14 Years**

[21] Appl. No.: **51,128**

[22] Filed: **Mar. 4, 1996**

[30] **Foreign Application Priority Data**

Sep. 7, 1995 [JP] Japan Des.26522/1995

[51] LOC (6) Cl. **19-02**

[52] U.S. Cl. **D18/15**

[58] Field of Search D18/18, 16, 15,
D18/17; 118/264, 268; 101/333, 327, 405,
406

[56] **References Cited**

U.S. PATENT DOCUMENTS

- D. 233,174 10/1974 Funahashi D18/15
- D. 280,644 9/1985 Ichikawa D18/15
- D. 284,014 5/1986 Iwasaki et al. D18/15

- 1,069,468 8/1913 Rathburn 101/406
- 2,234,422 3/1941 Wiswell 101/333
- 4,029,012 6/1977 Smith, III et al. D18/15
- 5,014,617 5/1991 Lesyk 101/333

Primary Examiner—Louis S. Zarfes
Assistant Examiner—Frank Martinez
Attorney, Agent, or Firm—Keck, Mahin & Cate

[57] **CLAIM**

The ornamental design for a stamper, as shown.

DESCRIPTION

FIG. 1 is a perspective view of a stamper embodying my design;
FIG. 2 is a front elevational view of the stamper of FIG. 1;
FIG. 3 is a rear elevational view thereof;
FIG. 4 is a right side elevational view thereof;
FIG. 5 is a top plan view thereof;
FIG. 6 is a bottom plan view thereof;
FIG. 7 is a longitudinal cross-sectional view of the stamper taken along line 7—7 of FIG. 2 and,
FIG. 8 is a cross-sectional view of the stamper taken along line 8—8 of FIG. 4.

1 Claim, 2 Drawing Sheets

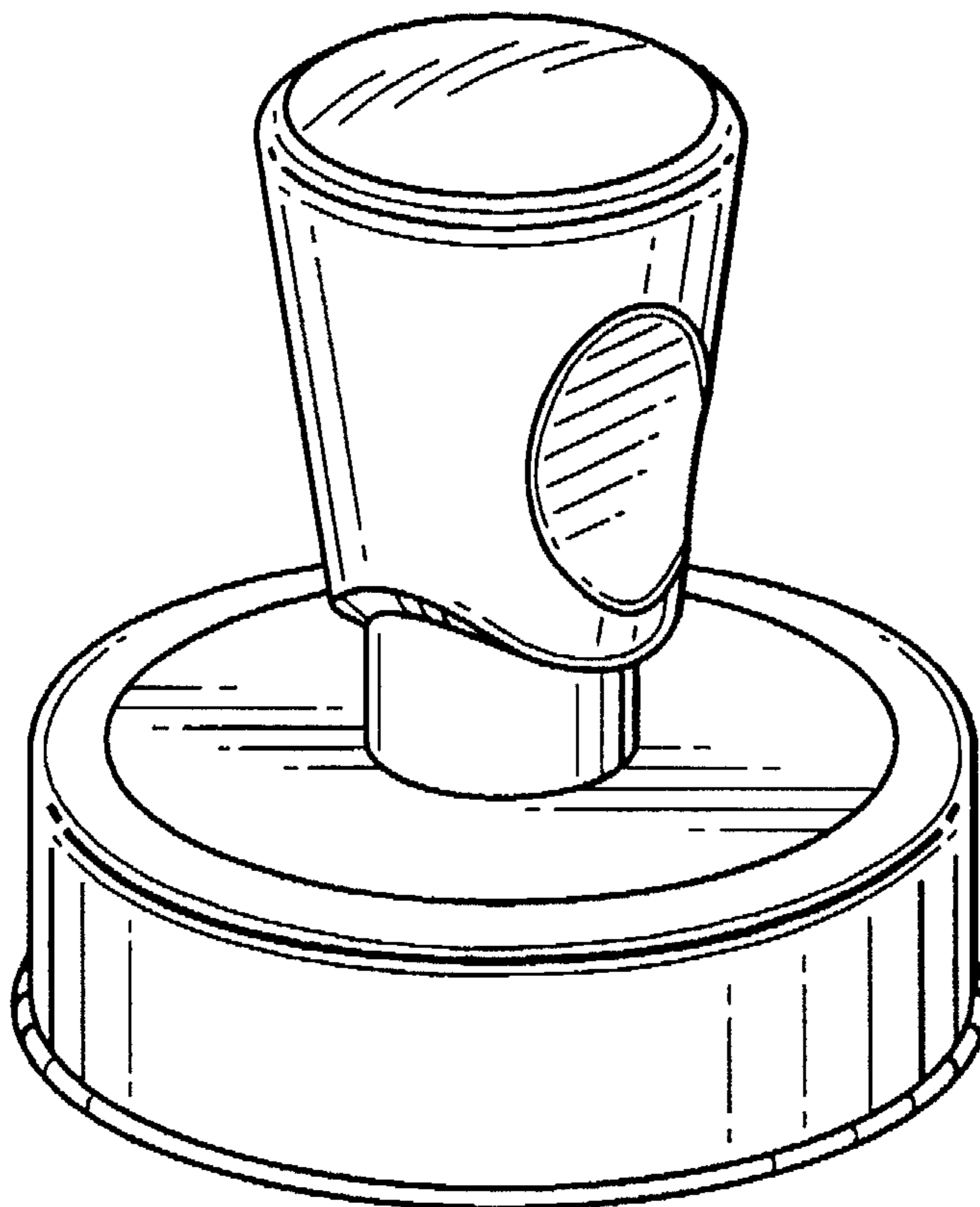


FIG. 1

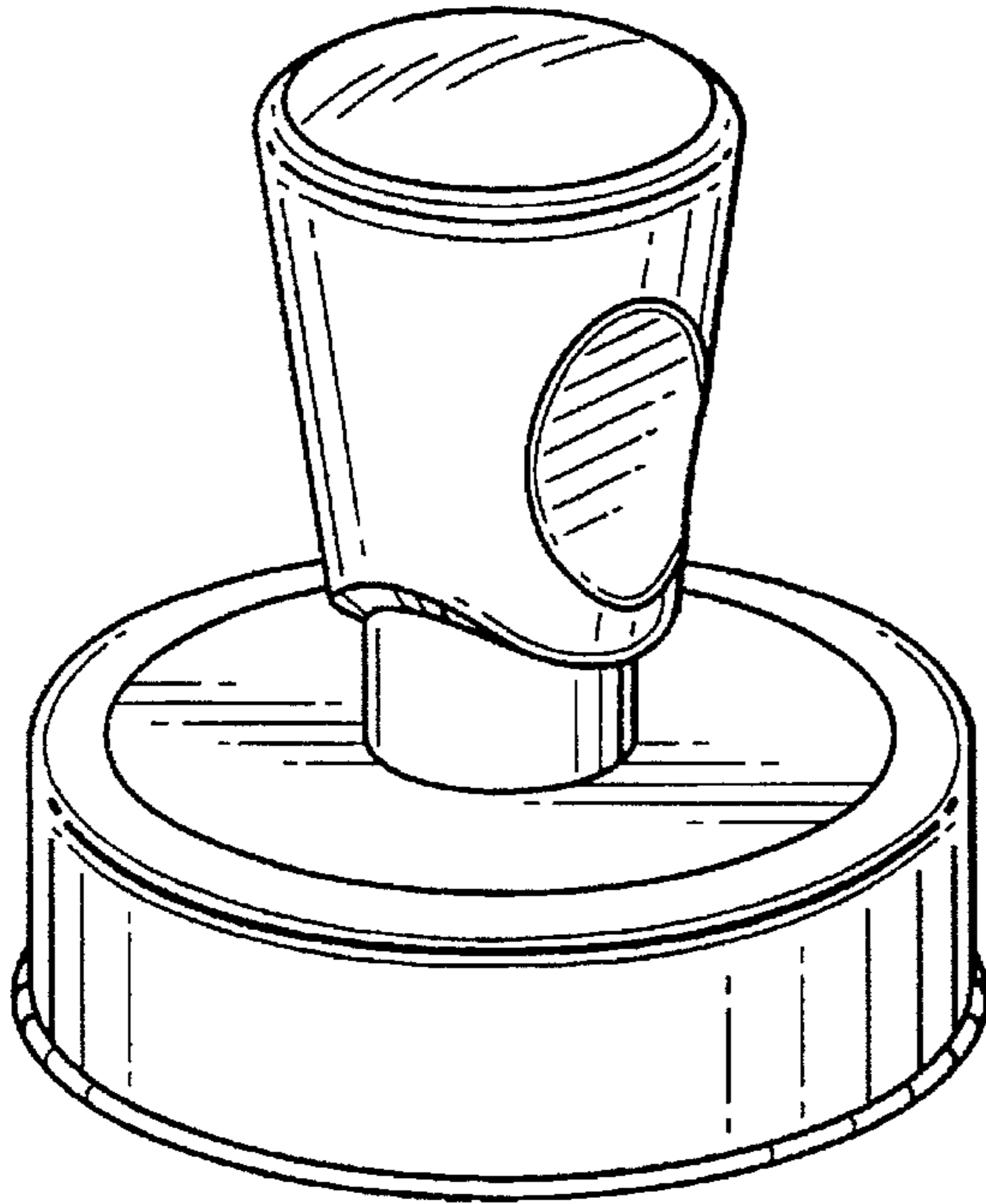


FIG. 2

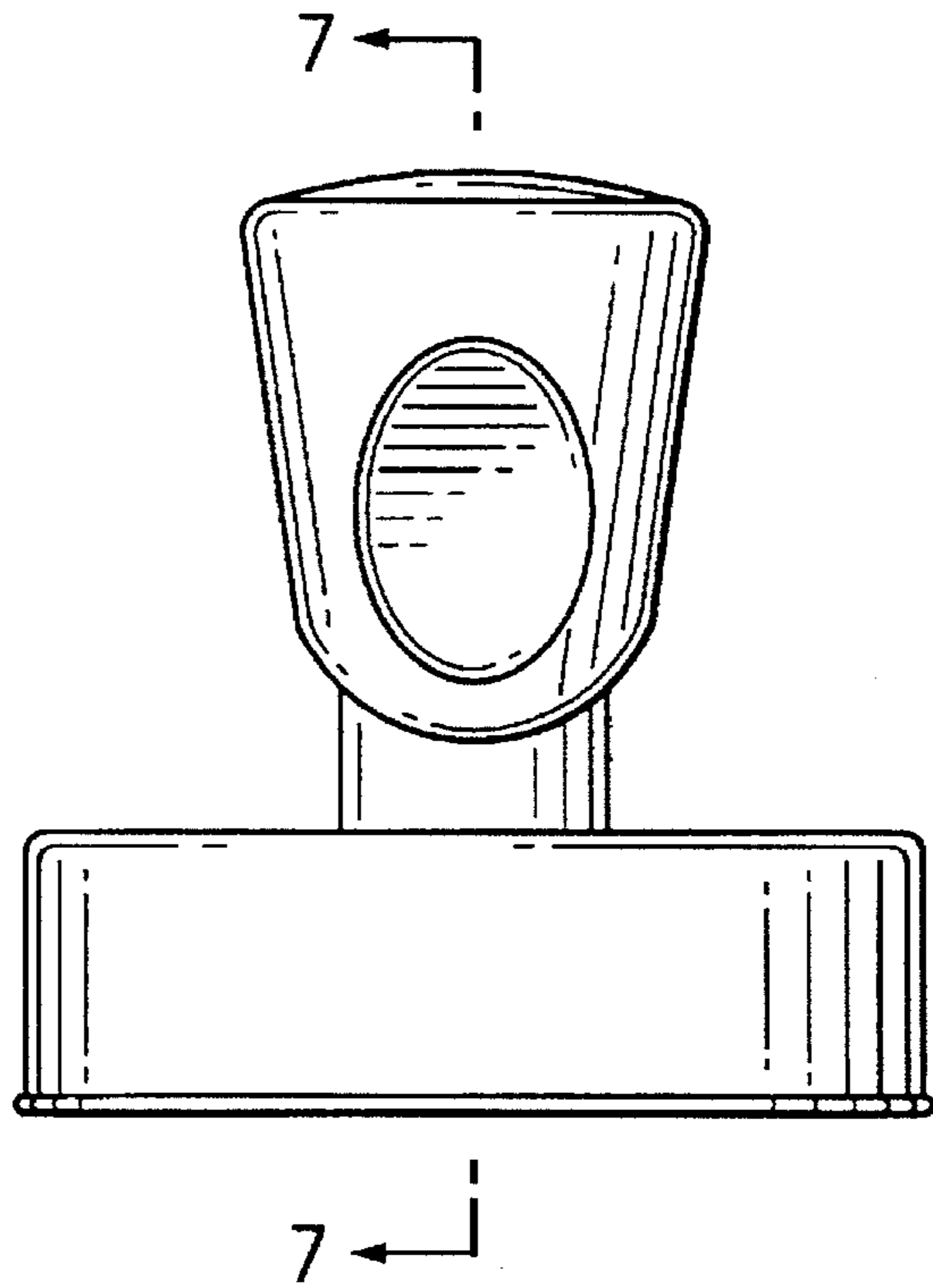


FIG. 3

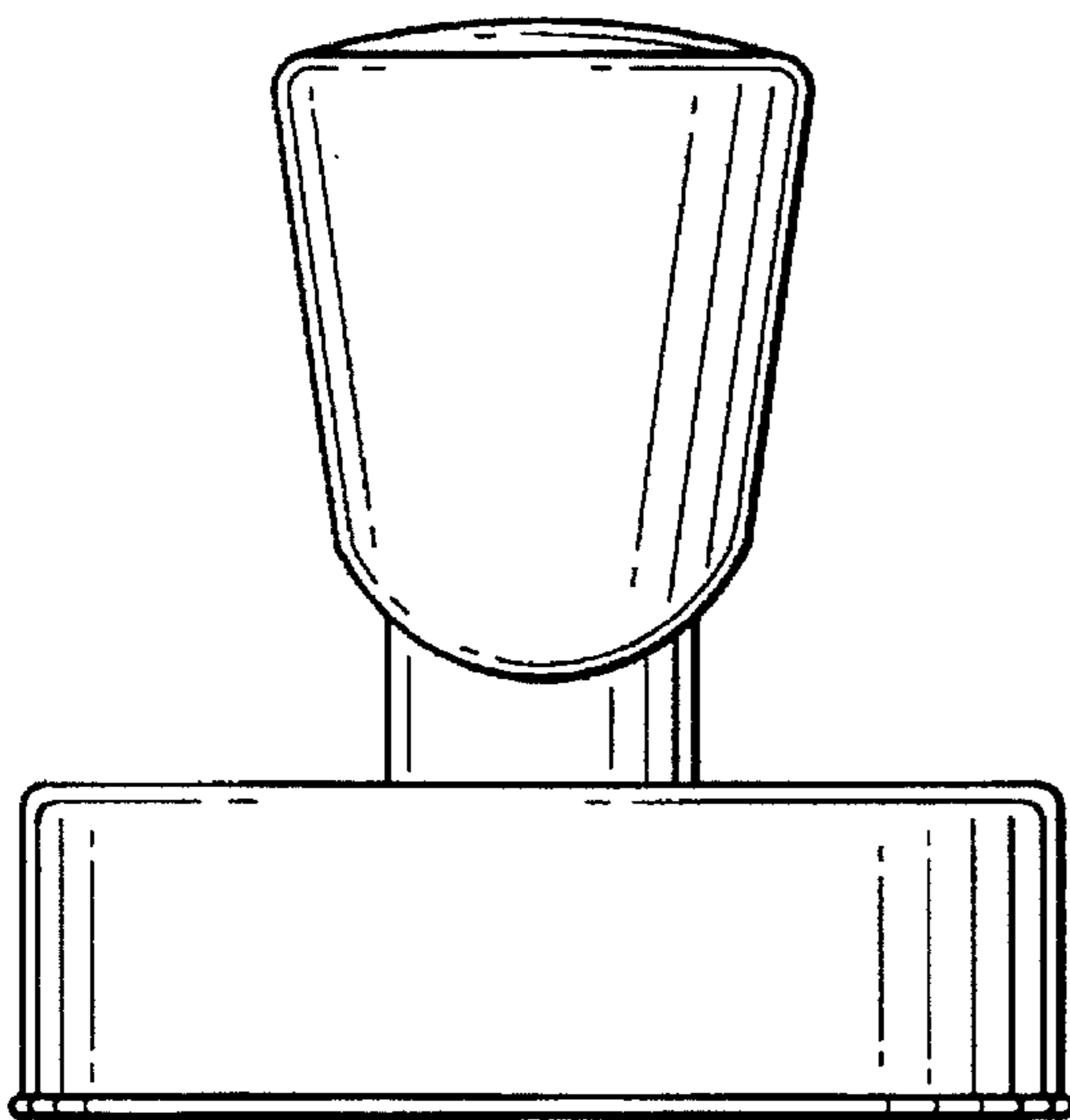


FIG. 4

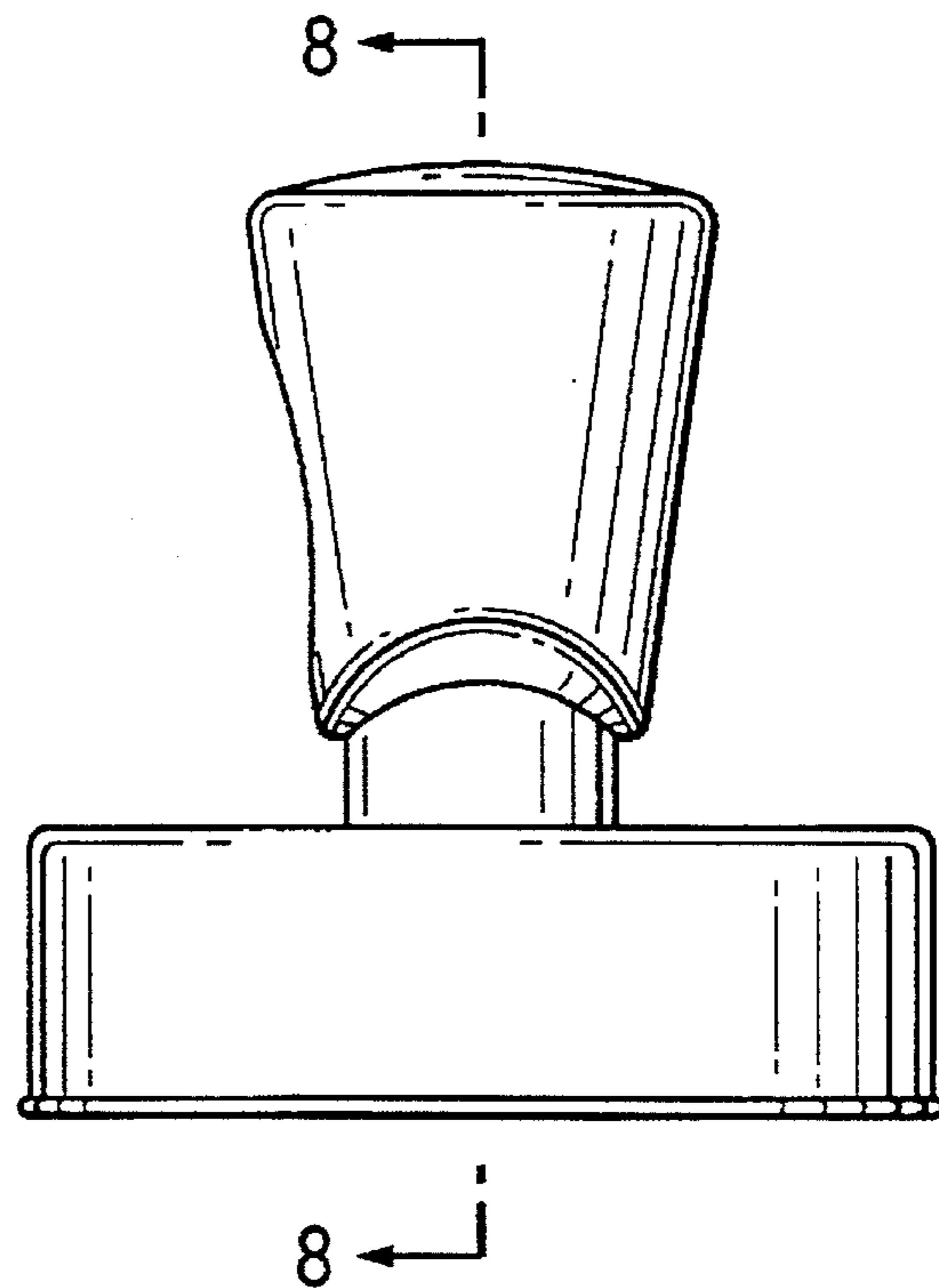


FIG. 5

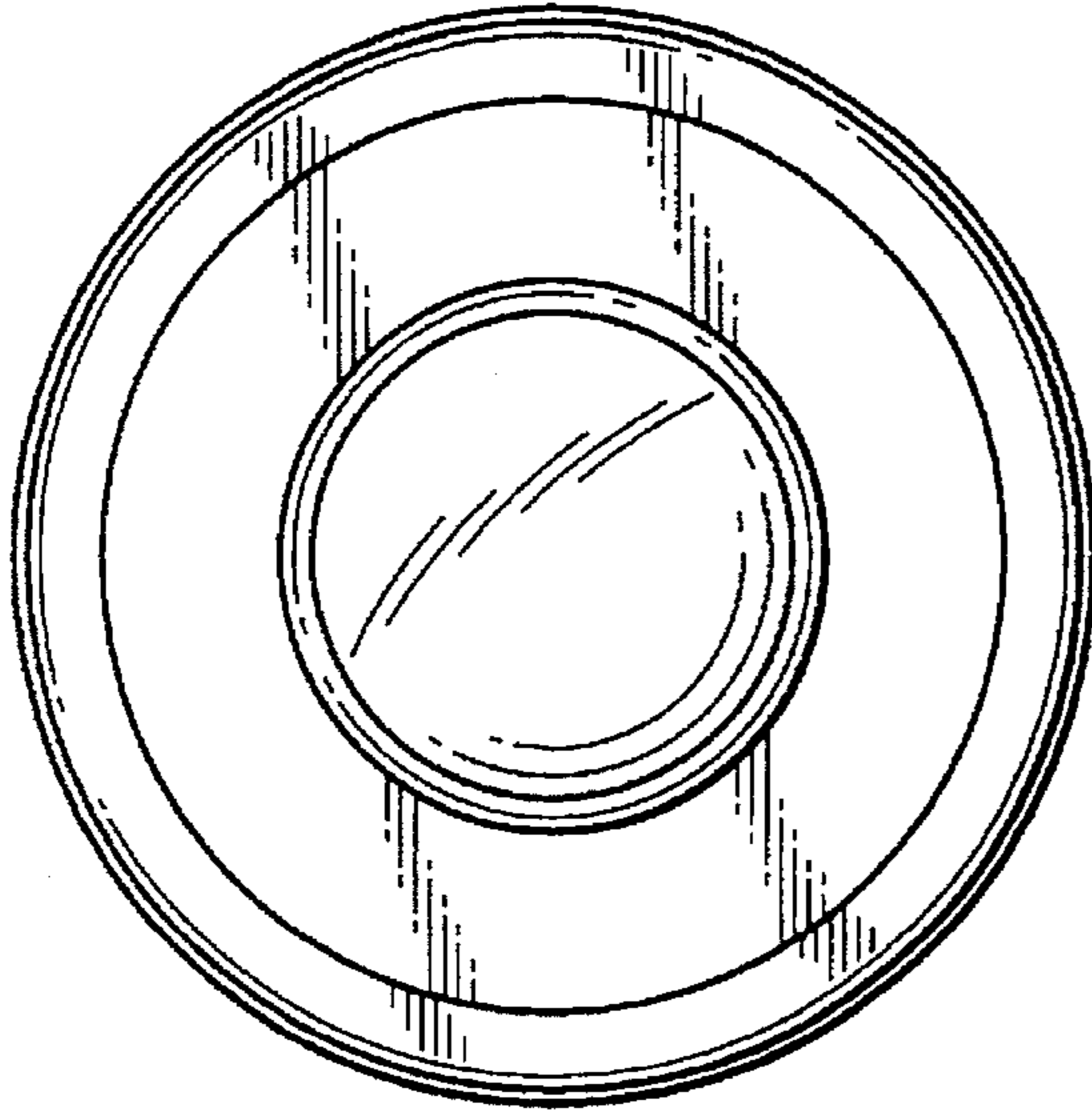


FIG. 6

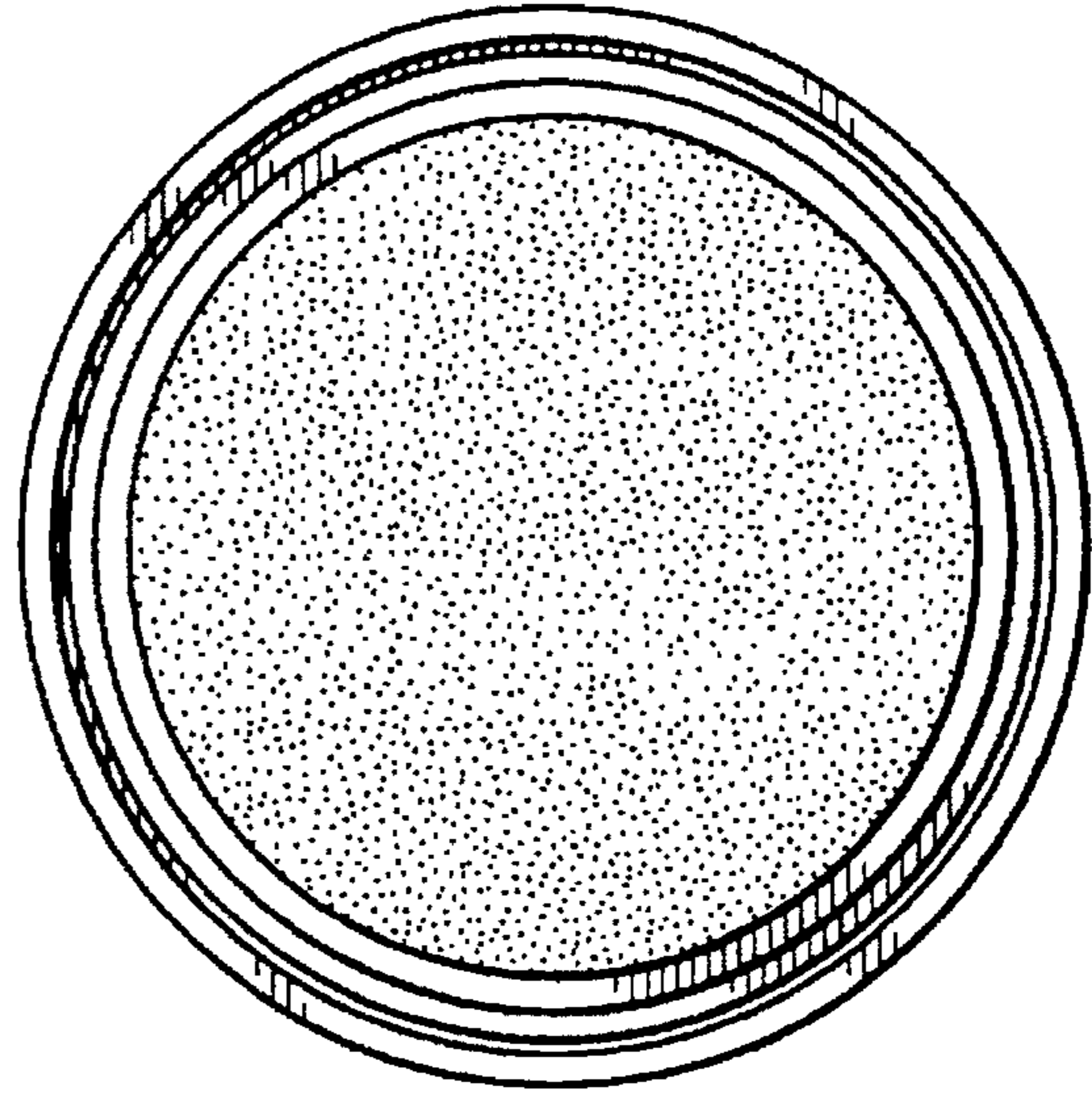


FIG. 7

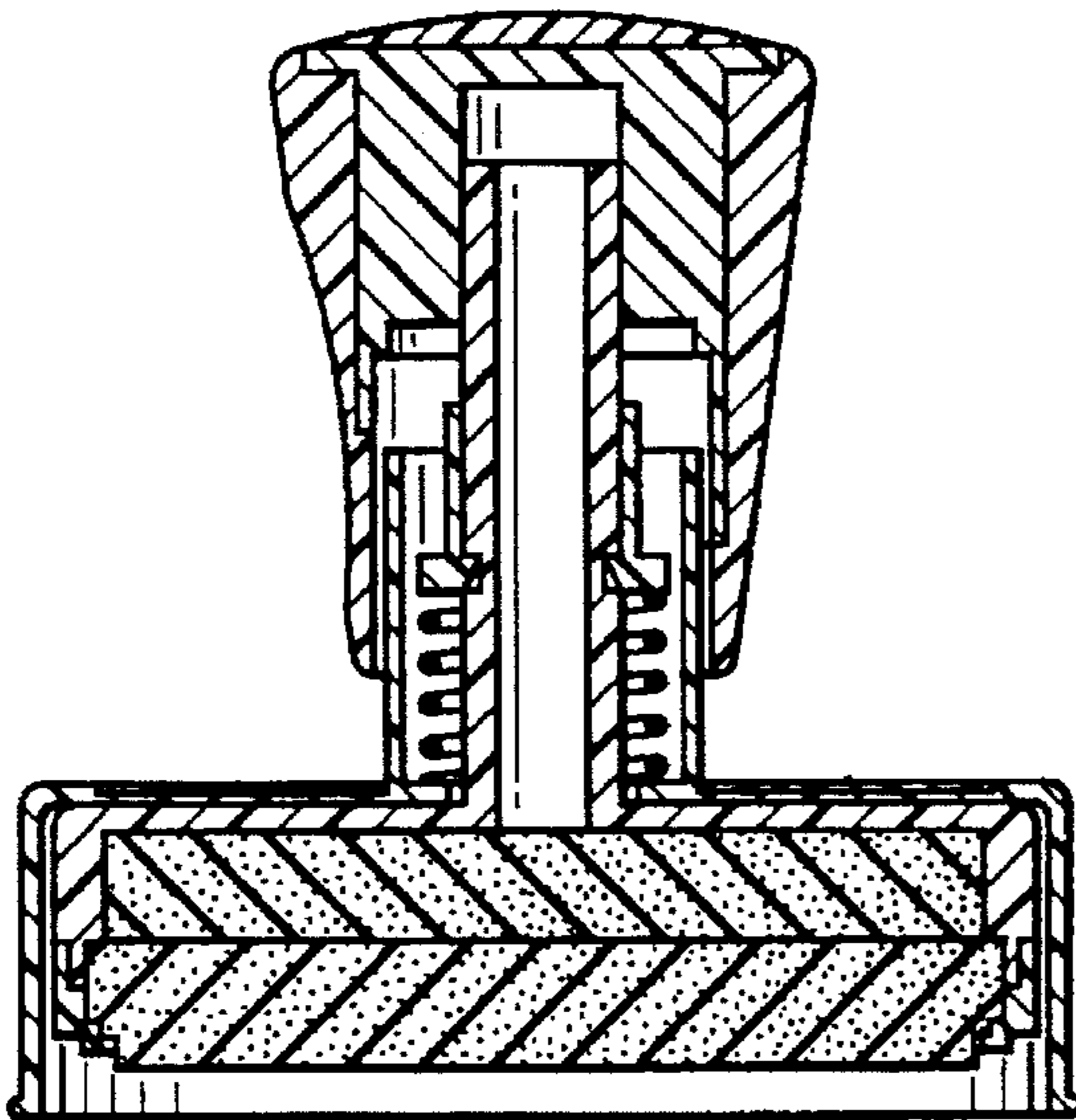


FIG. 8

