



US00D379362S

United States Patent [19]

Marfori et al.

[11] Patent Number: Des. 379,362

[45] Date of Patent: **May 20, 1997

[54] DISPLAY ACCESSORY FOR OVERHEAD PROJECTOR SYSTEM

3,281,977	11/1966	Koontz	40/768
3,537,792	11/1970	Furniss et al.	353/120
4,632,529	12/1986	Levin	353/122

[75] Inventors: **Eddie J. Marfori**, Long Beach; **Damon R. Saddler**, Inglewood; **Greg B. Bergeron**, La Habra; **Brian A. Mehler**, Long Beach, all of Calif.

OTHER PUBLICATIONS

"LCD Panels for Computer/Overhead Display", The Equipment Directory of Video, Computer and Audio-Visual Products, 37th Edition, 1991-92 Catalog page on Transparency, Filmstrip Materials.

[73] Assignee: **Educational Insights, Inc.**, Carson, Calif.

Primary Examiner—Terry A. Wallace
Assistant Examiner—Adir Aronovich
Attorney, Agent, or Firm—Price Gess & Ubell

[**] Term: **14 Years**

[21] Appl. No.: **45,629**

[57] CLAIM

[22] Filed: **Oct. 25, 1995**

The ornamental design for a display accessory for an overhead projector system, as shown and described.

[51] LOC (6) Cl. **16-02**

DESCRIPTION

[52] U.S. Cl. **D16/236; D16/235**

[58] Field of Search D6/300, 302, 308, D6/310-312; D16/221, 225, 232, 235, 236; D18/40; 40/700, 701, 768, 771; 353/61, 66, 98, 119, 120, 122, DIG. 3, DIG. 4, DIG. 5

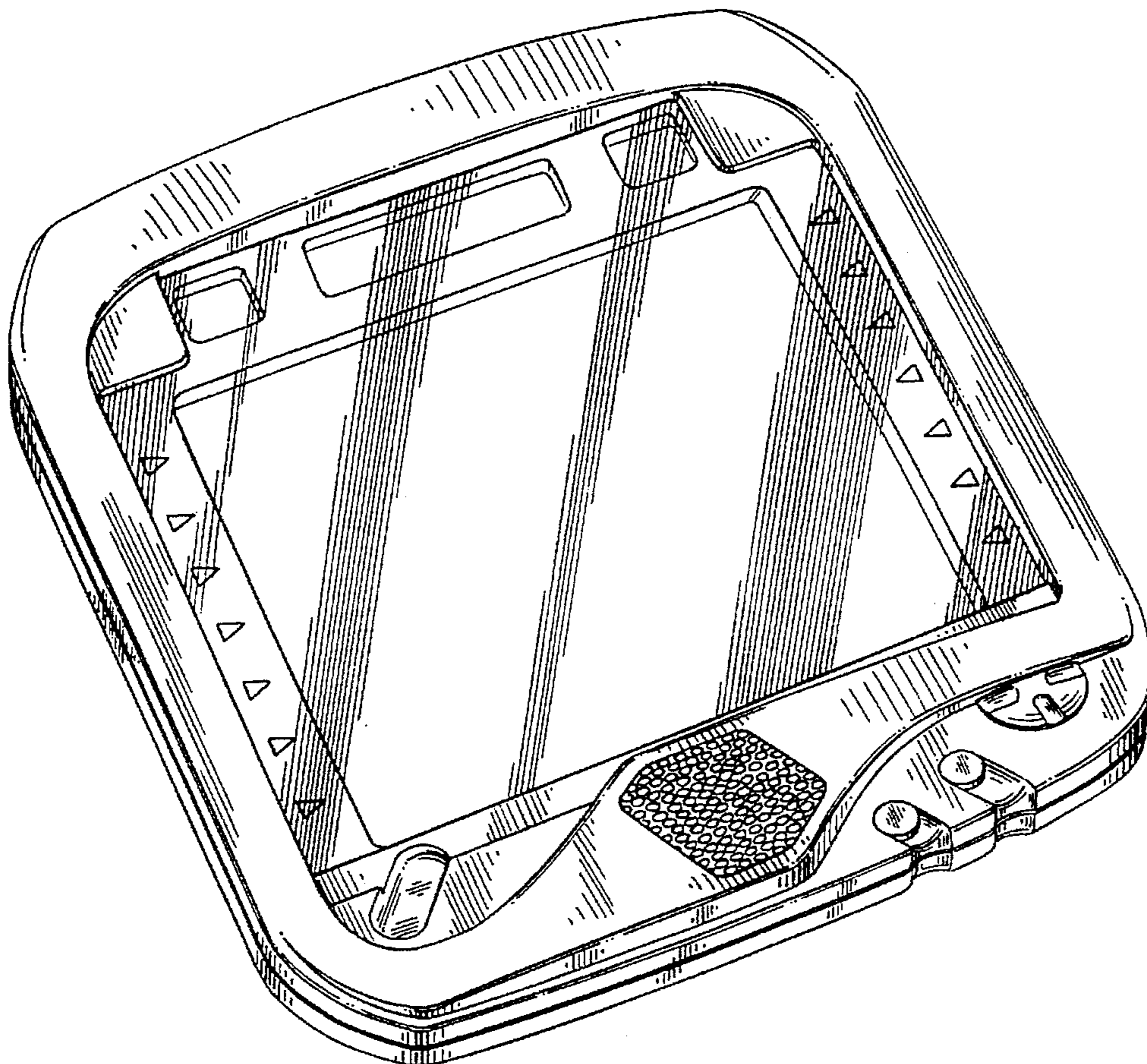
FIG. 1 is a front perspective view of the display accessory for an overhead projector system showing our new design; FIG. 2 is a top plan view thereof; FIG. 3 is a front elevational view which thereof; FIG. 4 is a rear elevational view thereof; FIG. 5 is a left side elevational view thereof; FIG. 6 is a right side elevational view thereof; and, FIG. 7 is a bottom plan view thereof.

[56] References Cited

U.S. PATENT DOCUMENTS

D. 273,959	5/1984	Vandyken, Jr.	D16/236
D. 321,361	11/1991	Iino	D16/235

1 Claim, 3 Drawing Sheets



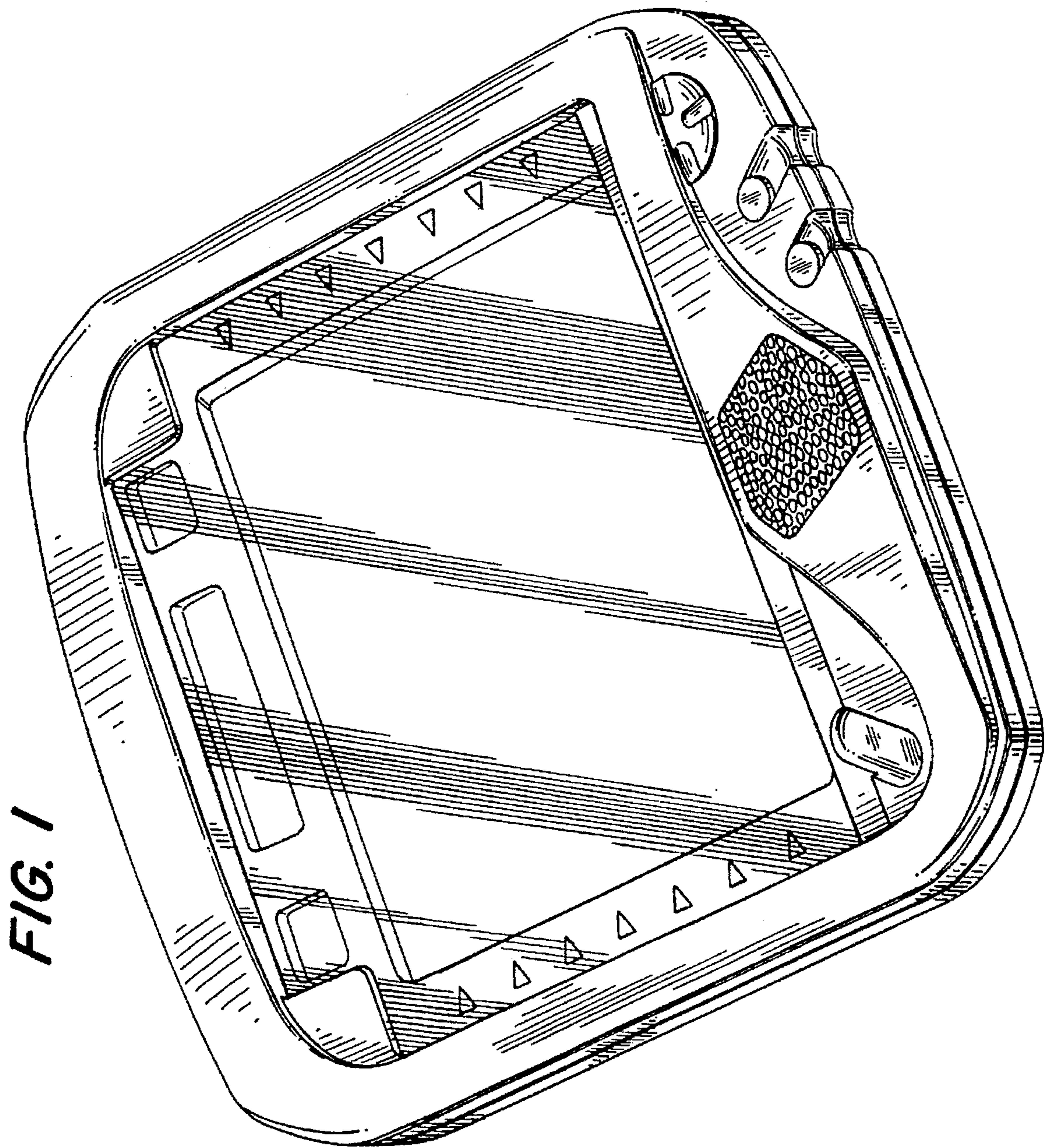


FIG. 1

FIG. 2

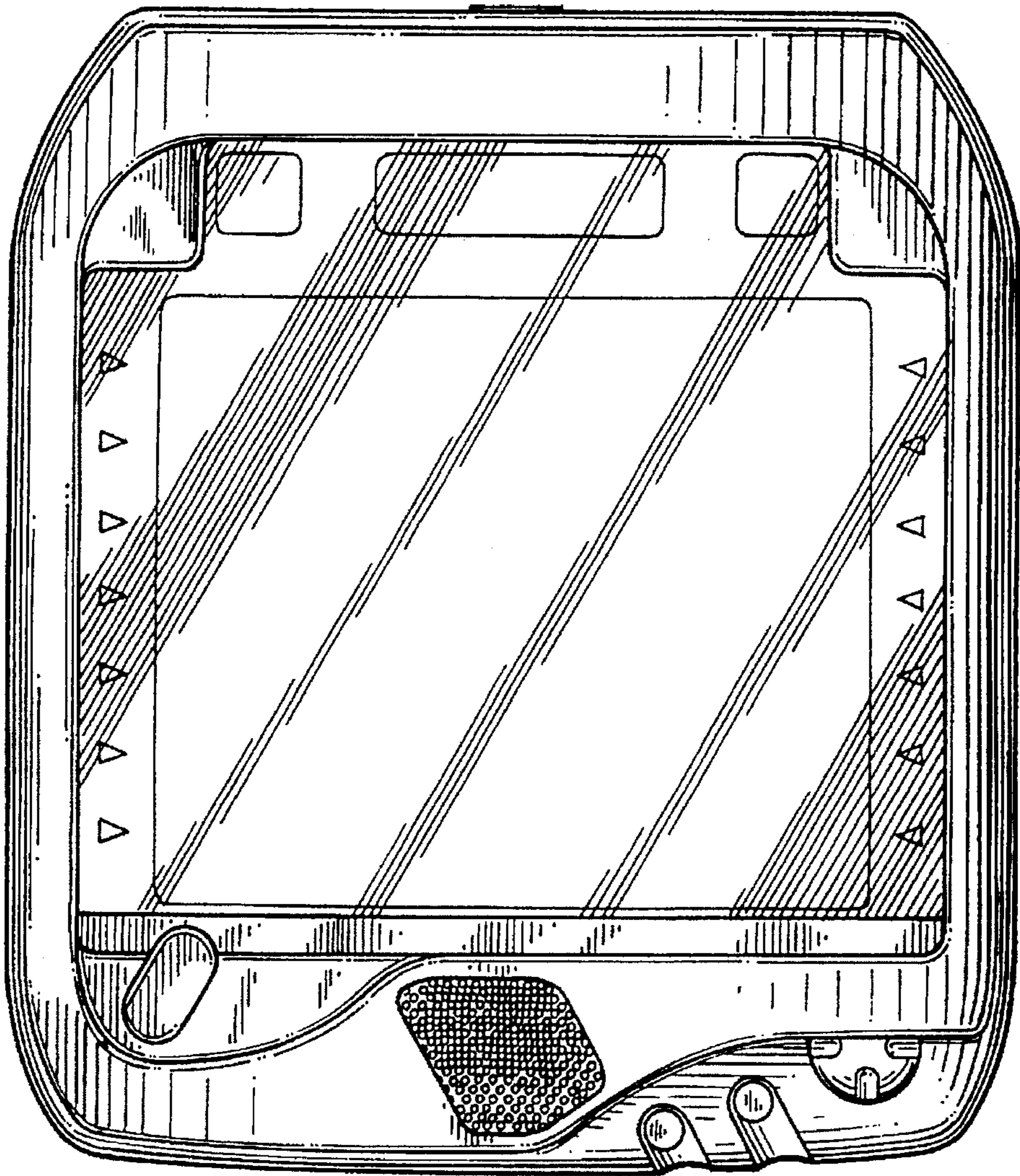


FIG. 3

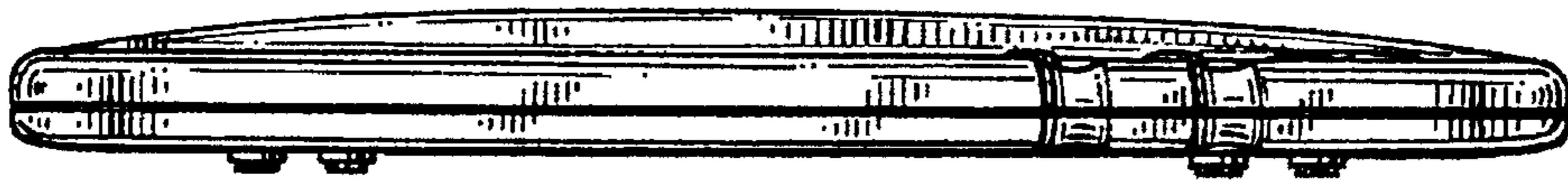


FIG. 4



FIG. 5



FIG. 6

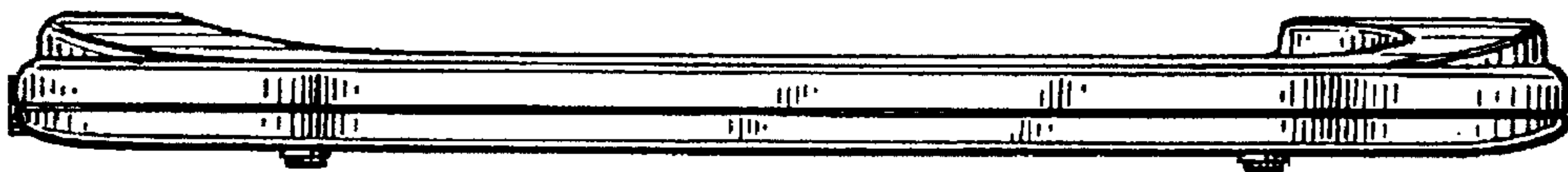


FIG. 7

