



US00D379358S

**United States Patent** [19]  
**Lennartsson**

[11] **Patent Number: Des. 379,358**  
[45] **Date of Patent: \*\*May 20, 1997**

[54] **CLINCHING ROLLER**

WO8600123 3/1986 WIPO .  
WO8911351 11/1989 WIPO .

[75] Inventor: **Kenneth Lennartsson**, Torekov,  
Sweden

**OTHER PUBLICATIONS**

[73] Assignee: **Protol A.G.**, Glarus, Switzerland

Pamphlet entitled "The Round Revolution" ©1993 Spiro International S.A., Switzerland.

[\*\*] Term: **14 Years**

*Primary Examiner*—Holly H. Baynham  
*Attorney, Agent, or Firm*—Weingarten, Schurgin, Gagnebin & Hayes LLP

[21] Appl. No.: **35,876**

[22] Filed: **Mar. 8, 1995**

[57] **CLAIM**

[51] **LOC (6) Cl.** ..... **15-09**

The ornamental design for a clinching roller, as shown and described.

[52] **U.S. Cl.** ..... **D15/123**

[58] **Field of Search** ..... D15/123; D8/360;  
72/6.2

**DESCRIPTION**

[56] **References Cited**

FIG. 1 is a plan view of a clinching roller, showing my new design;

**U.S. PATENT DOCUMENTS**

FIG. 2 is a side view of the clinching roller, showing a peripheral groove with a recess;

- D. 232,970 9/1974 Dyrup ..... D15/123
- D. 330,155 10/1992 Dye ..... D8/360
- 4,706,481 11/1987 Castricum ..... 72/49

FIG. 3 is a perspective view of the clinching roller, showing said recess as seen obliquely from one side; and,

FIG. 4 is a perspective view of the clinching roller, as seen obliquely from the other side.

**FOREIGN PATENT DOCUMENTS**

- 1168179 10/1969 United Kingdom .
- 2213748 8/1989 United Kingdom .

**1 Claim, 1 Drawing Sheet**

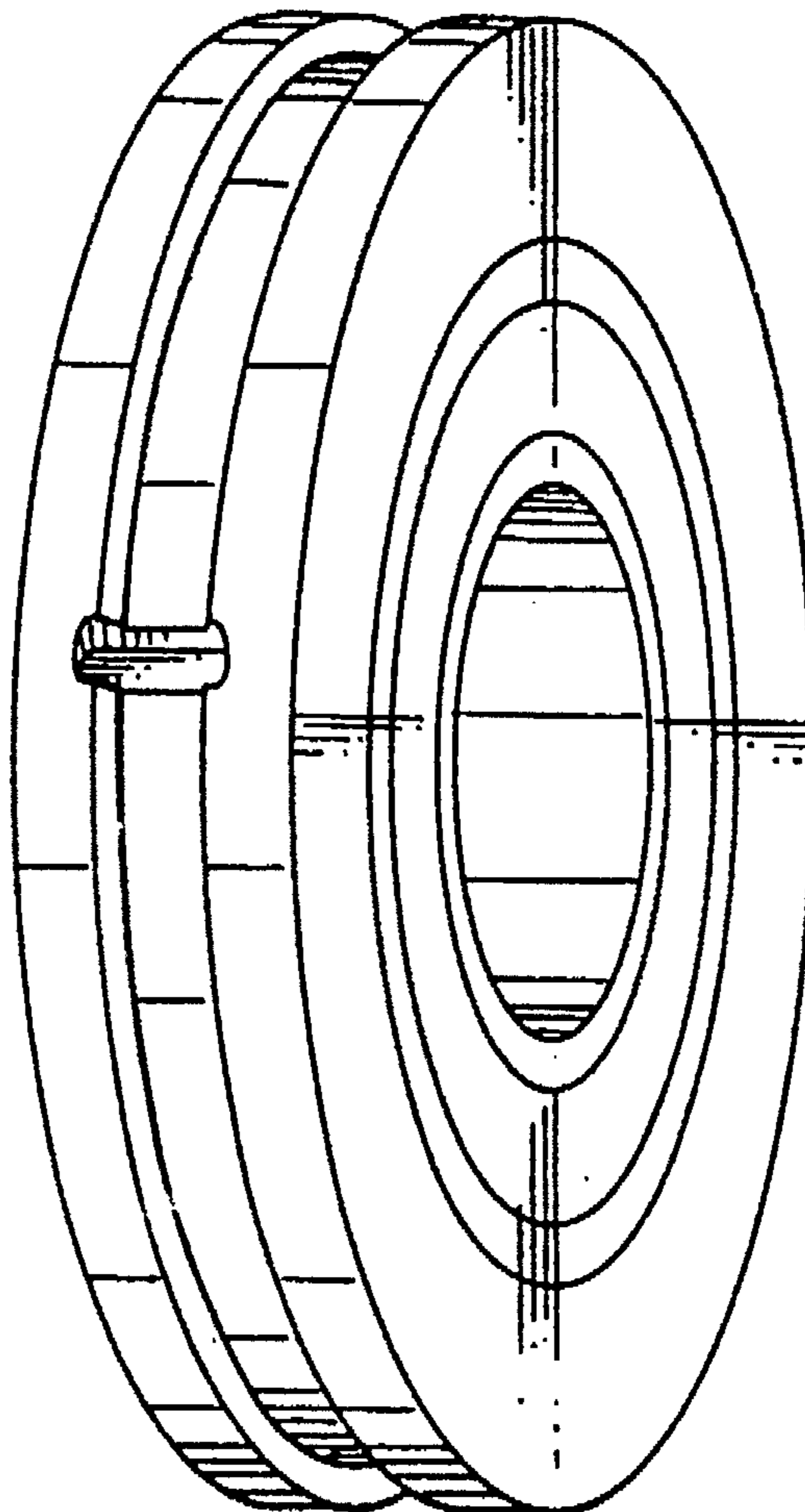


FIG. 1

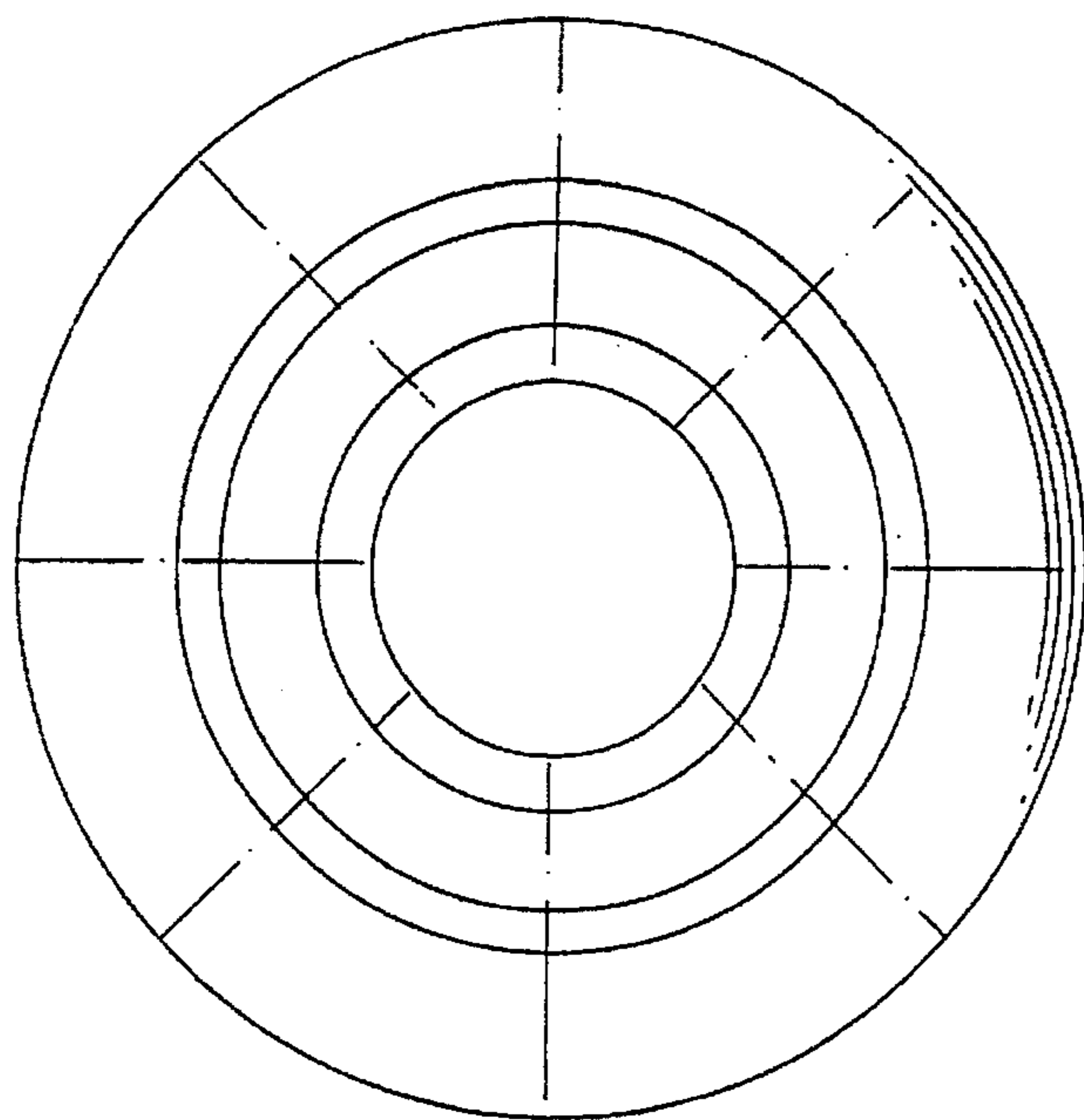


FIG. 2

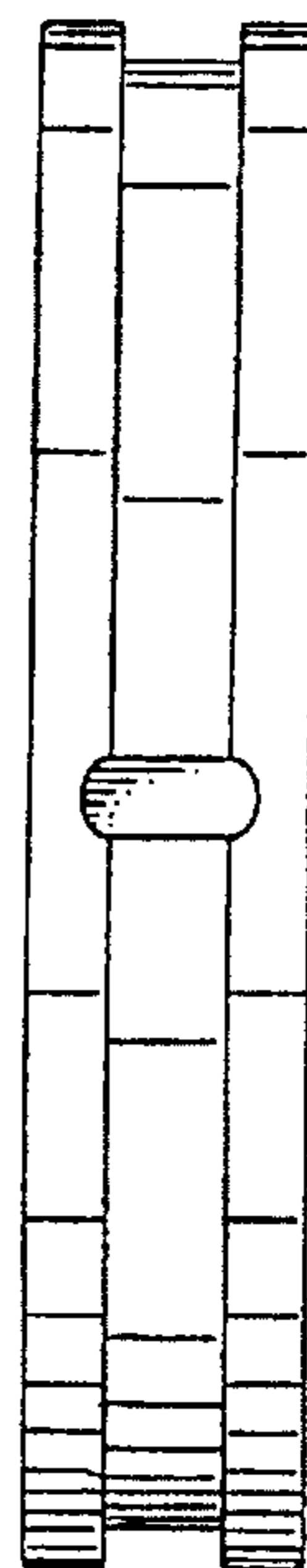


FIG. 3

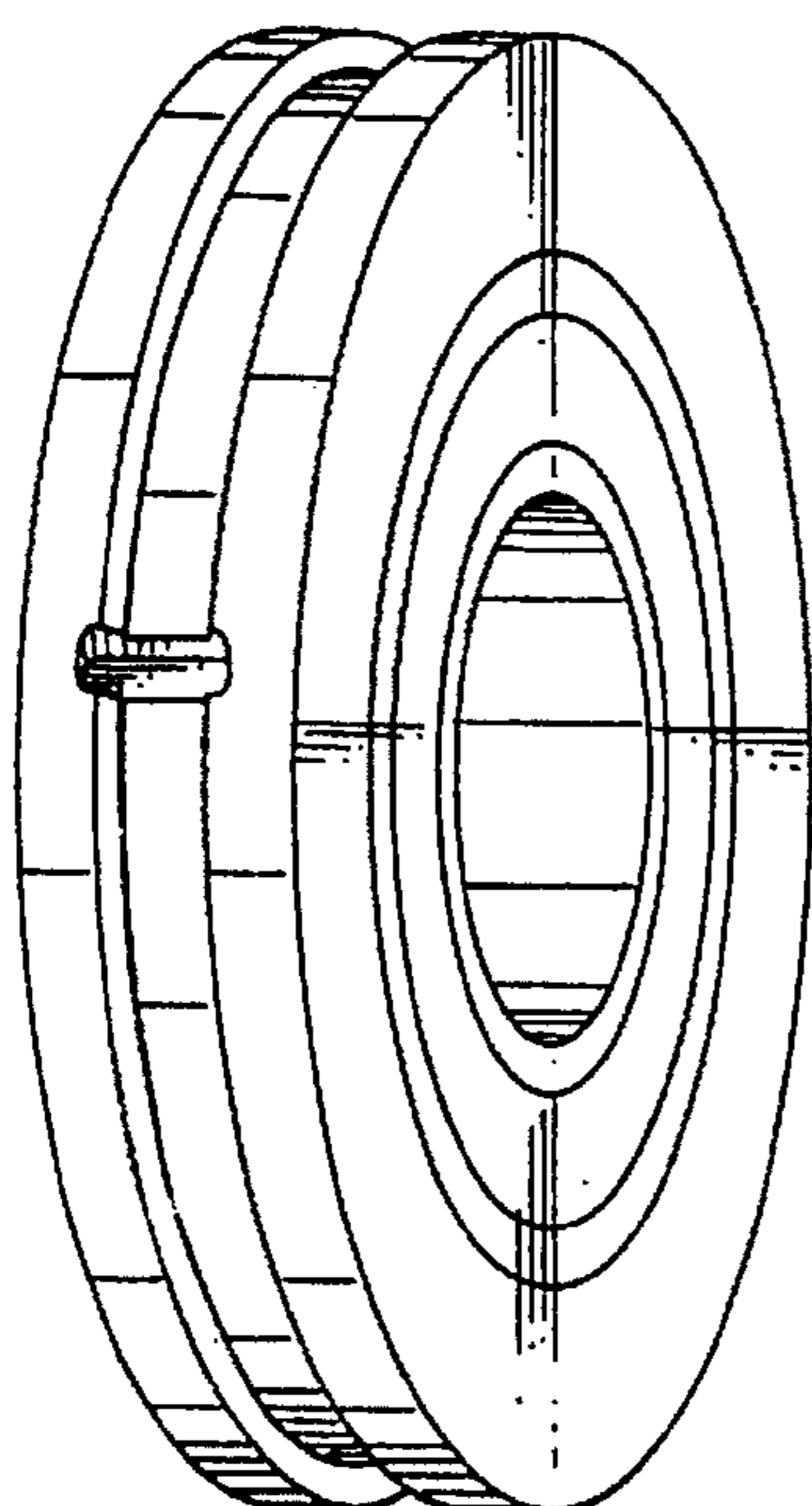


FIG. 4

