



US00D379357S

United States Patent [19]

Kato et al.

[11] Patent Number: **Des. 379,357**

[45] Date of Patent: ****May 20, 1997**

[54] SEWING MACHINE

[75] Inventors: **Shigemasa Kato; Shigemi Yamamoto,**
both of Chofu, Japan

[73] Assignee: **Juki Corporation,** Tokyo, Japan

[**] Term: **14 Years**

[21] Appl. No.: **45,580**

[22] Filed: **Oct. 24, 1995**

[30] Foreign Application Priority Data

Apr. 24, 1995 [JP] Japan 7-11615

[51] LOC (6) Cl. **15-06**

[52] U.S. Cl. **D15/69**

[58] Field of Search D15/66-72; 112/217.1-217.4,
112/258-262.1

[56] References Cited

U.S. PATENT DOCUMENTS

D. 358,597 5/1995 Tseng D15/69

D. 361,577 8/1995 Motomizu D15/70
4,407,211 10/1983 Kiyoshima 112/260
5,315,943 5/1994 Sonoda 112/260

Primary Examiner—Terry A. Wallace
Attorney, Agent, or Firm—Morgan & Finnegan, L.L.P.

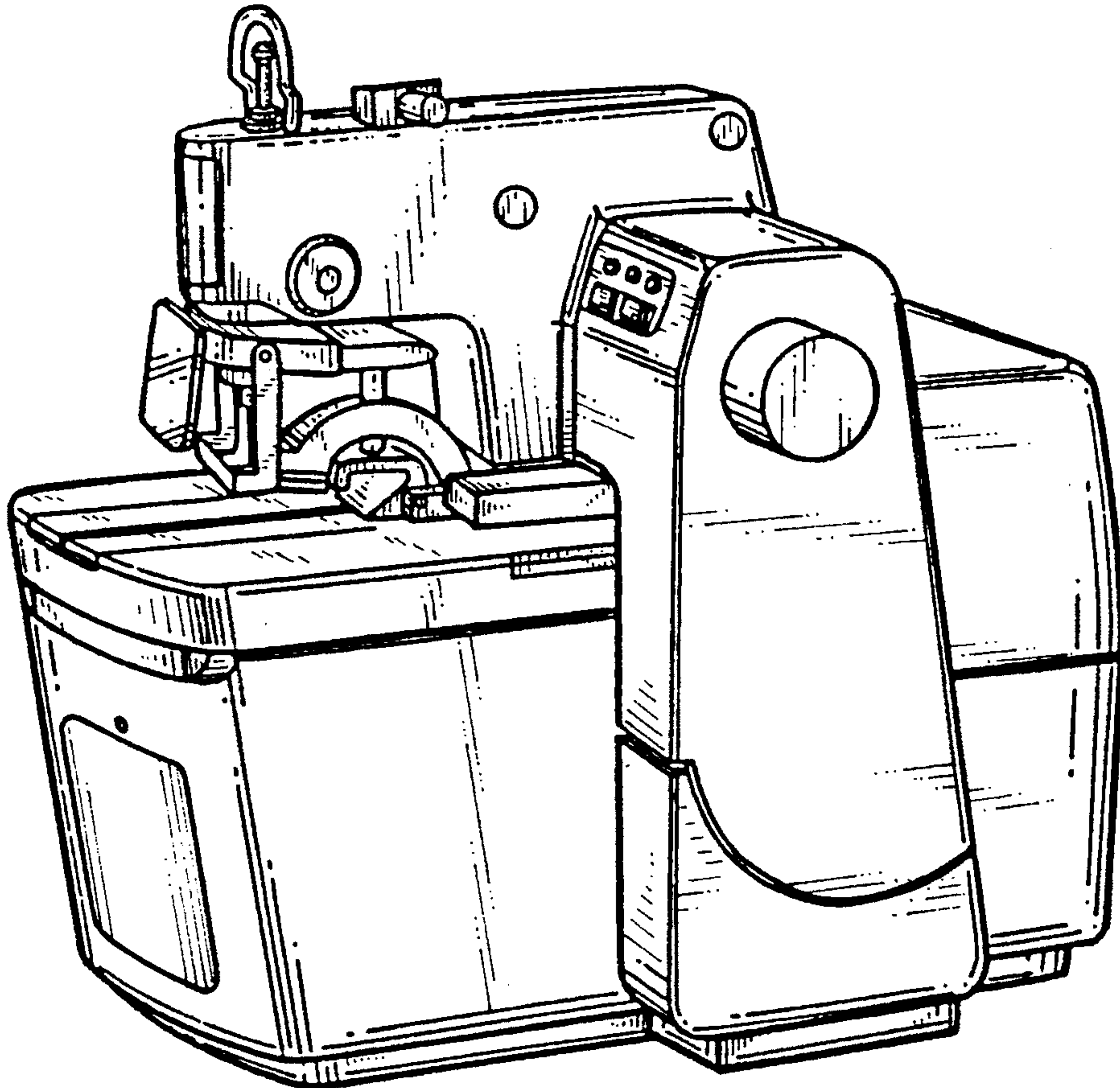
[57] CLAIM

The ornamental design for a sewing machine, as shown and described.

DESCRIPTION

FIG. 1 is a perspective view of a sewing machine showing our new design;
FIG. 2 is a top view thereof;
FIG. 3 is a front view thereof;
FIG. 4 is a bottom view thereof;
FIG. 5 is a left side view thereof;
FIG. 6 is a right side view thereof; and,
FIG. 7 is a rear view thereof.

1 Claim, 3 Drawing Sheets



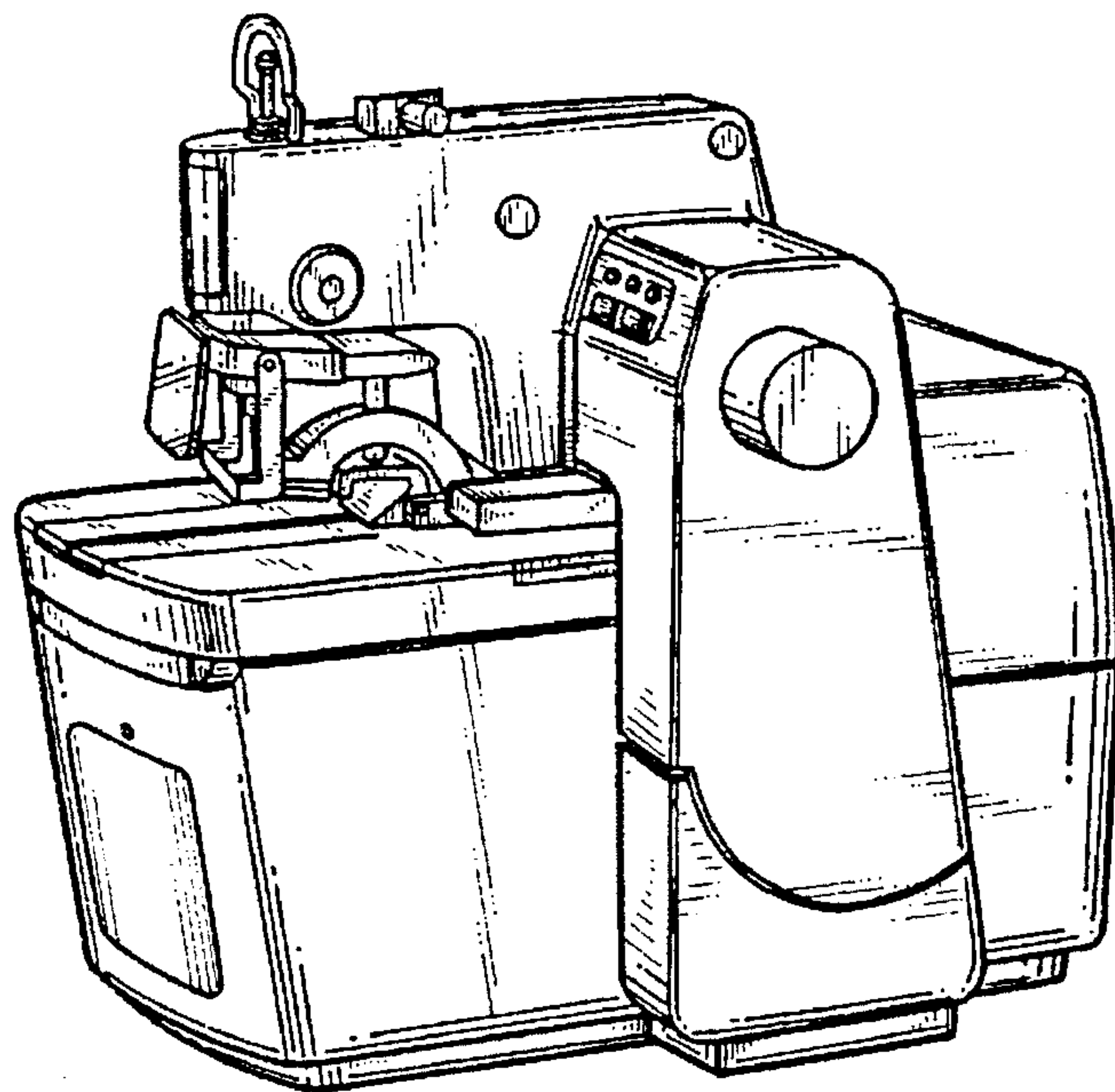


FIG. 1

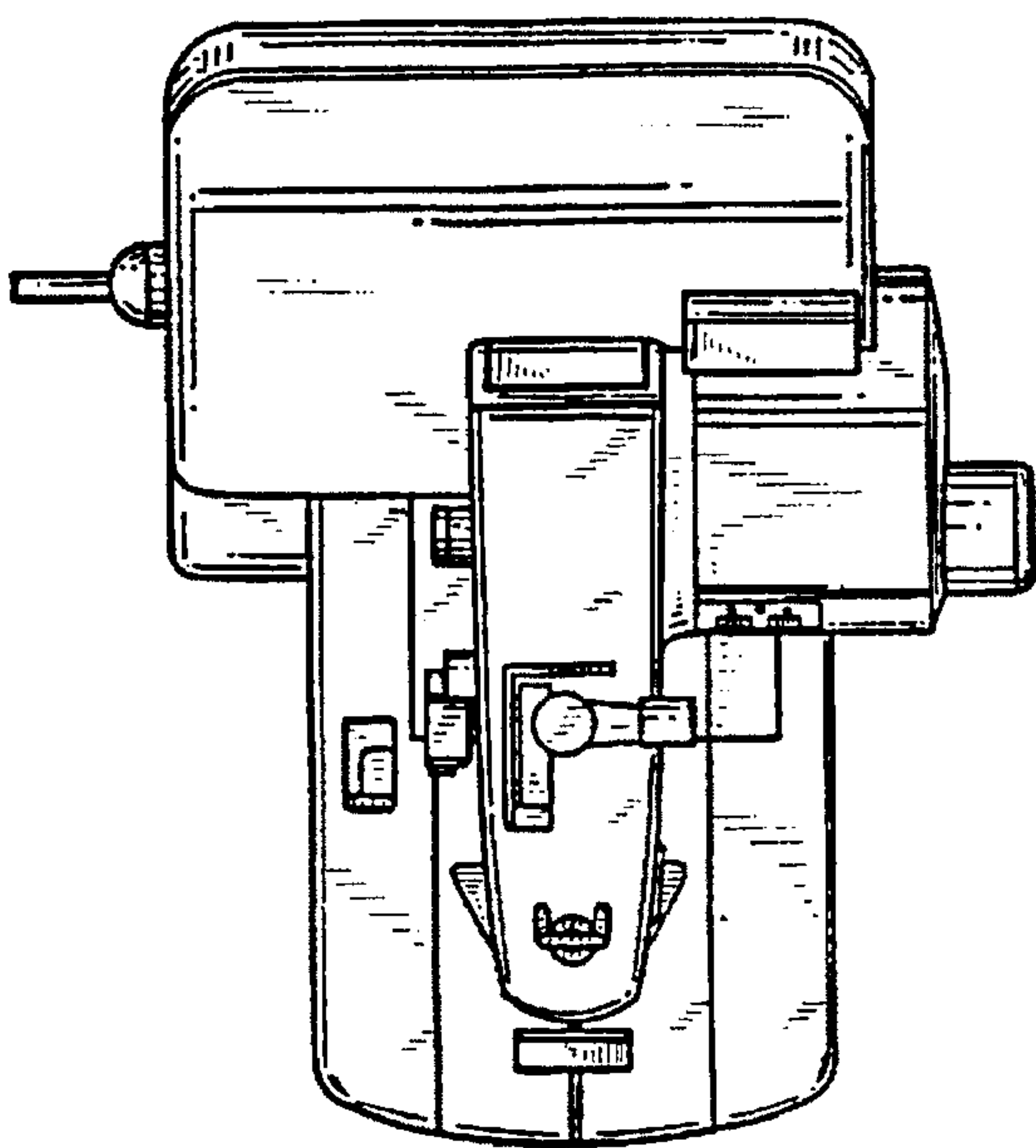


FIG. 2

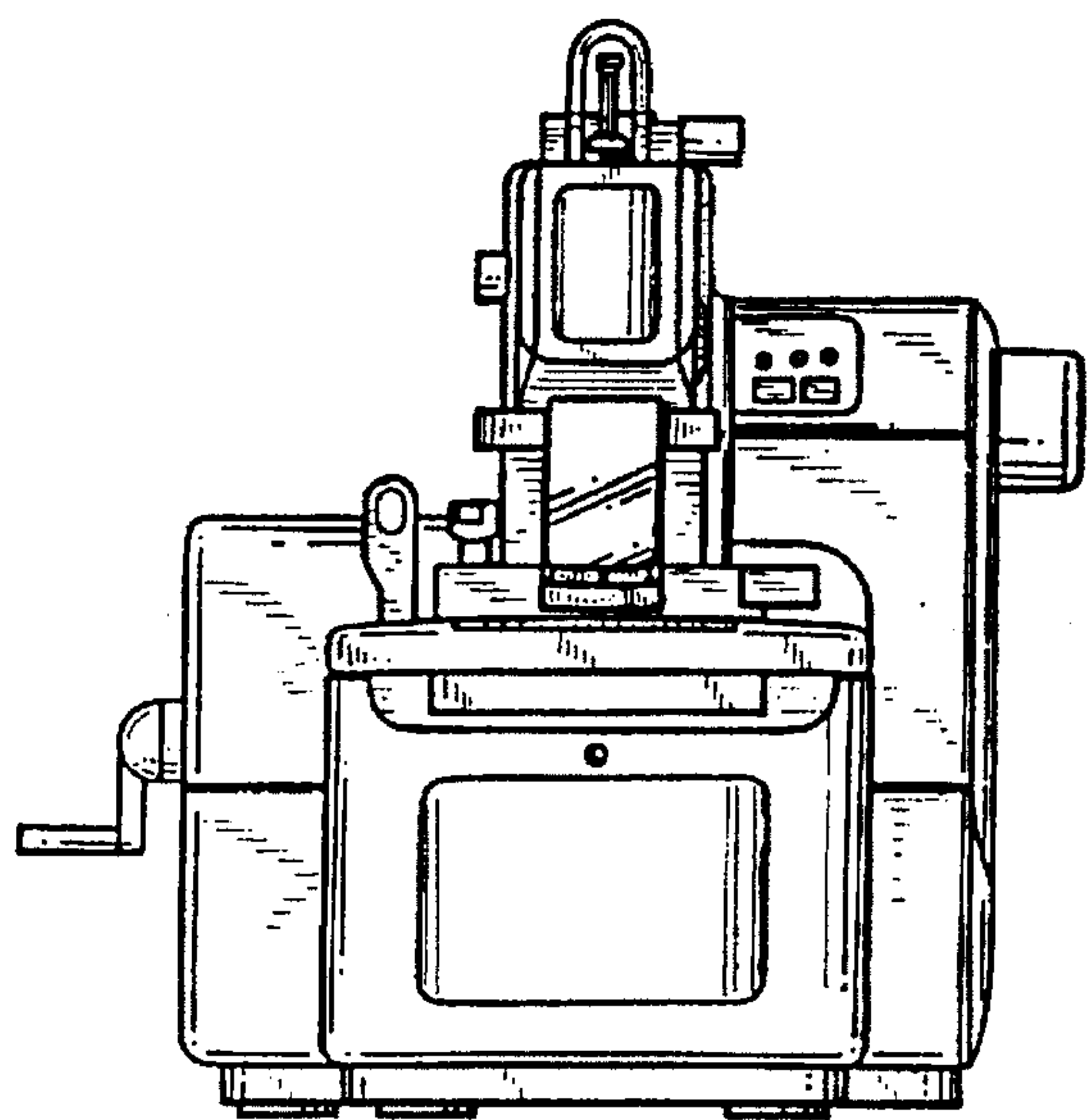


FIG. 3

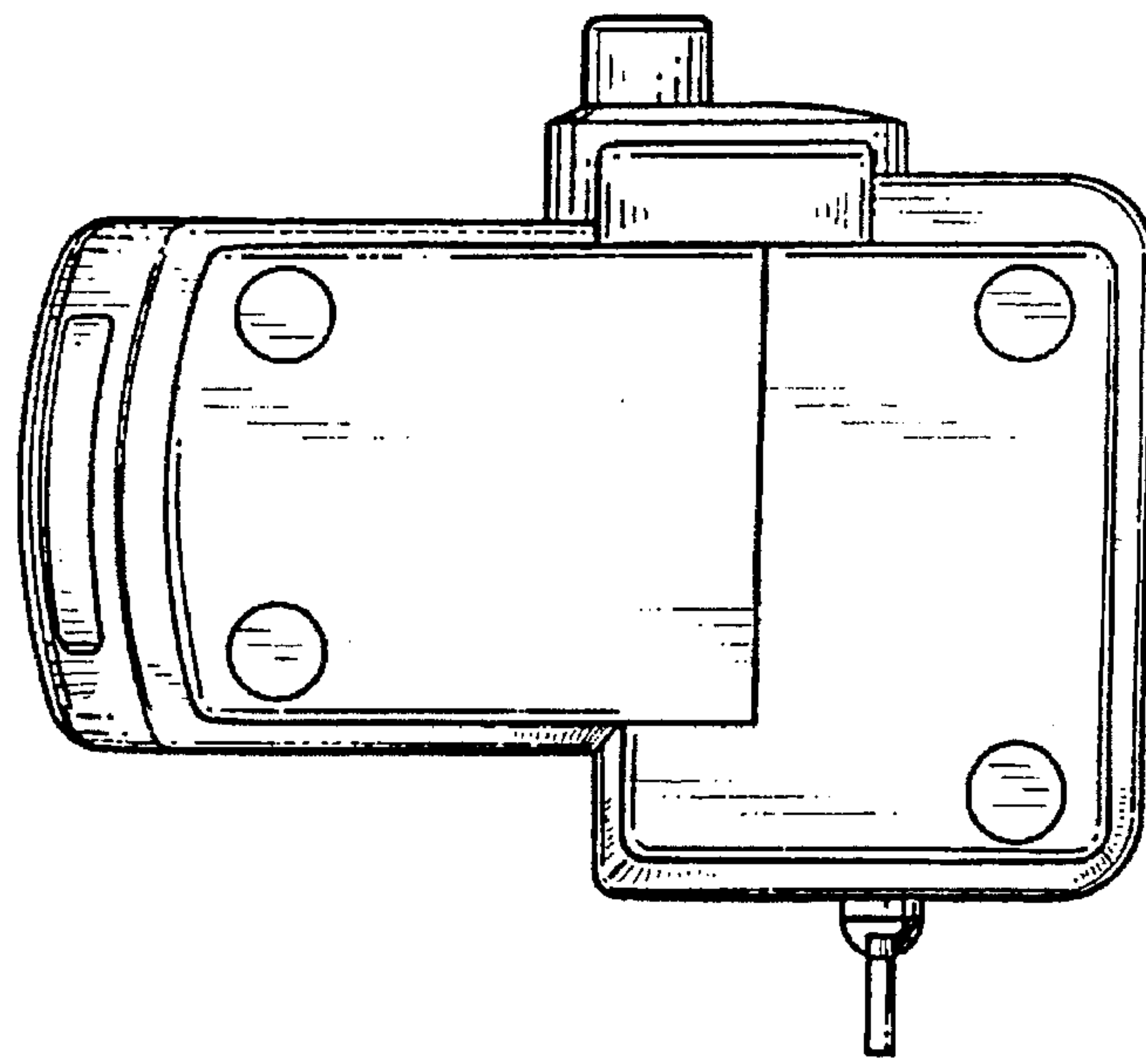


FIG. 4

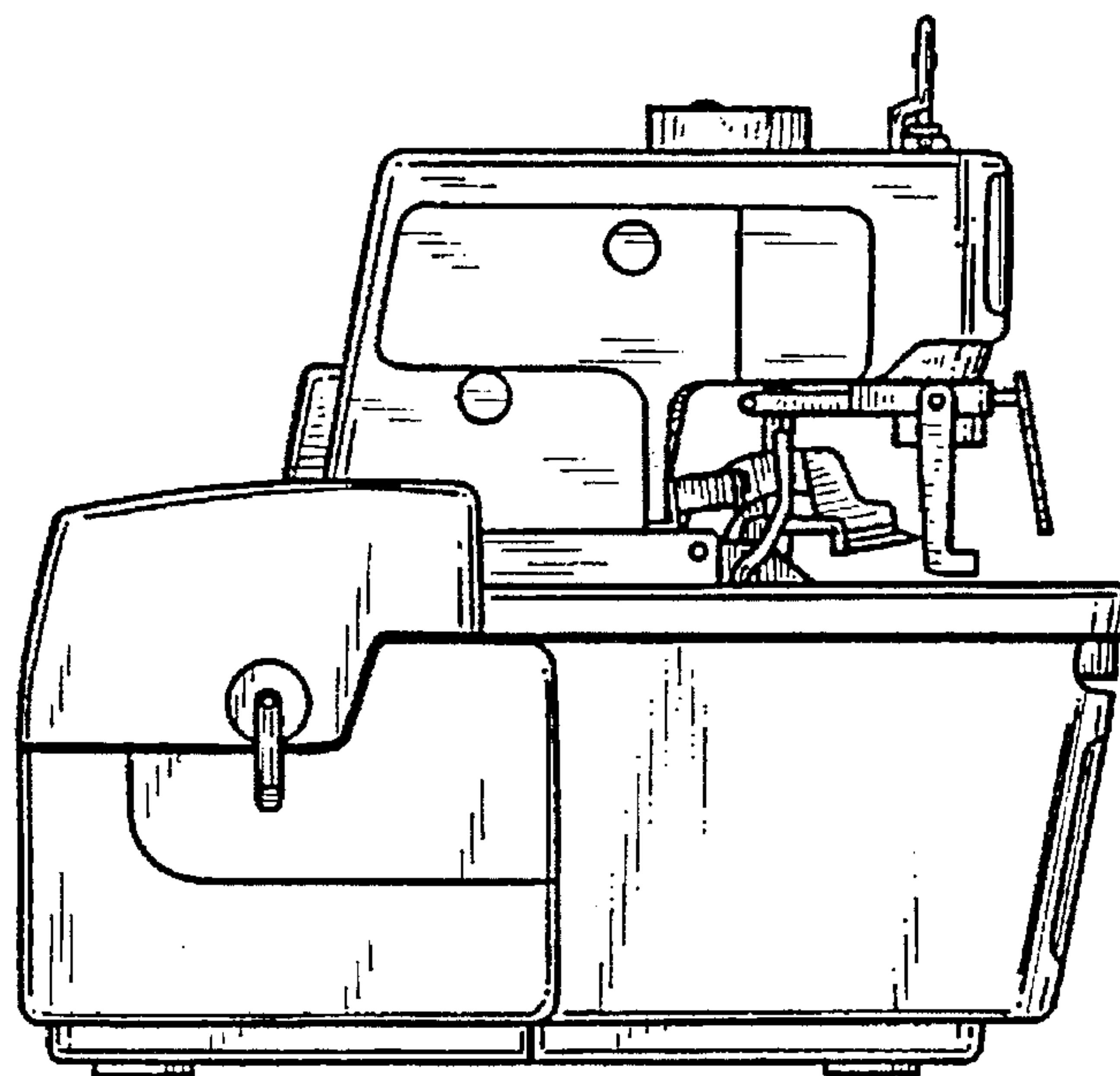


FIG. 5

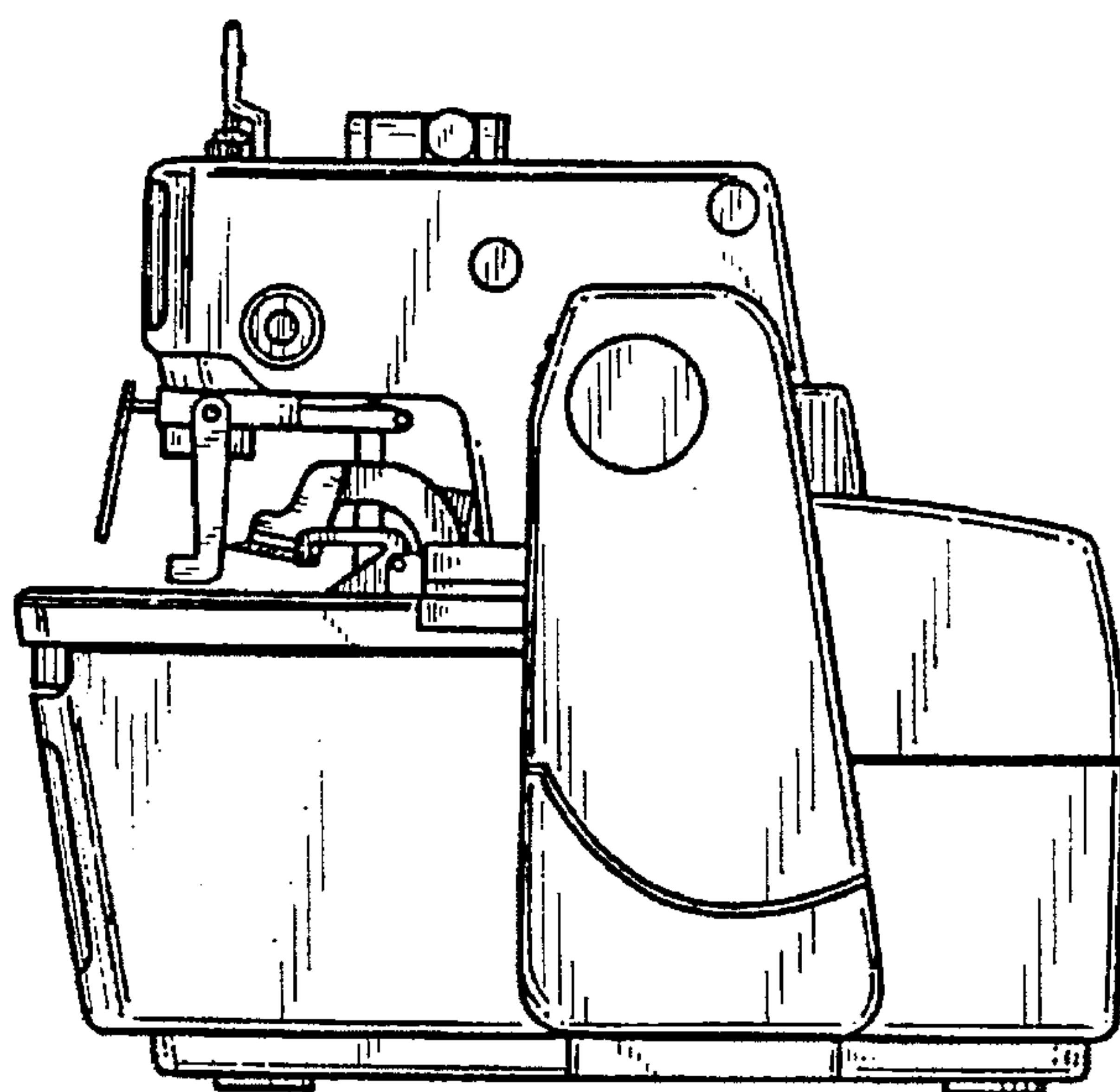


FIG. 6

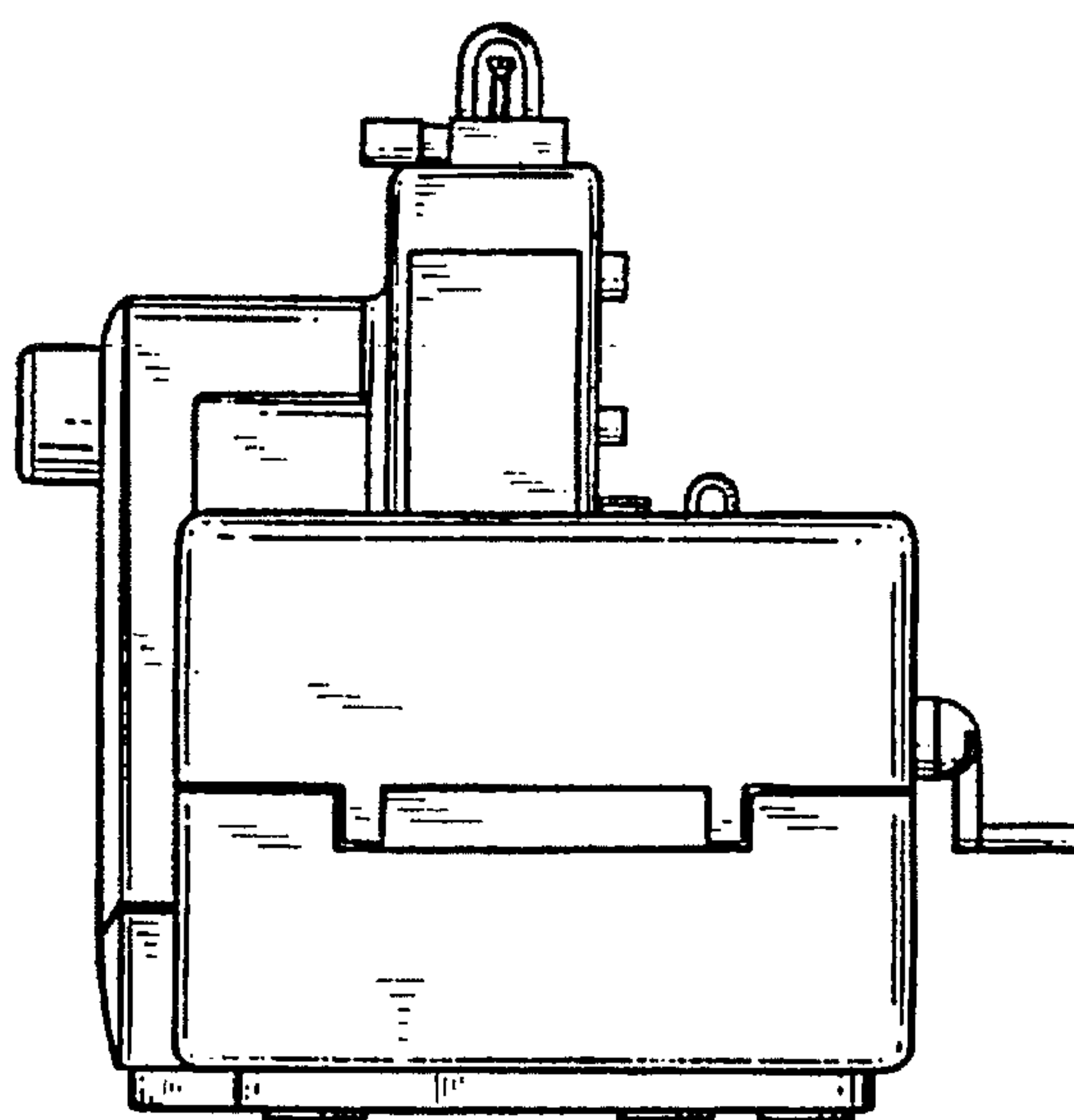


FIG. 7