



US00D379355S

United States Patent [19]

[11] Patent Number: Des. 379,355

Larson et al.

[45] Date of Patent: **May 20, 1997

[54] **SPEAKER FRONT PANEL**

D. 348,468 7/1994 Wathen D14/219
D. 357,478 4/1995 Tokiyama et al. D14/219

[75] Inventors: **Kenneth W. Larson**, Elmhurst;
Richard H. Gosch, Westchester, both
of Ill.

Primary Examiner—Sandra L. Morris
Assistant Examiner—Nanda Bondade
Attorney, Agent, or Firm—Christopher P. Moreno

[73] Assignee: **Motorola, Inc.**, Schaumburg, Ill.

[57] **CLAIM**

[**] Term: **14 Years**

The ornamental design for a speaker front panel, as shown and described.

[21] Appl. No.: **46,928**

DESCRIPTION

[22] Filed: **Nov. 21, 1995**

[51] **LOC (6) Cl.** **14-01**

[52] **U.S. Cl.** **D14/221; D14/219**

[58] **Field of Search** D14/204, 209-214,
D14/217, 219-222, 299; 181/144-145,
148, 150, 157, 198-199; 381/24, 86, 88,
90

FIG. 1 is a front elevational view of a speaker front panel showing our new design;
FIG. 2 is a right elevational view thereof;
FIG. 3 is a left elevational view thereof;
FIG. 4 is a top plan view thereof;
FIG. 5 is a bottom plan view thereof; and,
FIG. 6 is a front, top, and right side perspective view thereof.
The broken lines shown in FIGS. 1-6 are for illustrative purposes only and form no part of the claimed design.
The ornamental design for a speaker front panel, as shown and described.

[56] **References Cited**

U.S. PATENT DOCUMENTS

D. 278,335 4/1985 Matsuda et al. D14/219
D. 289,754 5/1987 Koob D14/219 X
D. 295,746 5/1988 Ridinger D14/219

1 Claim, 6 Drawing Sheets

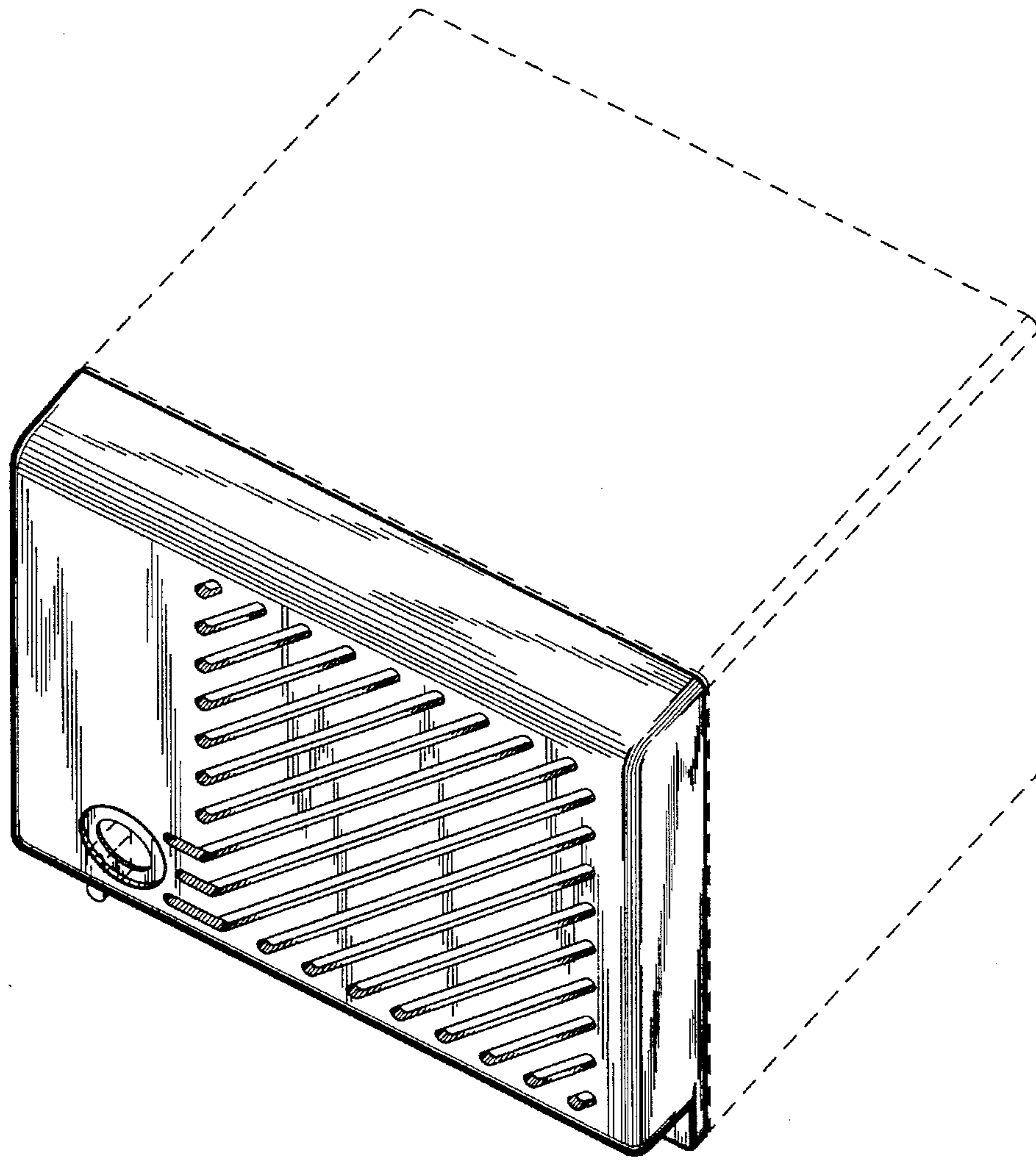
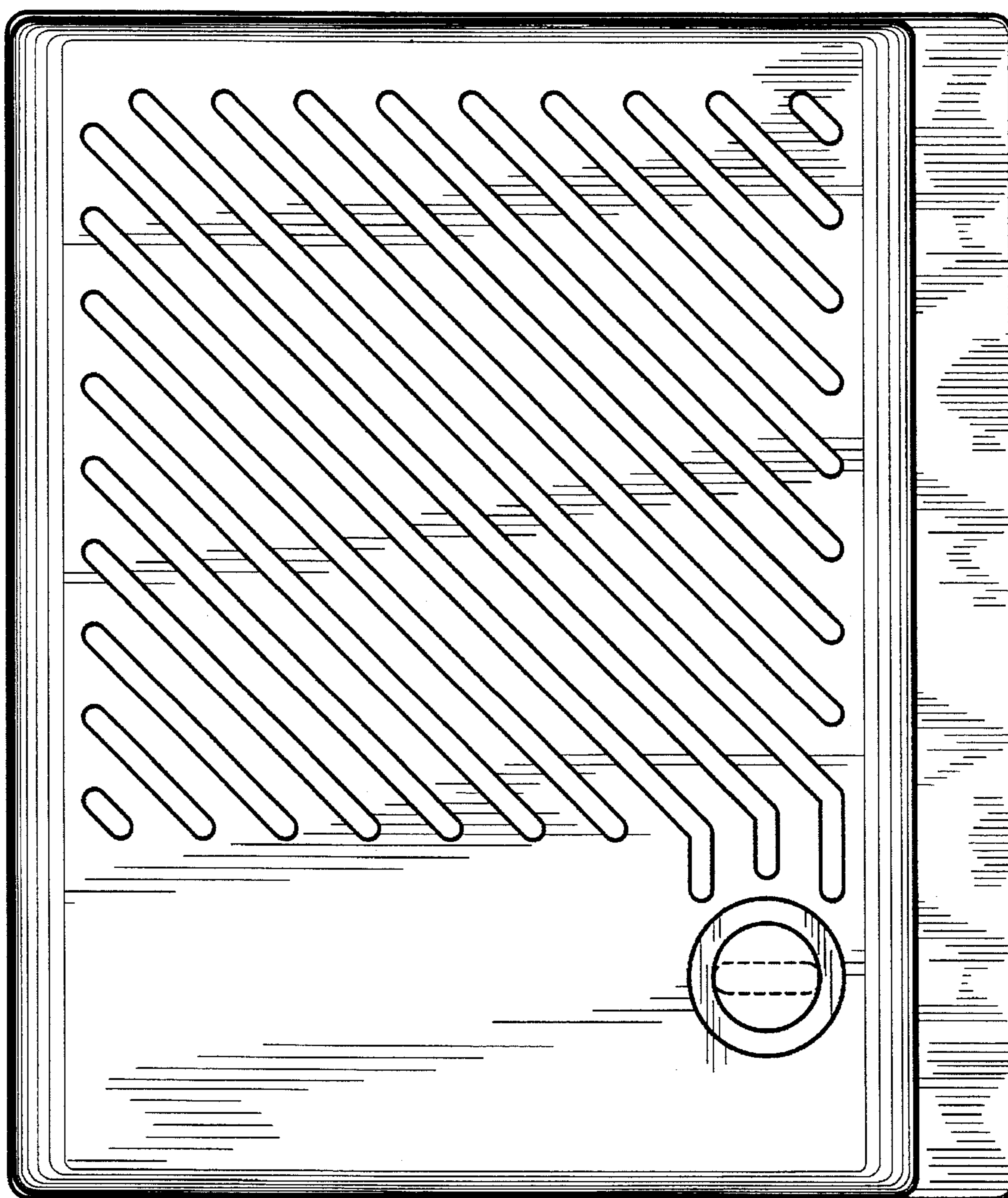


FIG. 1



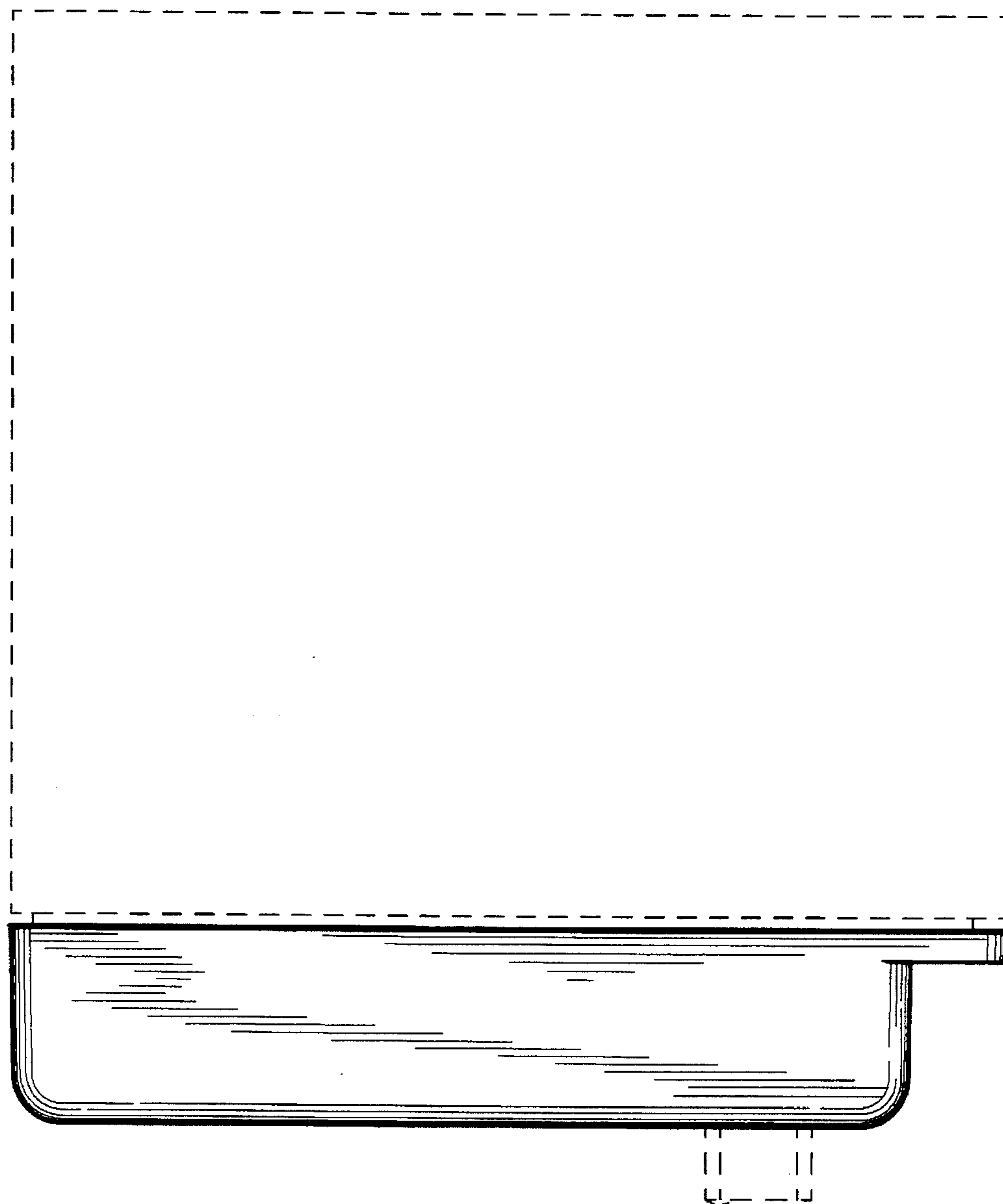


FIG. 2

FIG. 3

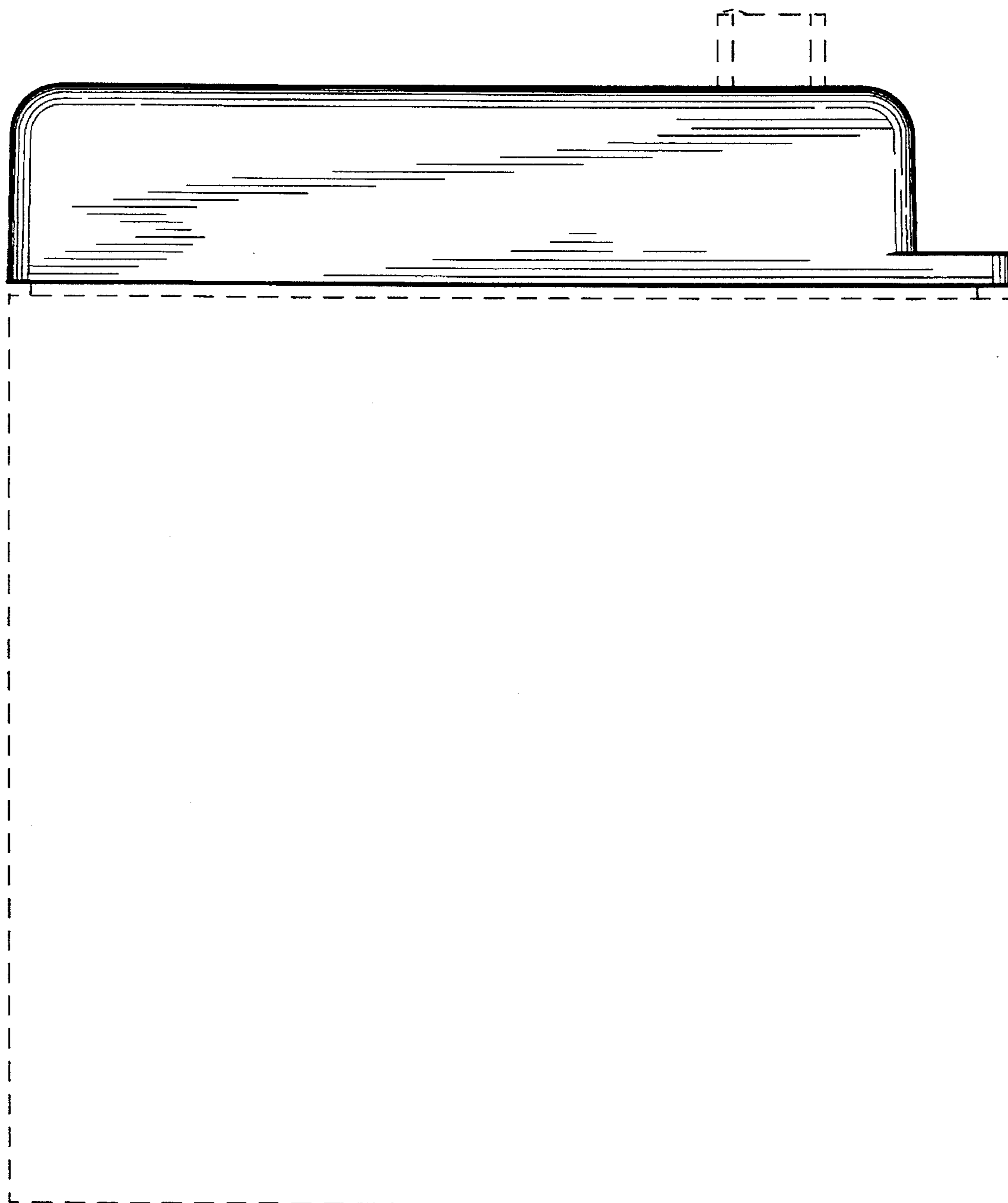
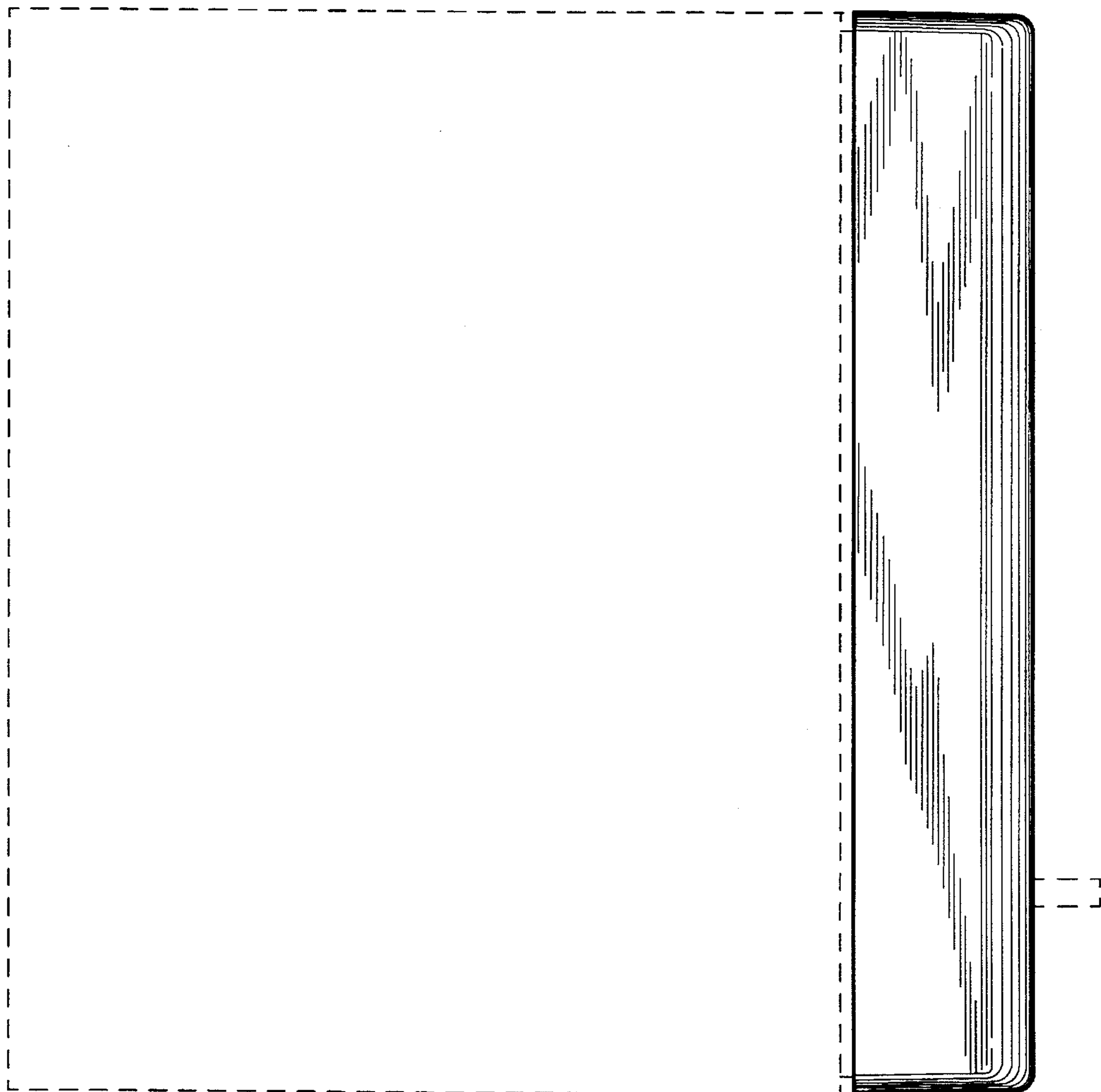


FIG. 4



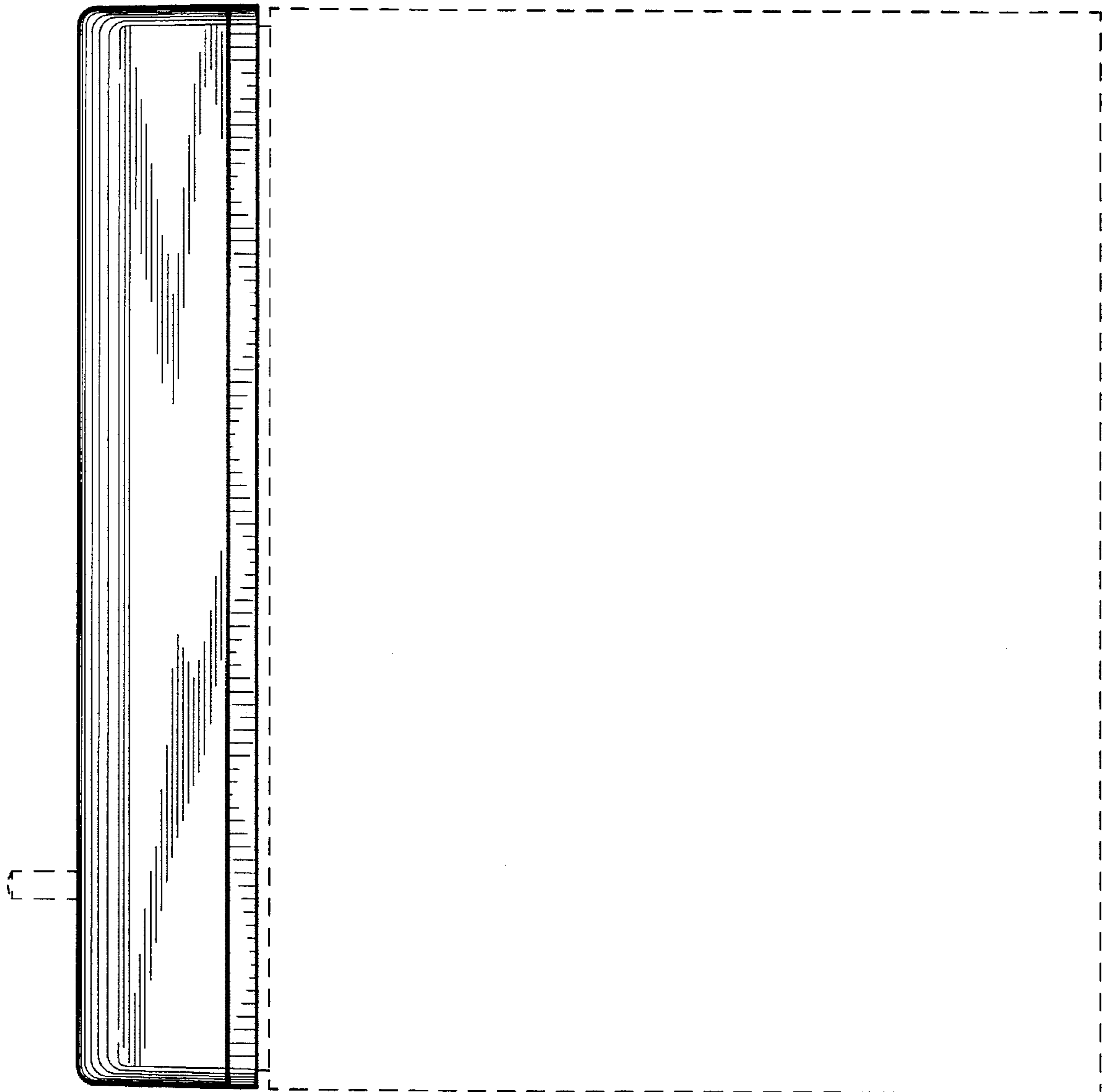


FIG. 5

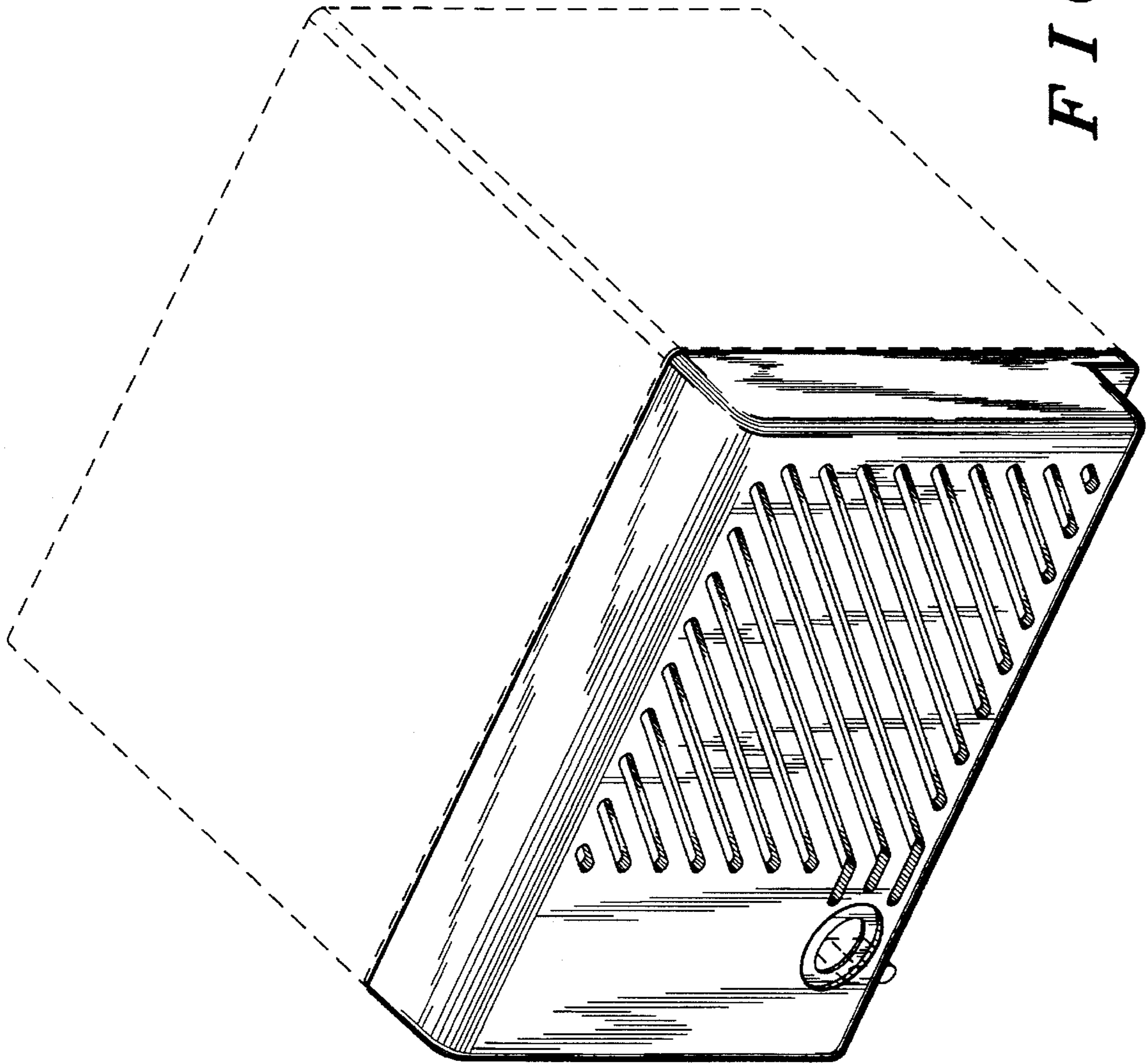


FIG. 6