



US00D379347S

United States Patent [19]
Traver, Jr.

[11] **Patent Number: Des. 379,347**
[45] **Date of Patent: **May 20, 1997**

[54] **POSITIVE LATCHING AND DELATCHING CONNECTOR FOR ELECTRICAL CONDUCTORS**

[75] **Inventor: Robert F. Traver, Jr., Landenberg, Pa.**

[73] **Assignee: W. L. Gore & Associates, Inc., Newark, Del.**

[**] **Term: 14 Years**

[21] **Appl. No.: 47,151**

[22] **Filed: Nov. 28, 1995**

[51] **LOC (6) Cl. 13-03**

[52] **U.S. Cl. D13/154**

[58] **Field of Search D13/154, 146; 439/350, 353, 358, 465**

[56] **References Cited**

U.S. PATENT DOCUMENTS

4,444,450	4/1984	Huber	439/465
4,721,483	1/1988	Dickie	439/465 X
4,749,369	6/1988	Wang	439/460 X
4,822,286	4/1989	Bianca	439/460 X
5,328,386	7/1994	Frantz et al.	439/465

Primary Examiner—Holly Baynham
Attorney, Agent, or Firm—Victor M. Genco, Jr.

[57] **CLAIM**

The ornamental design for a positive latching and delatching connector for electrical conductors, as shown and described.

DESCRIPTION

FIG. 1 is a perspective view of a positive latching and delatching connector for electrical conductors showing my new design, wherein a handle assembly is disposed in a first position;

FIG. 2 is a perspective view thereof, wherein the handle assembly is disposed in a second position;

FIG. 3 is a perspective view of a housing thereof;

FIG. 4 is a rear view of the housing;

FIG. 5 is a top view of the housing;

FIG. 6 is a front view of the housing;

FIG. 7 is a right side view of the housing, which is a mirror image of the left side not shown;

FIG. 8 is a perspective view of the handle assembly;

FIG. 9 is a front view of the handle assembly;

FIG. 10 is a right side view of the handle assembly, which is a mirror image of the left side thereof not shown;

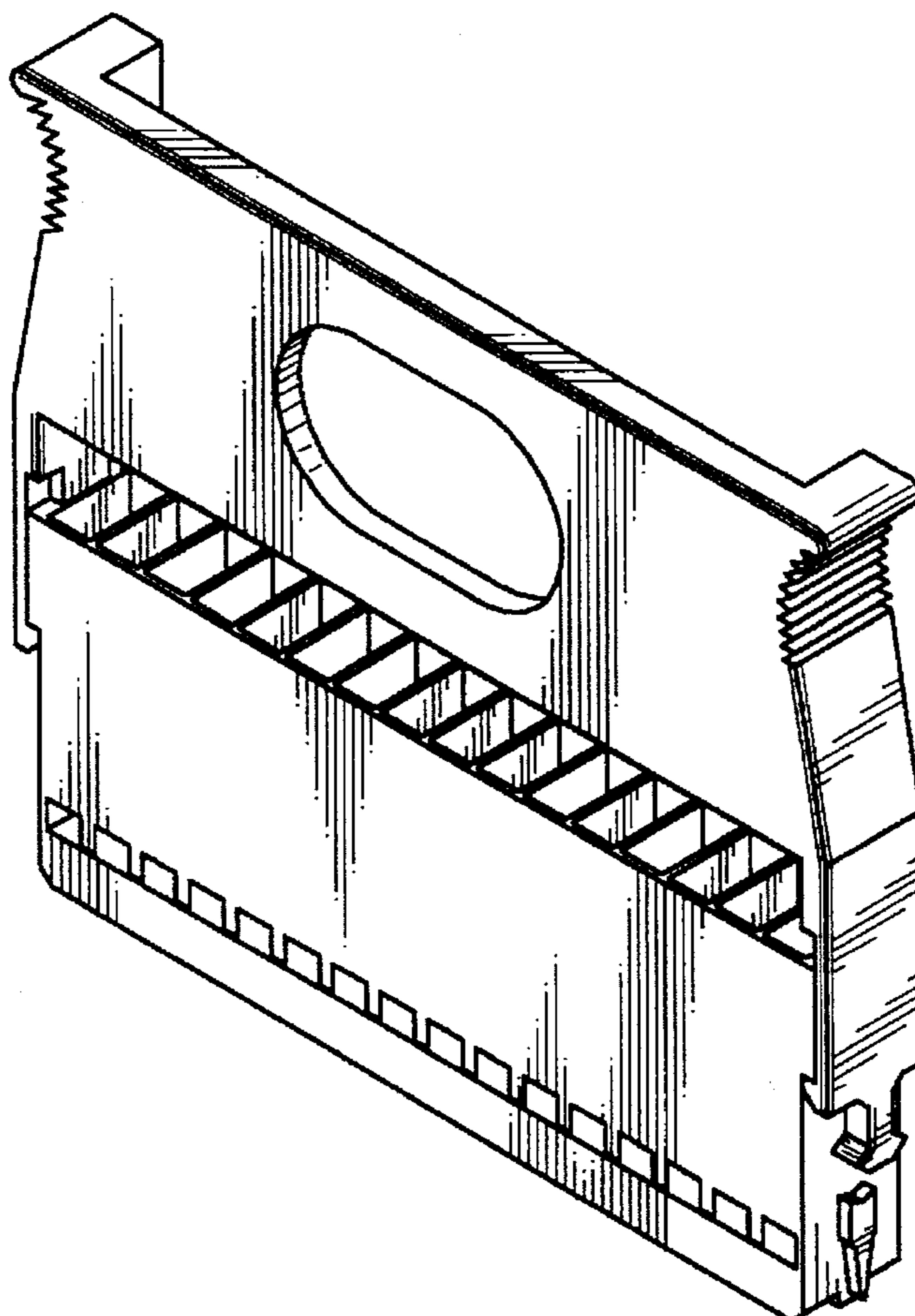
FIG. 11 is a top view of the handle assembly;

FIG. 12 is a rear view of the handle assembly; and,

FIG. 13 is a bottom view of the handle assembly.

The elements of the claimed design are shown detached for clarity of illustration.

1 Claim, 4 Drawing Sheets



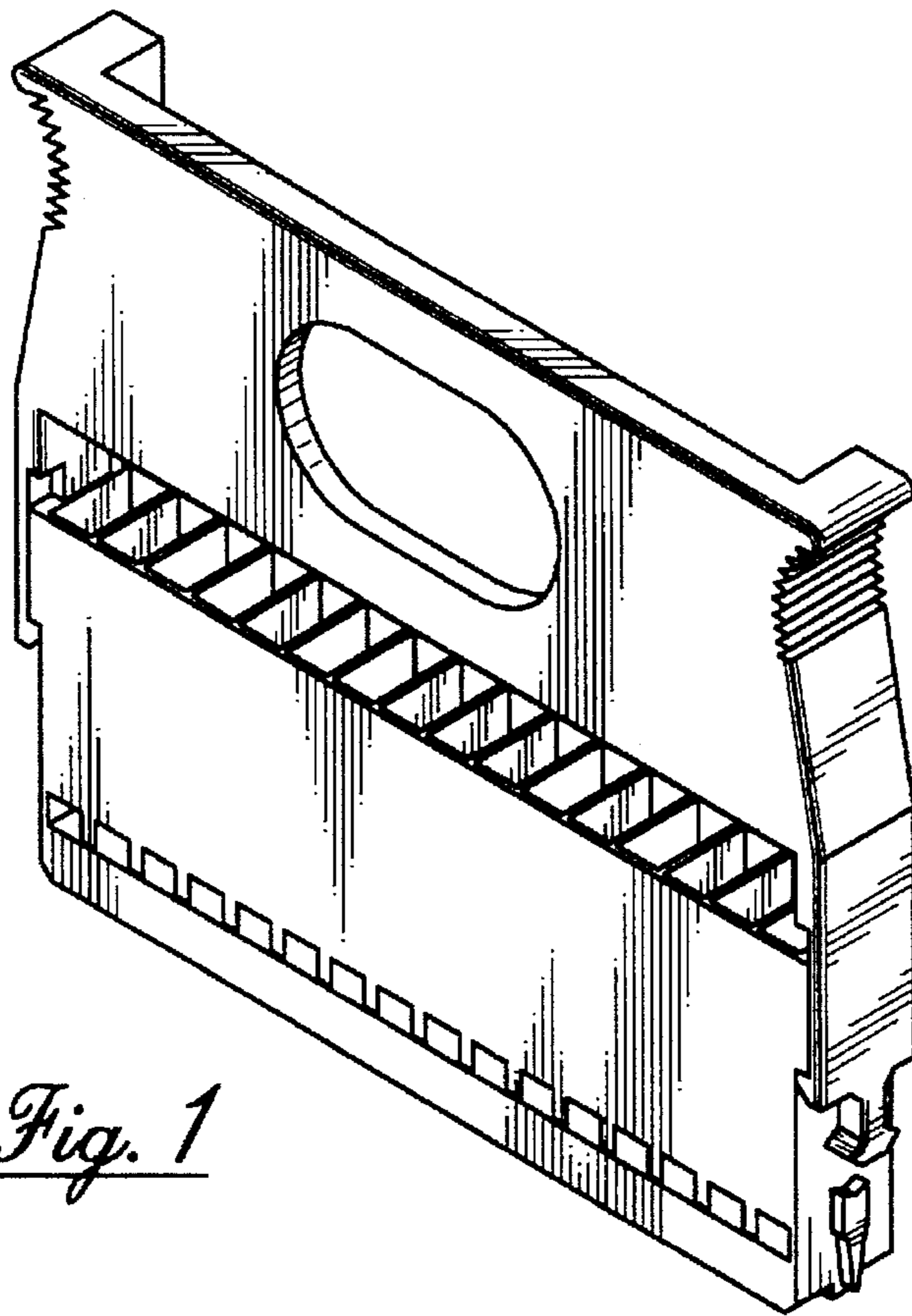


Fig. 1

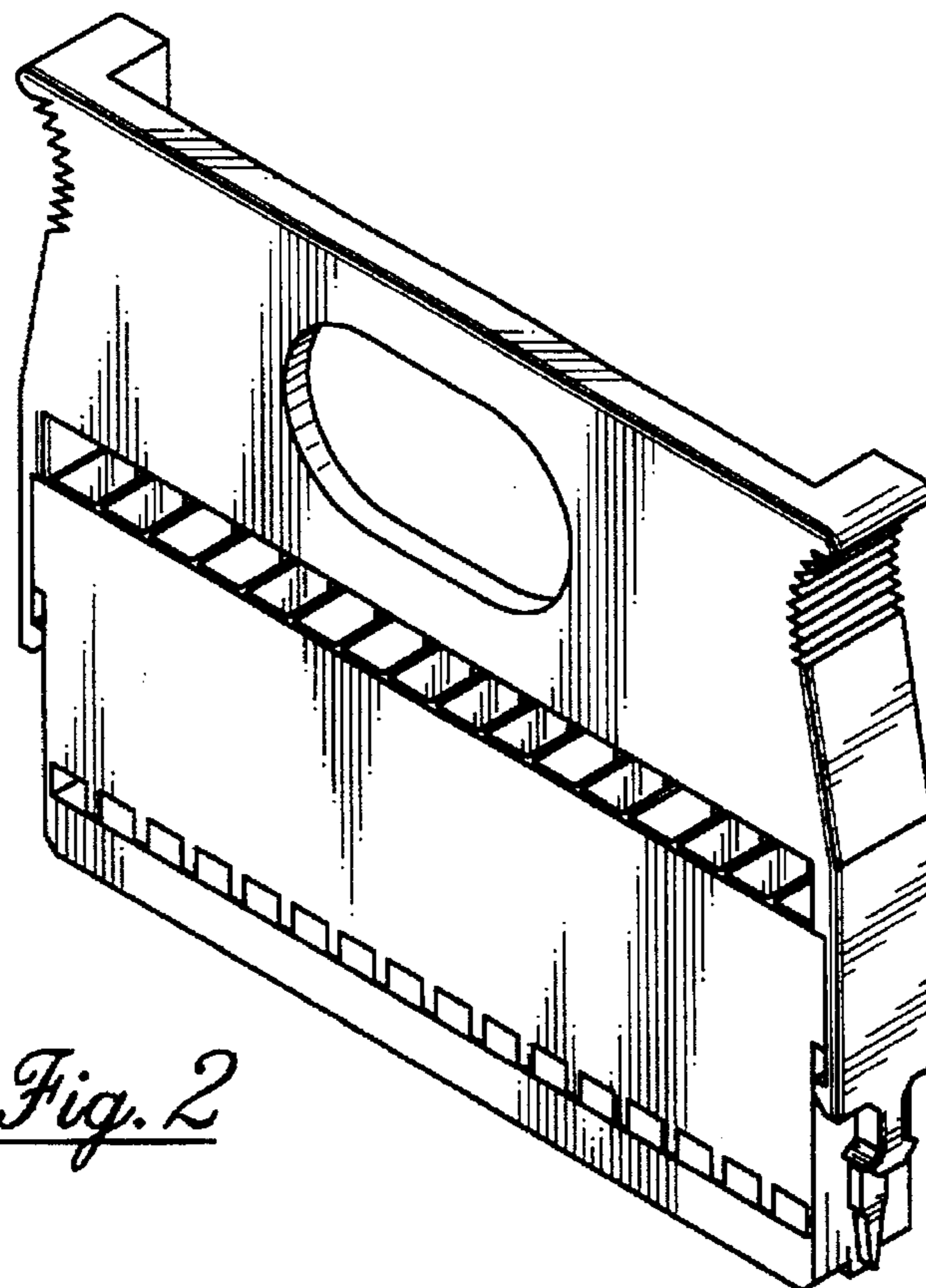


Fig. 2

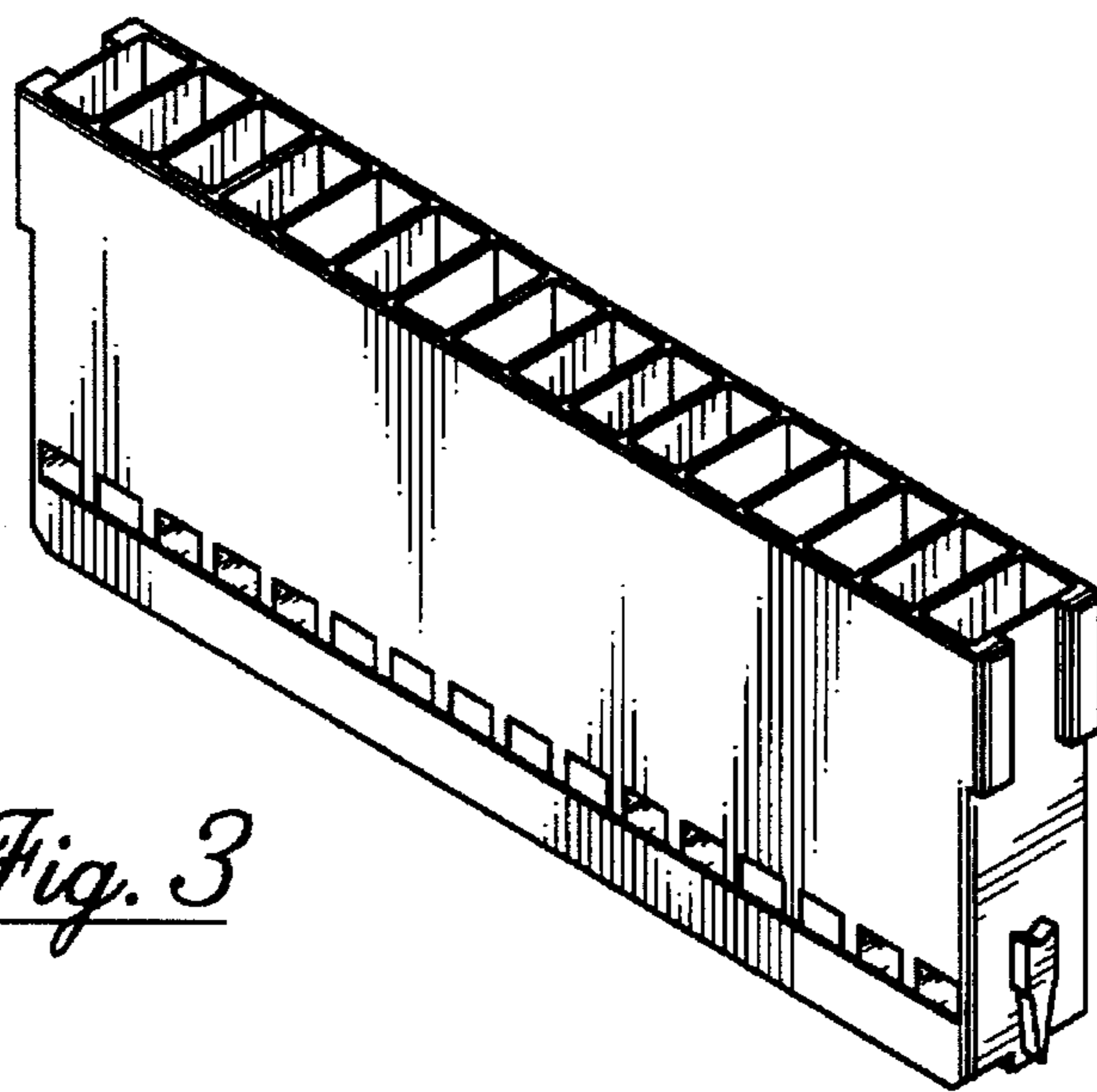


Fig. 3



Fig. 4

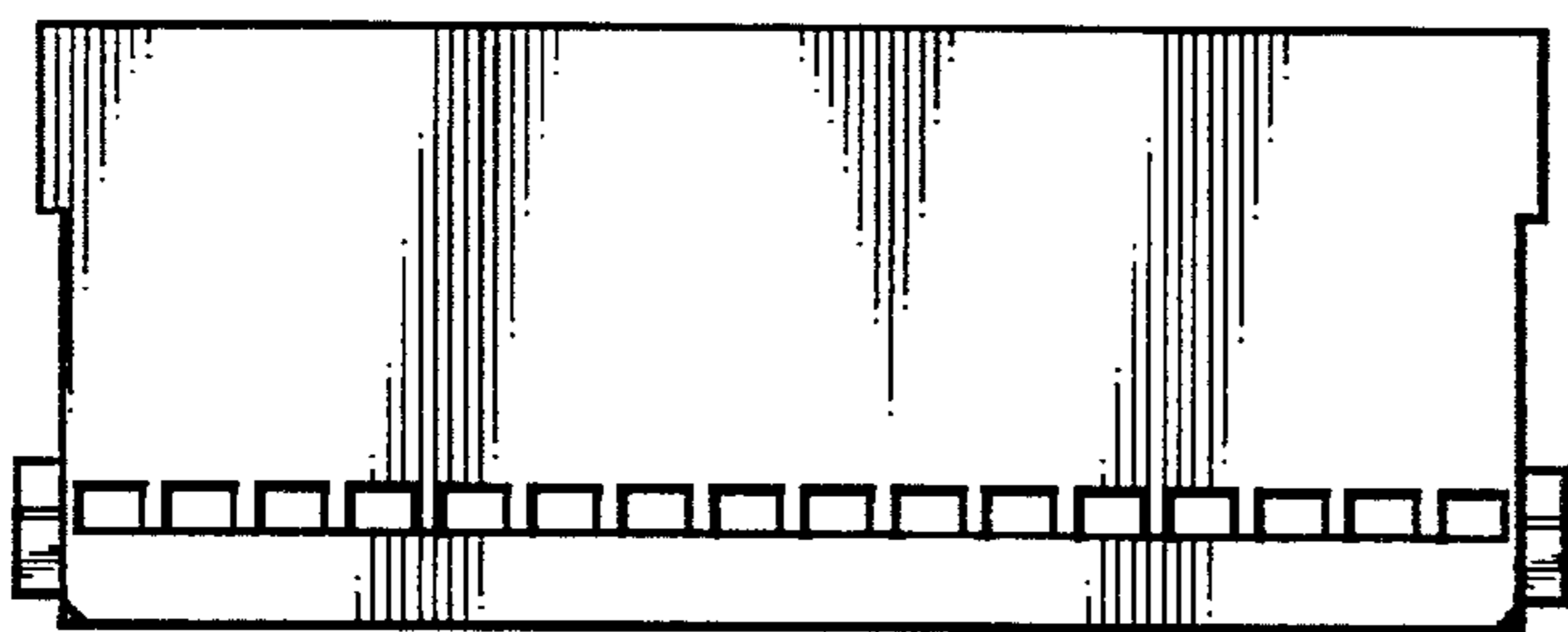


Fig. 5



Fig. 7

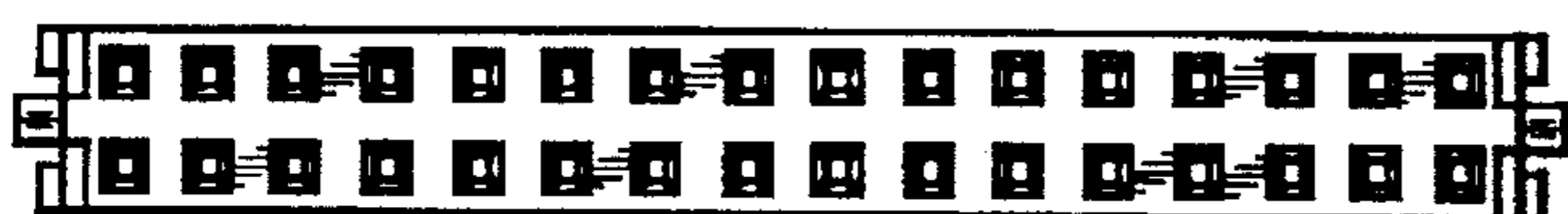


Fig. 6

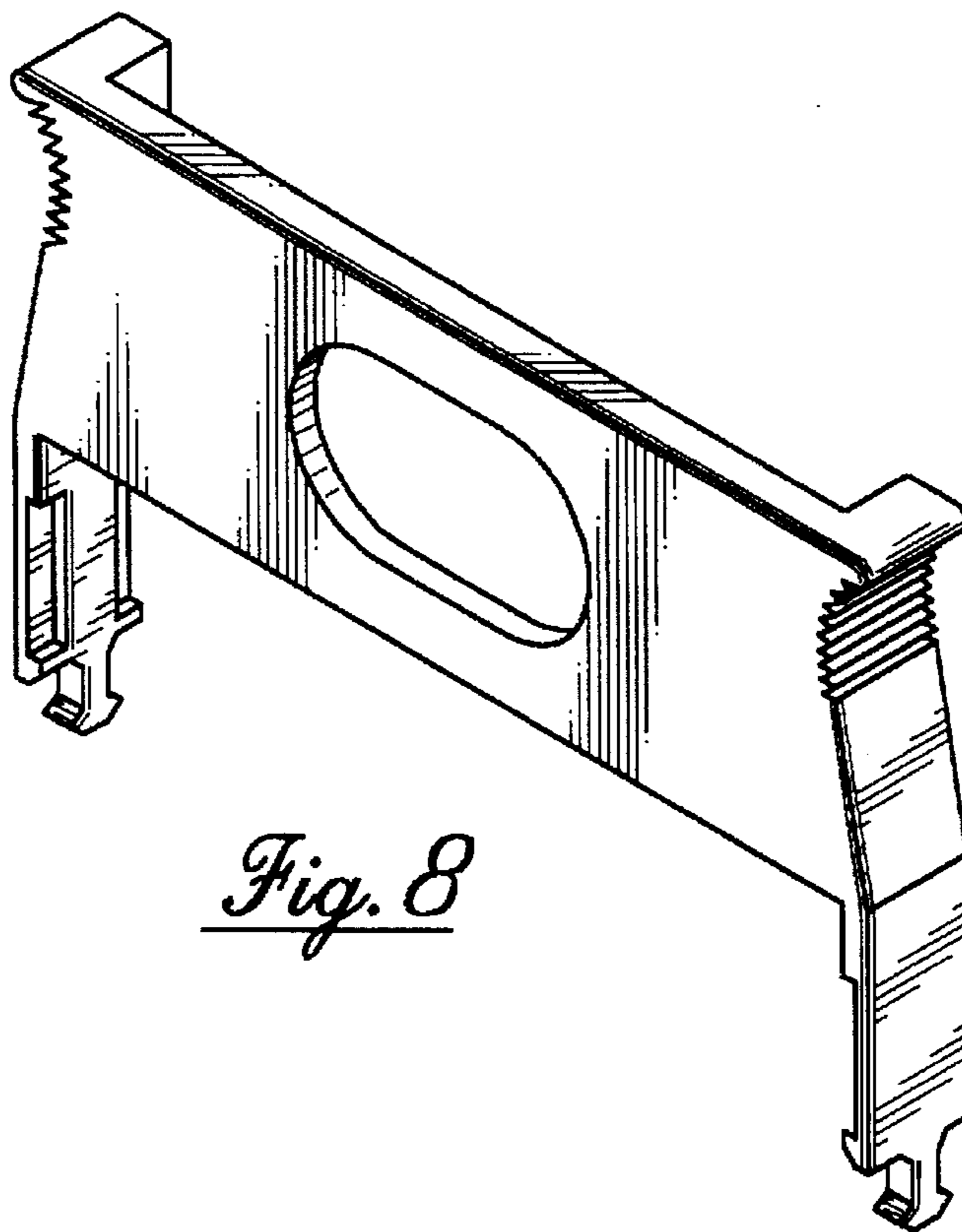


Fig. 8

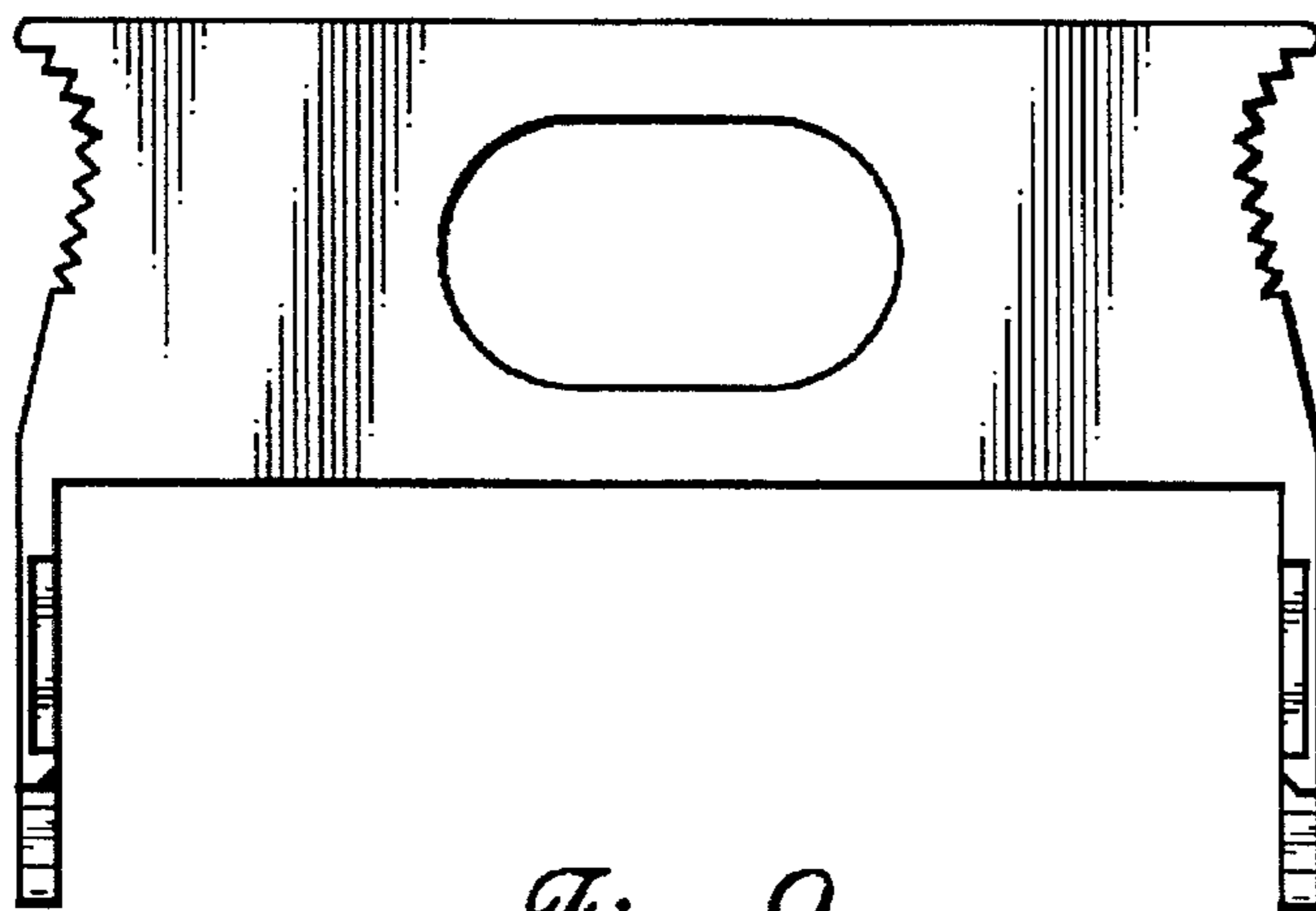


Fig. 9



Fig. 10

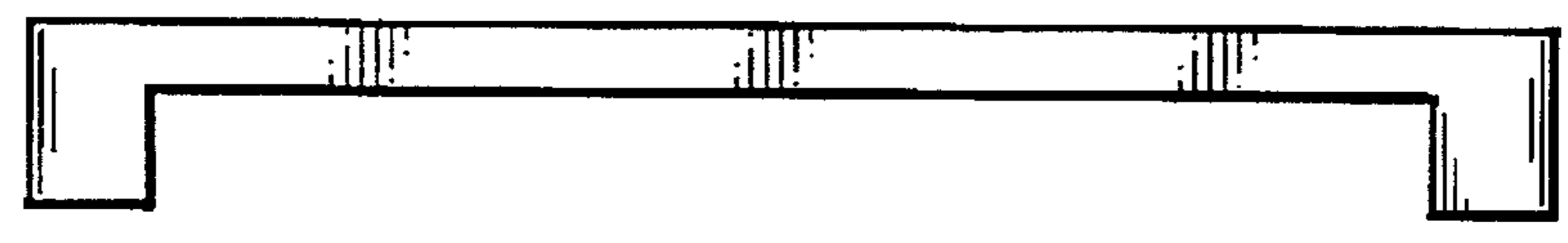


Fig. 11

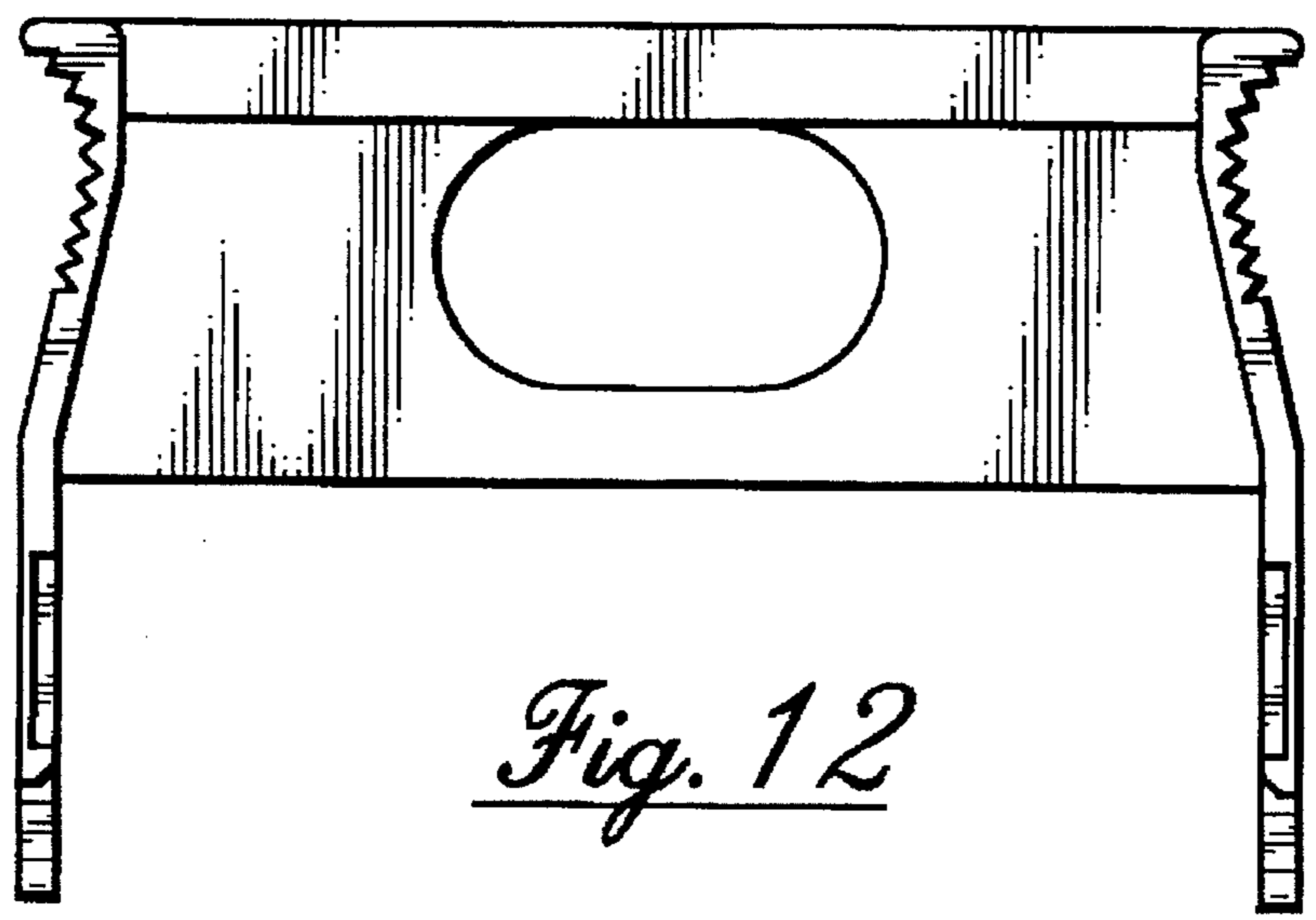


Fig. 12

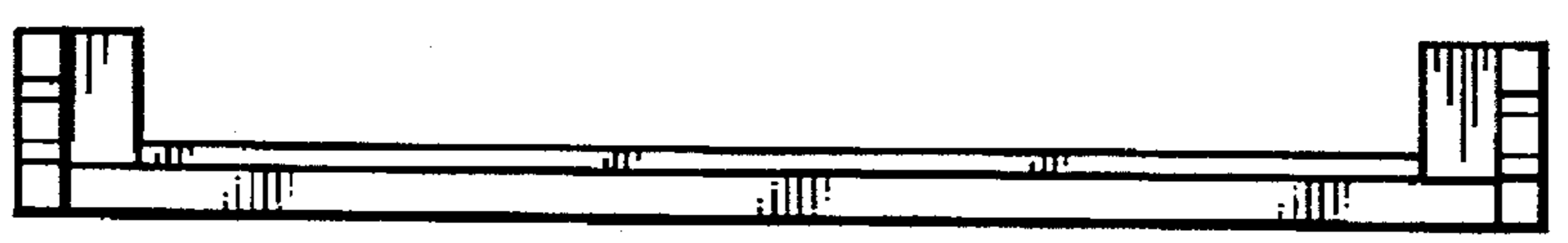


Fig. 13