



US00D379339S

# United States Patent [19]

Guspodin et al.

[11] Patent Number: Des. 379,339

[45] Date of Patent: \*\*May 20, 1997

## [54] TIRE TREAD

[75] Inventors: **James G. Guspodin**, Akron; **Leonard F. Blankenship**, Sterling, both of Ohio

[73] Assignee: **Bridgestone/Firestone, Inc.**, Akron, Ohio

[\*\*] Term: 14 Years

[21] Appl. No.: 44,354

[22] Filed: Sep. 22, 1995

[51] LOC (6) Cl. .... 12-15

[52] U.S. Cl. .... D12/147

[58] Field of Search ..... D12/141-143, D12/146-148; 152/209 R, 209 D

## [56] References Cited

### U.S. PATENT DOCUMENTS

D. 328,268	7/1992	Constant	.....	D12/146
D. 328,580	8/1992	Killian	.....	D12/147
D. 341,345	11/1993	Killian	.....	D12/146
D. 344,051	2/1994	Attinello et al.	.....	D12/147
D. 344,053	2/1994	Attinello et al.	.....	D12/147
4,815,512	3/1989	Gerresheim et al.	.....	152/209 R
5,269,357	12/1993	Killian	.....	152/209 R

### FOREIGN PATENT DOCUMENTS

836518 5/1992 Japan .

## OTHER PUBLICATIONS

Hallmark Super Ride tire, *1994 Tread Design Guide*, p. 31, top row, center.

*Primary Examiner*—James Gandy  
*Assistant Examiner*—Robert M. Spear  
*Attorney, Agent, or Firm*—Carmen S. Santa Maria

## [57] CLAIM

The ornamental design for a tire tread, as shown and described.

## DESCRIPTION

FIG. 1 is a side perspective view of a tire tread showing our new design, it being understood that the tread pattern is repeated throughout the circumference of the tire tread, the opposite side being substantially the same as that shown;

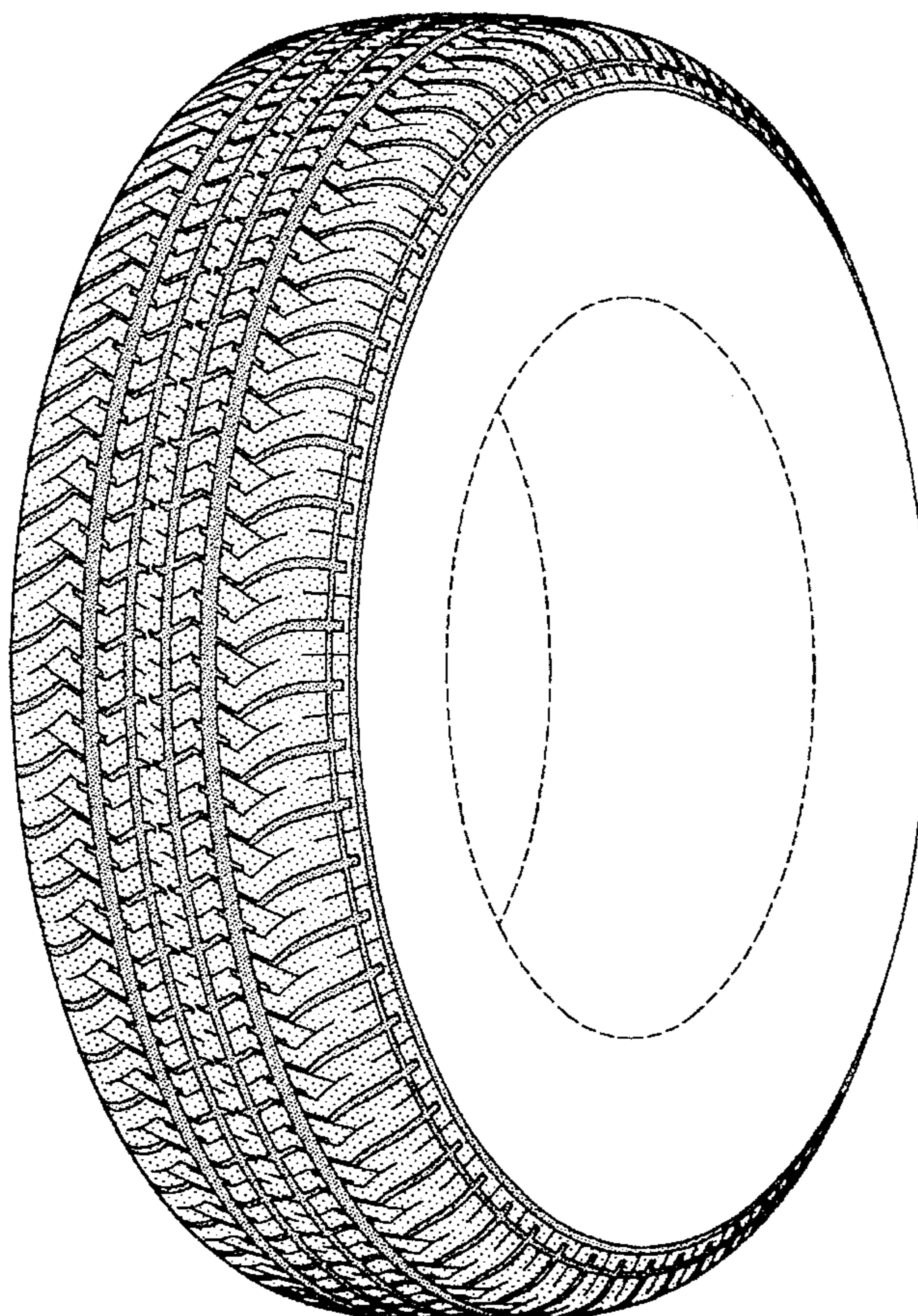
FIG. 2 is a front elevational view thereof;

FIG. 3 is a side elevational view of the right side thereof, the opposite side being identical thereto; and,

FIG. 4 is an enlarged fragmentary front elevational view thereof.

The broken line showing of a tire sidewall is for illustrative purposes only and forms no part of the claimed design.

1 Claim, 4 Drawing Sheets





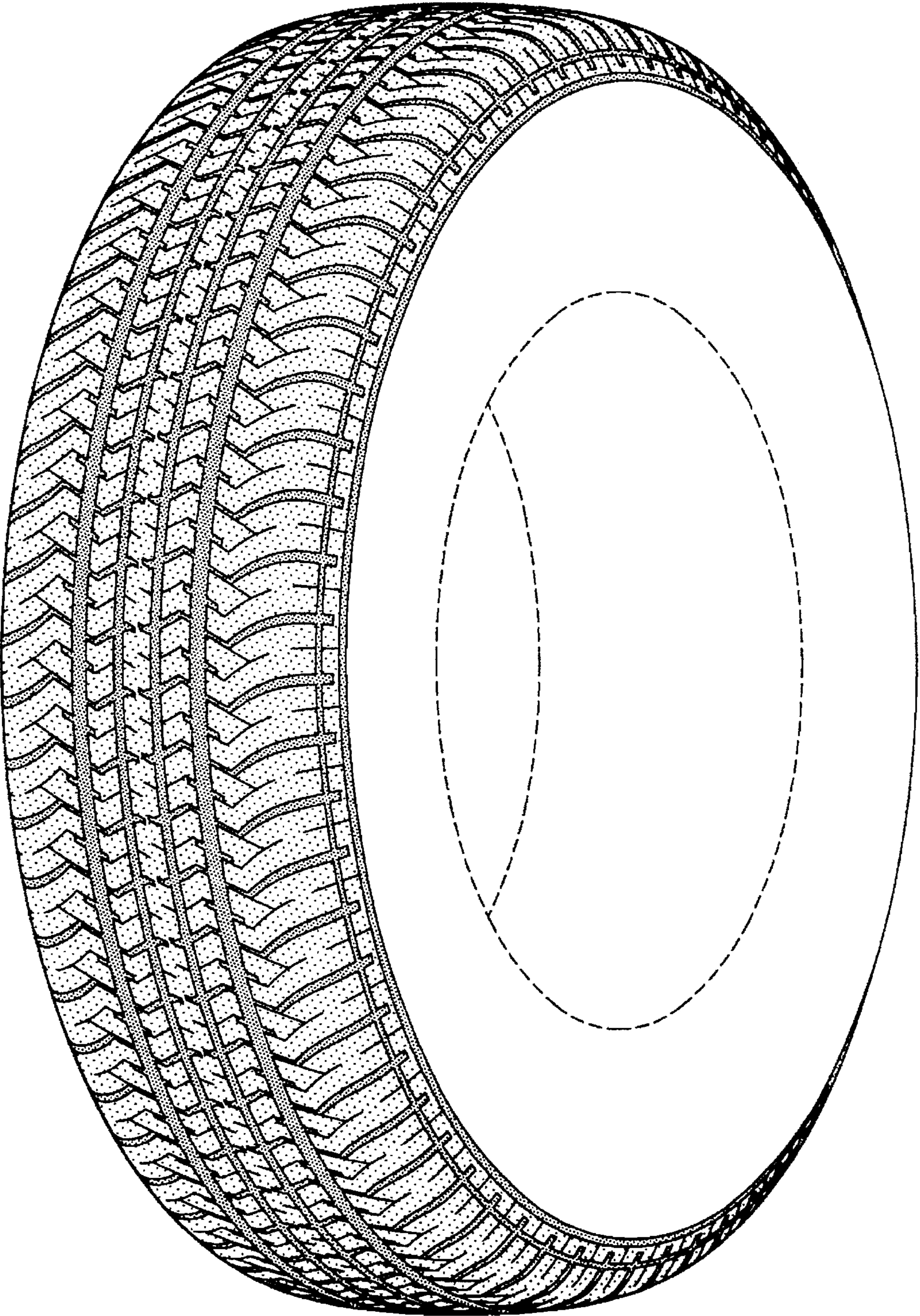


FIG-1



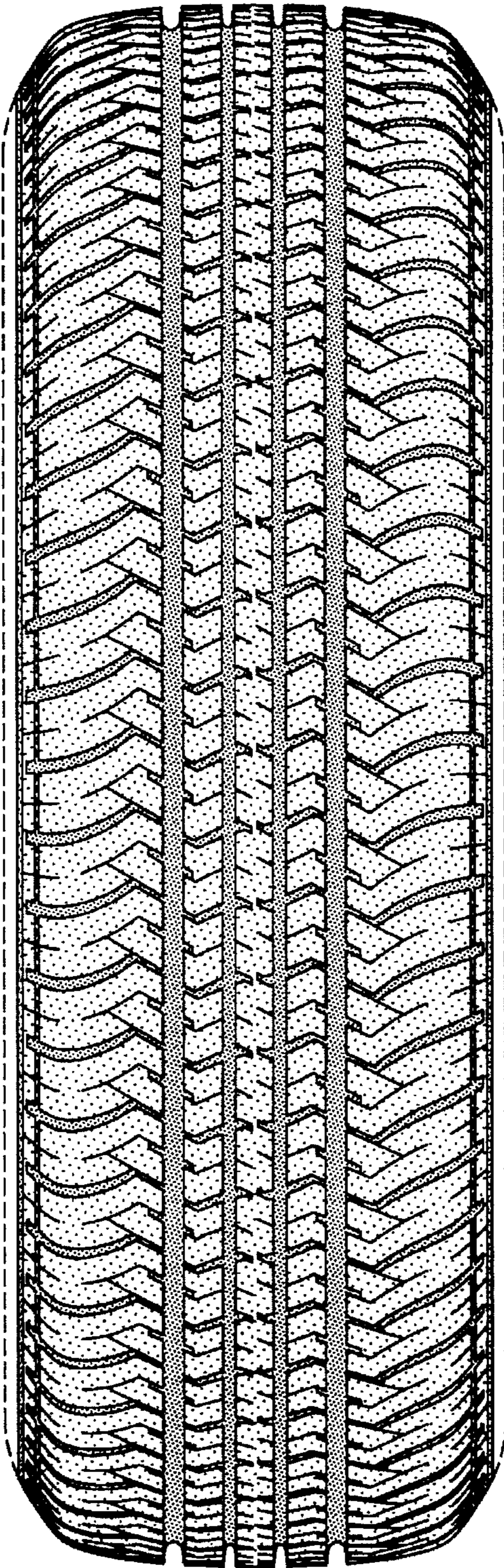


FIG-2

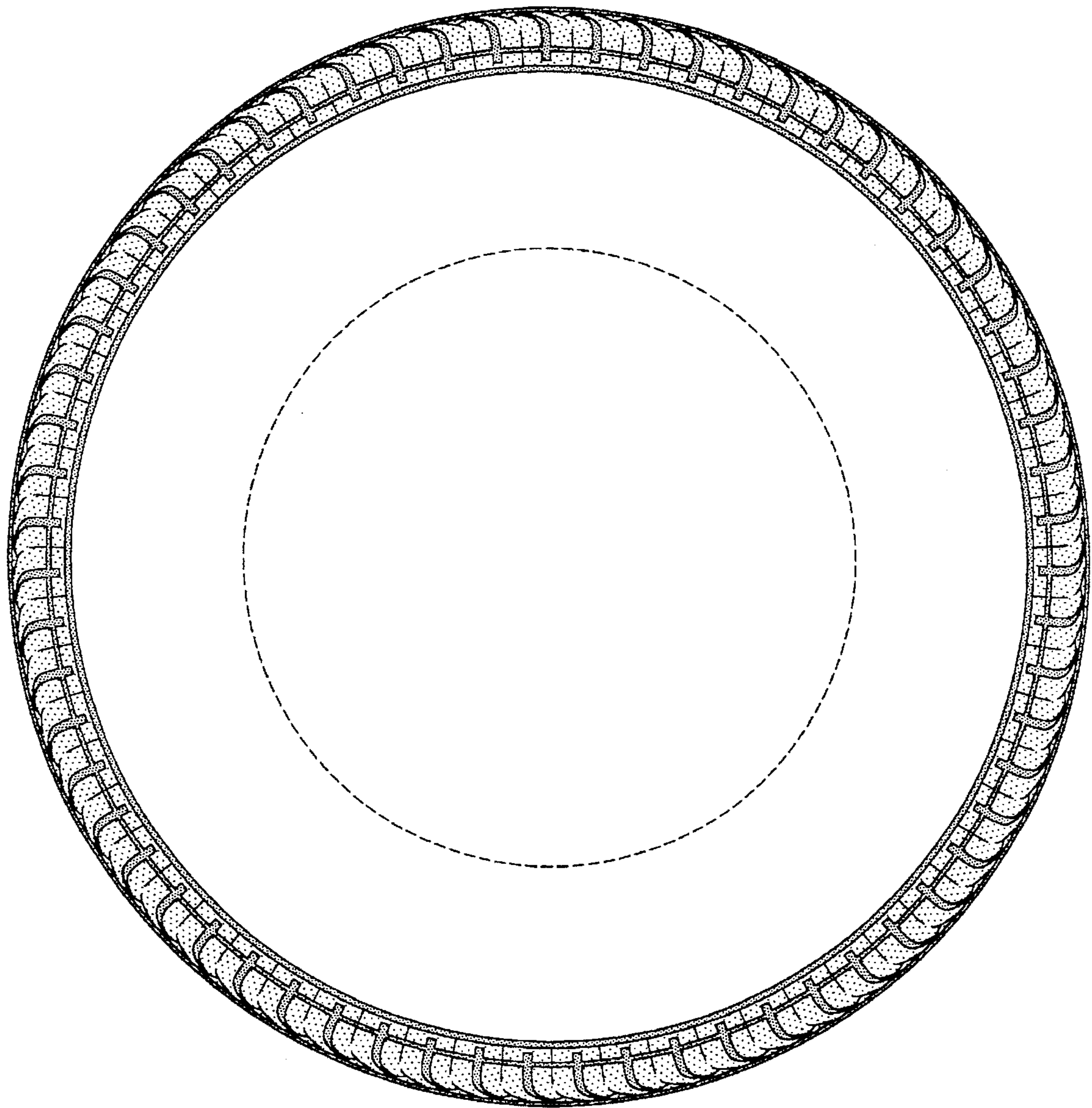


FIG-3



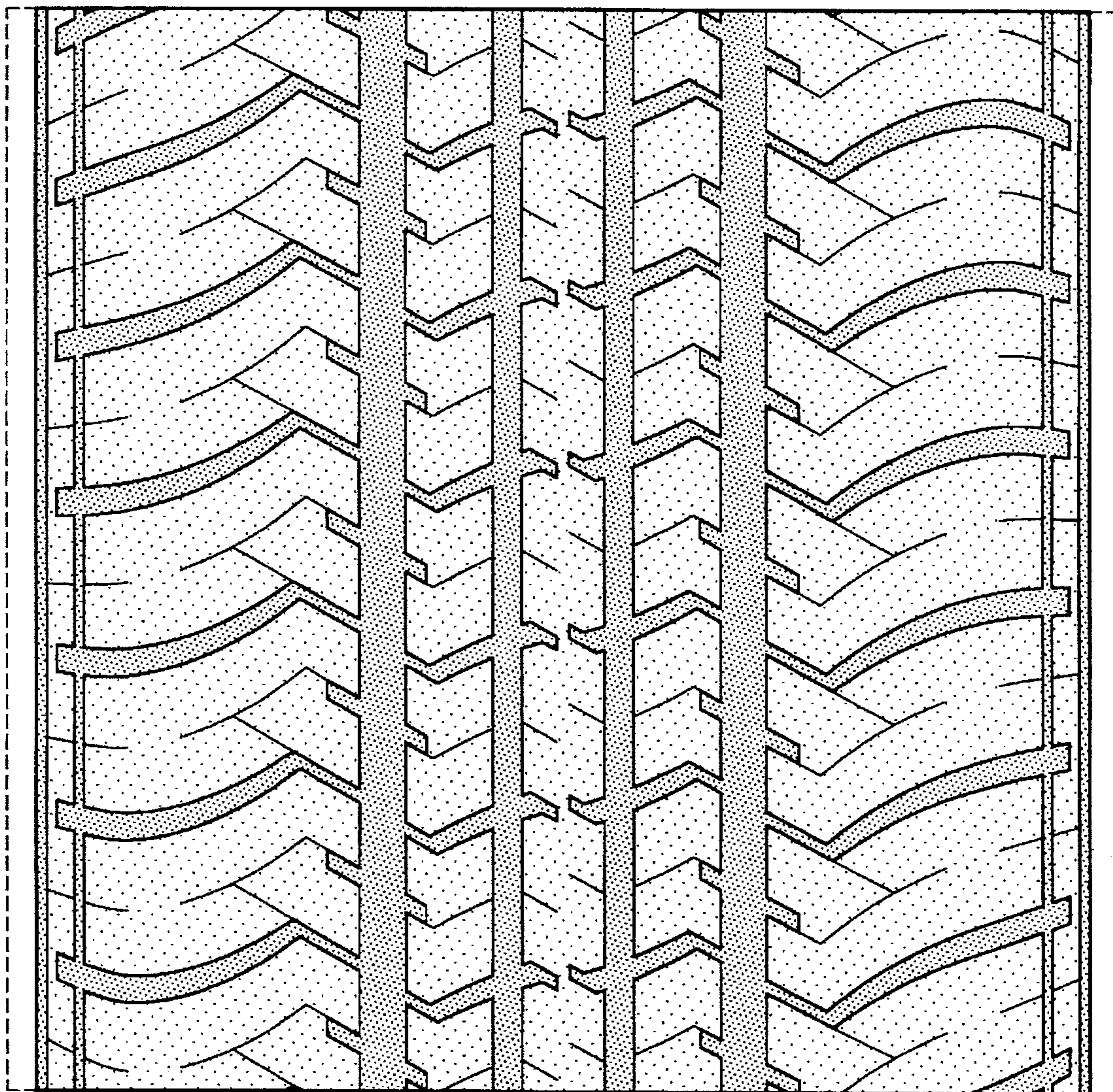


FIG-4