



US00D379333S

United States Patent [19]
Jacobs

[11] **Patent Number: Des. 379,333**
[45] **Date of Patent: **May 20, 1997**

[54] **FOLDABLE CONVERTIBLE TRAILER AND JOGGING STROLLER FOR TWO CHILDREN**

[75] **Inventor: Richard H. Jacobs, Brighton, Minn.**

[73] **Assignee: TRI Industries, Inc., Bloomington, Minn.**

[**] **Term: 14 Years**

[21] **Appl. No.: 49,108**

[22] **Filed: Jan. 17, 1996**

Related U.S. Application Data

[63] **Continuation-in-part of Ser. No. 114,738, Aug. 30, 1993.**

[51] **LOC (6) Cl. 12-12**

[52] **U.S. Cl. D12/129; D34/24**

[58] **Field of Search D34/24, 12; D12/129, D12/128, 114; 280/204, 47.25, 47.18, 282**

[56] **References Cited**

U.S. PATENT DOCUMENTS

- D. 204,254 4/1966 Cerf .
- D. 206,116 11/1966 Hughes .
- D. 274,714 7/1984 Cone .
- D. 290,825 7/1987 Mathies et al. .
- D. 297,525 9/1988 Baechler .
- D. 301,850 6/1989 Clement et al. .
- D. 315,885 4/1991 Jacobs .
- D. 356,761 3/1995 Jacobs et al. D12/129
- 699,186 5/1902 Katzke .
- 716,972 12/1902 Whitmore et al. .
- 2,425,688 8/1947 Schulte .
- 2,455,119 11/1948 Hall .
- 2,781,225 2/1957 Heideman .
- 3,052,480 9/1962 Sanstrom .
- 3,110,504 11/1963 Myers .
- 3,305,244 2/1967 Flagg .
- 3,403,744 10/1968 Dinkel .
- 3,575,461 4/1971 Goldman et al. .
- 3,605,929 9/1971 Rolland .
- 3,656,777 4/1972 Keiser, Jr. .
- 3,698,502 10/1972 Patin .
- 3,712,636 1/1973 Gesslein .

- 3,781,031 12/1973 Patin .
- 3,848,890 11/1974 MacAlpine .
- 3,873,116 3/1975 Perego .
- 3,877,723 4/1975 Fabey et al. .
- 3,909,043 9/1975 Black .
- 4,029,329 6/1977 Chambers .
- 4,064,957 12/1977 Parham .

(List continued on next page.)

FOREIGN PATENT DOCUMENTS

- 2579544 10/1986 France .
- 213538 9/1909 Germany .
- 2348716 7/1974 Germany .
- 2741543 6/1978 Germany .
- 3435575 4/1986 Germany .
- 851163 10/1960 United Kingdom .
- 2099765 12/1982 United Kingdom .
- 2204282 11/1988 United Kingdom .

OTHER PUBLICATIONS

Cannondale Bicycle Trailer Seat 280/284 Oct. 10, 1990.

Primary Examiner—Kay H. Chin

Attorney, Agent, or Firm—Palmatier, Sjoquist, Helget & Voigt, P.A.

[57] **CLAIM**

The ornamental design for a foldable convertible trailer and jogging stroller for two children, as shown and described.

DESCRIPTION

FIG. 1 is a top perspective view of a foldable convertible trailer and jogging stroller for two children showing my new design, the broken lines are for illustrative purposes only and form no part of the claimed design;

FIG. 2 is also a perspective view;

FIG. 3 is a front view;

FIG. 4 is a rear view;

FIG. 5 is a top plan view;

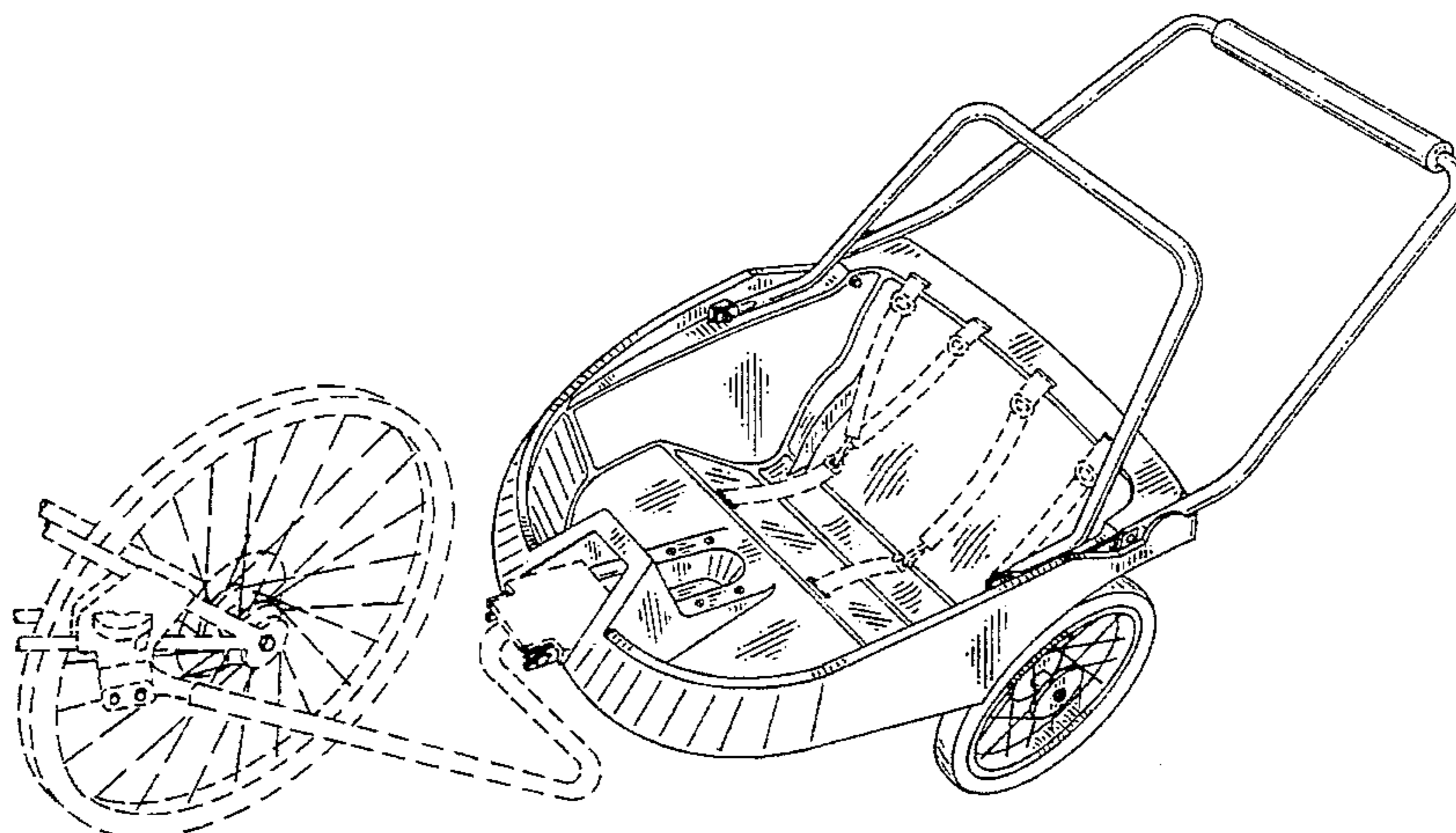
FIG. 6 is a bottom plan view;

FIG. 7 is a left side elevational view;

FIG. 8 is a right side elevational view; and,

FIG. 9 is a cross sectional view taken along lines 9—9 of FIG. 5.

1 Claim, 9 Drawing Sheets



U.S. PATENT DOCUMENTS

4,072,318	2/1978	Laune .	4,831,689	5/1989	Lo .
4,166,630	9/1979	Sullivan et al. .	4,902,027	2/1990	Skelly .
4,181,317	1/1980	Toda .	4,934,728	6/1990	Chen .
4,325,449	4/1982	D'Addio et al. .	4,953,880	9/1990	Sudakoff et al. .
4,346,912	8/1982	Habib .	4,993,743	2/1991	Takahashi et al. .
4,353,567	10/1982	Weldy .	5,029,891	7/1991	Jacobs .
4,361,338	11/1982	Kuchenbecker et al. .	5,039,120	8/1991	Stowe .
4,369,987	1/1983	Witherell .	5,076,599	12/1991	Lockett et al. .
4,373,740	2/1983	Hendrix .	5,087,066	2/1992	Mong-Hsing .
4,403,673	9/1983	Ball .	5,123,670	6/1992	Chen .
4,408,776	10/1983	Randolph et al. .	5,176,395	1/1993	Garforth-Bles .
4,422,663	12/1983	Hon .	5,205,577	4/1993	Liu .
4,526,390	7/1985	Skolnik .	5,207,439	5/1993	Mortenson .
4,542,915	9/1985	Wheeler, III et al. .	5,257,799	11/1993	Cone et al. .
4,586,721	5/1986	Harada et al. .	5,259,634	11/1993	Berner et al. .
4,606,550	8/1986	Cone .	5,265,891	11/1993	Diehl .
4,618,184	10/1986	Harvey .	5,301,963	4/1994	Chen .
4,632,420	12/1986	Miyagi .	5,308,096	5/1994	Smith .
4,741,551	5/1988	Perego .	5,356,171	10/1994	Schmidlin et al. .
4,756,541	7/1988	Albitre .	5,460,395	10/1995	Chen .
4,828,278	5/1989	Nakao et al. .	5,522,614	6/1996	Eyman et al. .

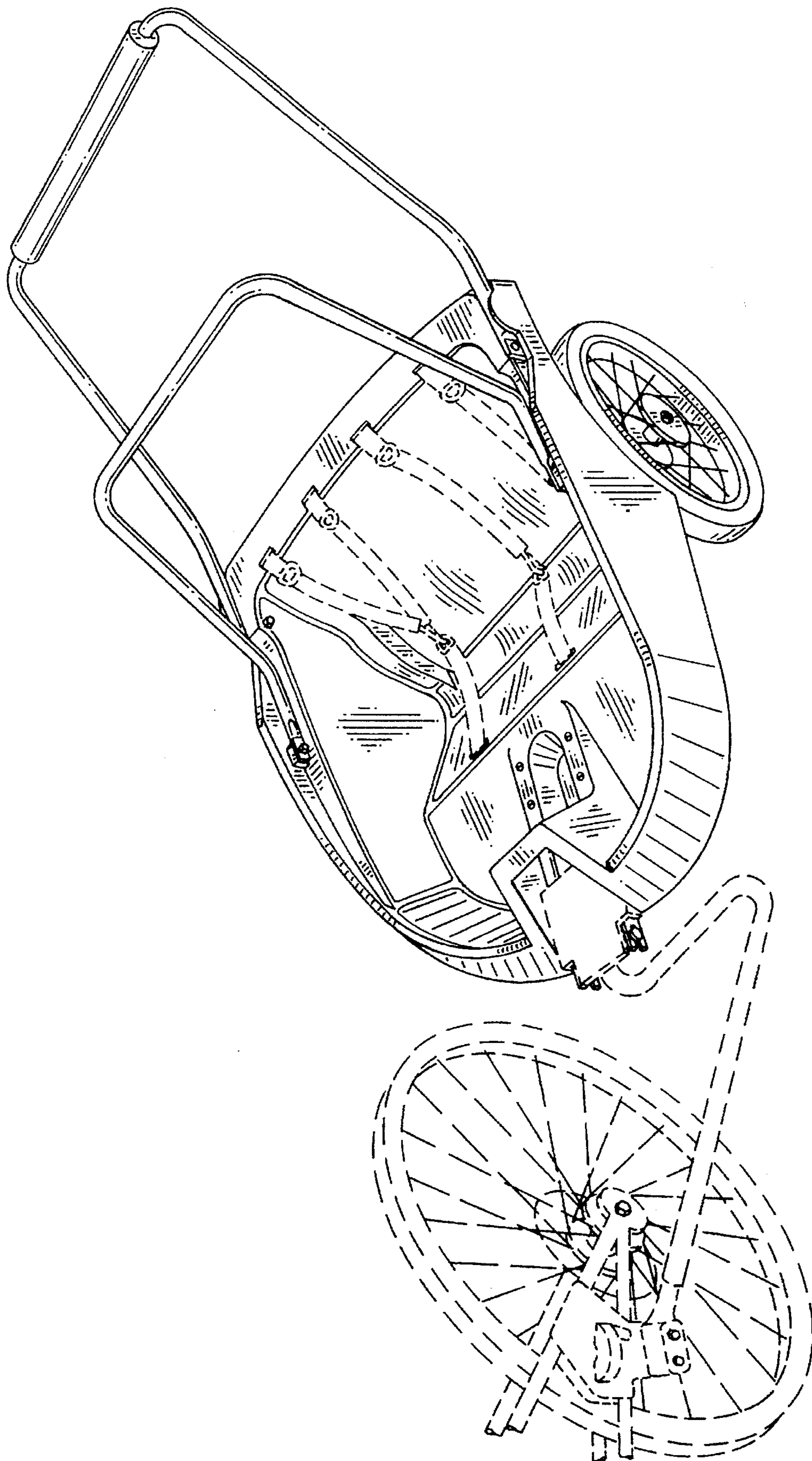


FIG. 1

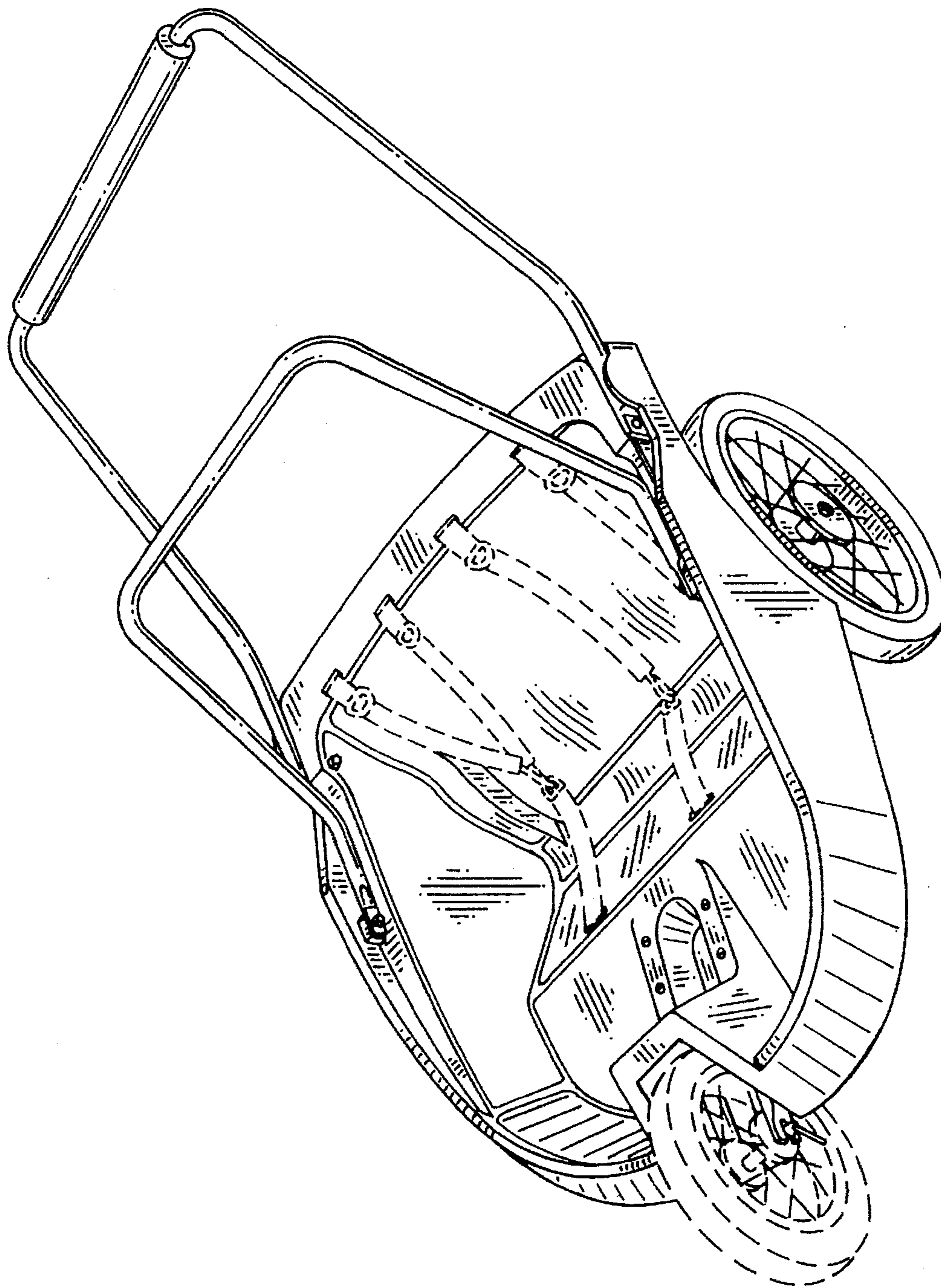


FIG. 2

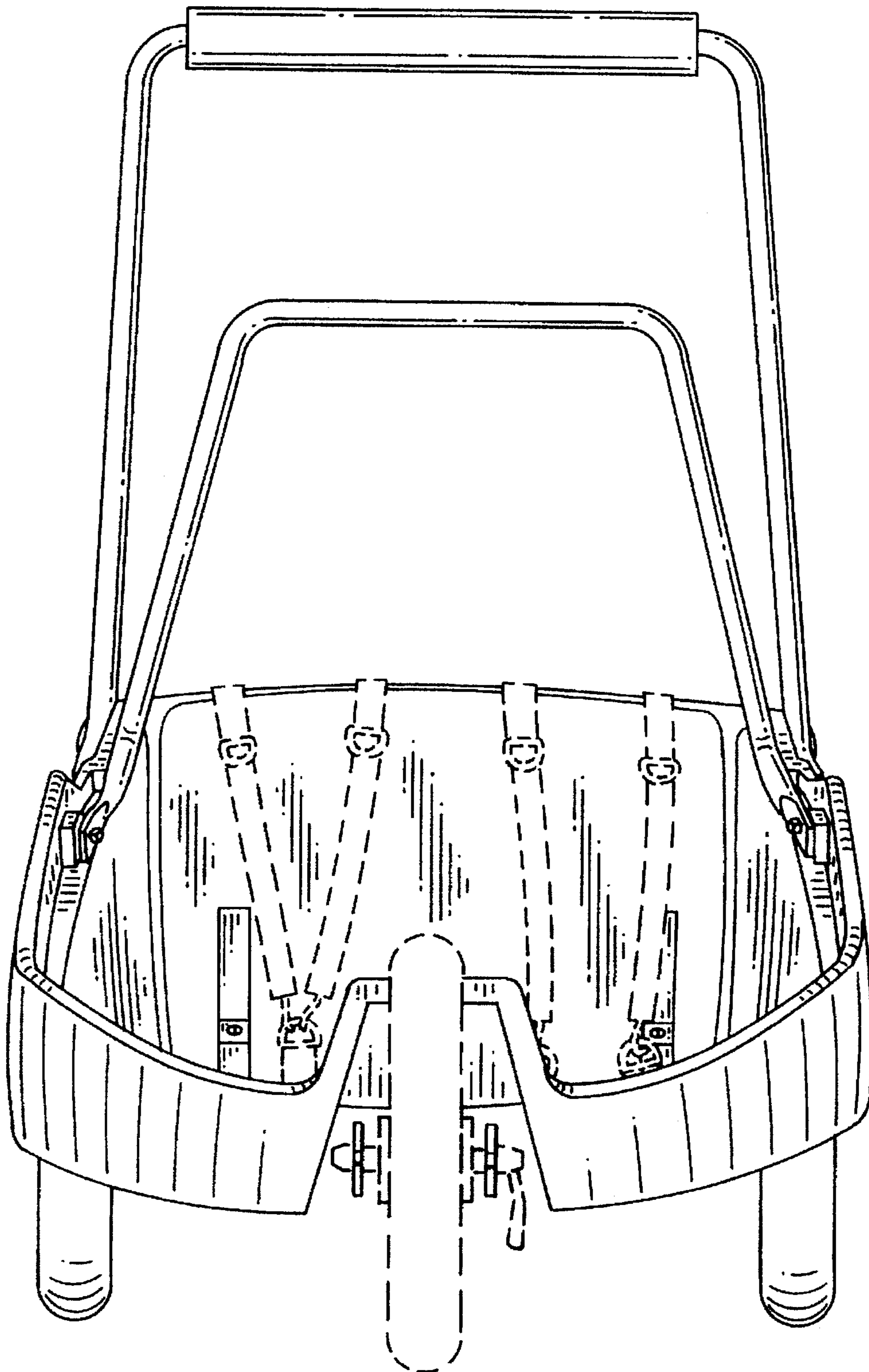


FIG. 3

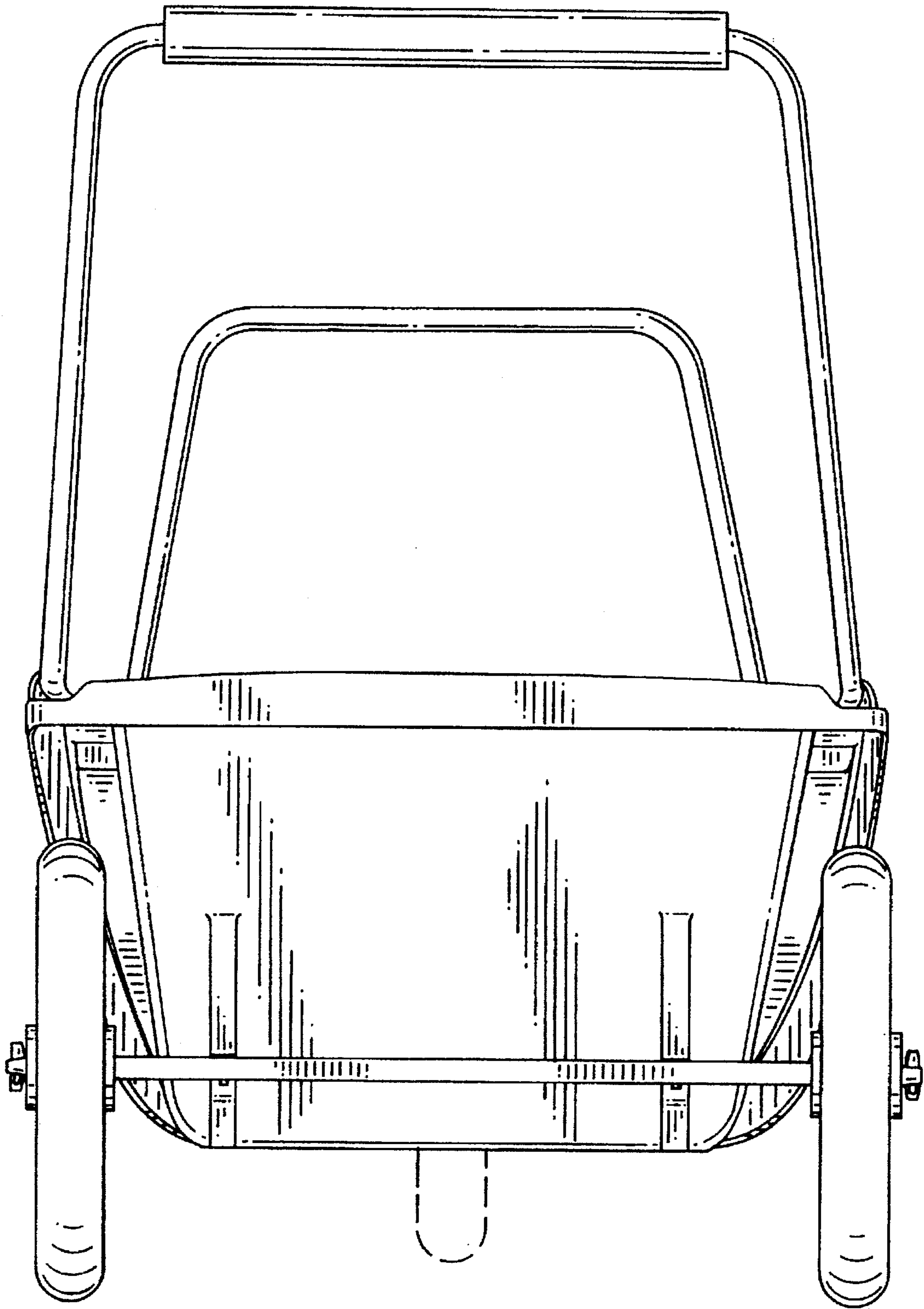


FIG. 4

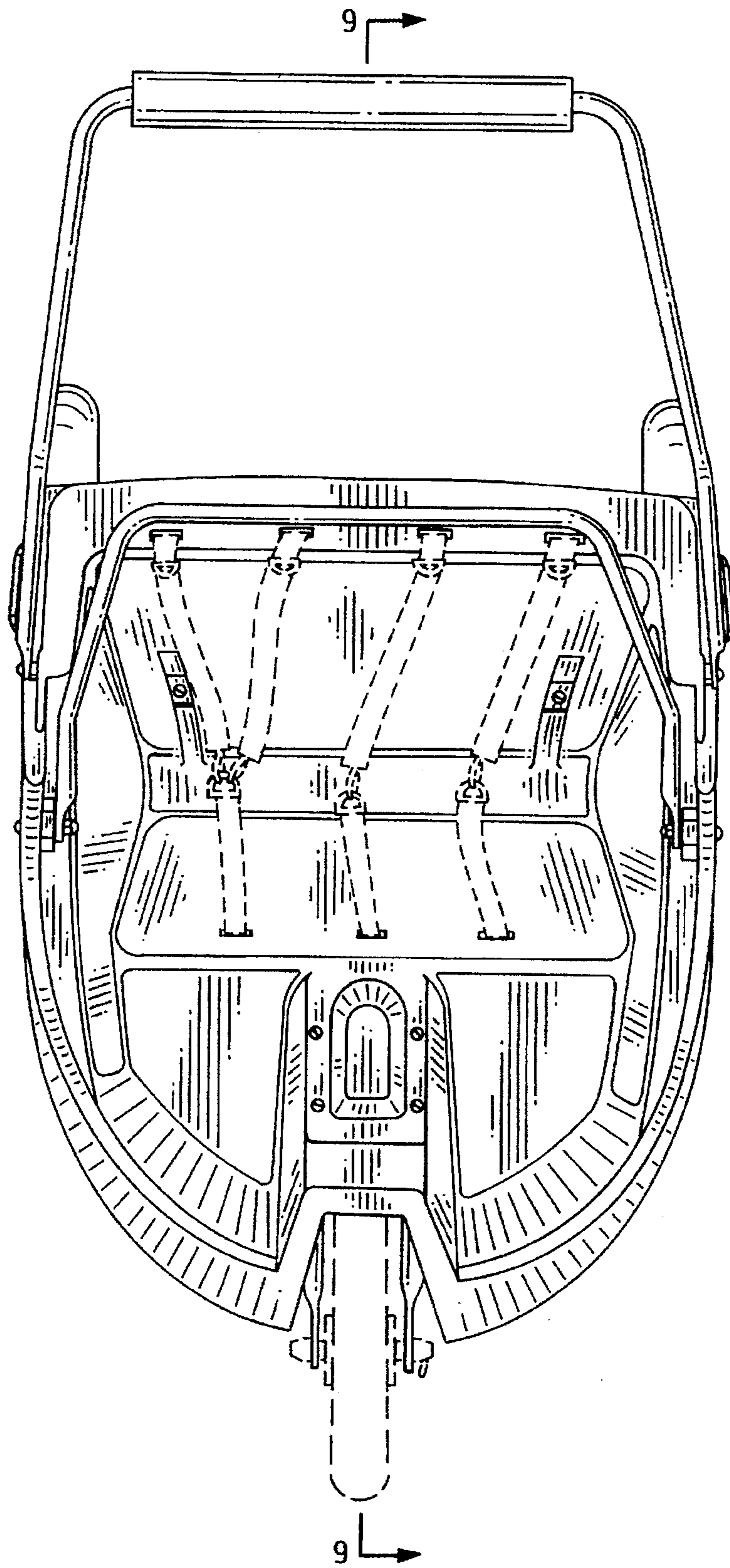


FIG. 5

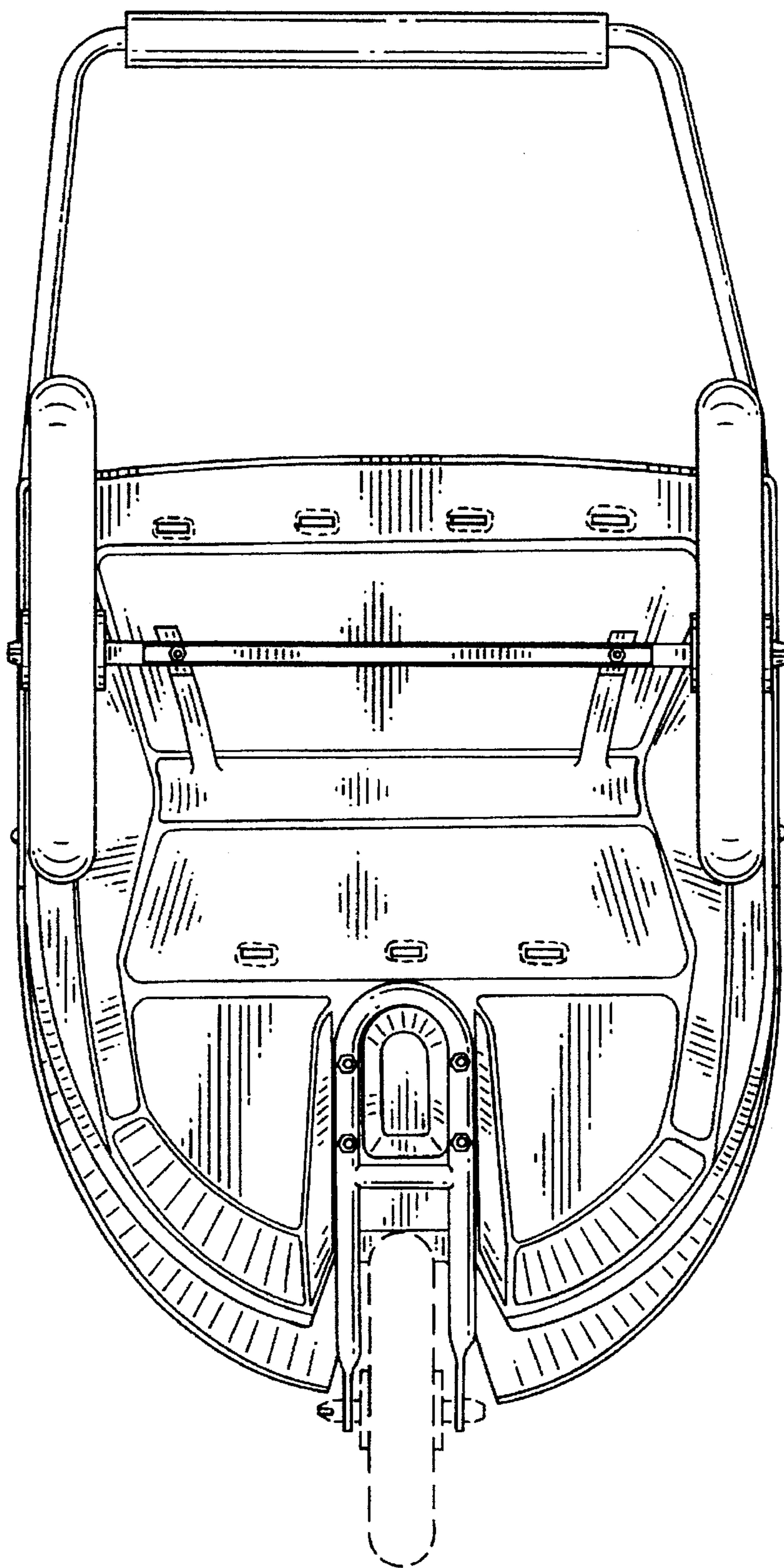


FIG. 6

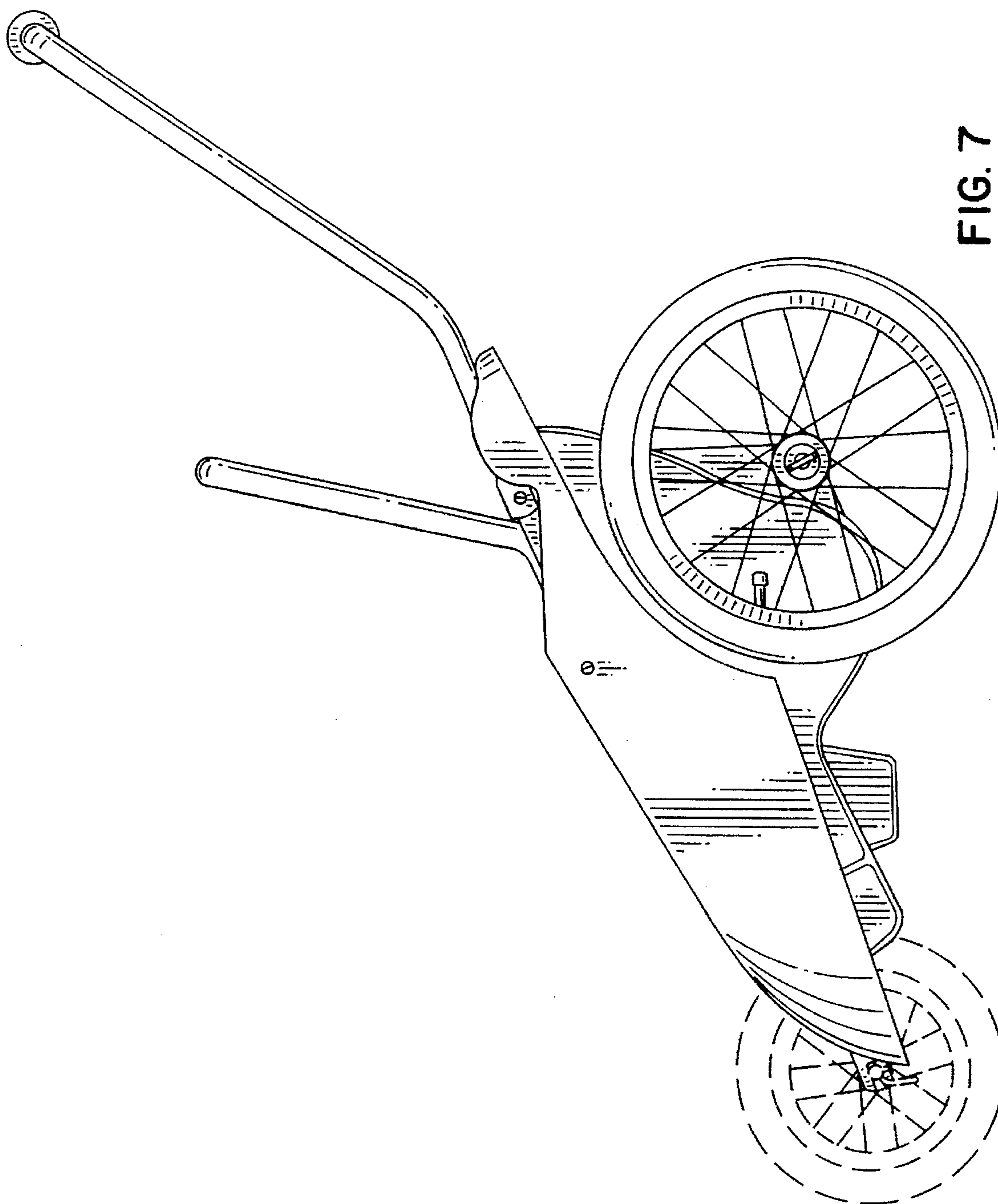


FIG. 7

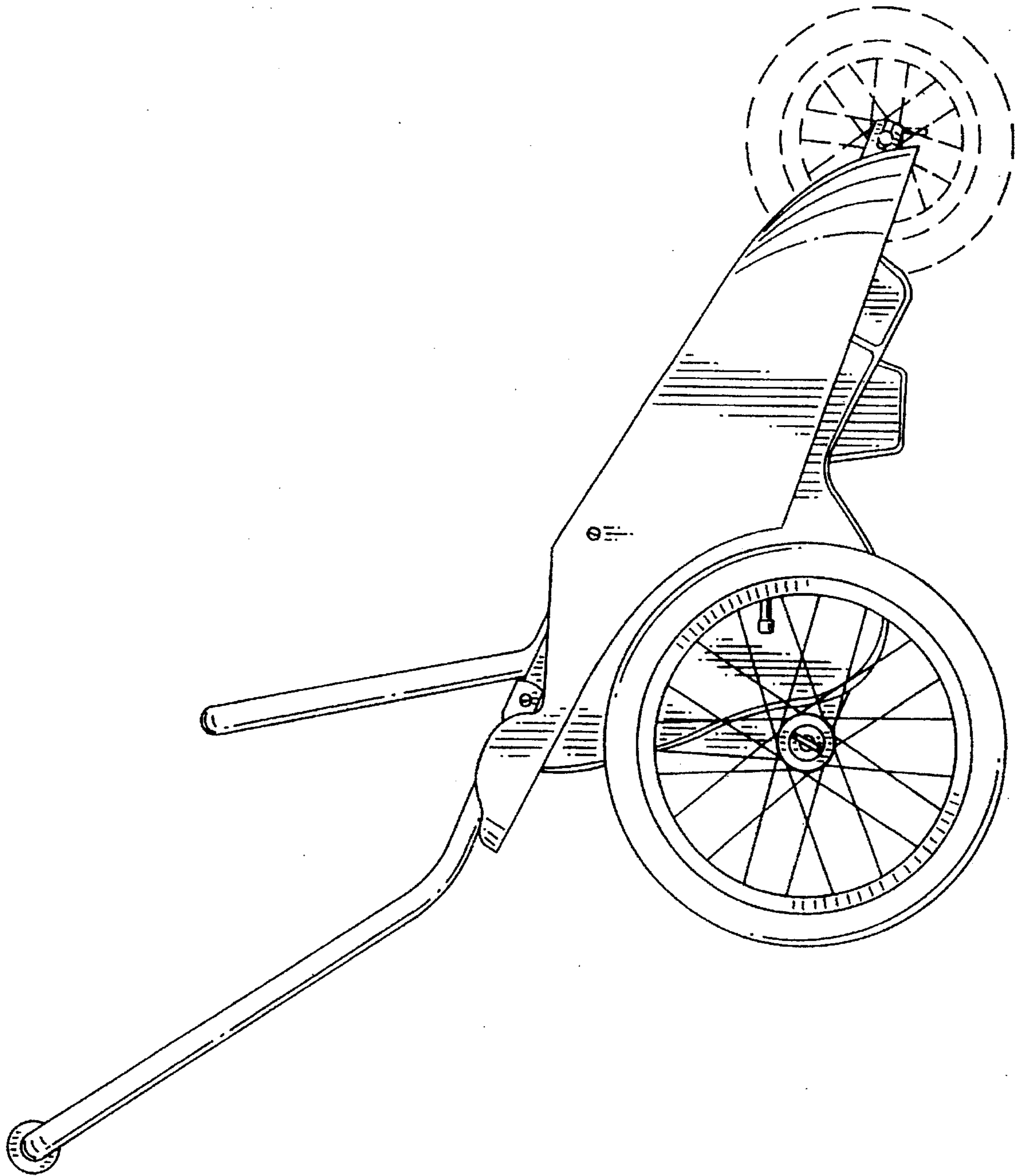


FIG. 8

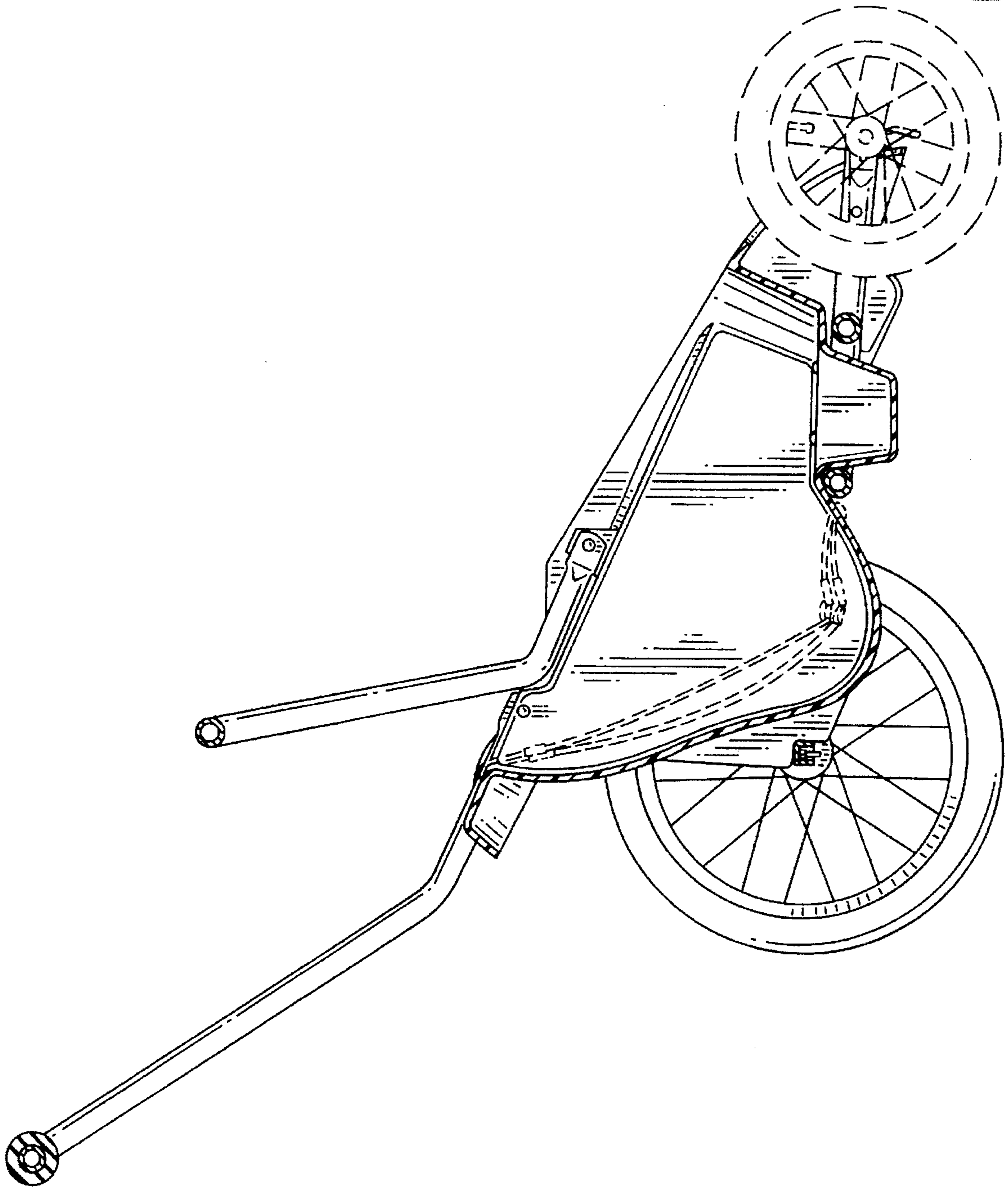


FIG. 9