



US00D379322S

**United States Patent** [19]  
**Campilan**

[11] **Patent Number: Des. 379,322**  
[45] **Date of Patent: \*\*May 20, 1997**

[54] **BEZEL RING FOR ANALOG WRISTWATCH**

[75] Inventor: **Rolando R. L. Campilan**, Cebu,  
Philippines

[73] Assignee: **Timex Corporation**, Middlebury, Conn.

[\*\*] Term: **14 Years**

[21] Appl. No.: **44,440**

[22] Filed: **Sep. 25, 1995**

[51] **LOC (6) Cl.** ..... **10-02**

[52] **U.S. Cl.** ..... **D10/128**

[58] **Field of Search** ..... D10/1-40, 122-132;  
368/276-277, 285, 316-317, 290-296

[56] **References Cited**

**U.S. PATENT DOCUMENTS**

D. 326,058	5/1992	Schneider	.....	D10/39
D. 327,020	6/1992	Grädel	.....	D10/30
D. 334,890	4/1993	Meyer	.....	D10/30
D. 349,250	8/1994	Moriai	.....	D10/38

**OTHER PUBLICATIONS**

Pp. 19 and 28 of Timex '96 Catalog.  
*Swiss Watch & Jewelry Journal*—Feb. 1988—p. 207—  
watches in right column.

*Primary Examiner*—Nelson C. Holtje  
*Attorney, Agent, or Firm*—William C. Crutcher

[57] **CLAIM**

The ornamental design for bezel ring for analog wristwatch,  
as shown and described.

**DESCRIPTION**

FIG. 1 is a top plan view of my improved bezel ring for an  
analog wristwatch;

FIG. 2 is a right side elevational view thereof;

FIG. 3 is a left side elevational view thereof;

FIG. 4 is a front end elevational view thereof;

FIG. 5 is a rear end elevational view thereof; and,

FIG. 6 is a plan view thereof.

The watchcase and strap, portions of which are shown in  
dashed and phantom lines in FIG. 1, are not part of the  
design.

The broken line showing of a watchcase and band portions  
are environmental only and form no part of the claimed  
design.

**1 Claim, 1 Drawing Sheet**

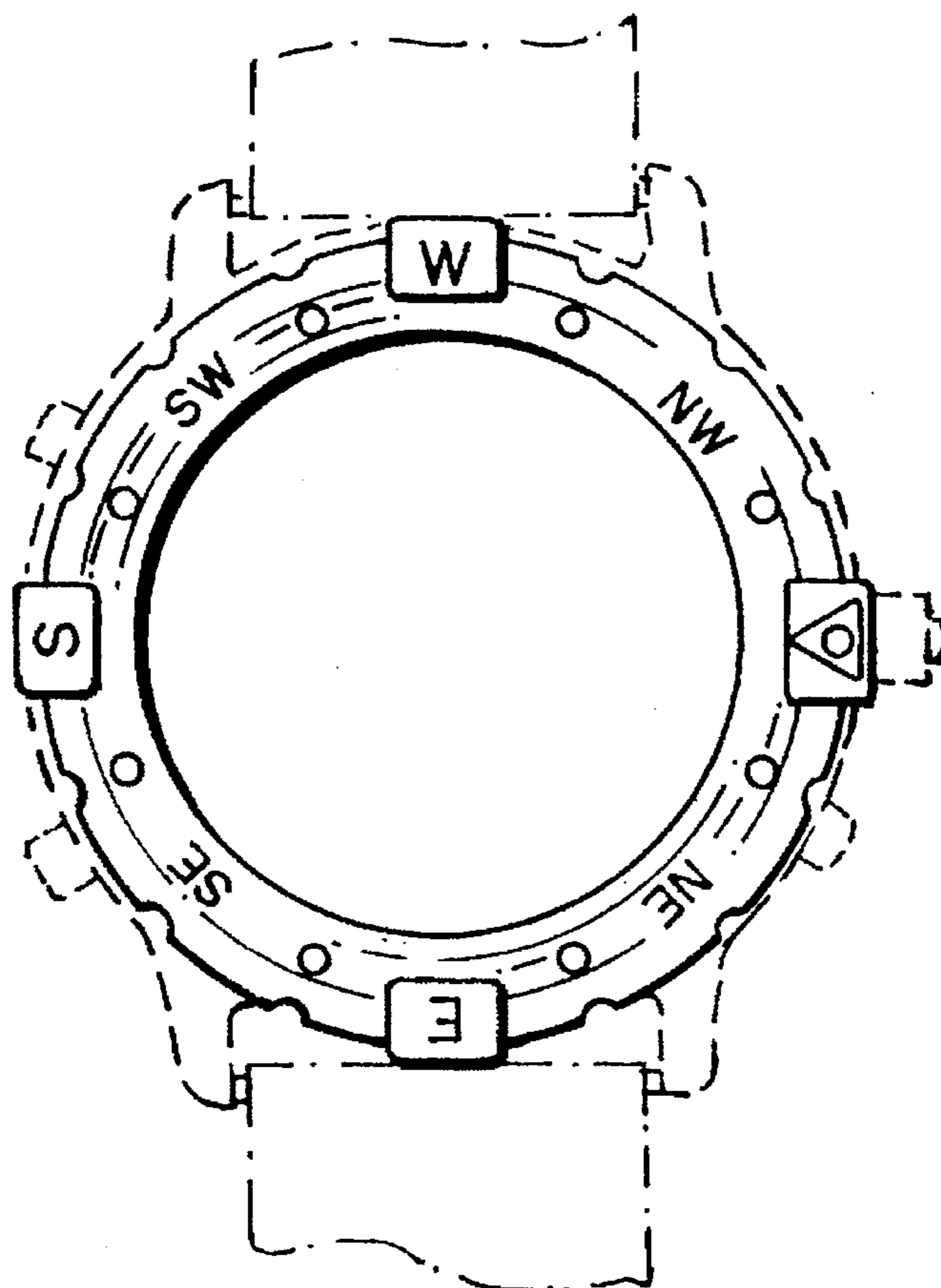




FIG. 5



FIG. 3

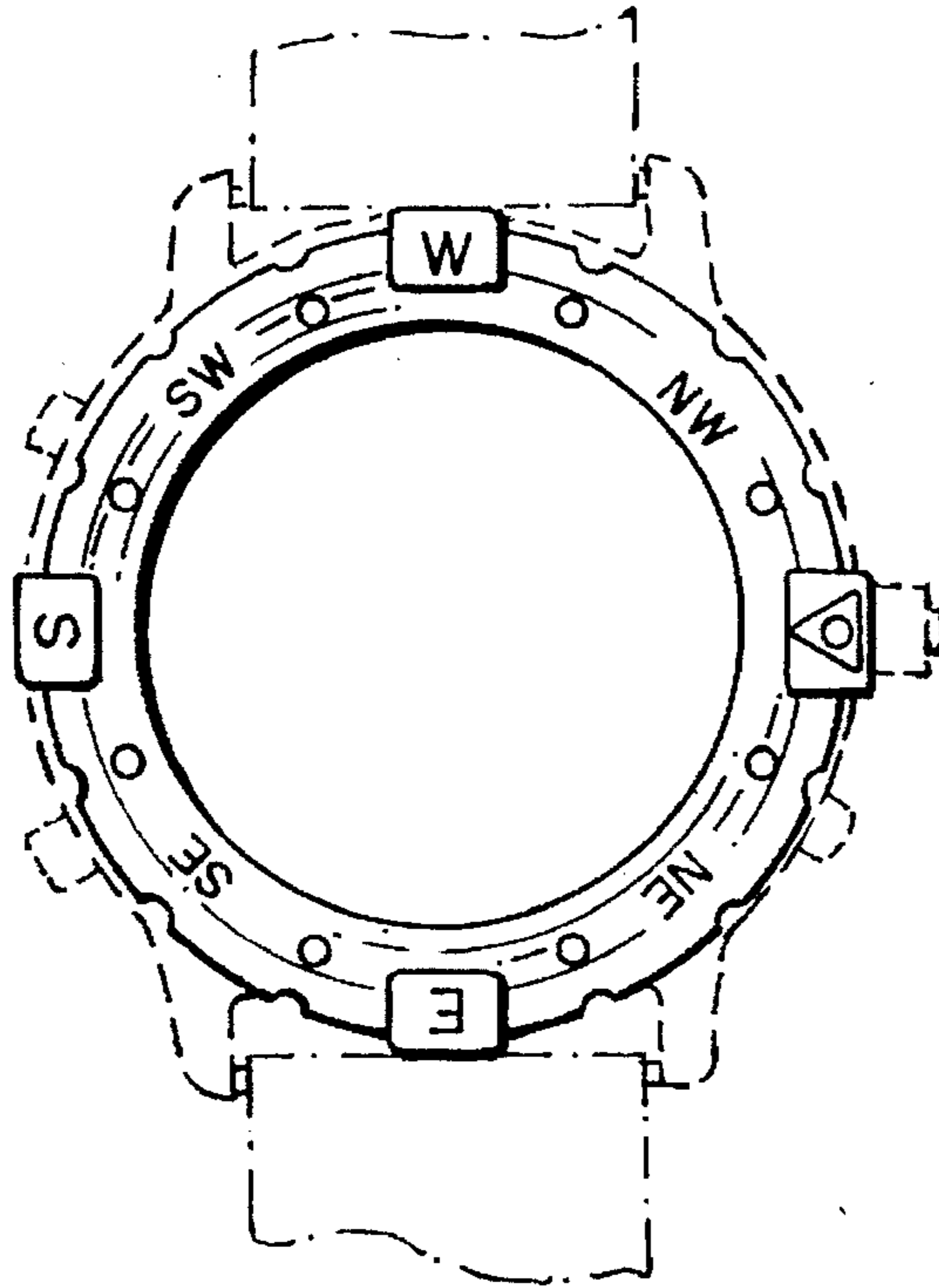


FIG. 1



FIG. 2



FIG. 4

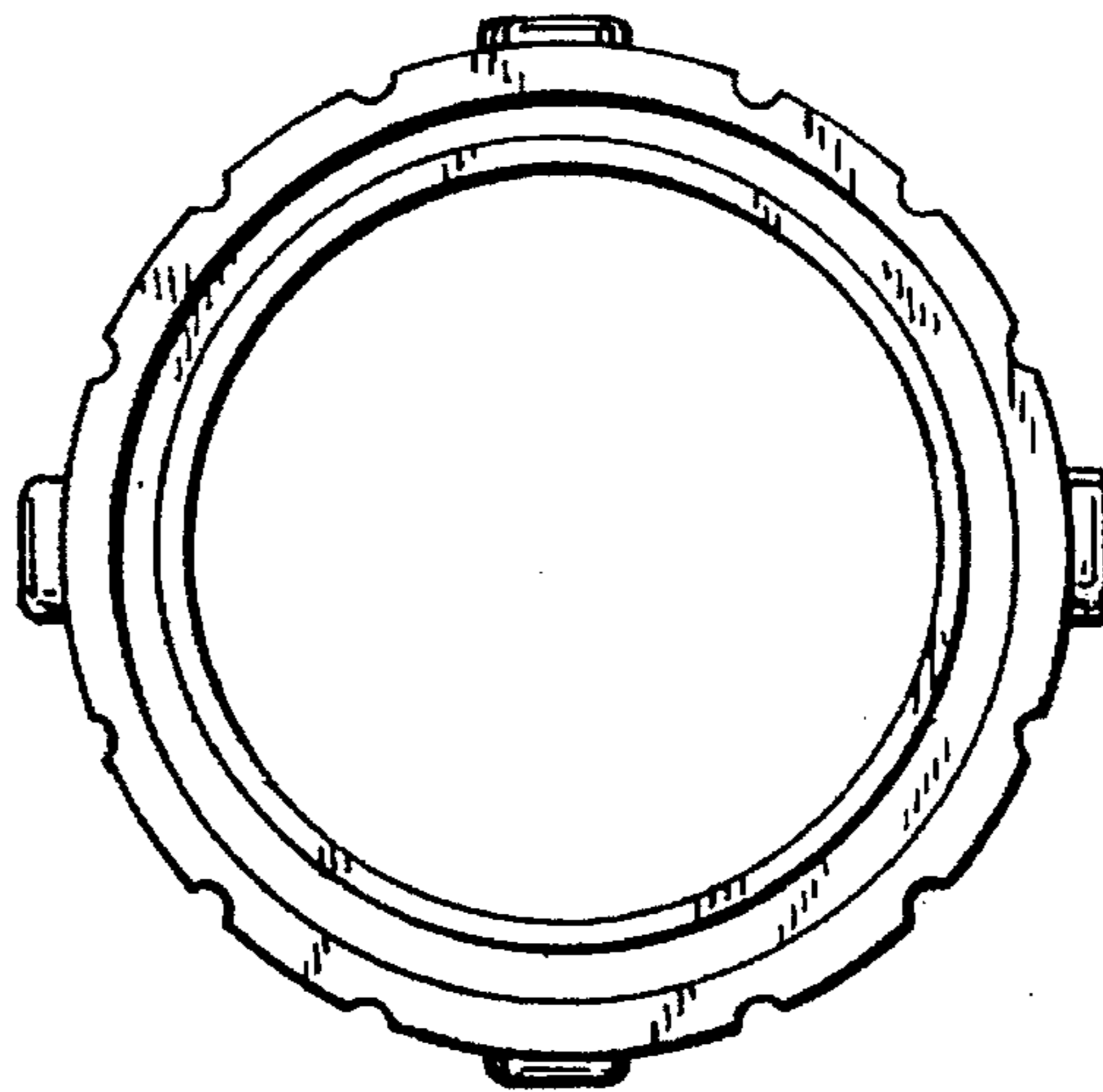


FIG. 6