



US00D379315S

United States Patent [19]

Woldenberg et al.

[11] Patent Number: **Des. 379,315**

[45] Date of Patent: ****May 20, 1997**

[54] EDUCATIONAL BALANCE

D. 245,767 9/1977 Myers D10/90
3,527,311 9/1970 Ohaus et al. 177/195 X

[76] Inventors: **Richard Woldenberg**, 176 Hastings, Highland Park, Ill. 60035; **Eric J. Toriumi**, 1340 W. Touhy Ave., #407, Chicago, Ill. 60626; **Lonnie Pogue**, 1736 W. Montecito Way, San Diego, Calif. 92103; **Brian Macowski**, 2088 Montgomery Ave., Apt. N, Cardiff By The Sea, Calif. 92007

Primary Examiner—Antoine Duval Davis
Attorney, Agent, or Firm—Laff, Whitesel, Conte & Saret, Ltd.

[**] Term: **14 Years**

[57] CLAIM

The ornamental design for an educational balance, as shown and described.

[21] Appl. No.: **48,807**

DESCRIPTION

[22] Filed: **Dec. 22, 1995**

FIG. 1 is a front elevation view of the invention;
FIG. 2 is a left side elevation view of the invention;
FIG. 3 is a rear elevation view of the invention;
FIG. 4 is a right side elevation view of the invention;
FIG. 4a is an elevation view of the portion of FIG. 4 circled in dotted lines, showing the open lid for the weight compartment;
FIG. 5 is a top plan view of the invention; and,
FIG. 6 is a bottom plan view of the invention.

[51] LOC (6) Cl. **10-04**

[52] U.S. Cl. **D10/90**

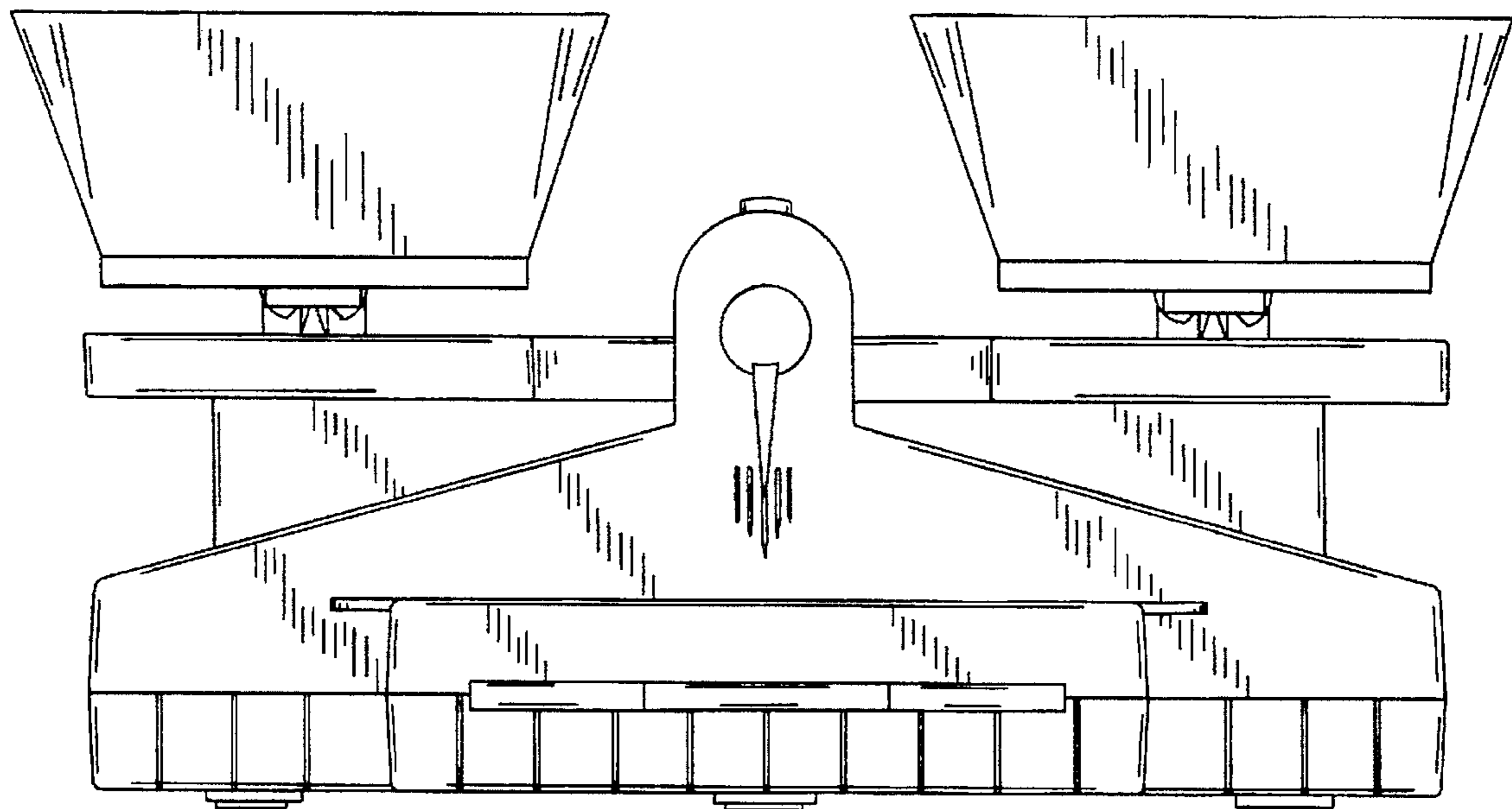
[58] Field of Search D10/90; 177/190-195,
177/199, 200, 201, 225-237, 238, 243,
246, 253, 255; 434/188-216

[56] References Cited

U.S. PATENT DOCUMENTS

D. 212,907 12/1968 Leotta D10/90

1 Claim, 3 Drawing Sheets



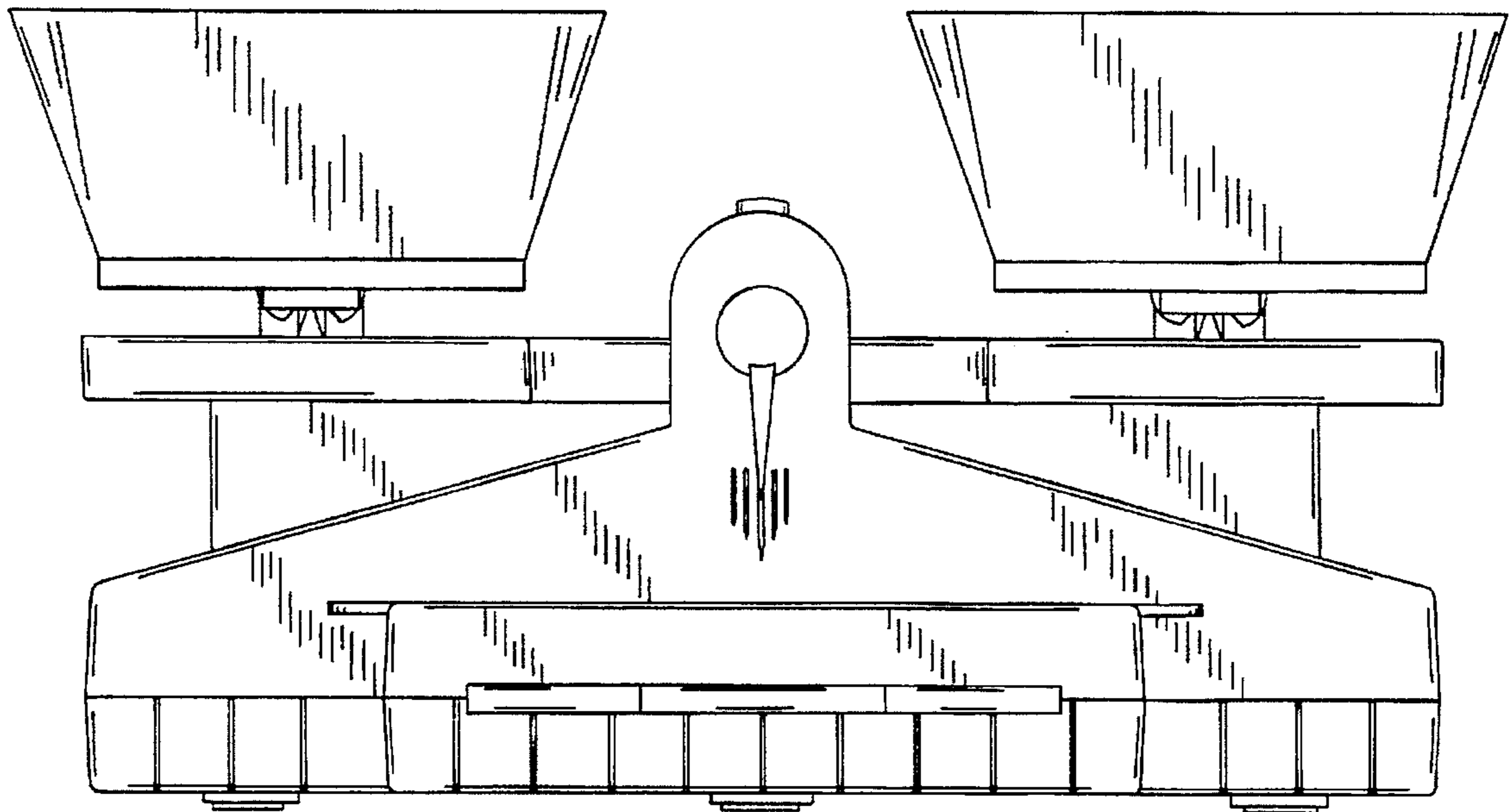


FIG. 1

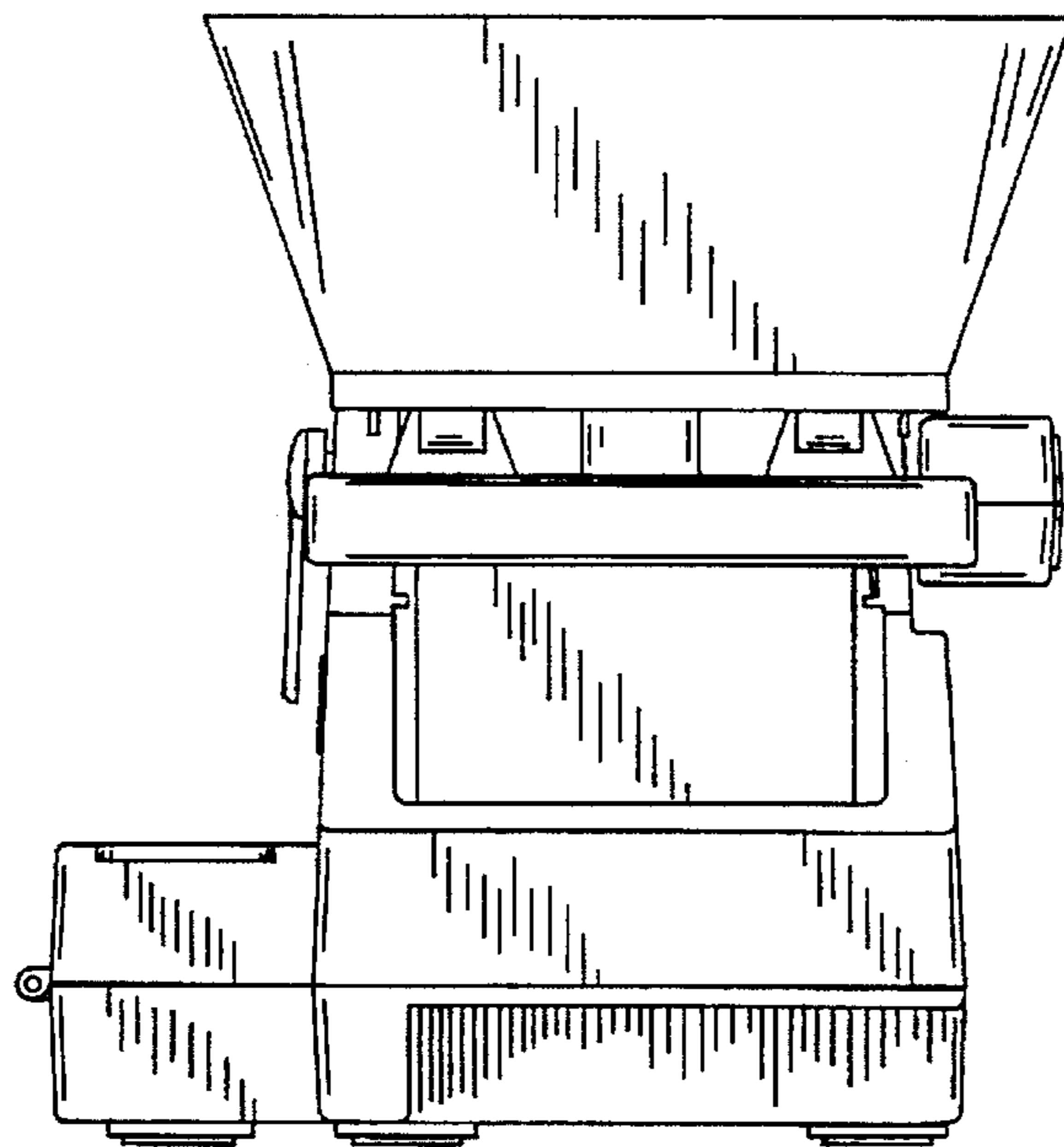


FIG. 2

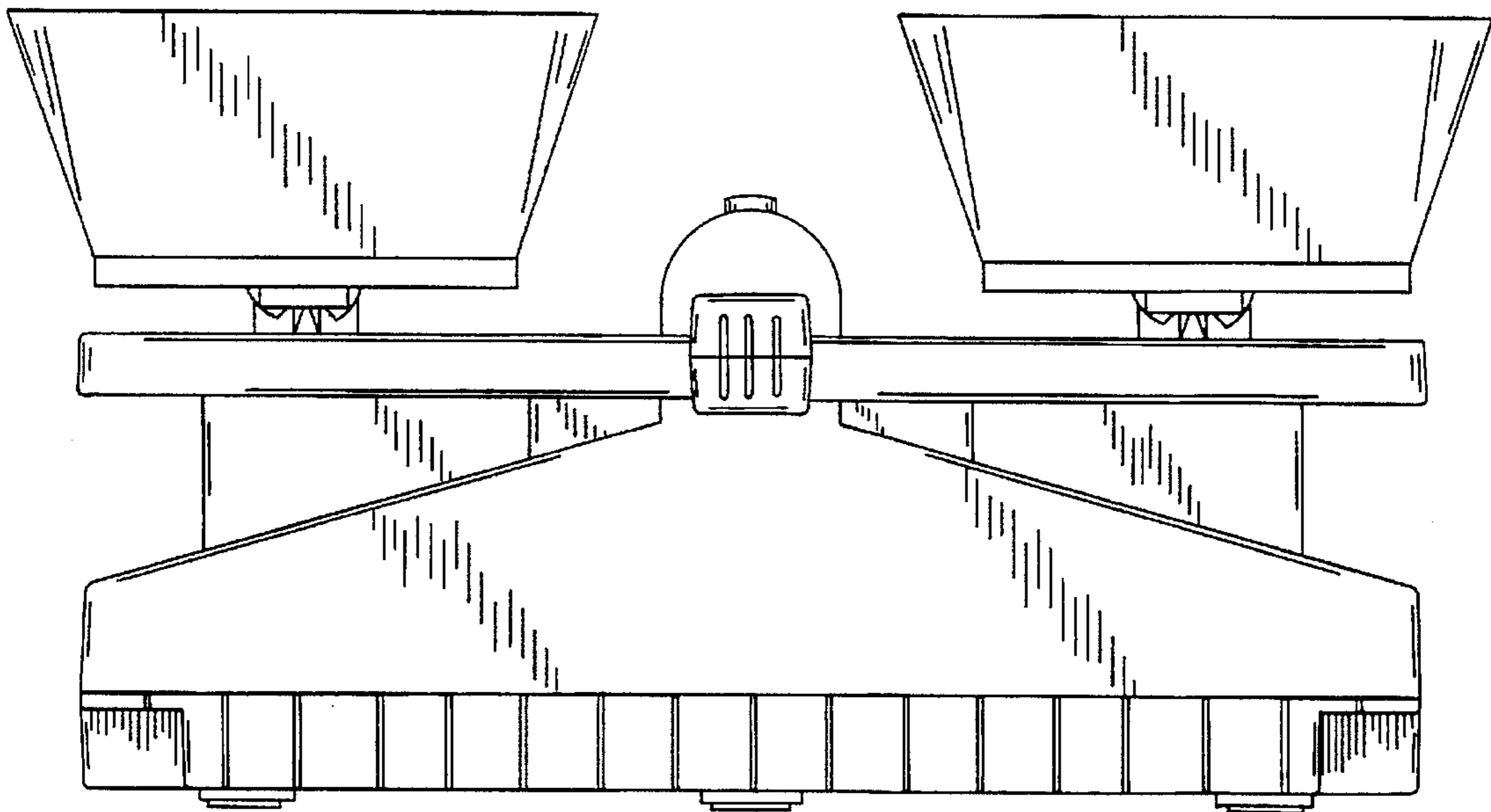


FIG. 3

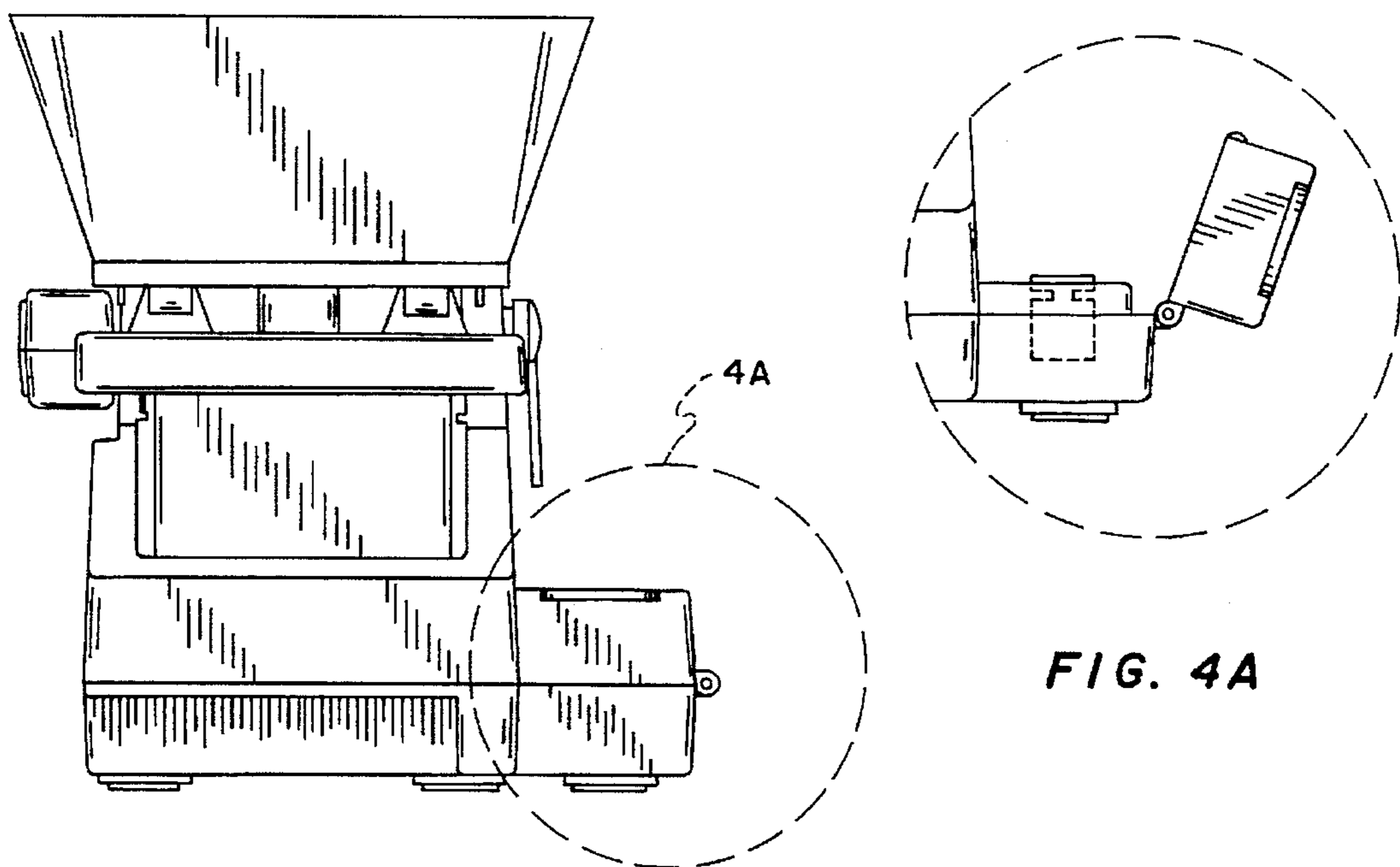


FIG. 4

FIG. 4A

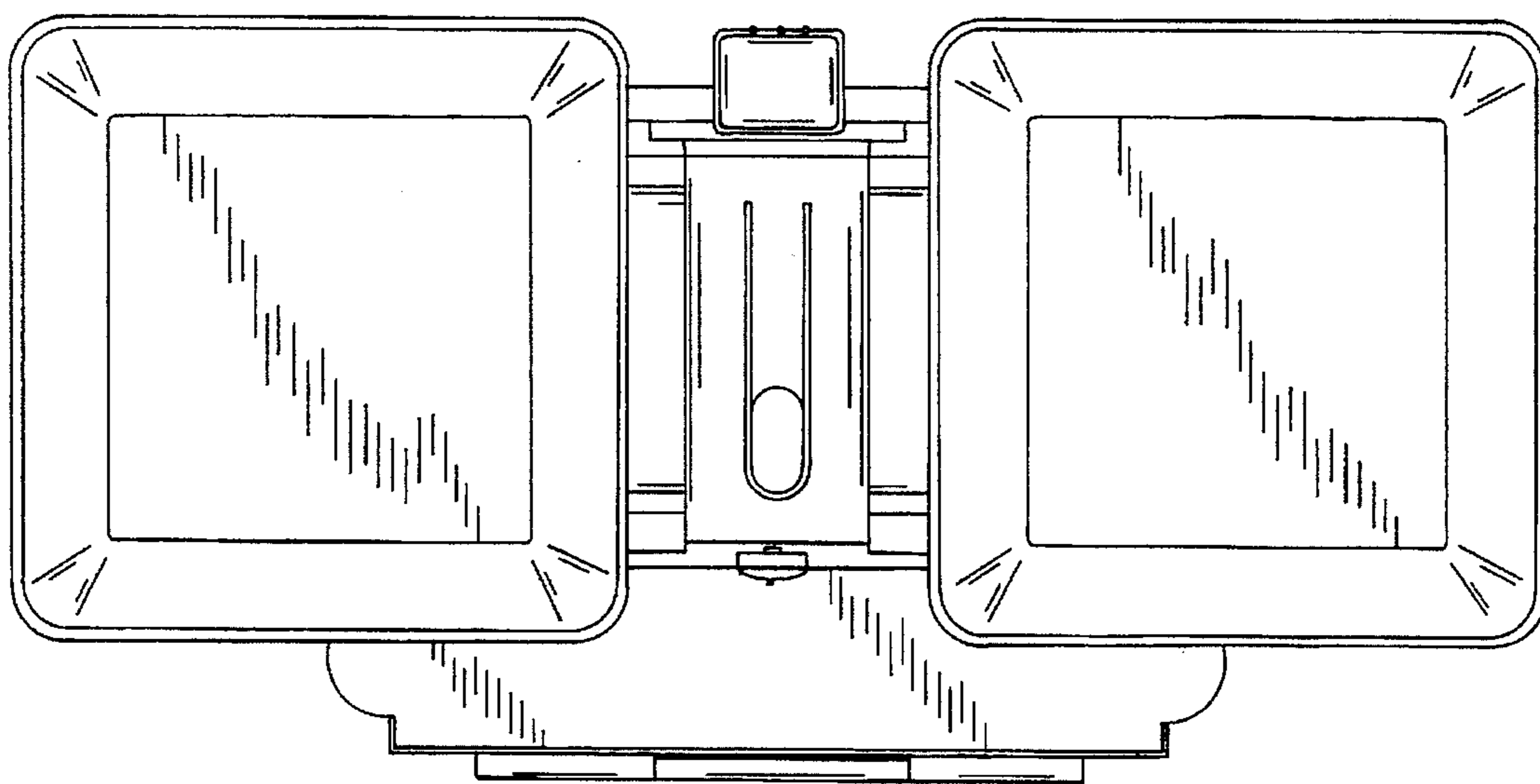


FIG. 5

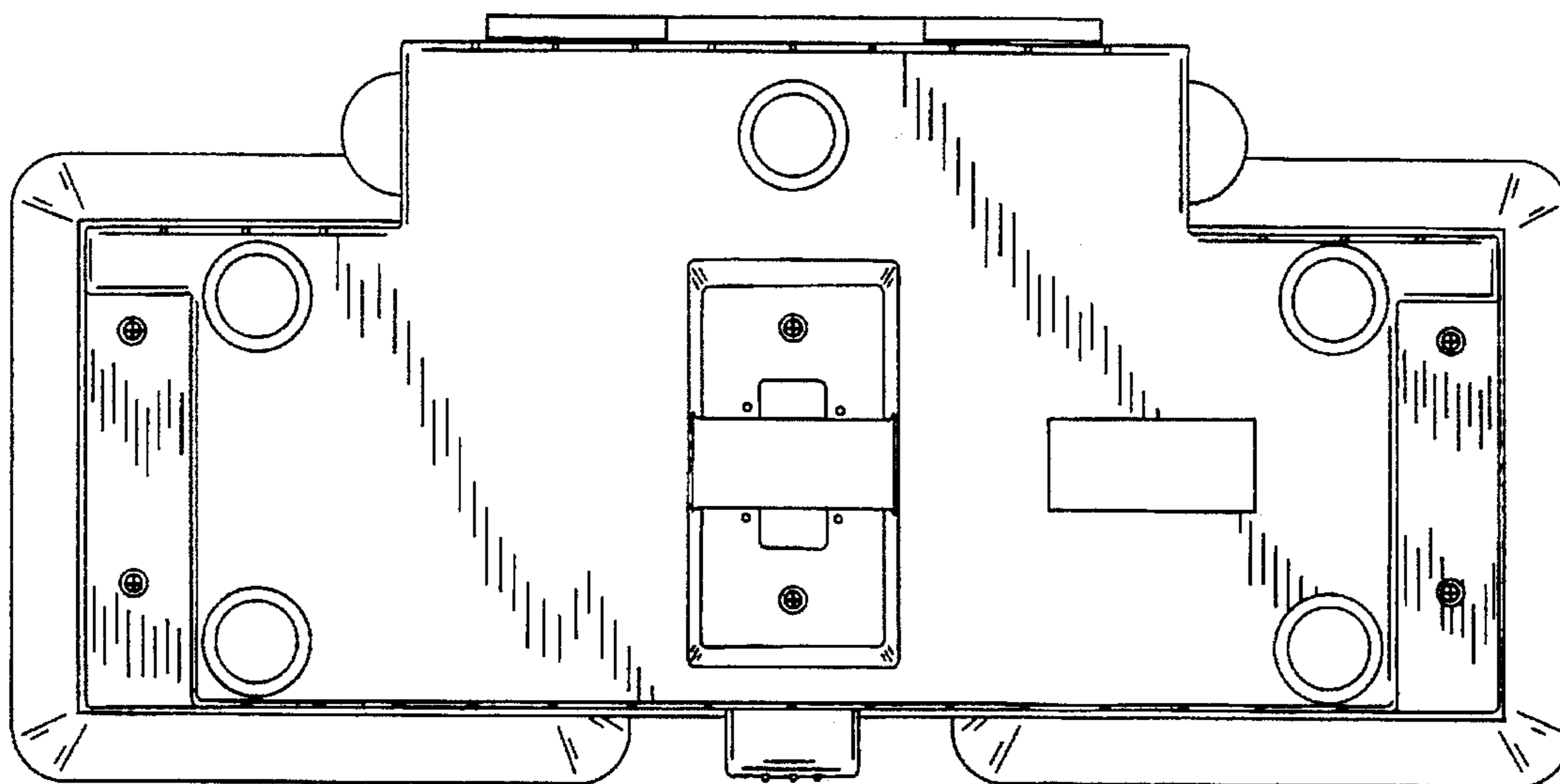


FIG. 6