



US00D379312S

United States Patent [19]
Crawford

[11] **Patent Number: Des. 379,312**
[45] **Date of Patent: **May 20, 1997**

[54] **COMBINED CONTAINER AND CAP**
[75] **Inventor: John C. Crawford, Mahopac, N.Y.**
[73] **Assignee: Colgate-Palmolive Company, New York, N.Y.**
[**] **Term: 14 Years**
[21] **Appl. No.: 47,781**
[22] **Filed: Dec. 12, 1995**
[51] **LOC (6) Cl. 09-01**
[52] **U.S. Cl. D9/557; D9/571**
[58] **Field of Search D9/544, 545, 557, D9/570, 571, 574, 558, 573; 215/382, 383, 384, 400, 372, 373**

D. 235,032 4/1975 Atkins D9/542 X
D. 239,698 4/1976 Utley D9/558
D. 316,034 4/1991 De Gaetano D9/557 X
D. 346,334 4/1994 Ahlsvik D9/573 X
D. 360,134 7/1995 Snyder D9/571 X

Primary Examiner—Lucy Lieberman
Attorney, Agent, or Firm—Michael J. McGreal

[57] **CLAIM**

The ornamental design for a combined container and cap, as shown and described.

DESCRIPTION

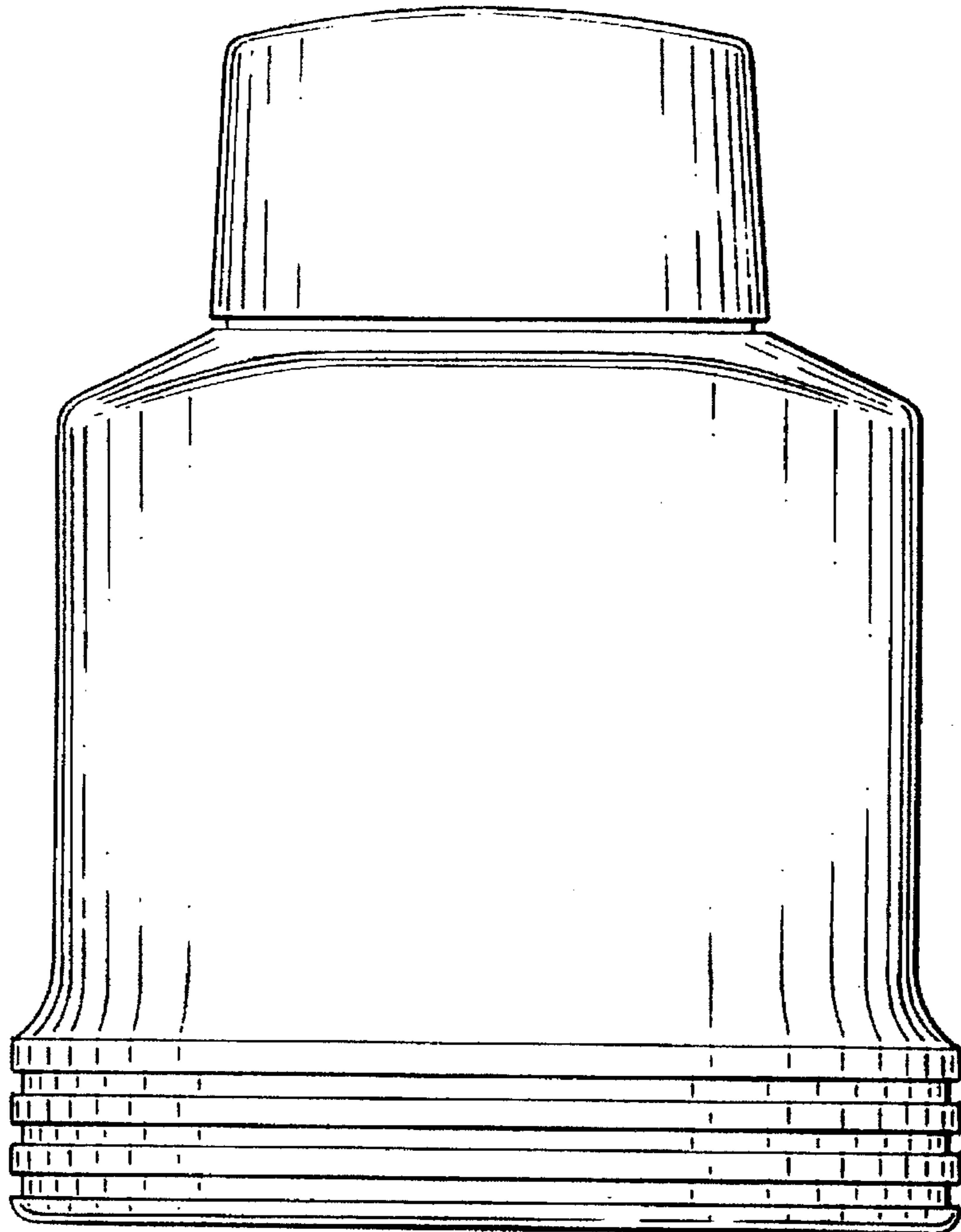
FIG. 1 is a perspective view of the combined container and cap of my design;
FIG. 2 is a front elevation thereof, the rear elevation is the same;
FIG. 3 is a top plan view thereof;
FIG. 4 is a bottom plan view thereof; and,
FIG. 5 is a left side elevation thereof, the right side elevation is the same.

[56] **References Cited**

U.S. PATENT DOCUMENTS

D. 70,957 8/1926 Guerin D9/544
D. 207,920 6/1967 Koenigsberg D9/557 X
D. 221,329 8/1971 Beaver D9/557 X

1 Claim, 3 Drawing Sheets



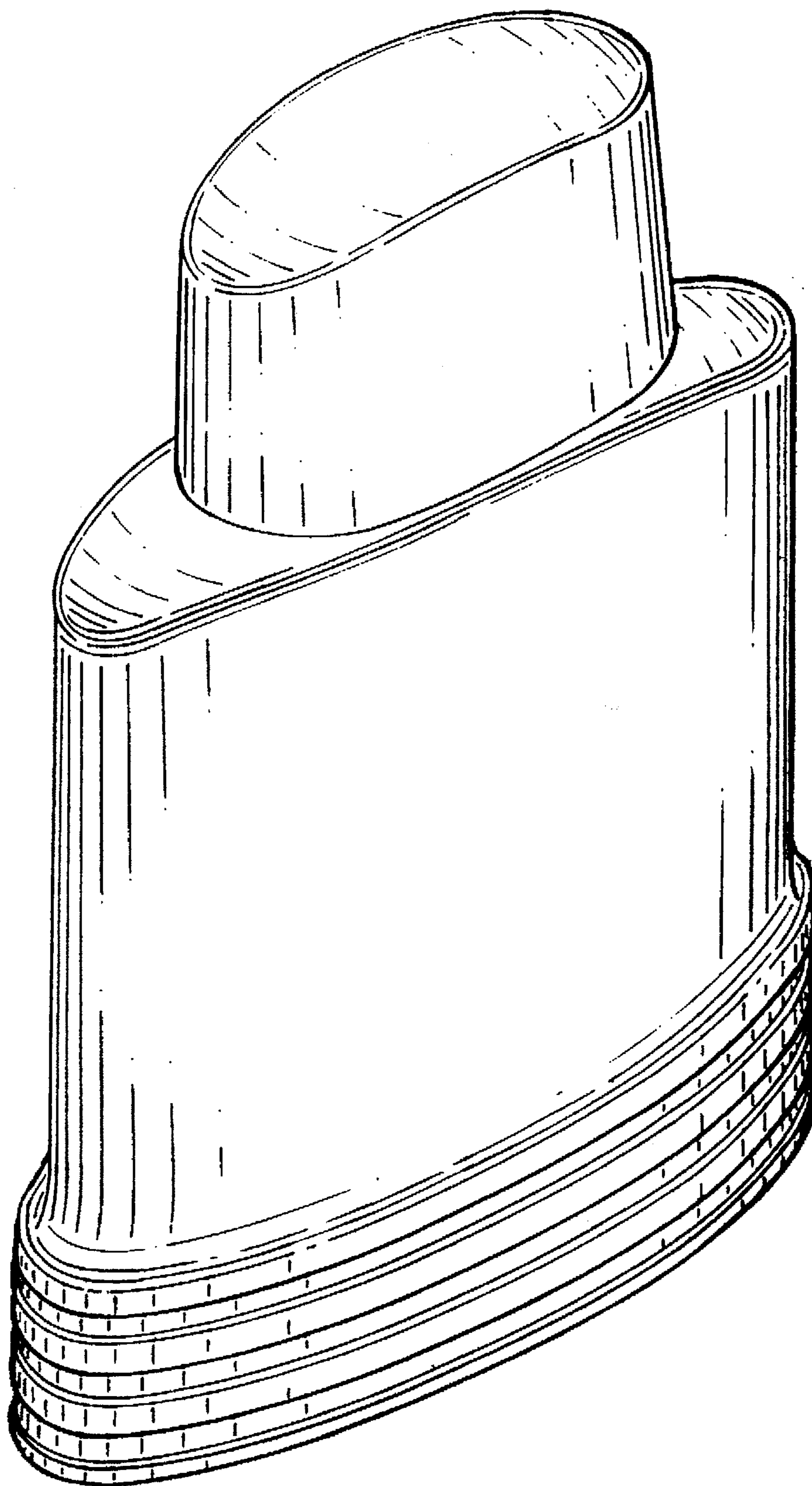


FIG. 1

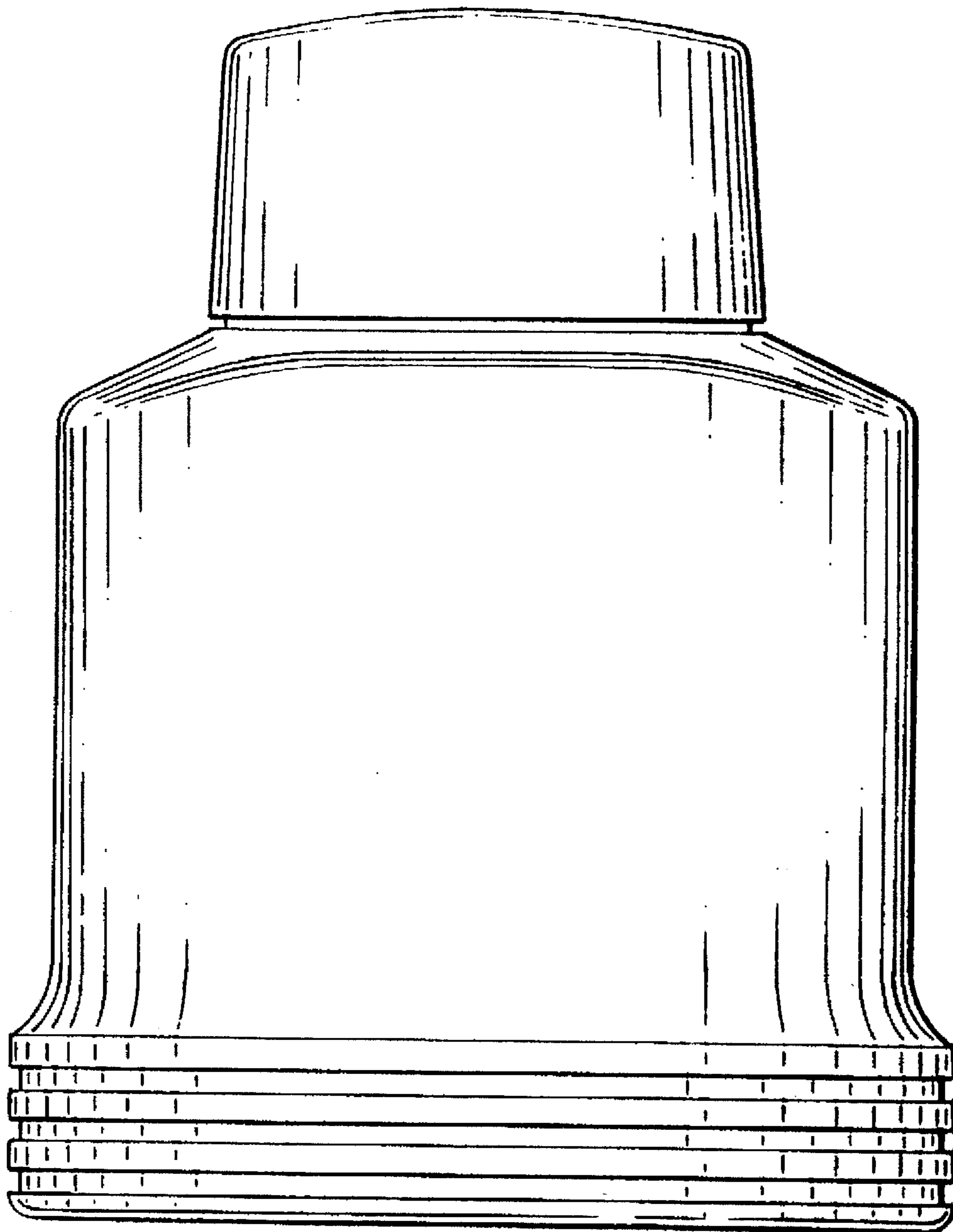


FIG. 2

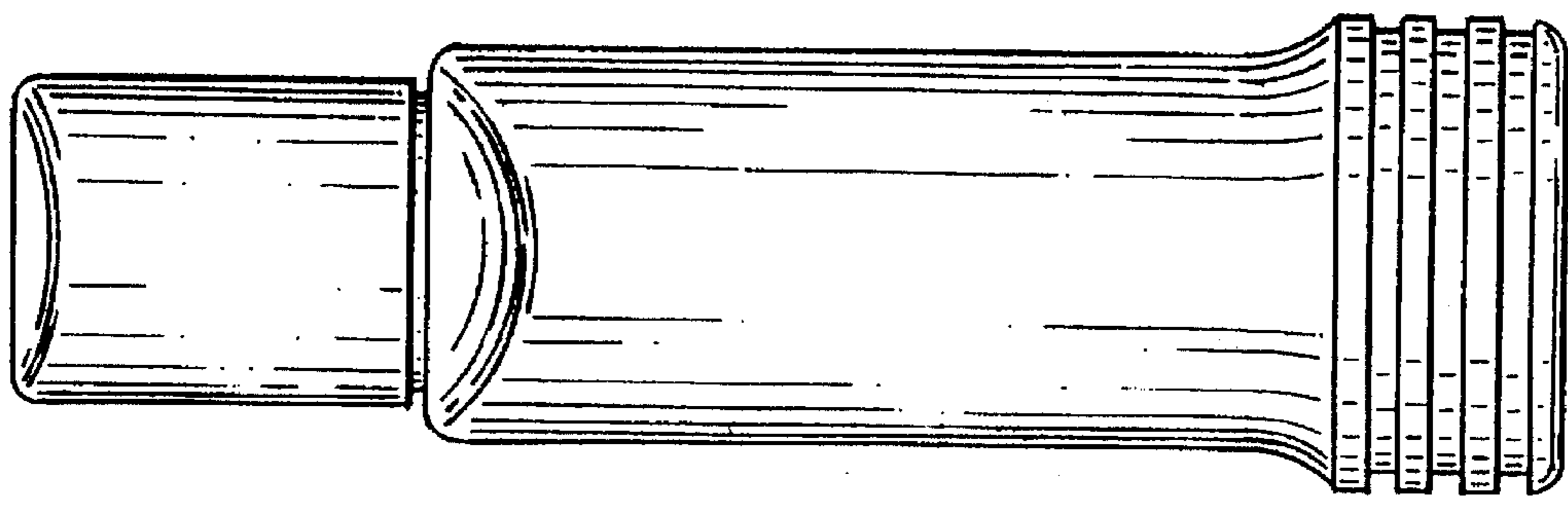


FIG. 5

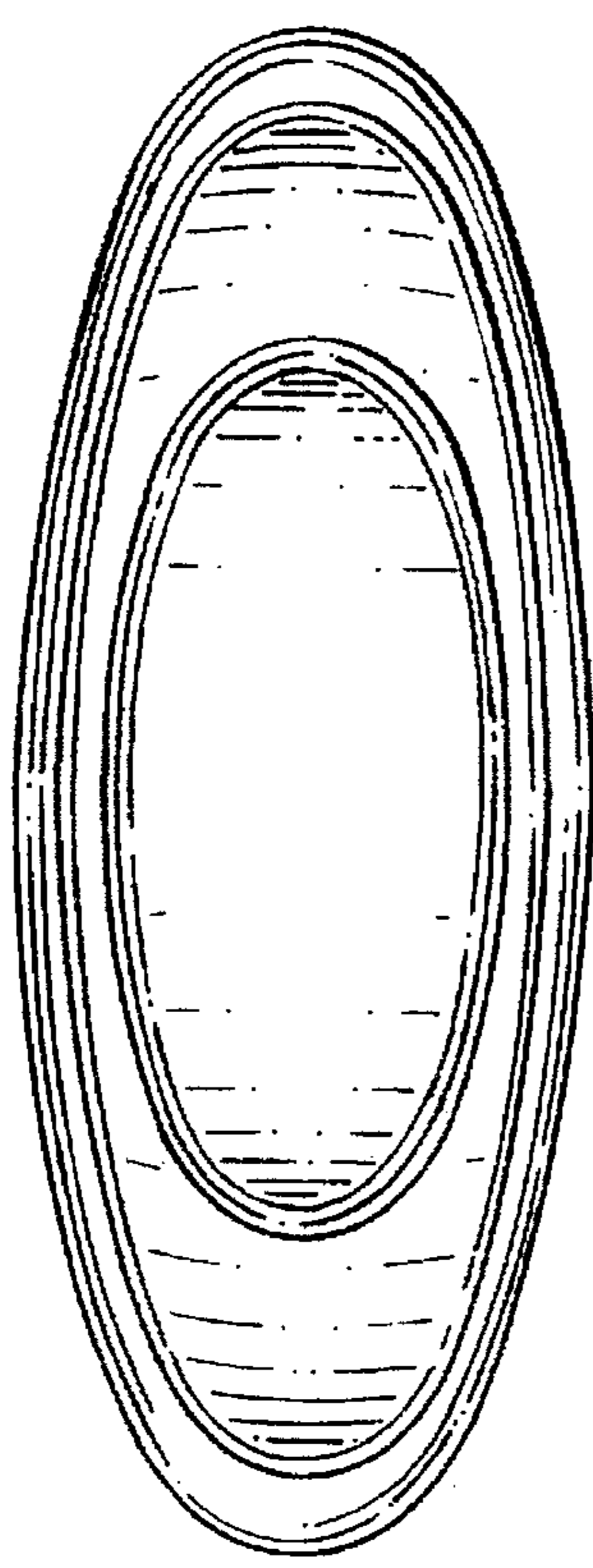


FIG. 3

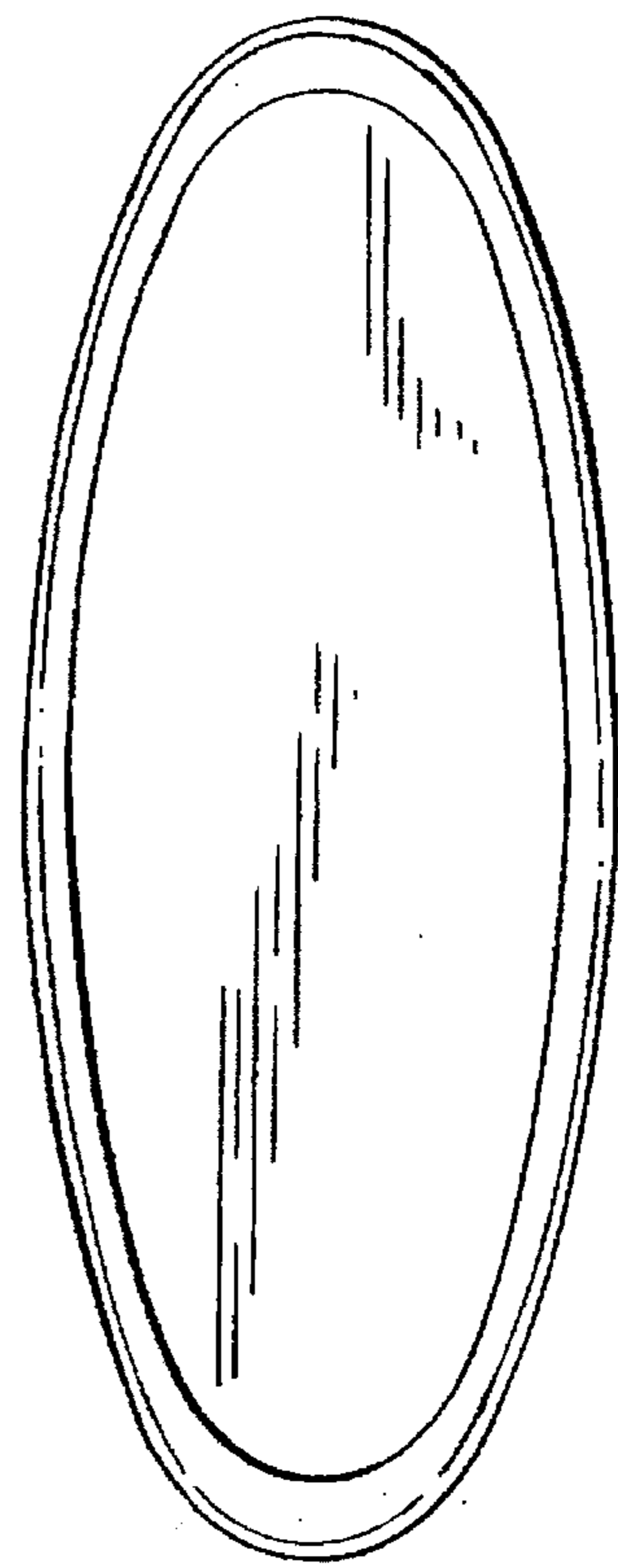


FIG. 4