



US00D379310S

United States Patent [19] Balz

[11] Patent Number: **Des. 379,310**
[45] Date of Patent: ****May 20, 1997**

[54] **LIQUID CHEMICAL CONCENTRATE BOTTLE**

2171678 9/1986 United Kingdom .
WO81/02418 9/1981 WIPO .
WO92/19528 11/1992 WIPO .

[75] Inventor: **Eric R. Balz**, Eagan, Minn.

OTHER PUBLICATIONS

[73] Assignee: **Ecolab Inc.**, St. Paul, Minn.

DEMA Blend Centers product literature. pp. 4 and 5, (date not provided).

[**] Term: **14 Years**

Ecolab Oasis™ Complete Cleaning System brochure, "Good Food Isn't Enough" Copyright 1994 Ecolab Inc.

[21] Appl. No.: **36,912**

Ecolab Oasis™ Complete Cleaning System brochure, "A Comfortable Room Isn't Enough", Copyright 1994 Ecolab Inc.

[22] Filed: **Mar. 30, 1995**

Washington Post Coupon Section, Sep., 1992, "Windex" & Carpet Science spray bottles.

[51] **LOC (6) Cl. 09-01**

[52] **U.S. Cl. D9/537; D9/523; D9/556**

[58] **Field of Search D9/300, 523, 526, D9/537, 540, 556, 557, 520; D23/225; 215/382, 383, 384; 222/383.1**

Primary Examiner—Lucy Lieberman
Attorney, Agent, or Firm—Merchant, Gould, Smith, Edell, Welter & Schmidt, P.A.

[56] References Cited

[57] CLAIM

U.S. PATENT DOCUMENTS

The ornamental design for a liquid chemical concentrate bottle, as shown and described.

| | | | |
|------------|---------|-----------------------|-------------|
| D. 213,170 | 1/1969 | Muller et al. | D9/300 |
| D. 236,951 | 9/1975 | Loraih | D9/523 |
| D. 342,678 | 12/1993 | Warner et al. | D9/523 X |
| D. 347,788 | 6/1994 | Steijns et al. | D9/300 |
| D. 365,515 | 12/1995 | Boykin | D9/300 |
| 3,443,726 | 5/1969 | Muller et al. | 222/80 |
| 3,637,102 | 1/1972 | Shaw | 215/40 |
| 3,922,099 | 11/1975 | Christine et al. | 401/134 |
| 4,201,316 | 5/1980 | Klingaman | 222/80 |
| 4,307,821 | 12/1981 | McIntosh | 222/83 |
| 4,741,368 | 5/1988 | Crumby | 141/18 |
| 4,765,511 | 8/1988 | Clements | 222/83 |
| 4,874,023 | 10/1989 | Ulm | 141/346 |
| 4,874,113 | 10/1989 | Schmidt | 222/143 |
| 4,898,293 | 2/1990 | Morel | 215/250 |
| 4,932,563 | 6/1990 | Diamond et al. | 222/383.1 X |
| 4,950,083 | 8/1990 | Bavaveas | 366/348 |
| 5,037,003 | 8/1991 | Bally et al. | 222/129.2 |
| 5,072,762 | 12/1991 | Jimenez | 141/329 |
| 5,174,343 | 12/1992 | Rood | 141/18 |
| 5,259,557 | 11/1993 | Spriggs et al. | 239/304 |
| 5,351,892 | 10/1994 | Conte | 239/304 |

DESCRIPTION

FIG. 1 is a perspective view showing a preferred embodiment of my new design;
FIG. 2 is a left side elevational view thereof;
FIG. 3 is a right side elevational view thereof;
FIG. 4 is a front elevational view thereof;
FIG. 5 is a rear elevational view thereof;
FIG. 6 is a top view thereof;
FIG. 7 is a bottom view thereof;
FIG. 8 is a top plan view of a second embodiment of the liquid chemical concentrate bottle; and,
FIG. 9 is a right side elevational view of the second embodiment.

The second embodiment of the bottle is the same as the first embodiment except for the placement of the arcuate recess on the shoulder of the liquid chemical concentrate bottle.

FOREIGN PATENT DOCUMENTS

2127387 4/1984 United Kingdom .

1 Claim, 8 Drawing Sheets

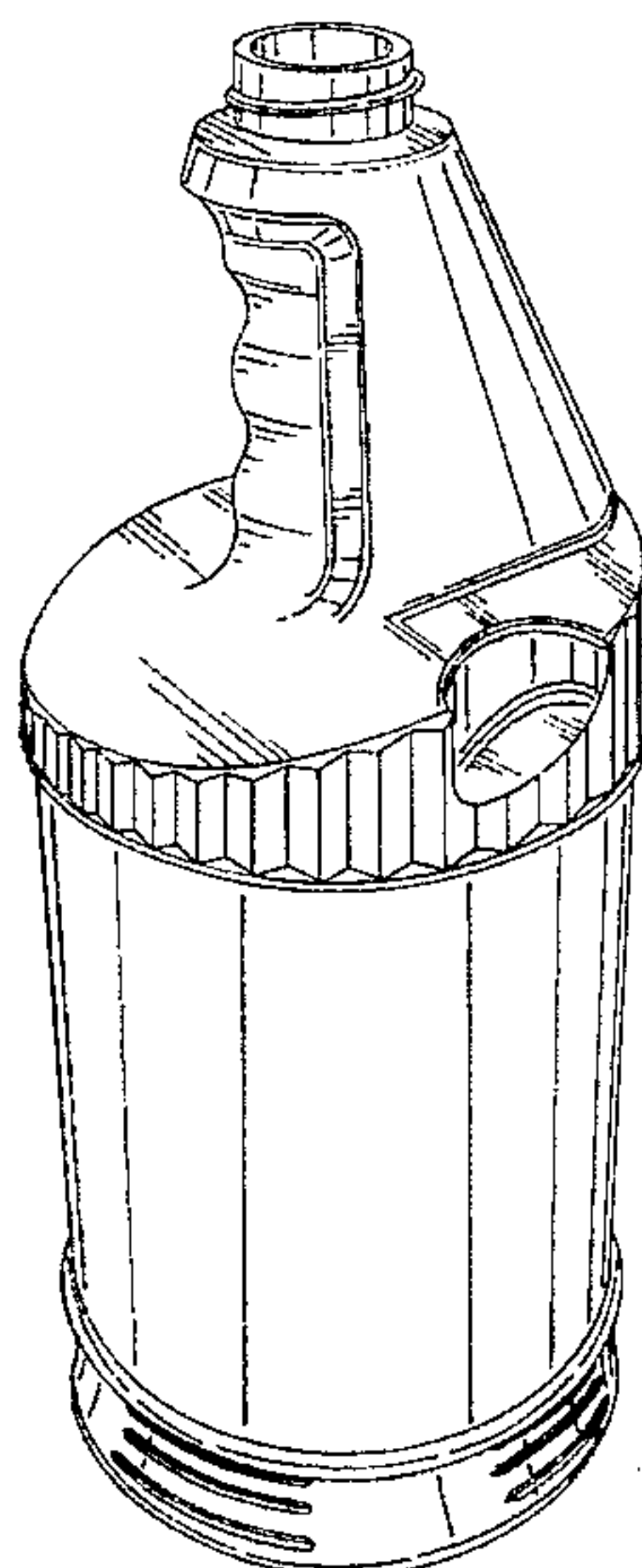


FIG. 1

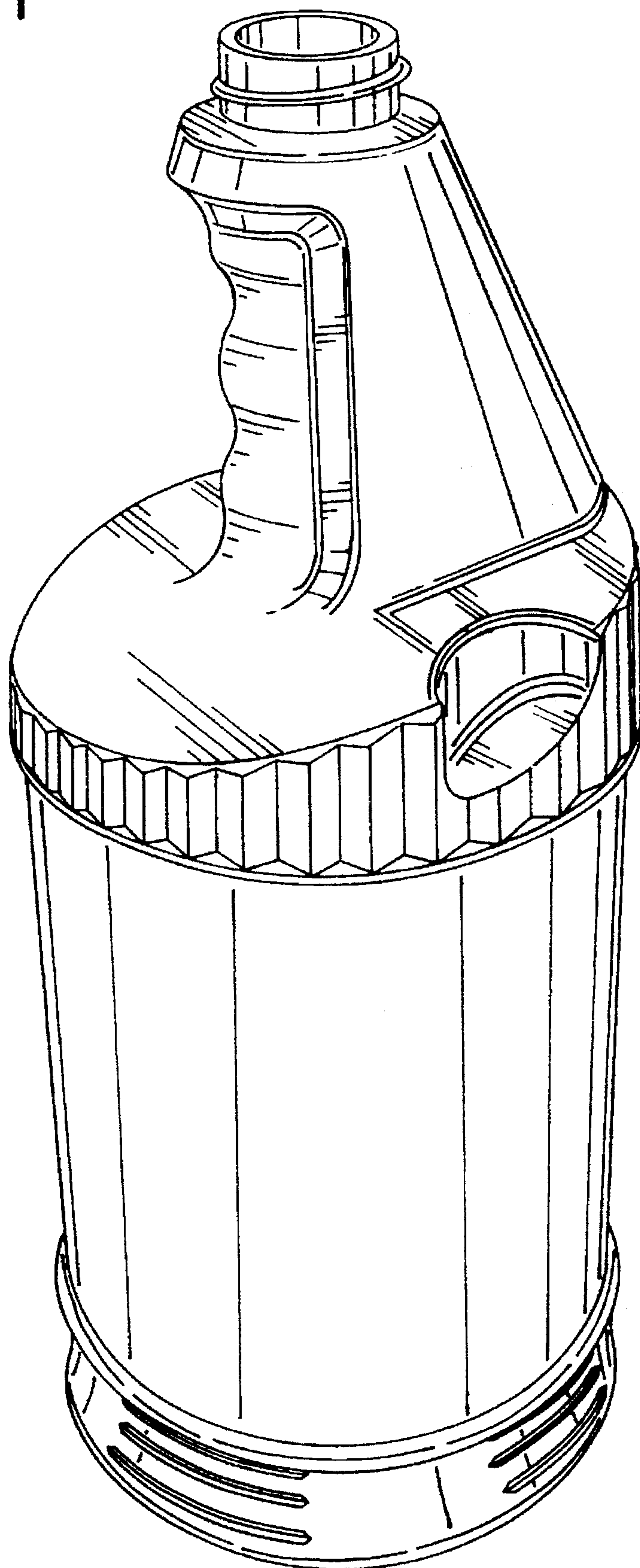


FIG. 2

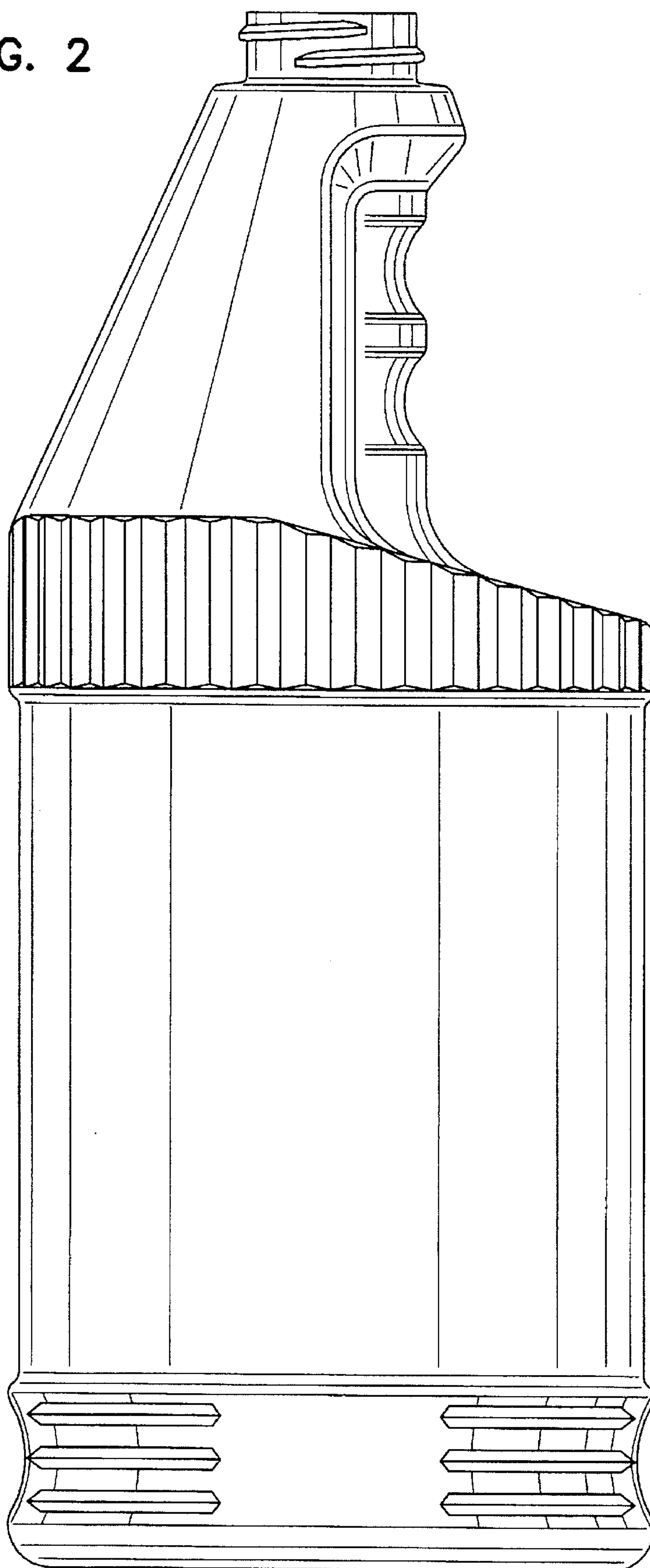


FIG. 3

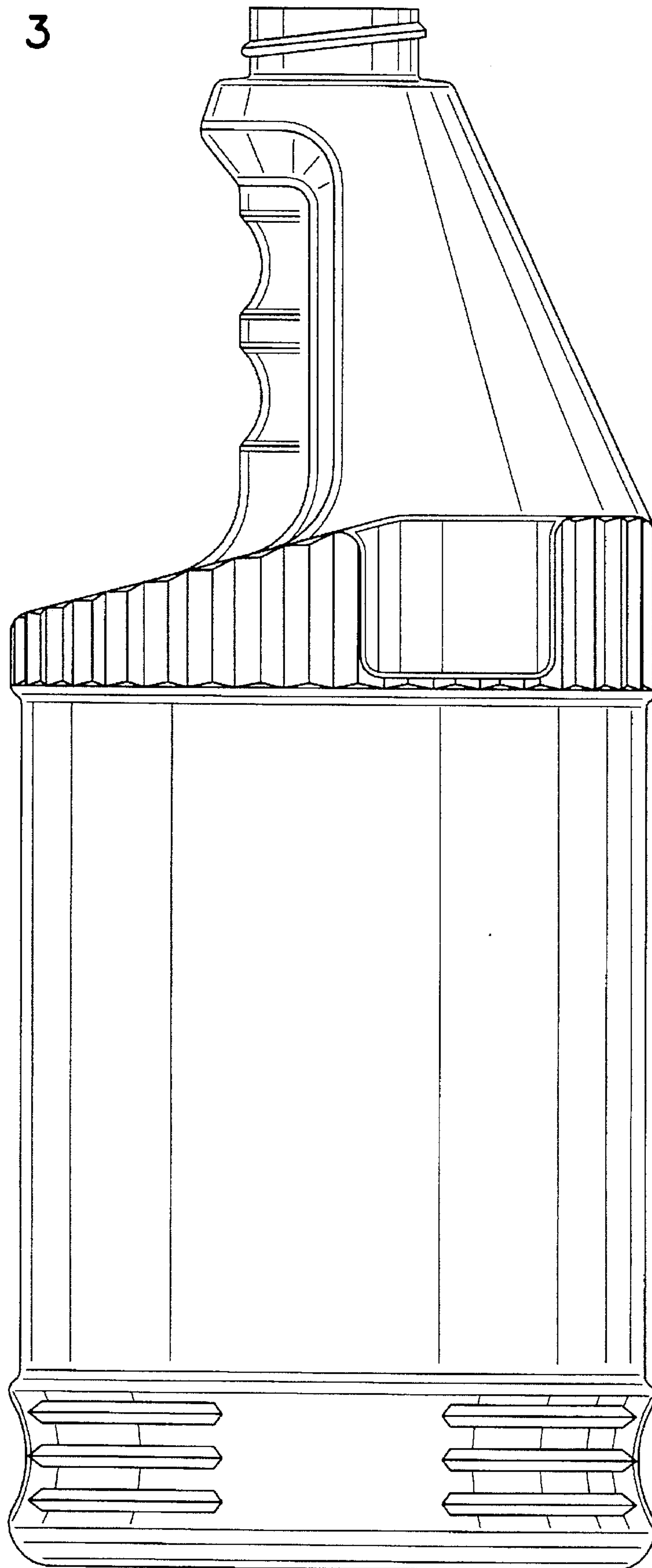


FIG. 4

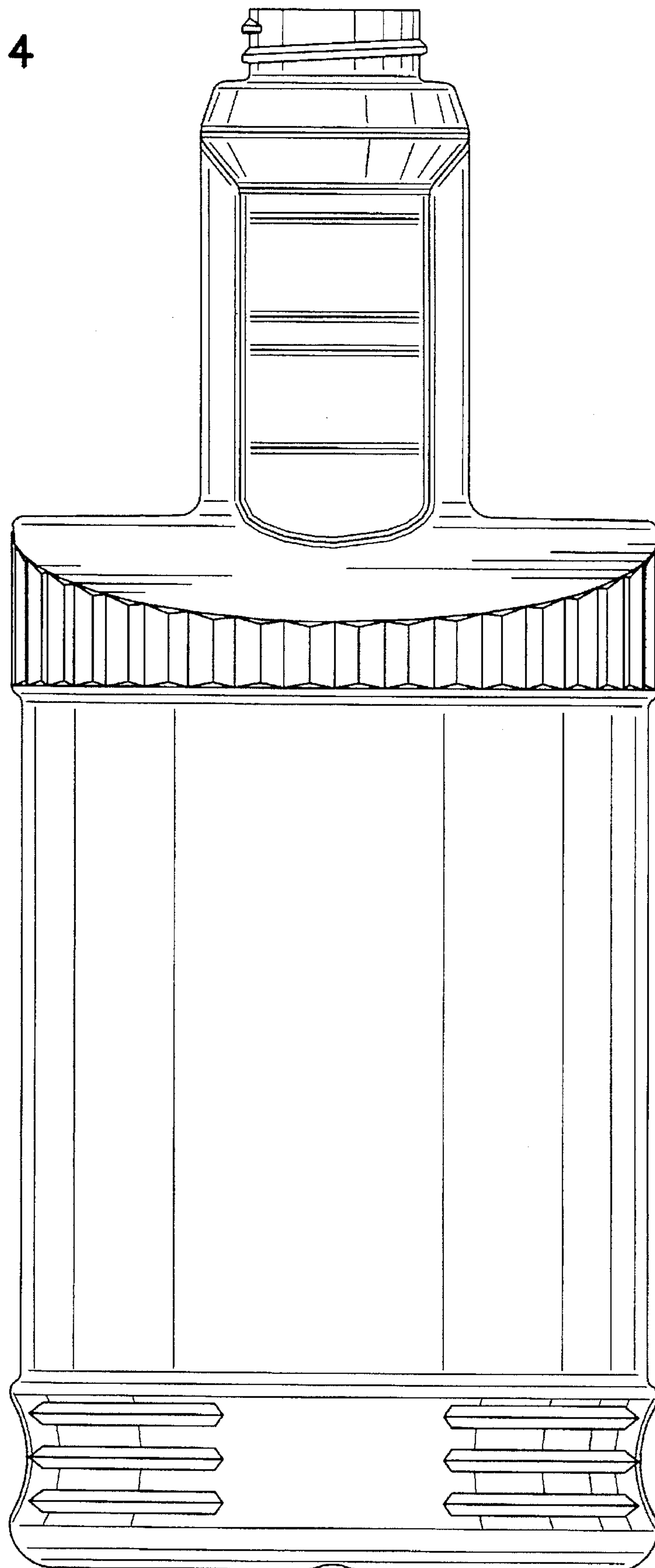


FIG. 5

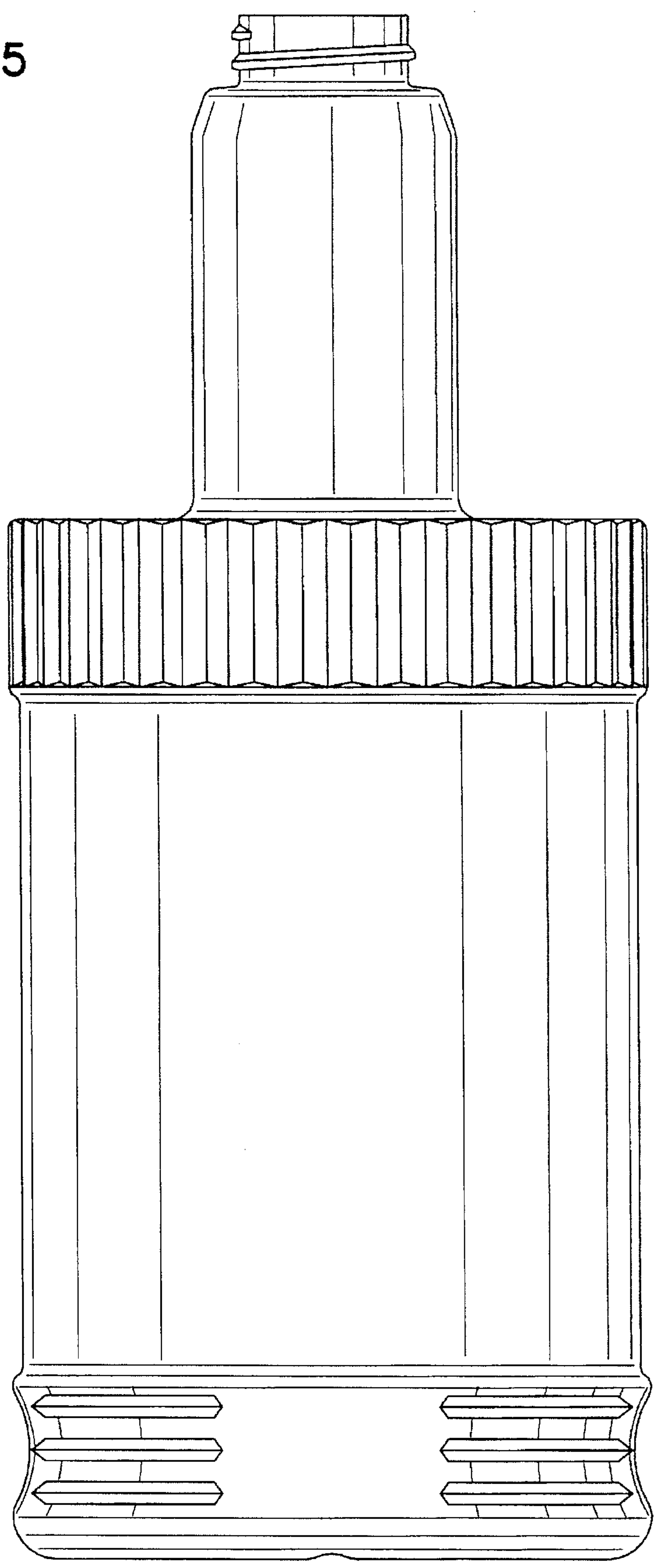


FIG. 6

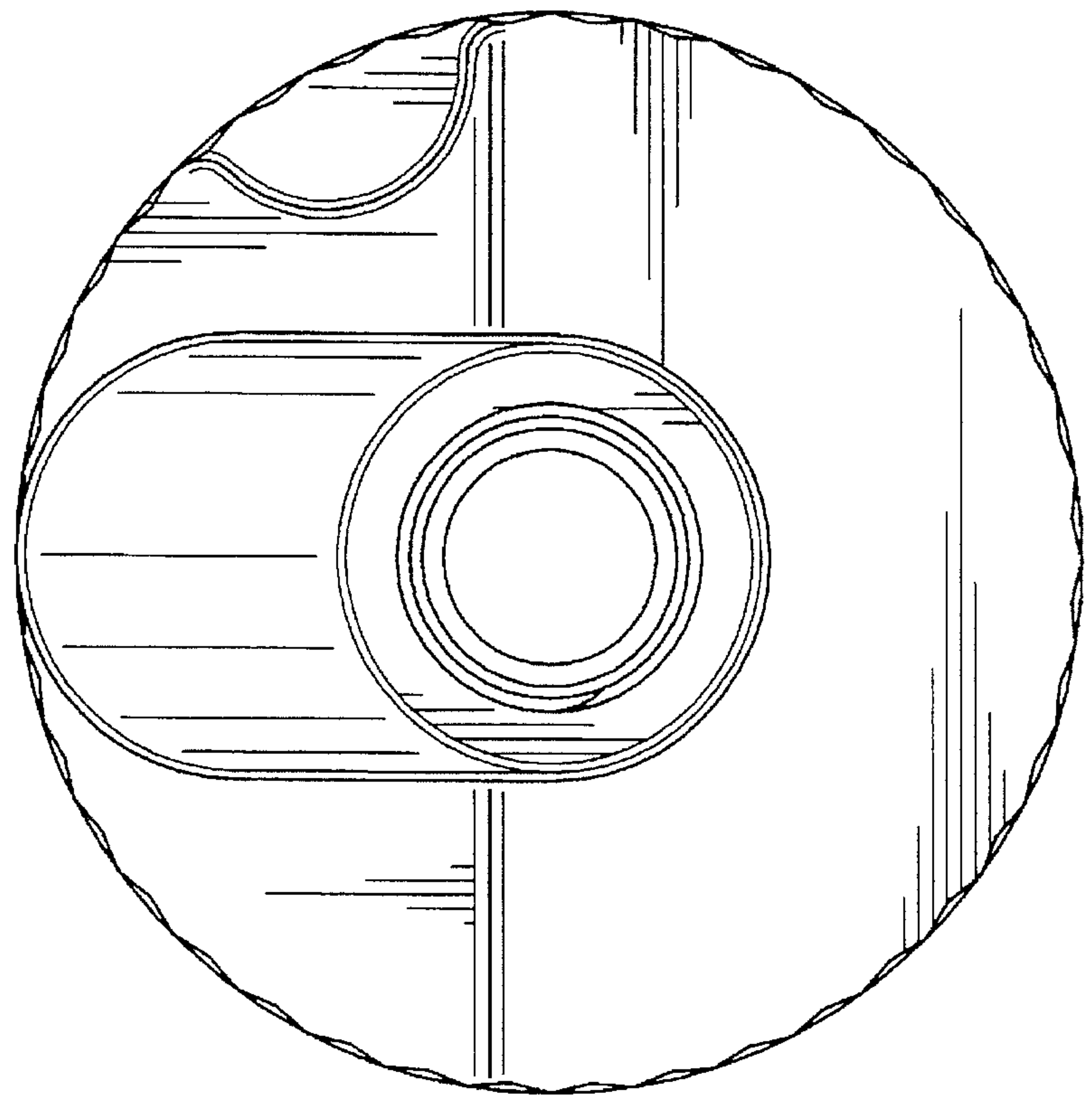


FIG. 7

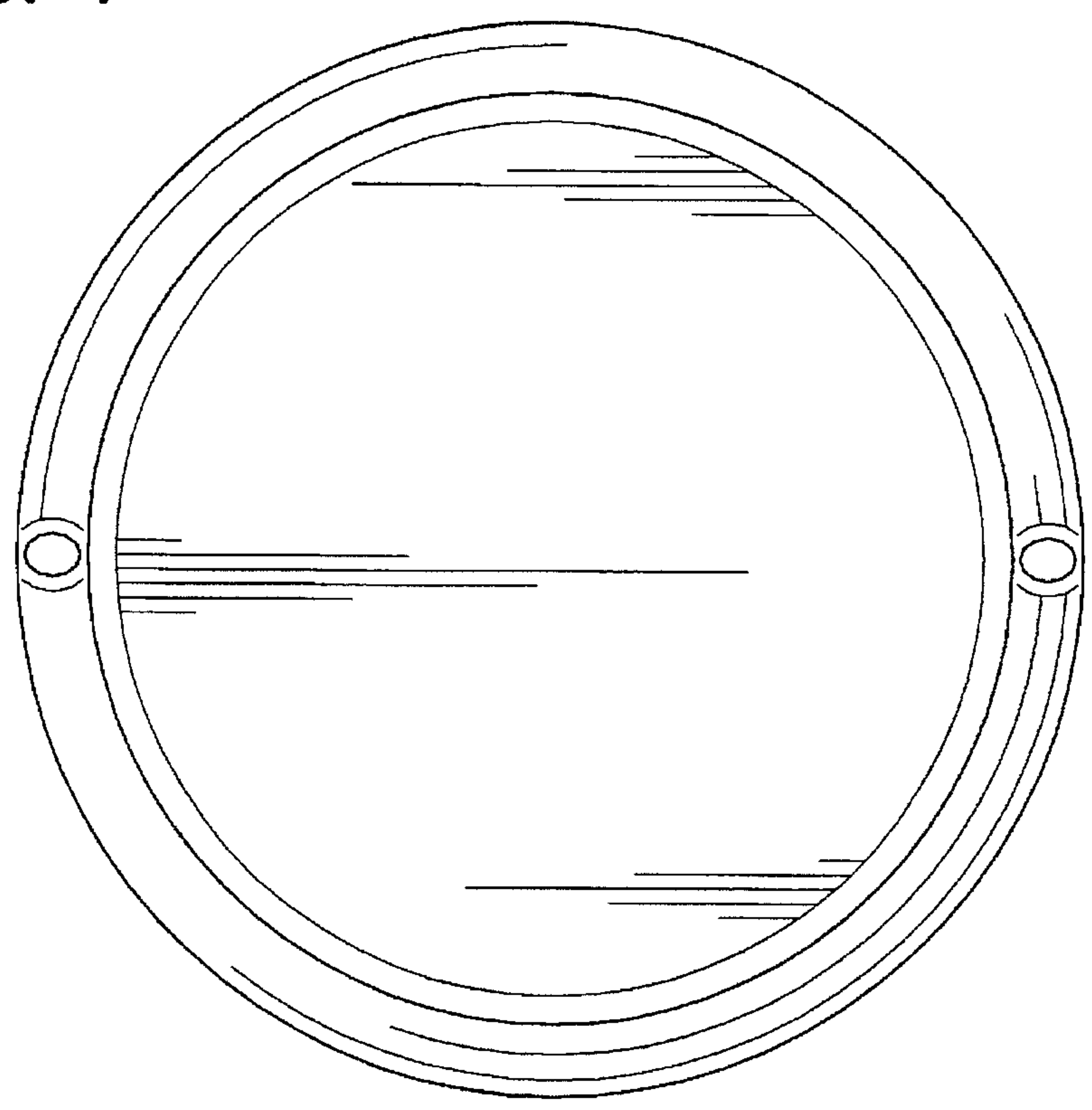


FIG. 8

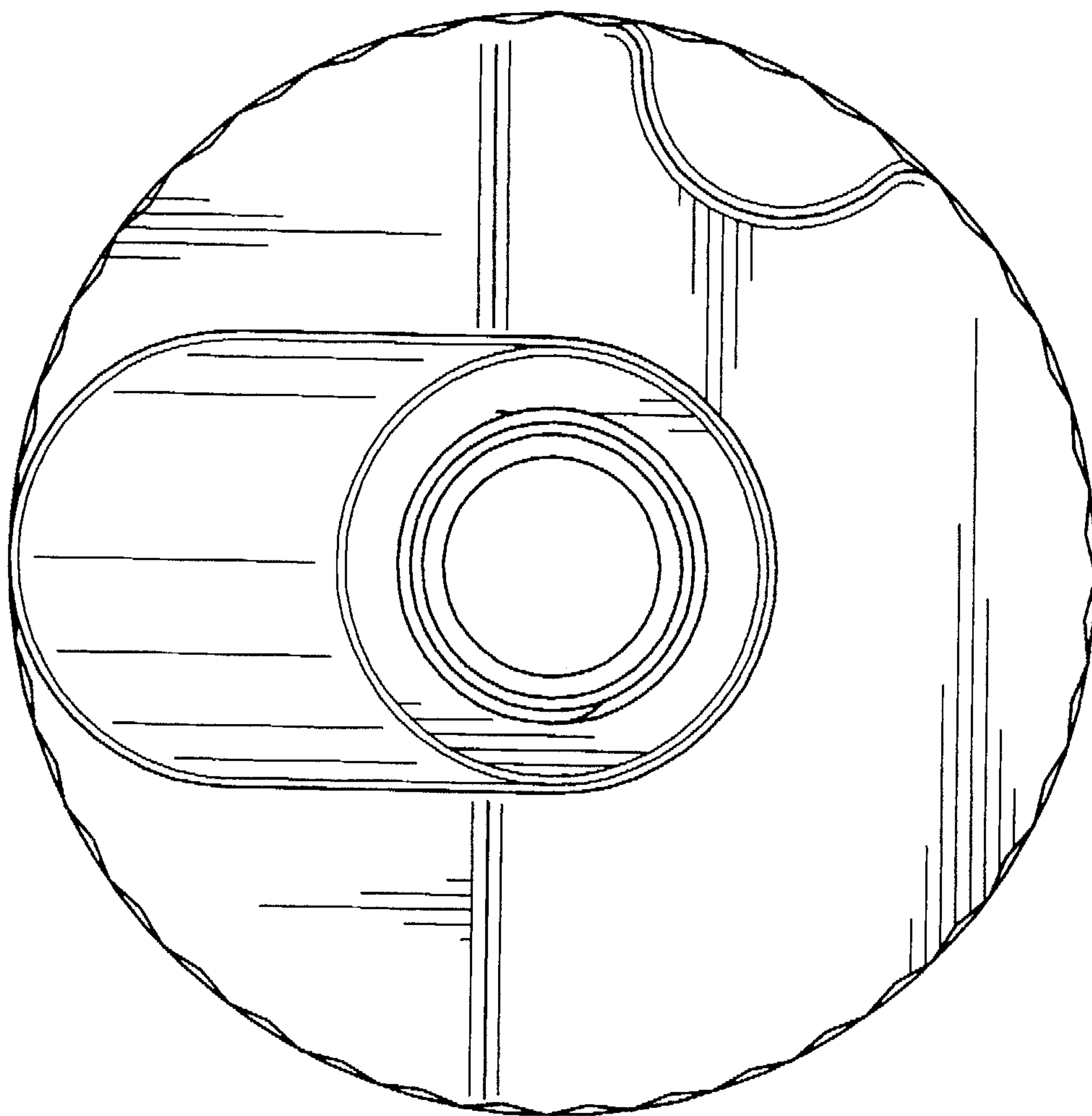


FIG. 9

