



US00D379304S

# United States Patent [19]

[11] Patent Number: **Des. 379,304**

Bova

[45] Date of Patent: **\*\*May 20, 1997**

## [54] LIQUID DISPENSER SPOUT AND CAP

## OTHER PUBLICATIONS

[76] Inventor: **Anthony J. Bova**, 2039 Cove Cir., Stockton, Calif. 95204

Articles in Exhibit A, two liquid dispenser spouts with respective closure caps thereon, are believed to have been used by the public and/or sold more than one year prior to the filing date of the present application.

[\*\*] Term: **14 Years**

*Primary Examiner*—James M. Gandy  
*Assistant Examiner*—Cathron B. Matta  
*Attorney, Agent, or Firm*—Lothrop & West

[21] Appl. No.: **42,638**

[22] Filed: **Aug. 15, 1995**

[51] LOC (6) Cl. .... **09-07**

[52] U.S. Cl. .... **D9/447**

[58] Field of Search ..... D9/434-5, 446,  
D9/447, 449, 452, 454; D6/580-81; D7/590;  
222/562, 566, 568

## [57] CLAIM

The ornamental design for a liquid dispenser spout and cap, as shown and described.

## DESCRIPTION

## [56] References Cited

FIG. 1 is a perspective view of a liquid dispenser spout and cap, showing my new design;

### U.S. PATENT DOCUMENTS

FIG. 2 is a representative side elevational view, thereof, the article being radially symmetrical about a vertical axis, thereof;

D. 136,452	10/1943	Trump	.....	D9/449
D. 183,110	6/1958	Stull	.....	D9/446
D. 295,380	4/1988	Virag et al.	.....	D9/447
D. 314,702	2/1991	Gonzalez	.....	D9/307
D. 343,791	2/1994	Pitaknarongphom	.....	D9/503
3,454,196	7/1969	Hazard	.....	D9/449 X

FIG. 3 is a top plan view, thereof;

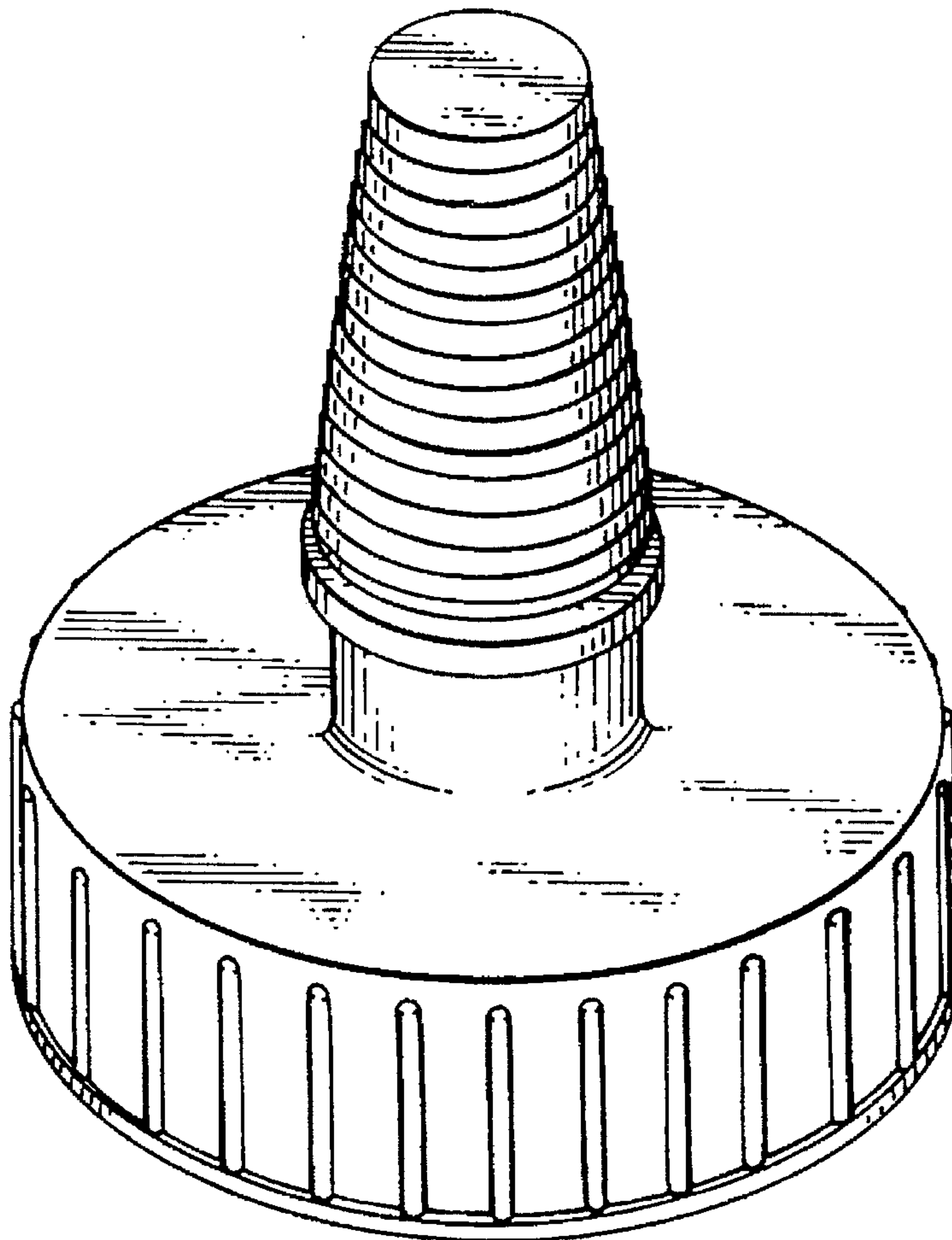
FIG. 4 is a bottom plan view, thereof; and,

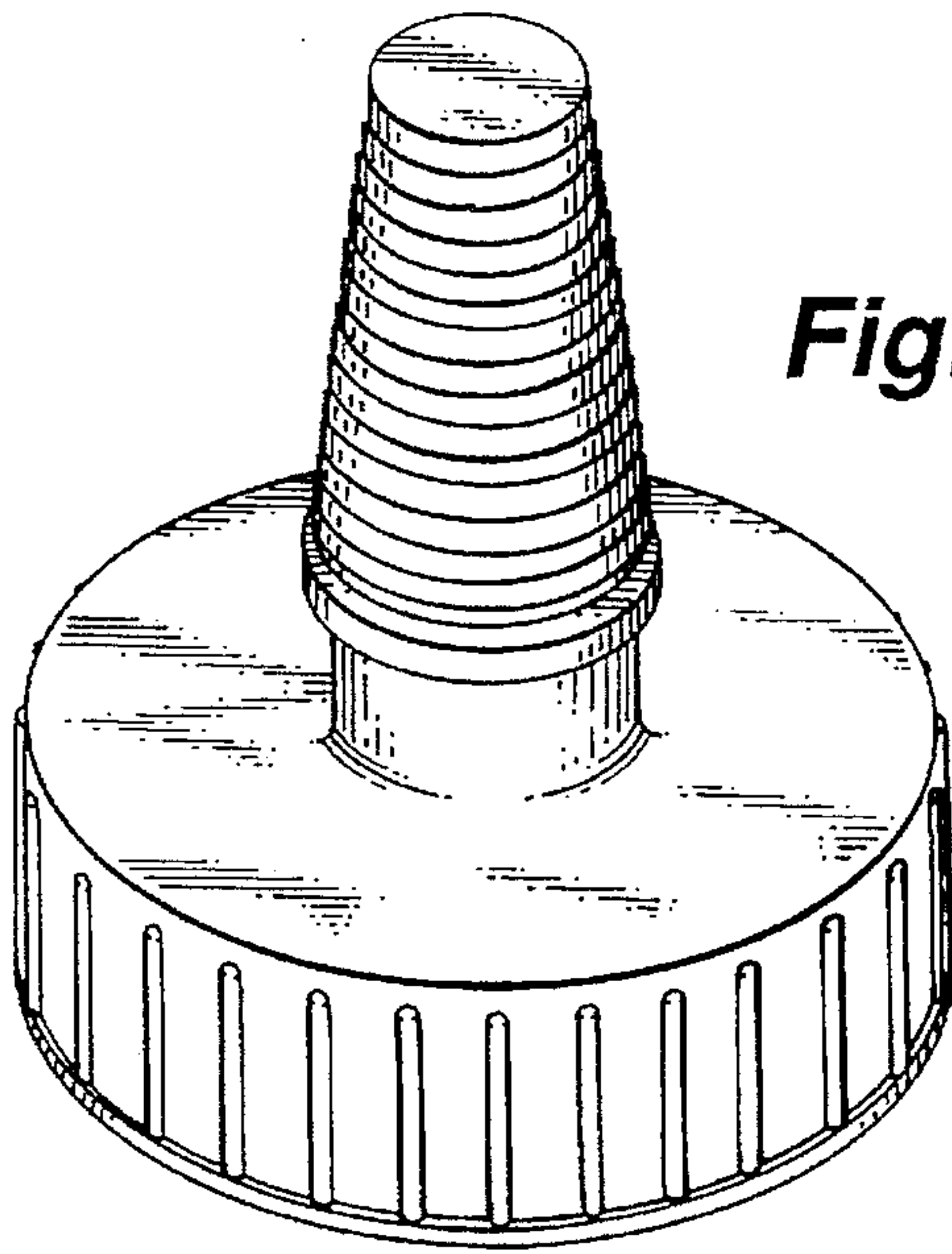
FIG. 5 is an exploded side elevational view thereof.

### FOREIGN PATENT DOCUMENTS

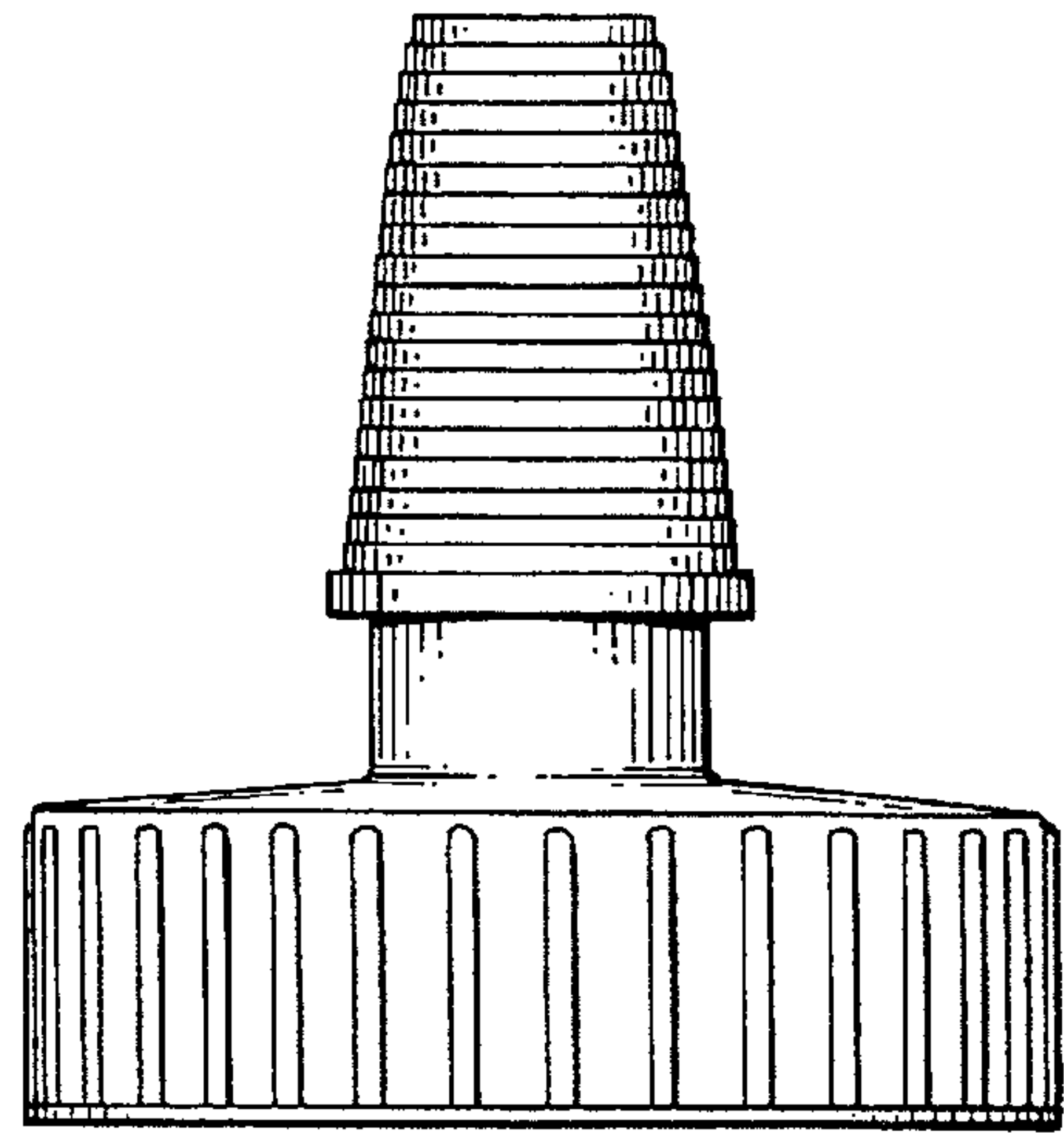
M9402630 3/1994 Germany .

**1 Claim, 1 Drawing Sheet**

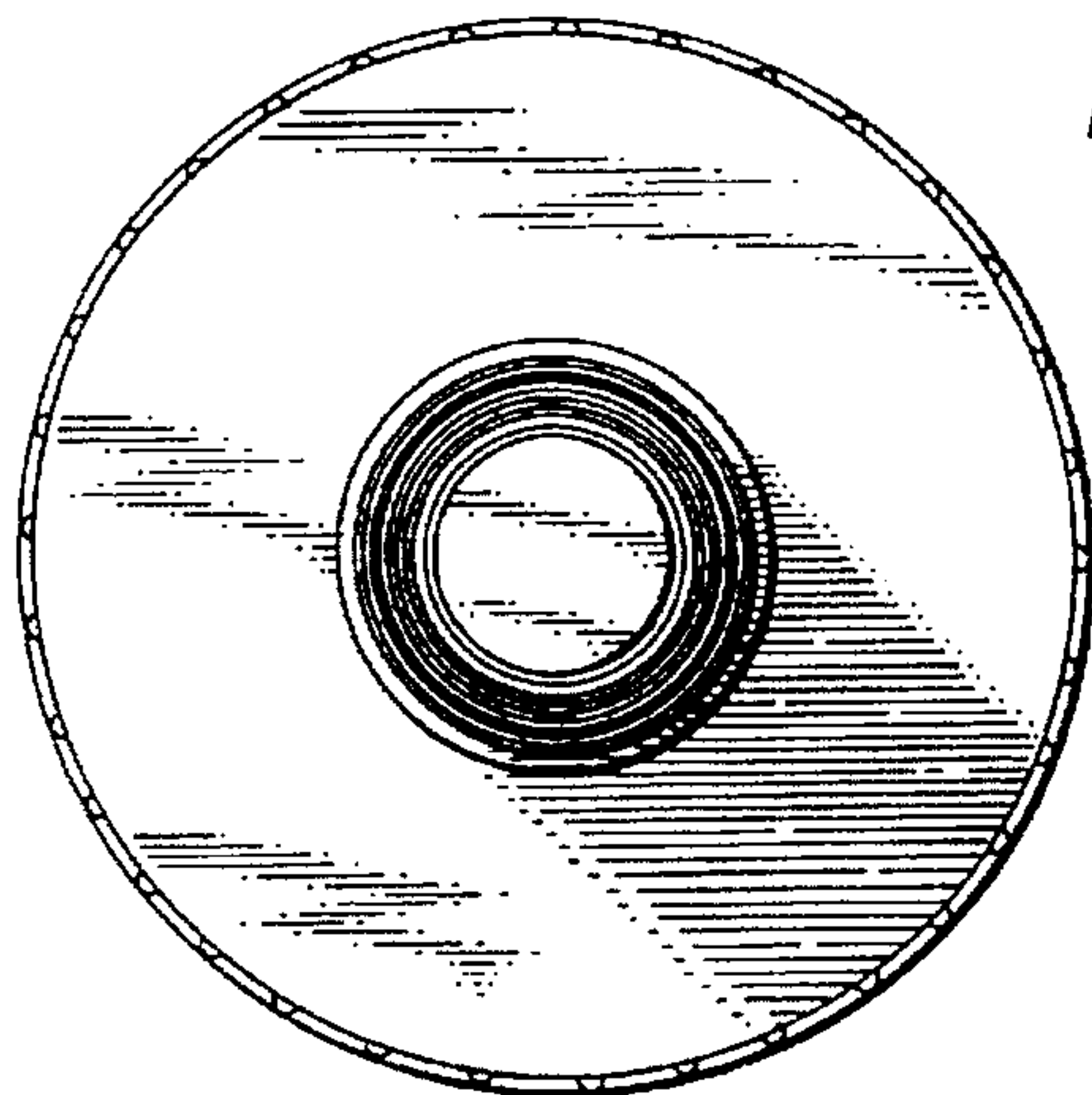




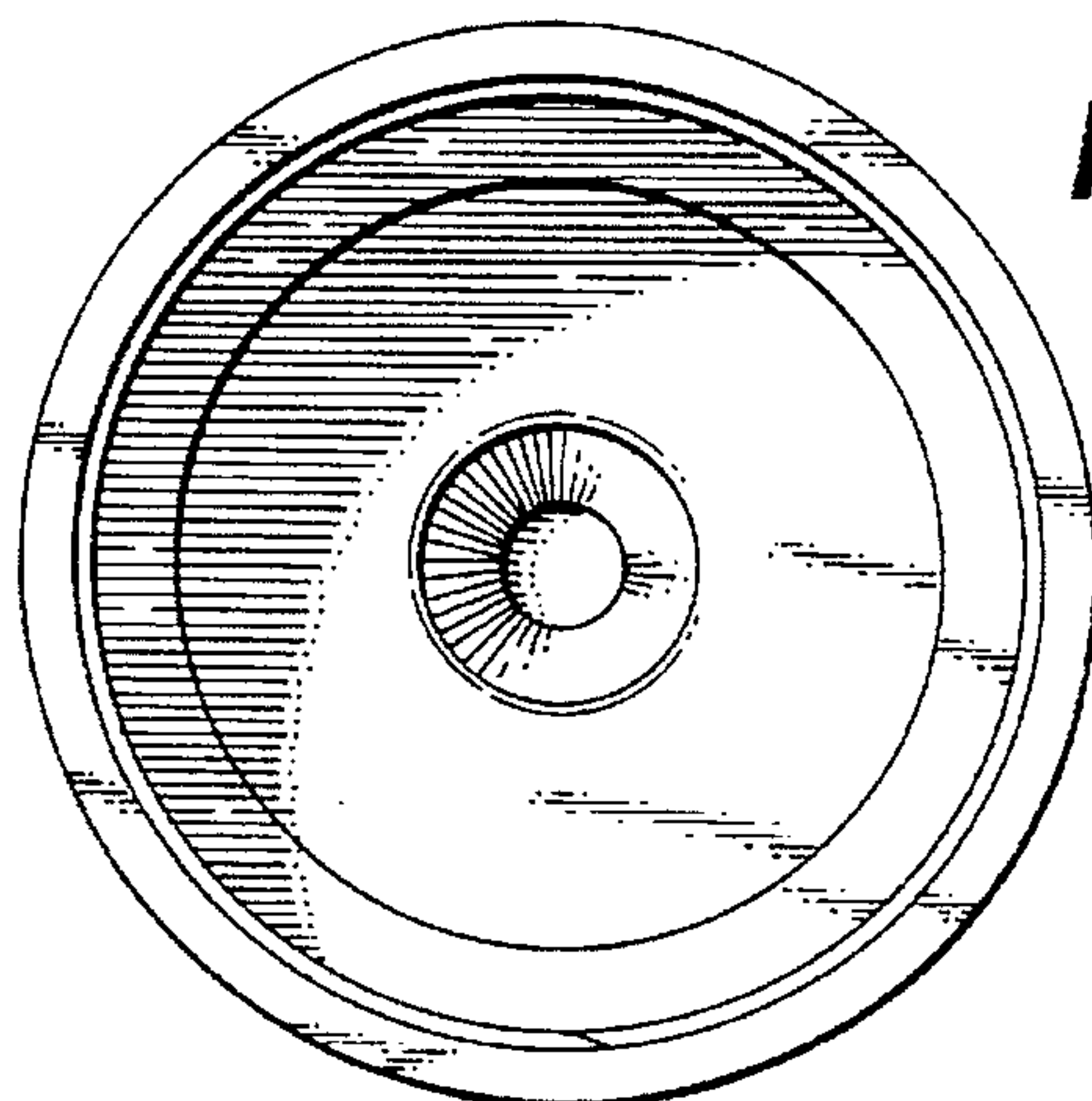
**Fig. 1**



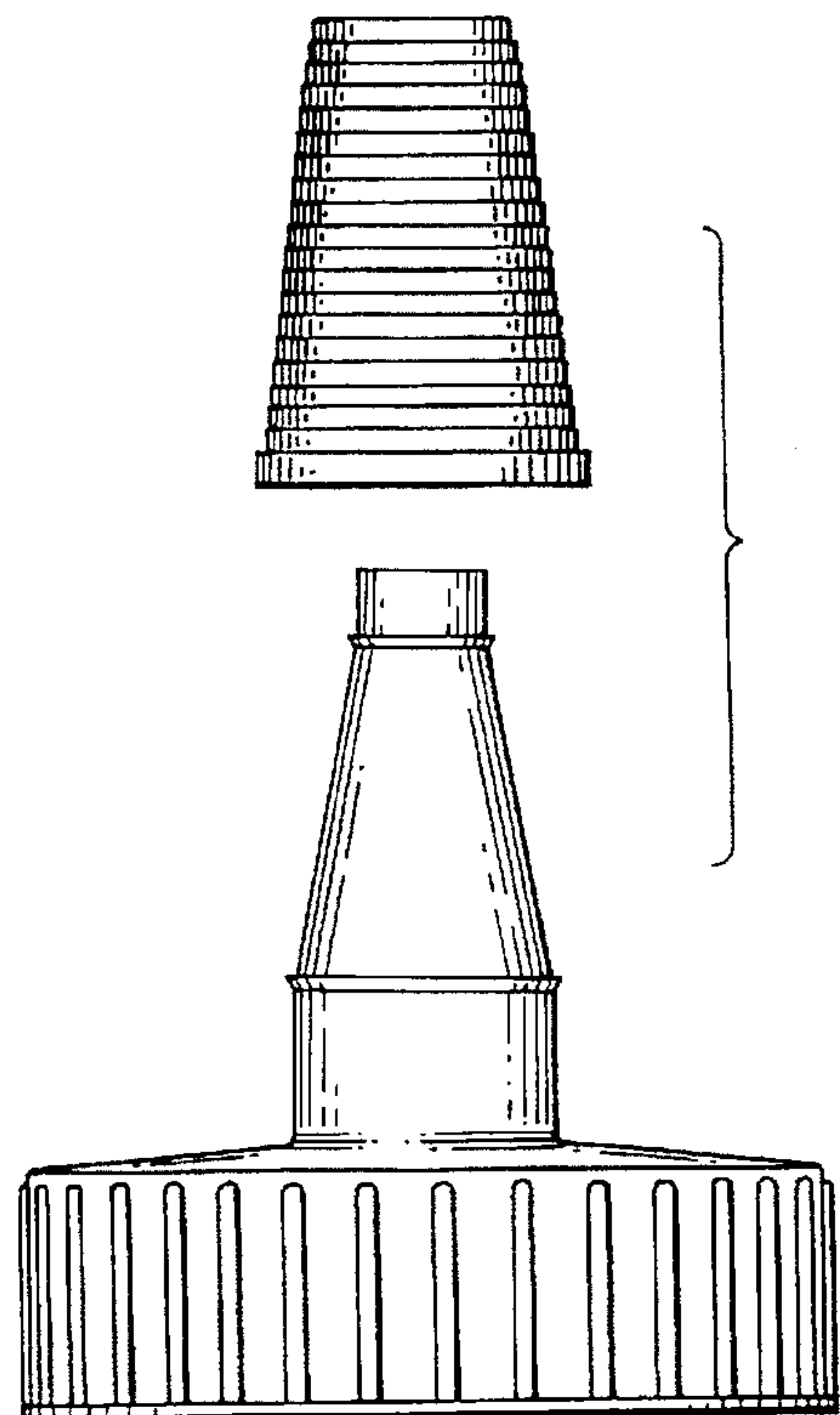
**Fig. 2**



**Fig. 3**



**Fig. 4**



**Fig. 5**