



US00D379300S

United States Patent [19]

[11] Patent Number: Des. 379,300

Krupa et al.

[45] Date of Patent: **May 20, 1997

[54] FRUIT CONTAINER

[75] Inventors: Calvin S. Krupa, Medina; Robert Knoss, Anoka, both of Minn.

[73] Assignee: Ultra Pac, Inc., Rogers, Minn.

[**] Term: 14 Years

[21] Appl. No.: 40,985

[22] Filed: Jun. 30, 1995

[51] LOC (6) Cl. 09-03

[52] U.S. Cl. D9/341

[58] Field of Search D9/341, 345, 346; 206/521, 521.1, 521.15, 521.7, 521.8; 220/508

3,145,870	8/1964	Lockwood .	
3,257,062	6/1966	Whiteford	D9/341 X
3,365,308	1/1968	Janicke .	
3,398,875	8/1968	Snow .	
3,651,930	3/1972	Artz .	
3,695,479	10/1972	Crabtree .	
3,874,548	4/1975	Buff, Jr. .	
3,933,295	1/1976	Congleton .	
4,173,286	11/1979	Stanko .	
4,195,746	4/1980	Cottrell .	
4,757,899	7/1988	Magnusson .	
4,838,444	6/1989	Bitel .	
4,974,738	12/1990	Kidd .	
5,165,947	11/1992	Colucci .	

FOREIGN PATENT DOCUMENTS

1418897 12/1975 United Kingdom 206/521.8

OTHER PUBLICATIONS

Oscar Myer Products, May 1986.
Modern Packaging, Dec. 1975, p. 67.

Primary Examiner—Sandra L. Morris
Assistant Examiner—Nanda Bondade
Attorney, Agent, or Firm—Haugen and Nikolai. P.A.

[57] CLAIM

The ornamental design for the "fruit container", as shown and described.

DESCRIPTION

FIG. 1 is a perspective view of a fruit container showing our new design;
FIG. 2 is a top plan view thereof;
FIG. 3 is a bottom plan view thereof;
FIG. 4 is a front elevational view thereof;
FIG. 5 is a rear elevational view thereof;
FIG. 6 is a left side elevational view thereof; and,
FIG. 7 is a right side elevational view thereof.

1 Claim, 2 Drawing Sheets

[56] References Cited

U.S. PATENT DOCUMENTS

Re. 25,094	12/1961	Flynn .	
D. 157,540	2/1950	Shepard	D9/345
D. 197,990	4/1964	Weiss .	
D. 197,992	4/1964	Weiss .	
D. 204,505	4/1966	Bostrom	D9/345
D. 221,134	7/1971	Bessett .	
D. 226,305	2/1973	Wilkes .	
D. 259,917	7/1981	Horshing .	
D. 272,317	1/1984	Parmentier	D9/345
D. 279,259	6/1985	Bixler et al.	D9/341
D. 327,841	7/1992	Letourneau .	
D. 343,576	1/1994	Krupa .	
D. 346,552	5/1994	Krupa	D9/341
D. 350,880	9/1994	Van Valkenburg .	
586,846	7/1897	Hammer .	
1,445,780	2/1923	Mann .	
1,803,128	4/1931	Oxhandler .	
1,843,543	2/1932	Reamer .	
3,000,528	9/1961	Kuhl .	
3,049,259	8/1962	Mazzi .	
3,128,933	4/1964	Hohnjec .	
3,143,237	8/1964	Weiss .	

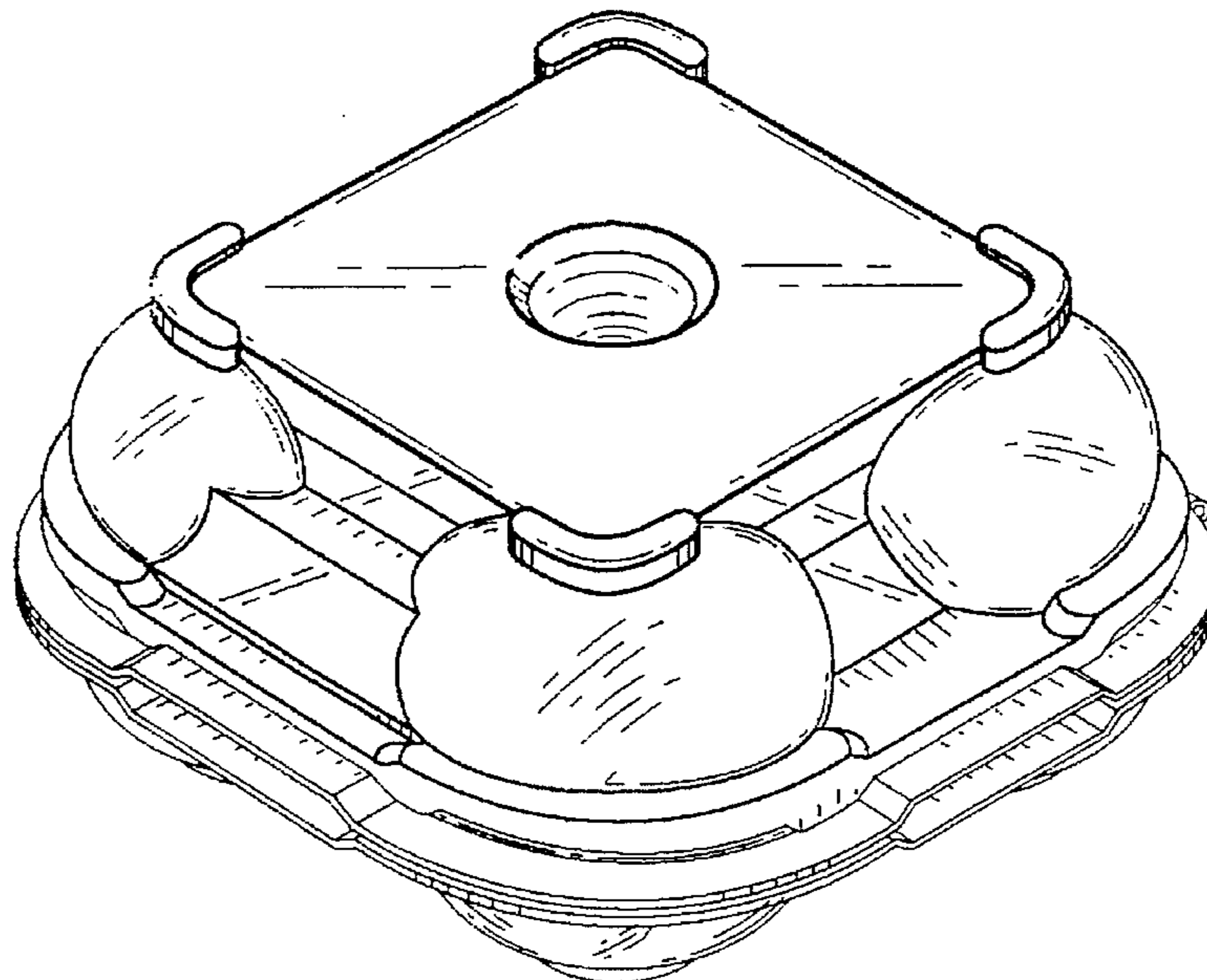


Fig.1

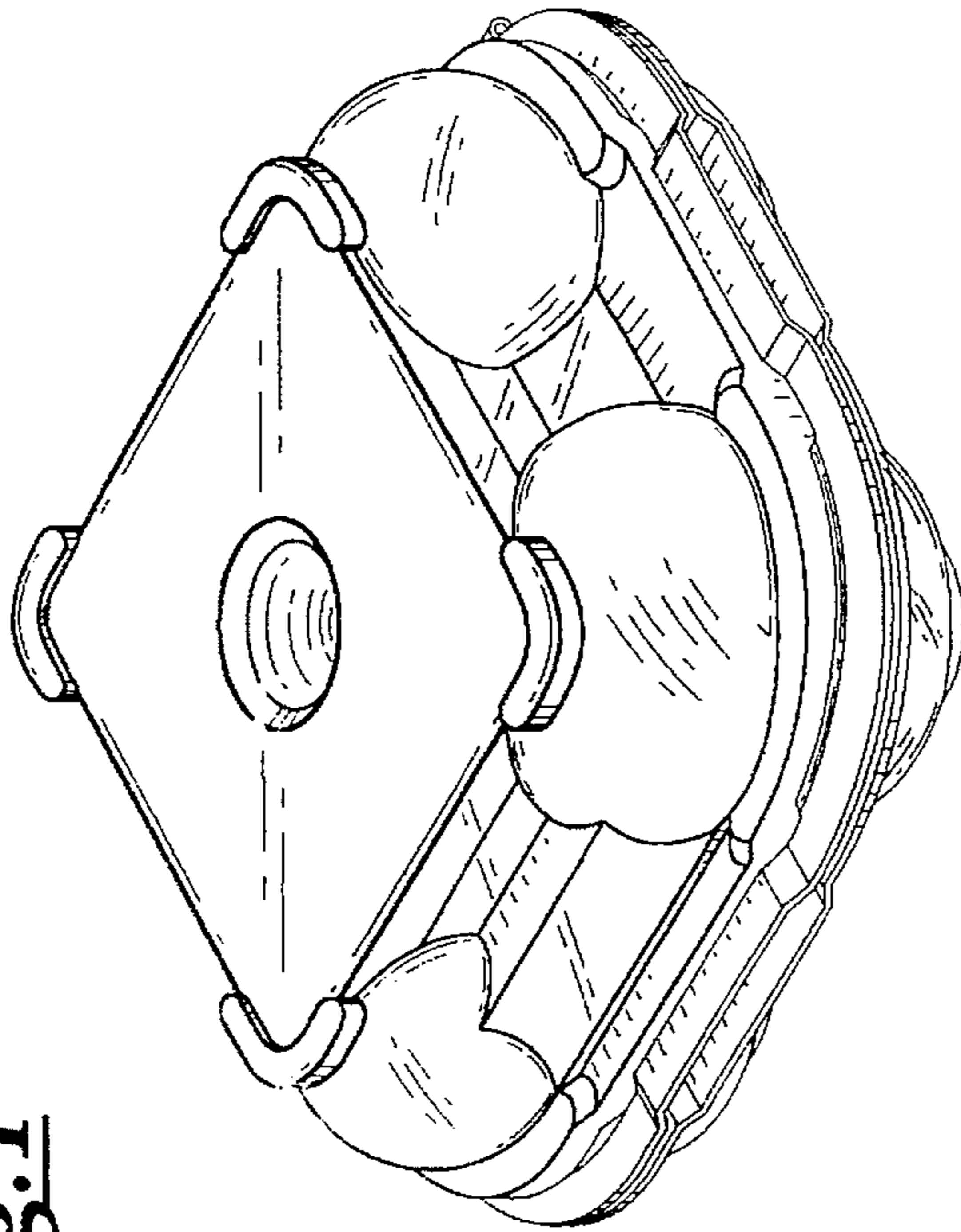


Fig.2

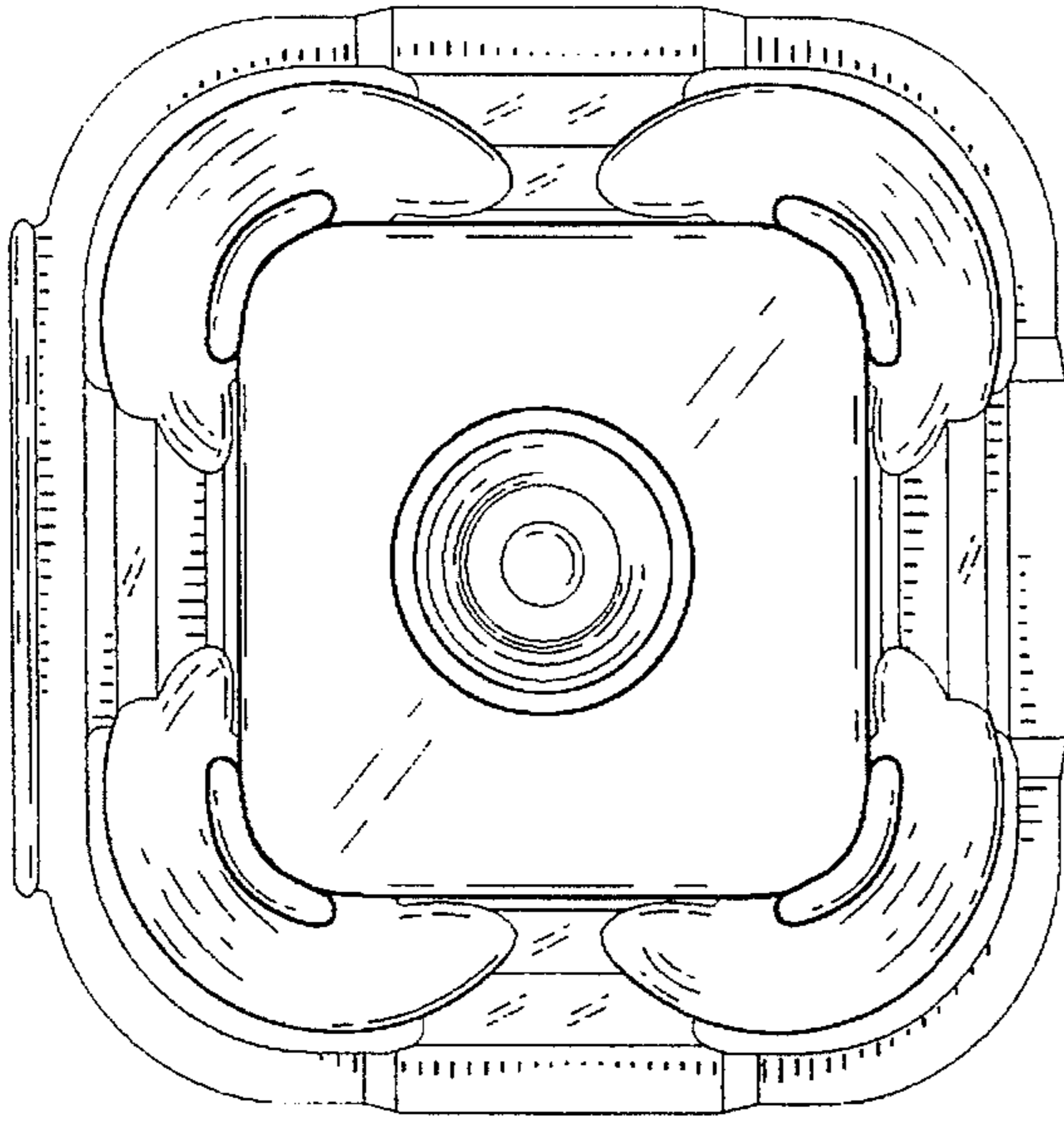


Fig.3

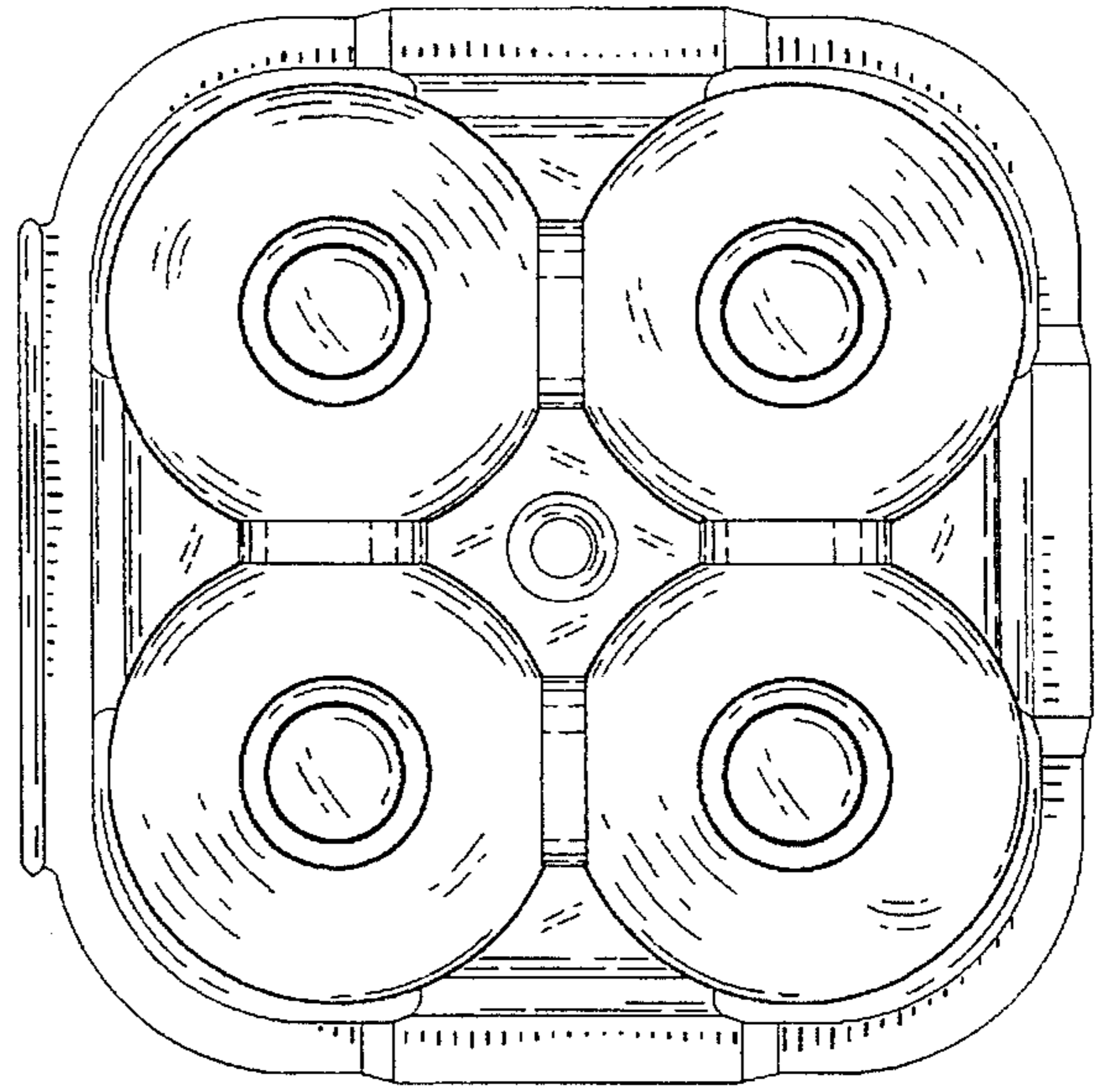


Fig. 5

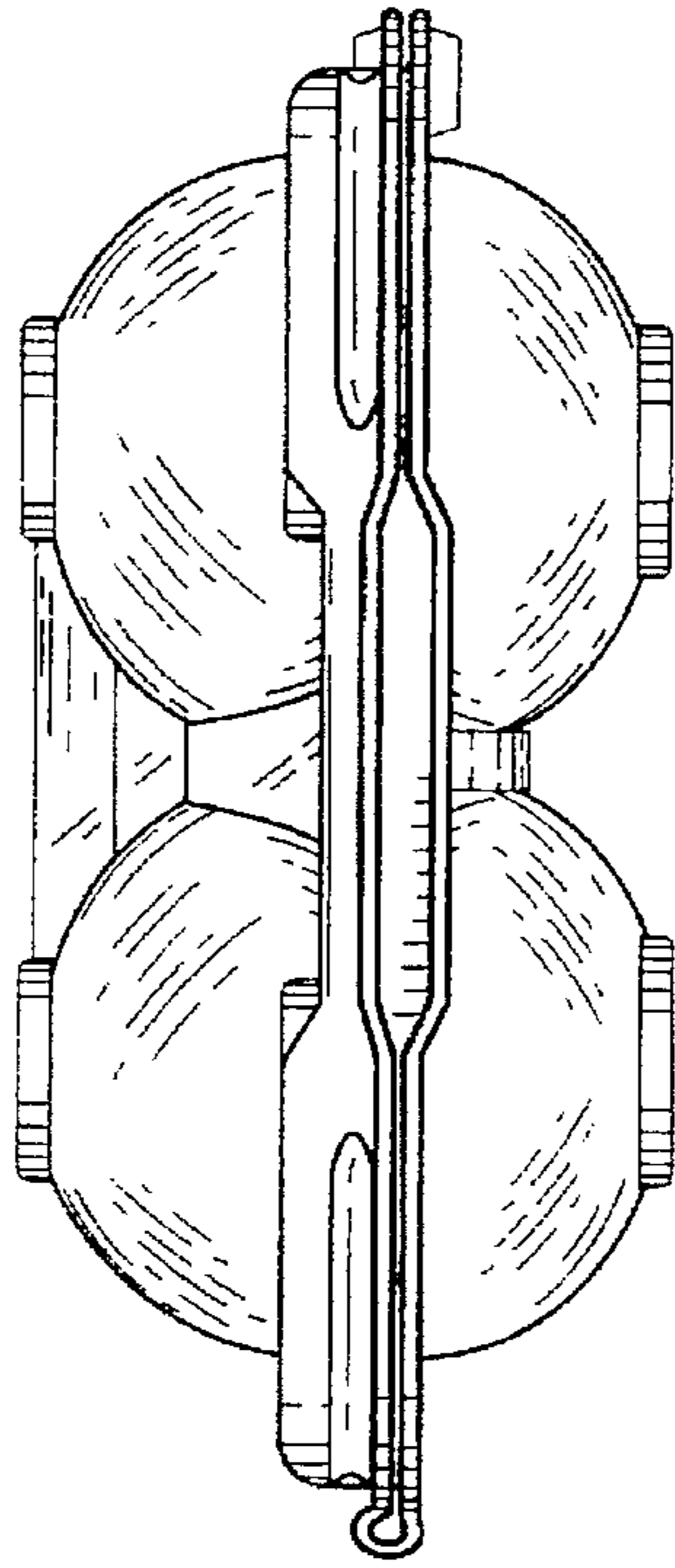


Fig. 7

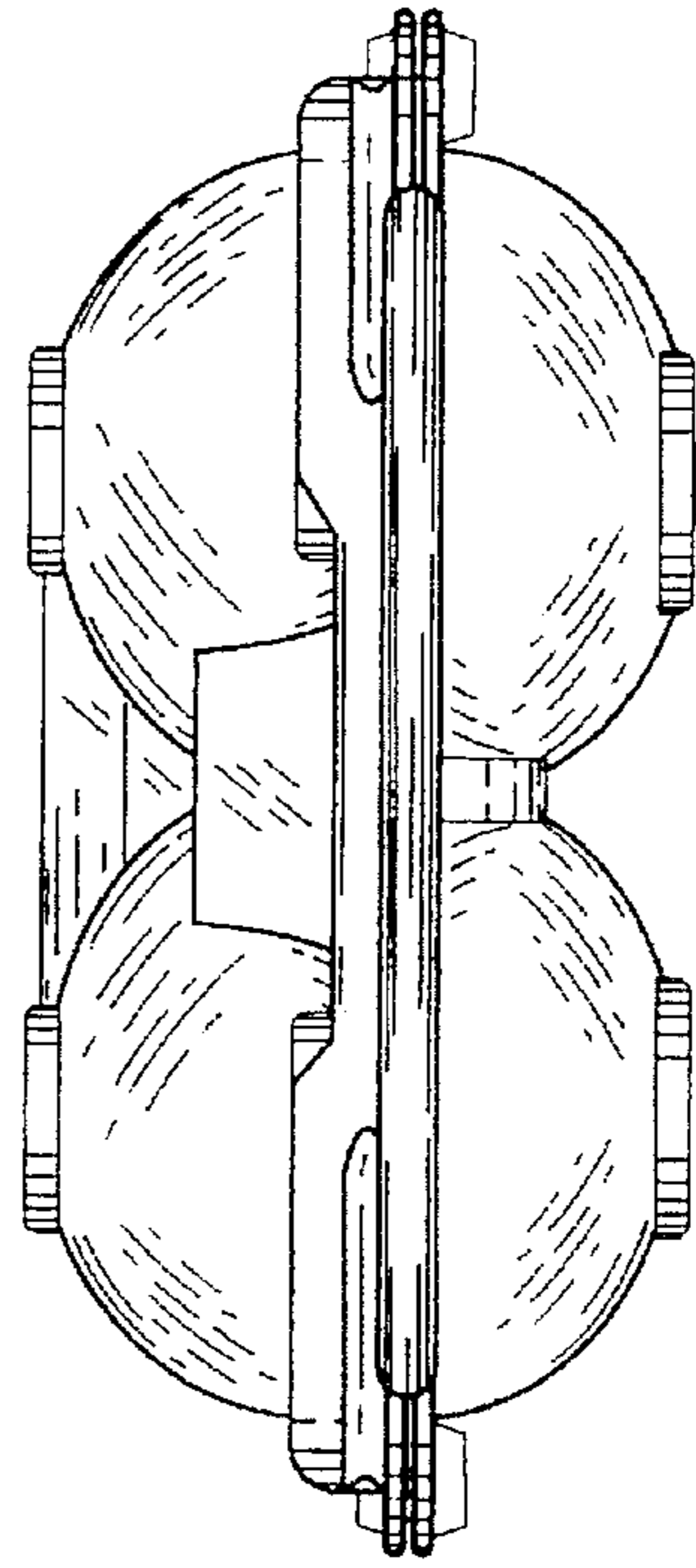


Fig. 4

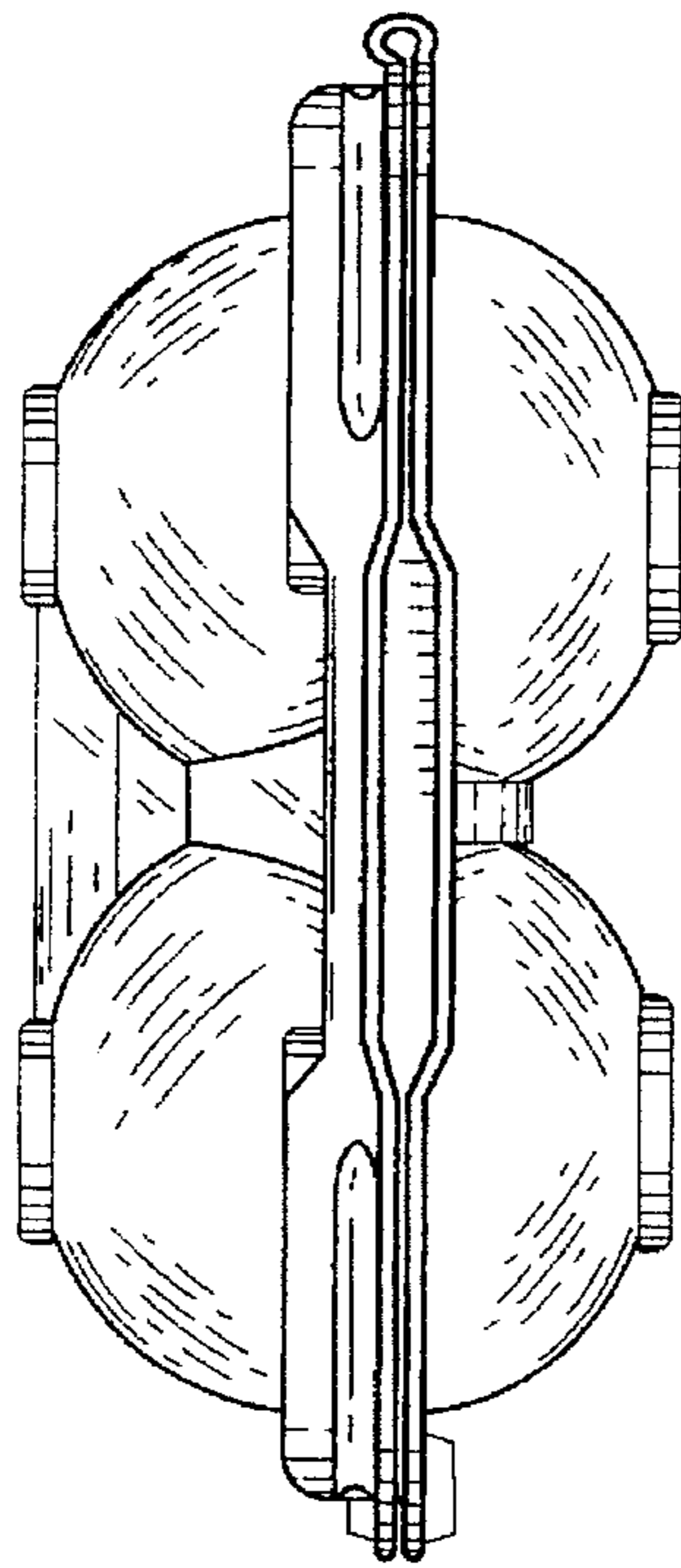


Fig. 6

