



US00D379296S

United States Patent [19]
Ferdman

[11] **Patent Number:** **Des. 379,296**

[45] **Date of Patent:** ****May 20, 1997**

[54] **CURTAIN HANGER**

[76] **Inventor:** **Morris Ferdman**, 3 Renoak Drive,
Willowdale, Ont., Canada, M2R 3E1

[**] **Term:** **14 Years**

[21] **Appl. No.:** **32,479**

[22] **Filed:** **Dec. 20, 1994**

Related U.S. Application Data

[62] Division of Ser. No. 8,299, May 13, 1993, Pat. No. Des. 357,624.

[30] **Foreign Application Priority Data**

Nov. 13, 1992 [CA] Canada 13-11-92-6

[51] **LOC (6) Cl.** **08-05**

[52] **U.S. Cl.** **D8/368**

[58] **Field of Search** D8/368-370, 363;
160/348-350, 349.2; 248/302-303

[56] **References Cited**

U.S. PATENT DOCUMENTS

- D. 138,803 4/1944 Herman D8/368
- D. 166,108 7/1952 Vance D6/578
- D. 175,710 10/1955 Brüninghaus D8/395
- D. 198,683 7/1964 Liddell D6/578
- D. 277,055 1/1985 Buchanan D8/363 X
- D. 280,596 9/1985 Keeler D8/370 X
- D. 281,950 12/1985 Sachs D8/370
- D. 286,261 10/1986 Smederöd D8/354
- 409,760 8/1889 Shimm 160/348
- 464,499 12/1891 Grenelle 24/457
- 678,155 7/1901 Bailey .
- 720,430 2/1903 Hoffman .
- 839,729 12/1906 Chance .
- 851,678 4/1907 Levy .

- 932,778 8/1909 Gould .
- 1,146,642 7/1915 Miser .
- 1,171,198 2/1916 Hellberg .
- 1,732,162 10/1929 Griner .
- 2,431,934 2/1947 Higgins .
- 2,470,233 5/1949 Boye .
- 2,532,255 11/1950 Davis .
- 2,596,835 5/1952 Bengé .
- 2,692,018 10/1954 Palm .
- 3,108,723 10/1963 Hickey .
- 3,740,013 6/1973 Bentley .
- 4,958,646 9/1990 Hannerstag .

FOREIGN PATENT DOCUMENTS

- D68245 3/1991 Canada .
- D68244 3/1991 Canada .
- 1196698 11/1959 France .
- 8337252 U 4/1984 Germany .
- 60739 2/1948 Netherlands .
- 20736 of 1905 United Kingdom .
- 26399 of 1913 United Kingdom .

OTHER PUBLICATIONS

Holiday Gifts, 1974, p. 87, hanging bracket, circled at bottom left of page.

Two page extract from Swedecor (by AB A. Svensson & Co.): "The Spiral and the Triple Spiral".

Primary Examiner—Holly H. Baynham
Attorney, Agent, or Firm—Bereskin & Parr

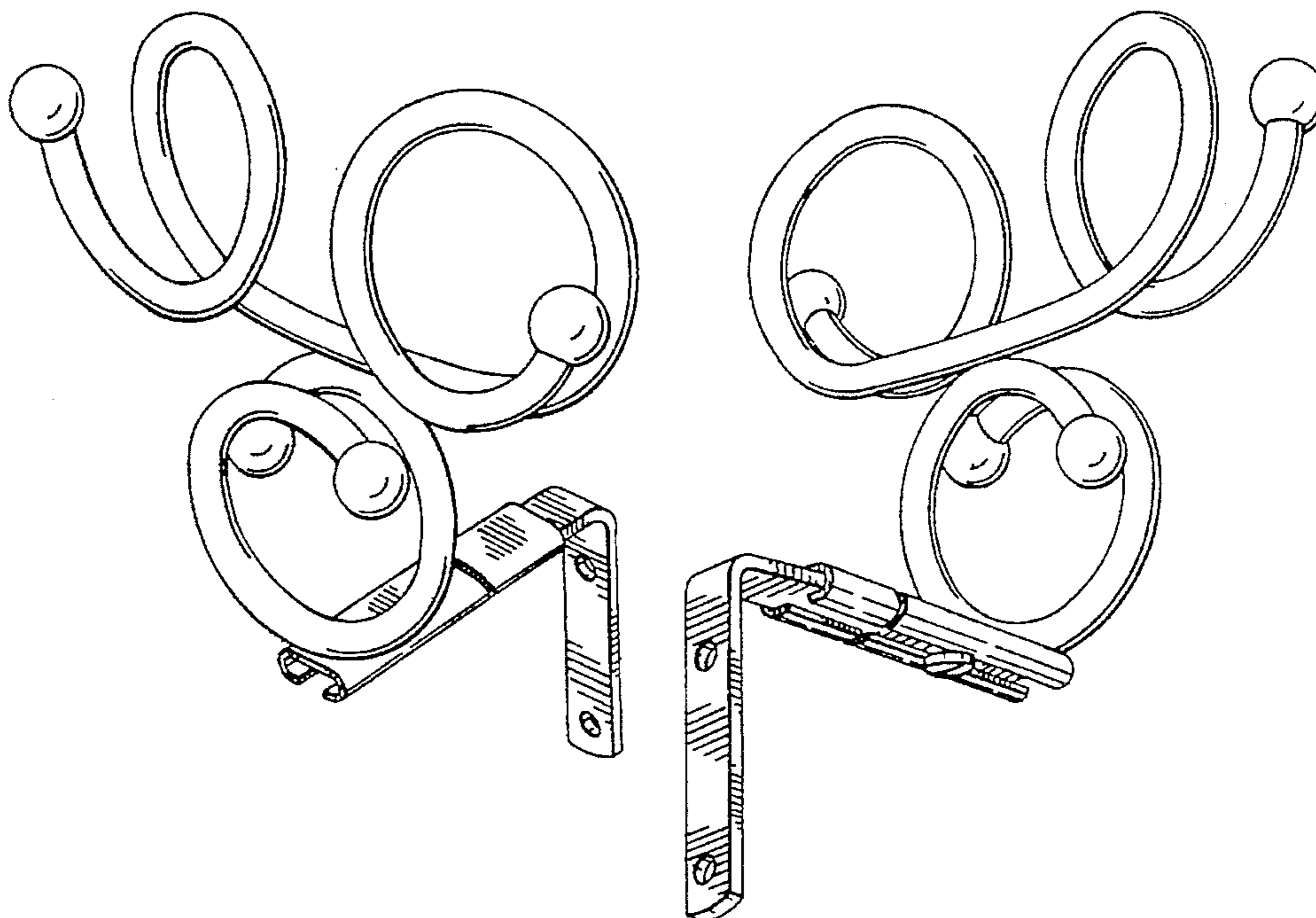
[57] **CLAIM**

The ornamental design for a curtain hanger, as shown.

DESCRIPTION

FIG. 1 is a front, right perspective view of a curtain hanger showing my new design; and,
FIG. 2 is a rear perspective view thereof.

1 Claim, 1 Drawing Sheet



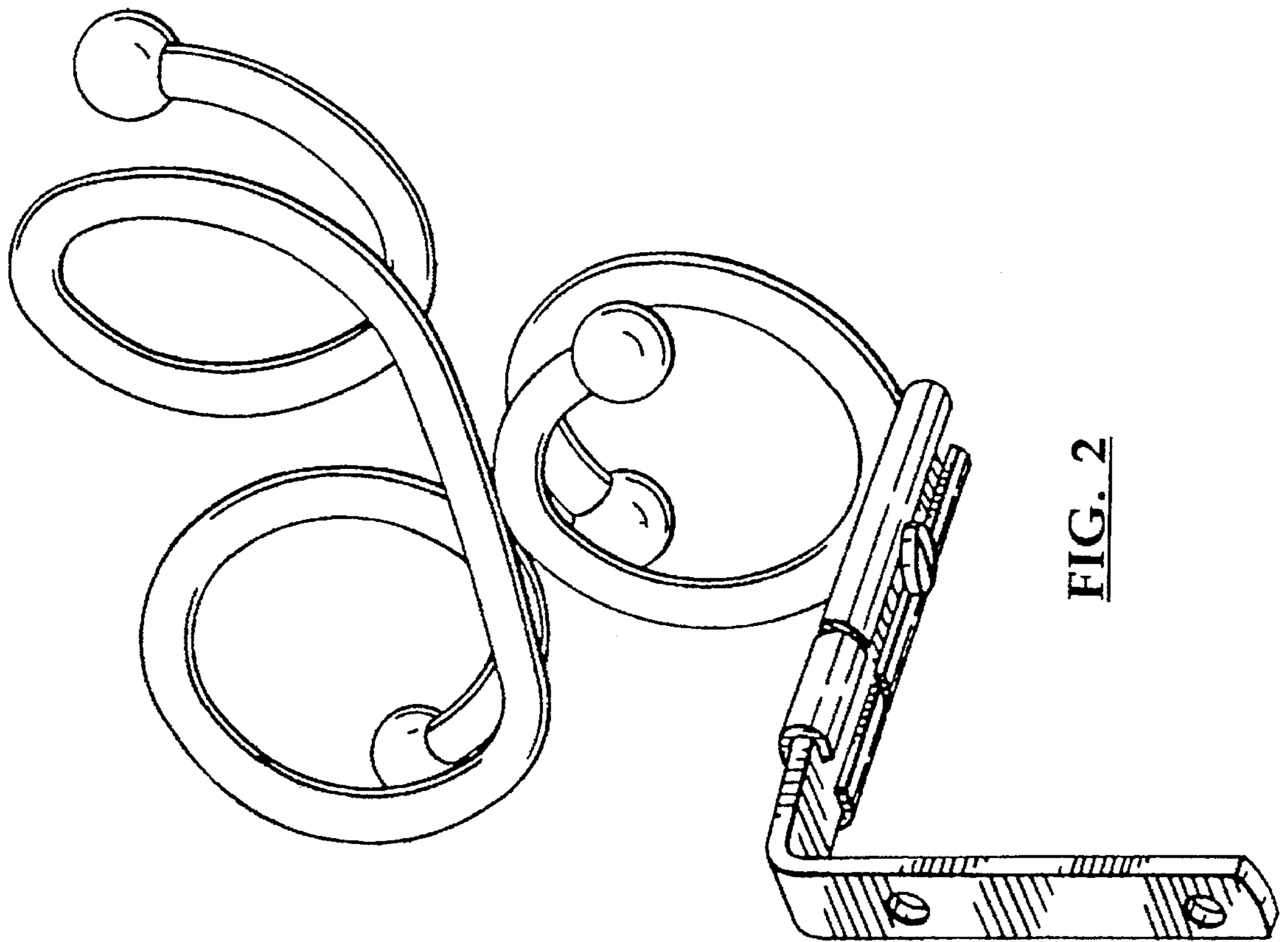


FIG. 1

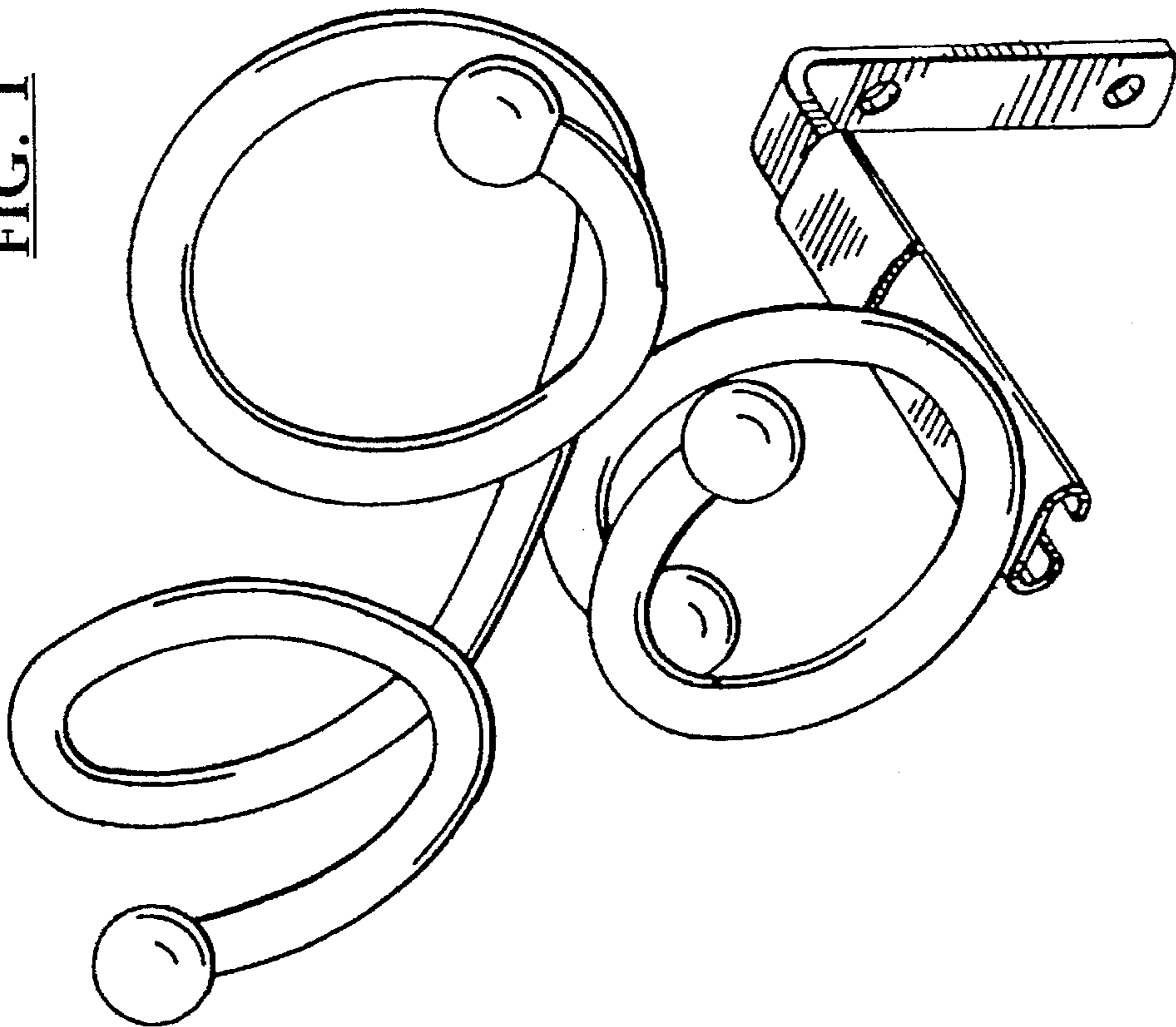


FIG. 2