



US00D379295S

United States Patent [19]
Kopish

[11] **Patent Number:** **Des. 379,295**

[45] **Date of Patent:** ****May 20, 1997**

[54] **CROSS-MEMBER FOR SUPPORTING AN ITEM OF FURNITURE SUCH AS A BED**

[75] **Inventor:** **Andrew J. Kopish**, Green Bay, Wis.

[73] **Assignee:** **Krueger International, Inc.**, Green Bay, Wis.

[**] **Term:** **14 Years**

[21] **Appl. No.:** **40,069**

[22] **Filed:** **Jun. 9, 1995**

[51] **LOC (6) Cl.** **08-05**

[52] **U.S. Cl.** **D8/349**

[58] **Field of Search** D8/354; D25/119, D25/122, 199, 164; 52/639, 95, 690; 248/200, 221.1, 223.4, 224.1-224.4, 222.1, 235, 300; 5/304, 503.1

[56] **References Cited**

U.S. PATENT DOCUMENTS

- D. 272,886 3/1984 Holcome D8/354 X
- D. 285,047 8/1986 Dean et al. D8/349 X

- D. 340,856 11/1993 McHugh D8/354
- D. 359,944 7/1995 Roberts et al. D8/354 X

Primary Examiner—Holly Baynham
Attorney, Agent, or Firm—Andrus, Scales, Starke & Sawall

[57] **CLAIM**

The ornamental design of a cross-member for supporting an item of furniture such as a bed, as shown and described.

DESCRIPTION

FIG. 1 is an isometric view incorporating my new design;
 FIG. 2 is a top plan view thereof;
 FIG. 3 is a side elevation view thereof;
 FIG. 4 is an end elevation view thereof;
 FIG. 5 is an isometric view of a second embodiment of the design shown in FIG. 1;
 FIG. 6 is a top plan view thereof;
 FIG. 7 is a side elevation view thereof; and,
 FIG. 8 is an end elevation view thereof.
 The claimed design is broken away in FIGS. 1-3 and 5-7 to indicate indeterminant length.

1 Claim, 2 Drawing Sheets

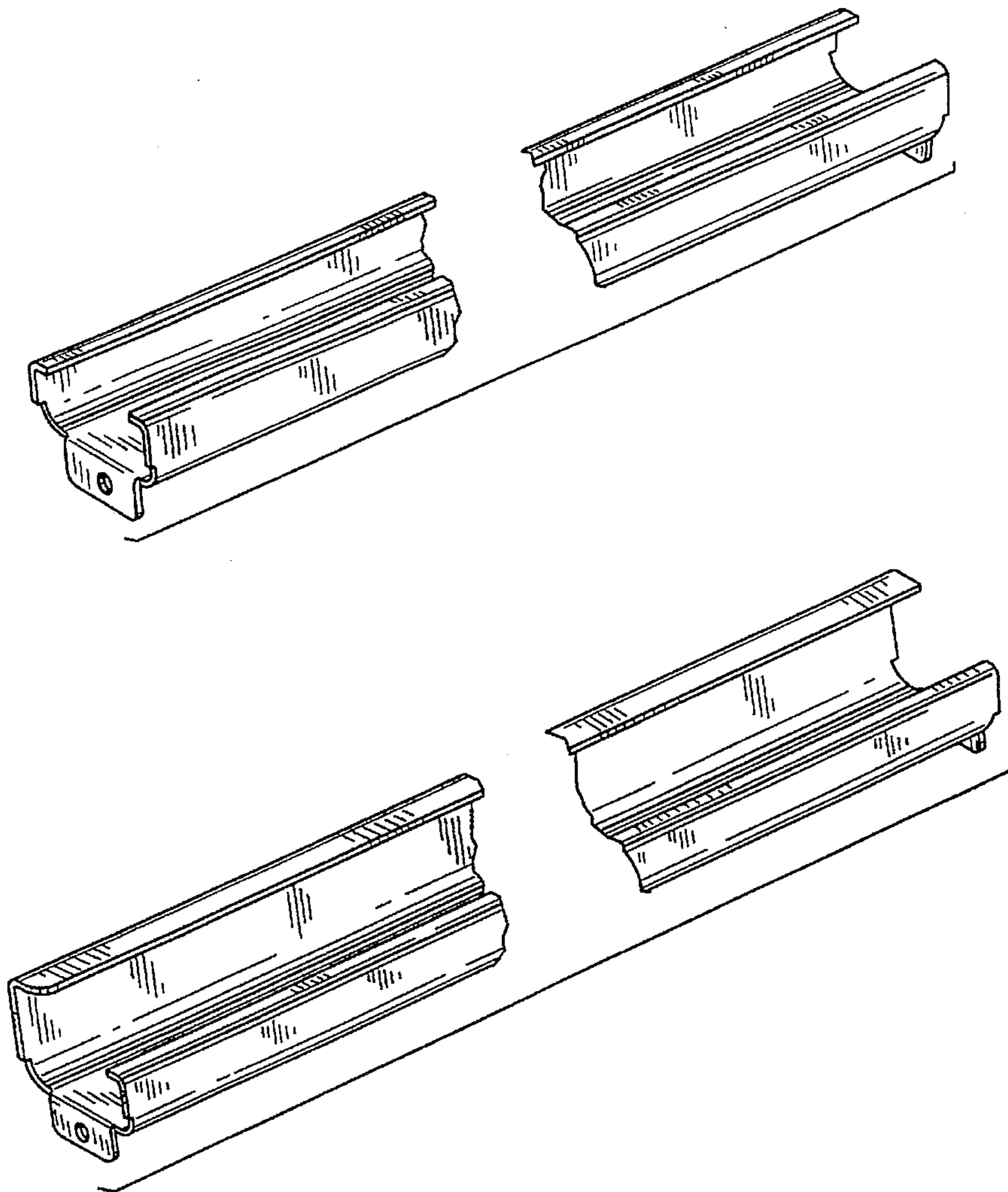


FIG. 1

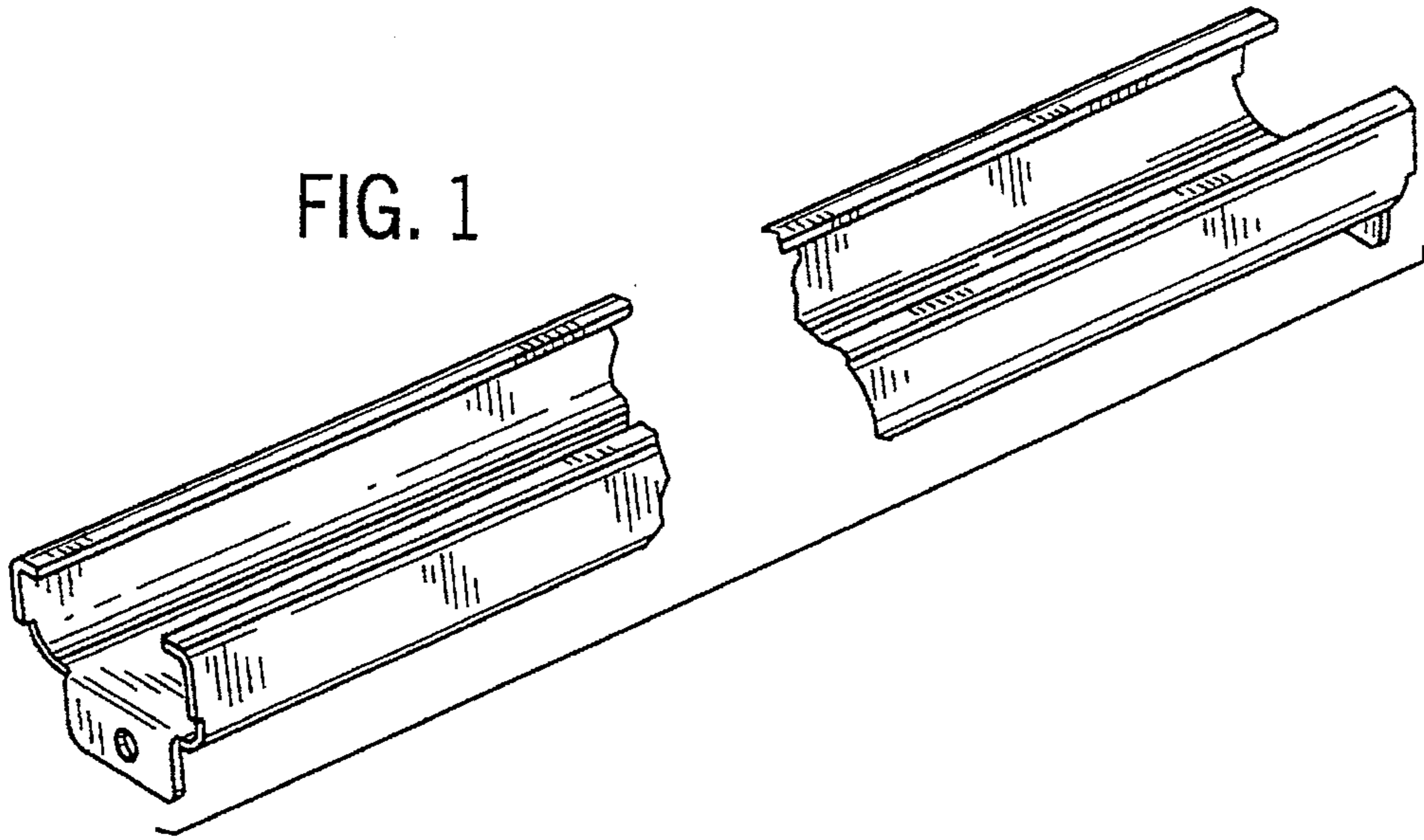


FIG. 2

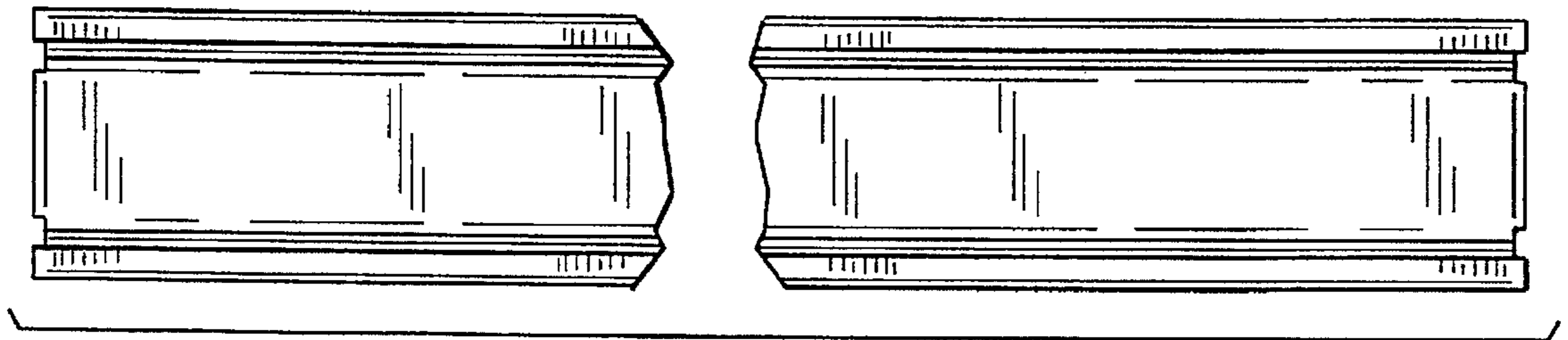


FIG. 3

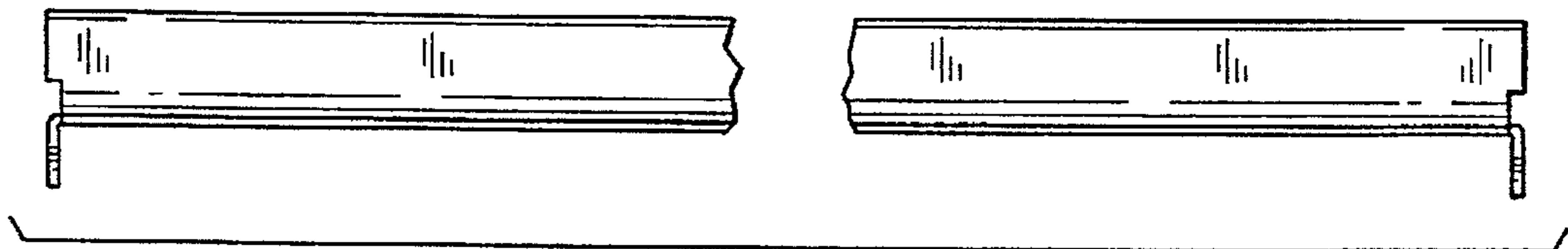
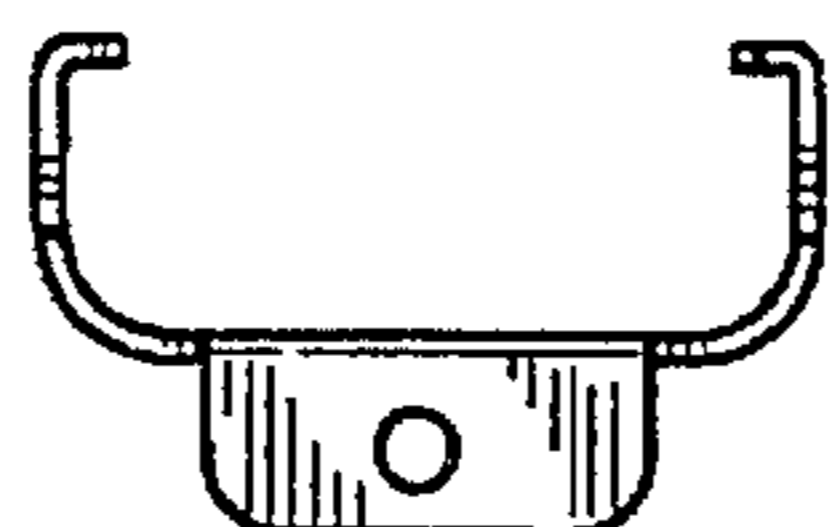


FIG. 4



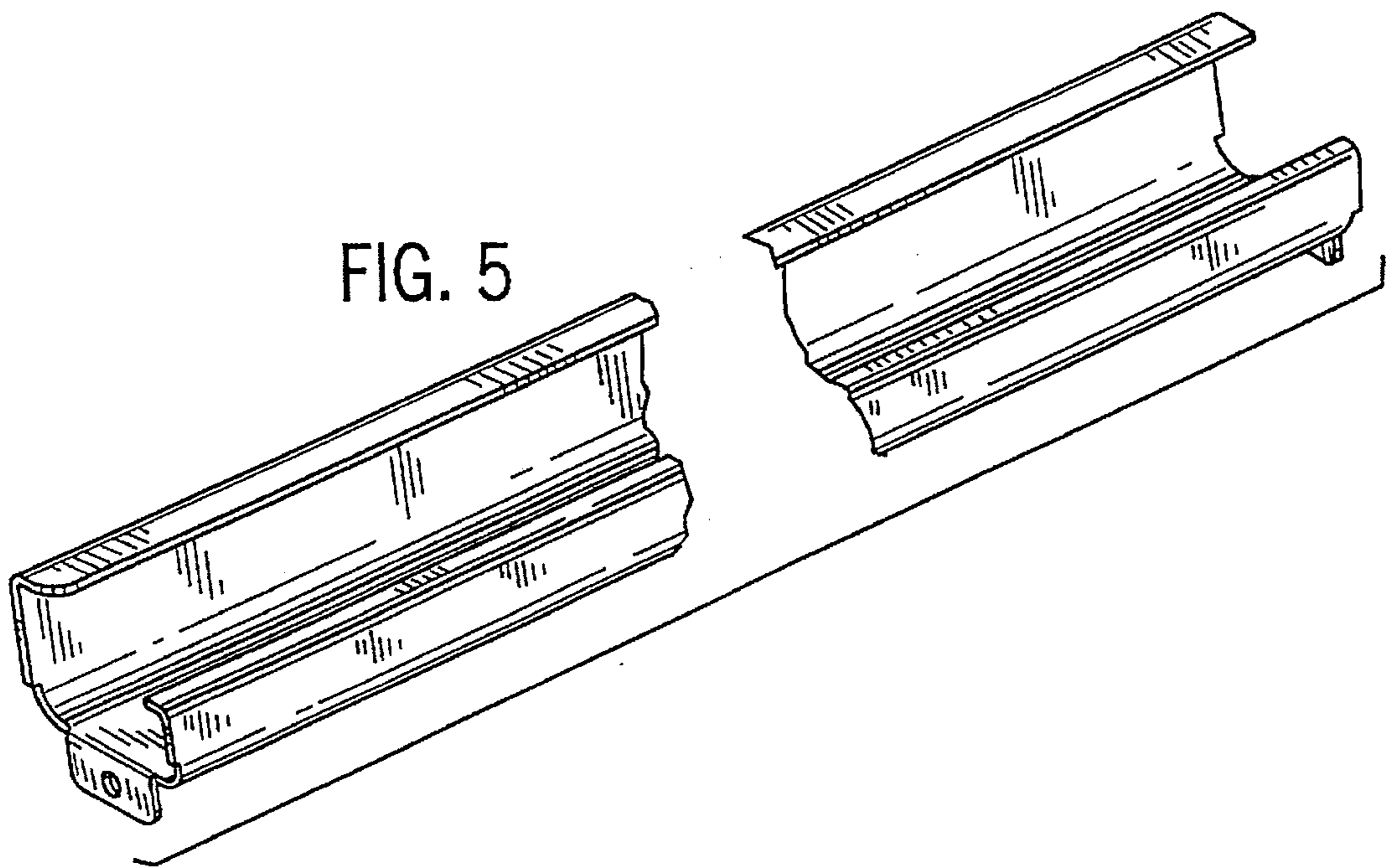


FIG. 6

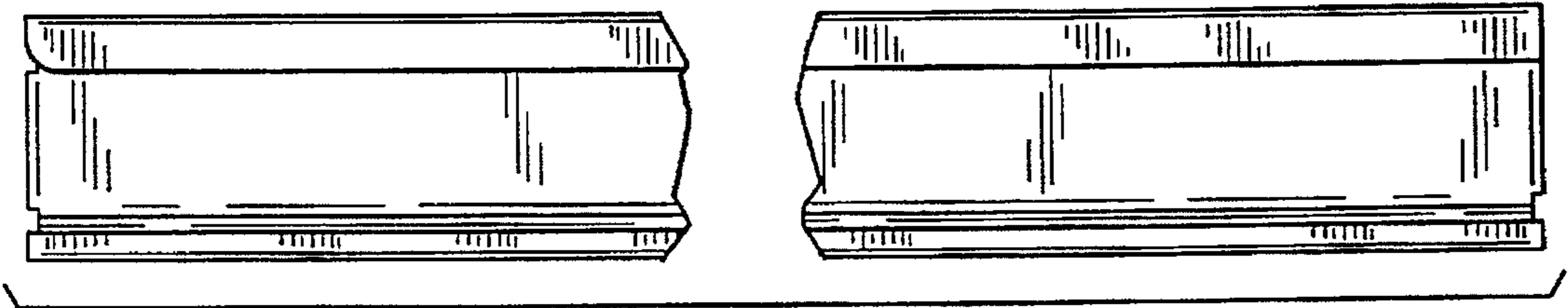


FIG. 7

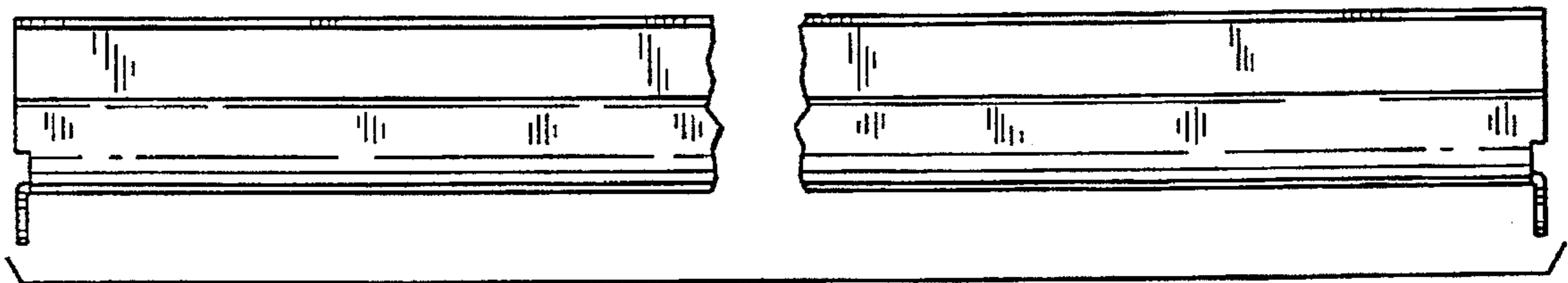


FIG. 8

