



US00D379293S

# United States Patent [19] Schultz

[11] Patent Number: Des. 379,293

[45] Date of Patent: \*\*May 20, 1997

[54] **FIBERGLASS KNIFE**

[76] Inventor: **Vincent L. Schultz**, 435 W. Seventh Ave., Shakopee, Minn. 55379

[\*\*] Term: **14 Years**

[21] Appl. No.: **51,273**

[22] Filed: **Mar. 8, 1996**

[51] LOC (6) Cl. .... **08-03**

[52] U.S. Cl. .... **D8/98; D8/99**

[58] Field of Search ..... D8/98, 99, 107; D22/118; 30/329, 337, 317, 294, 336, 162

2,907,106 10/1959 Lockwood .  
 2,948,960 8/1960 Eckstein .  
 3,157,946 11/1964 Smecko .  
 3,219,316 11/1965 Fried .  
 3,965,575 6/1976 Stunger ..... 30/317  
 4,713,884 12/1987 Dunnagan ..... 30/294  
 4,821,418 4/1989 Windhager ..... 30/329  
 5,063,627 11/1991 Marra ..... 7/105

Primary Examiner—Philip S. Hyder  
 Attorney, Agent, or Firm—Palmatier, Sjoquist, Helget & Voigt, P.A.

### [57] CLAIM

The ornamental design for a fiberglass knife, as shown and described.

### DESCRIPTION

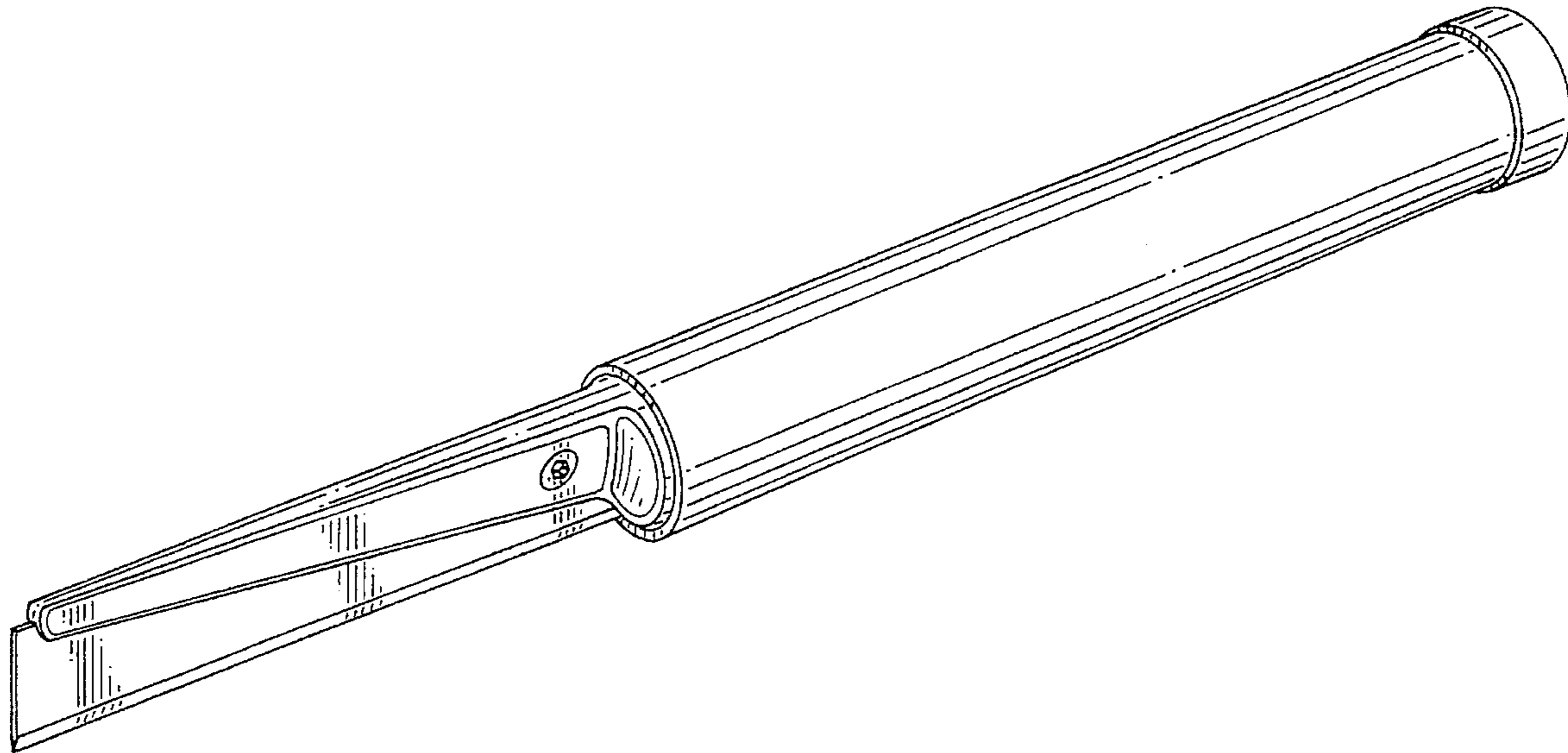
FIG. 1 is an isometric view of the fiberglass knife; FIG. 2 is a front end view of the fiberglass knife; FIG. 3 is a rear end view of the fiberglass knife; FIG. 4 is a bottom view of the fiberglass knife; FIG. 5 is a top view of the fiberglass knife; and, FIG. 6 is a side view of the fiberglass knife.

1 Claim, 2 Drawing Sheets

### References Cited

#### U.S. PATENT DOCUMENTS

D. 245,570 8/1977 West et al. .... D8/99  
 D. 299,807 2/1989 Sawa ..... D8/98  
 D. 300,600 4/1989 High ..... D8/107  
 D. 344,155 2/1994 Ueno et al. .... D8/98  
 825,063 7/1906 Lawbaugh .  
 832,455 10/1906 Christensen .  
 2,316,446 4/1943 Matsunaga .  
 2,559,689 7/1951 Truesdell .



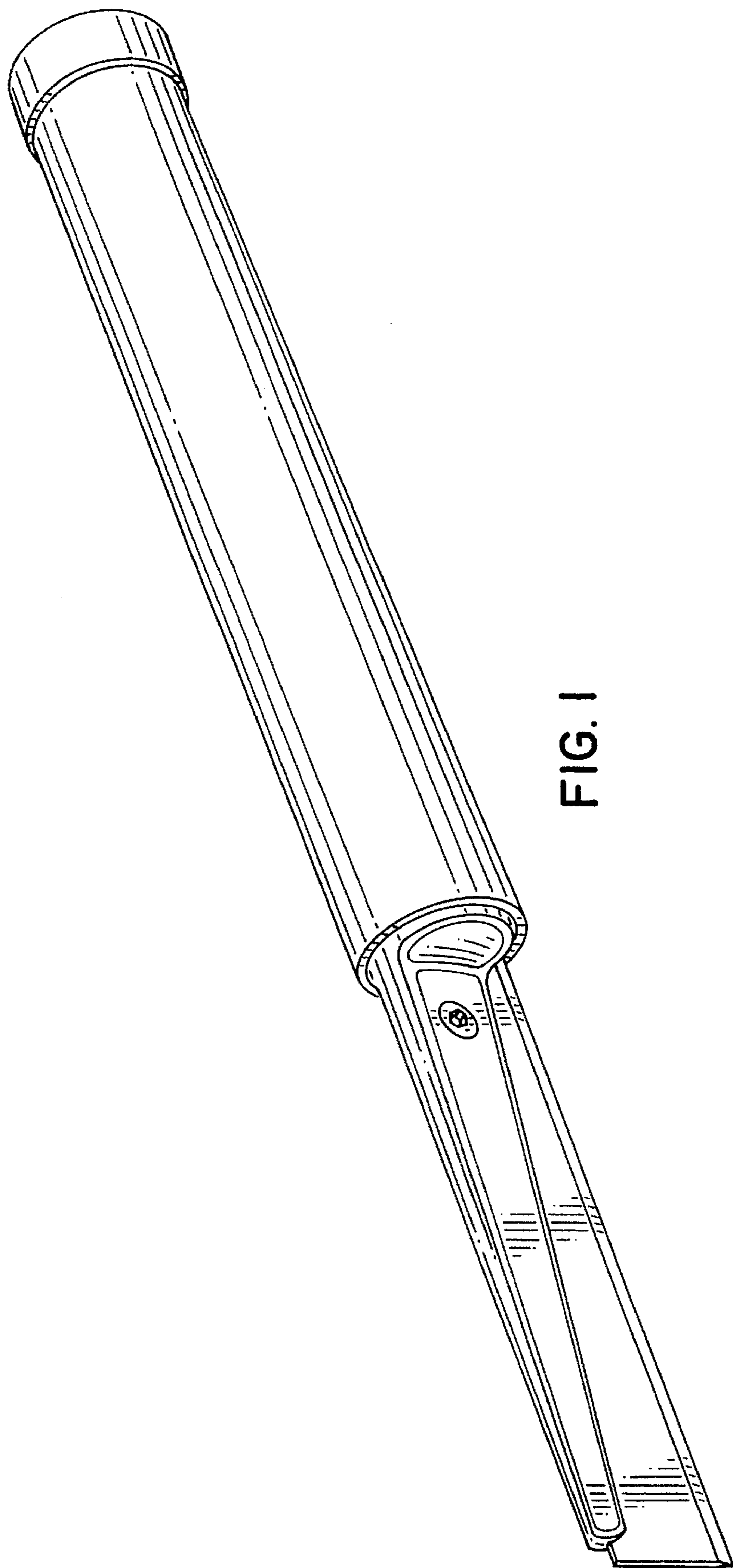


FIG. 1

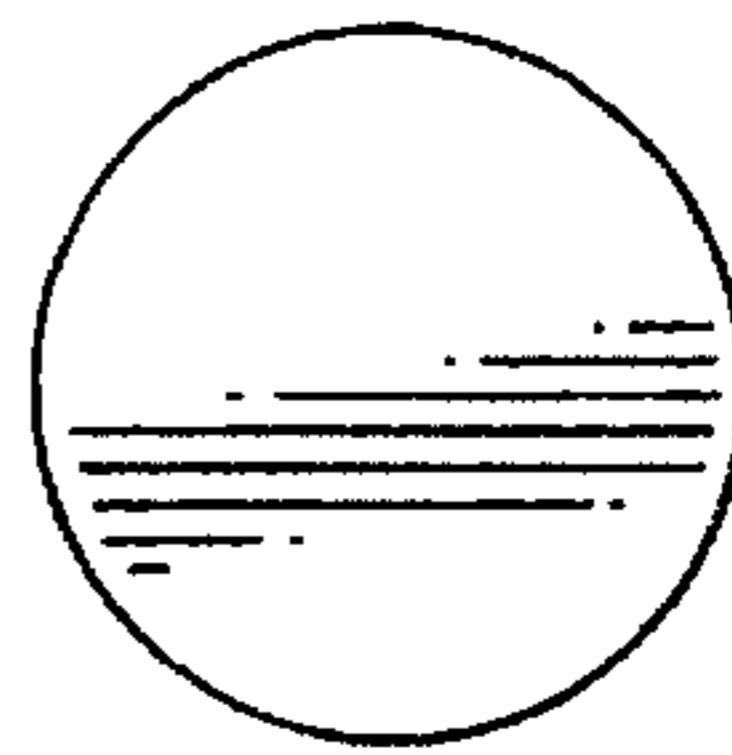


FIG. 3

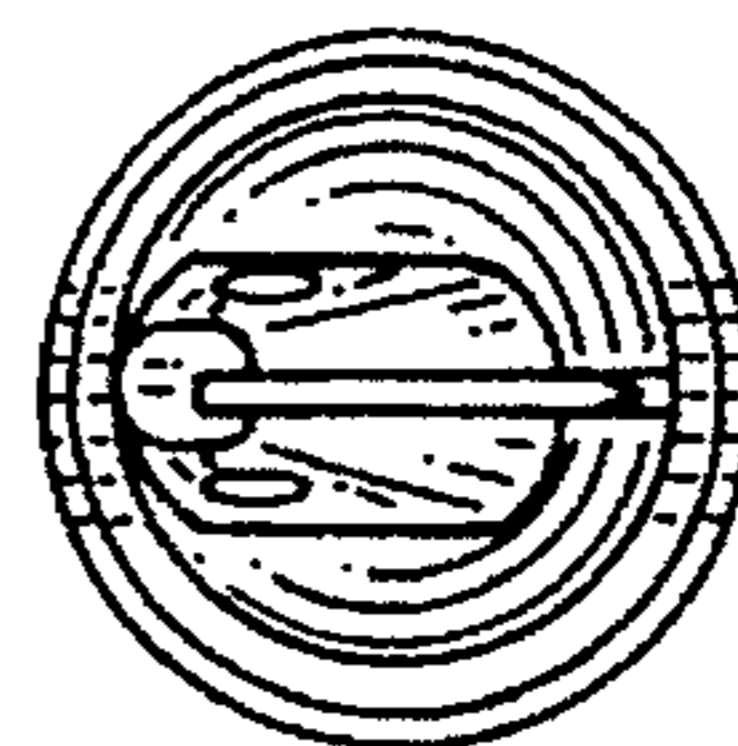


FIG. 2

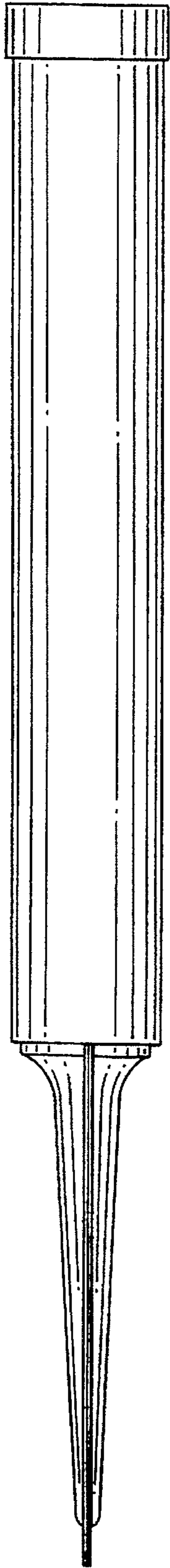


FIG. 4

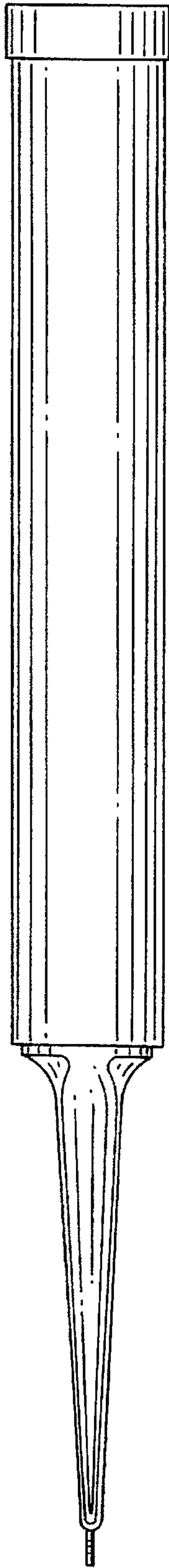


FIG. 5

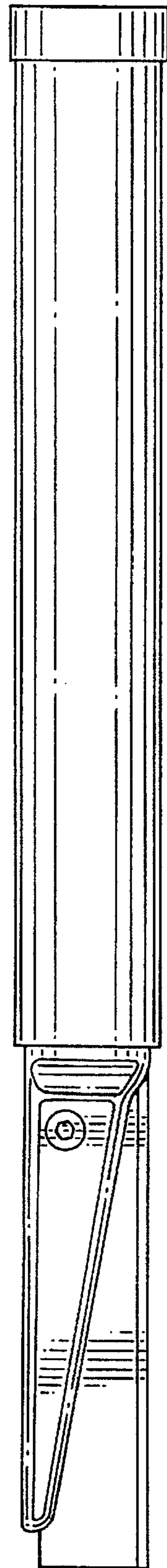


FIG. 6