



US00D379292S

United States Patent [19]

Schaffer et al.

[11] Patent Number: Des. 379,292

[45] Date of Patent: **May 20, 1997

[54] FOLDABLE SAW

[75] Inventors: **Scott Schaffer**, Haysville; **Anthony F. Beugelsdyk**, Wichita, both of Kans.

[73] Assignee: **Wescon Products Company**, Wichita, Kans.

[**] Term: **14 Years**

[21] Appl. No.: **52,773**

[22] Filed: **Apr. 5, 1996**

[51] LOC (6) Cl. **08-03**

[52] U.S. Cl. **D8/96**

[58] Field of Search D8/96, 97, 98,
D8/99, 107; 30/506, 507, 512, 508, 509,
510, 511, 156

[56] References Cited

U.S. PATENT DOCUMENTS

D. 151,725	11/1948	Whitman et al.	D8/96
D. 163,129	5/1951	Lussier	D8/96
3,149,652	9/1964	Swenson	30/512
3,339,602	9/1967	Wilson	30/512
3,724,519	4/1973	McCord, Jr.	30/512
3,905,409	9/1975	Bradley	30/512
4,361,177	11/1982	Miller	30/512
4,580,344	4/1986	Jinghage et al.	30/512
4,637,141	1/1987	Allen	30/512
5,440,816	8/1995	Dustrude	30/512

Primary Examiner—Philip S. Hyder
Attorney, Agent, or Firm—Hovey, Williams, Timmons & Collins

[57] CLAIM

The ornamental design for a foldable saw, as shown and described.

DESCRIPTION

FIG. 1 is a front elevational view of the foldable saw shown in the folded, storage position;

FIG. 2 is a rear elevational view of the foldable saw in the folded, storage position;

FIG. 3 is a top plan of the foldable saw in the folded, storage position;

FIG. 4 is a bottom plan of the foldable saw shown in the folded, storage position;

FIG. 5 is a right side elevational view of the foldable saw shown in the folded, storage position;

FIG. 6 is a left side elevational view of the foldable saw shown in the folded, storage position;

FIG. 7 is a front elevational view of the foldable saw shown in the unfolded, use position;

FIG. 8 is a rear elevational view of the foldable saw shown in the unfolded, use position;

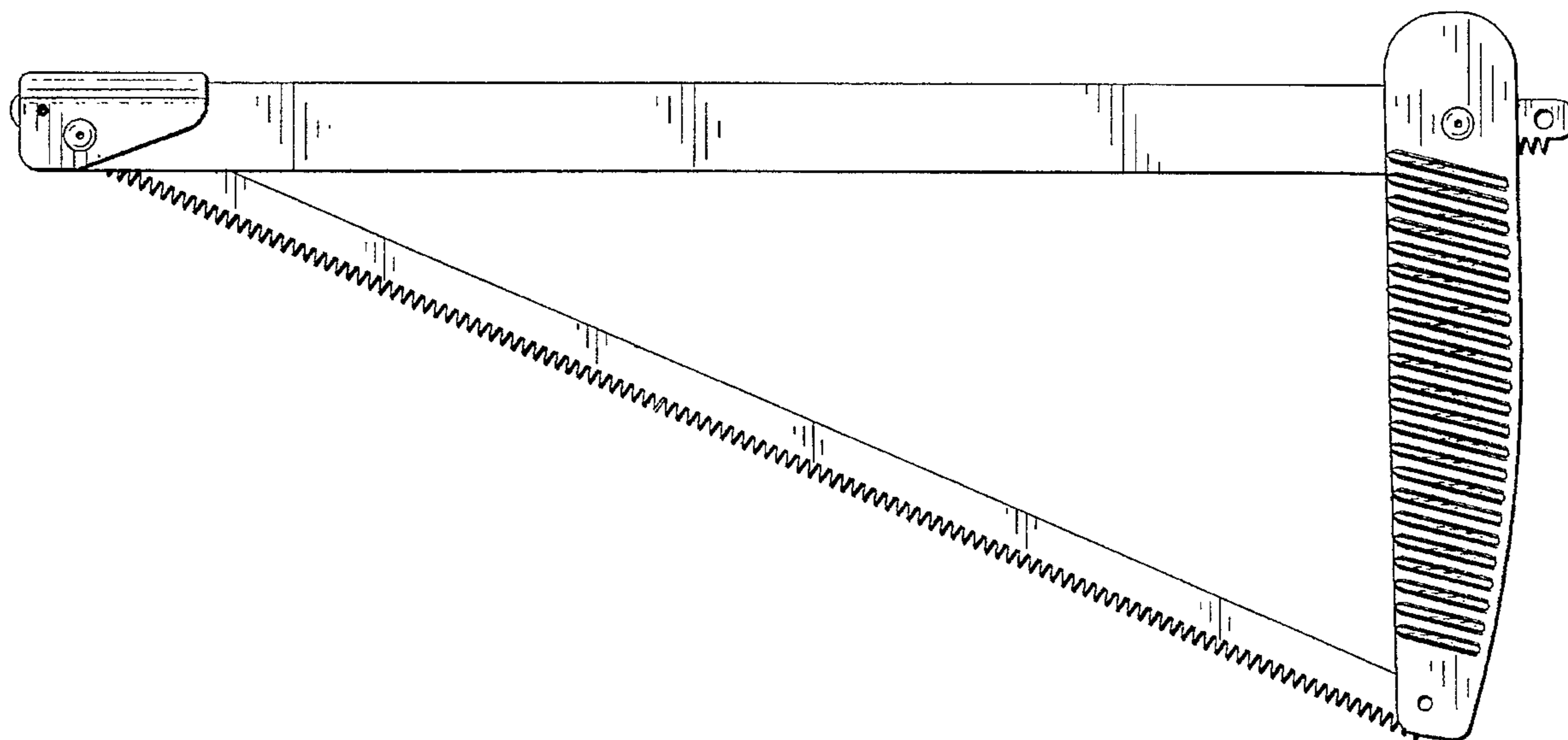
FIG. 9 is a top plan view of the foldable saw shown in the unfolded, use position;

FIG. 10 is a bottom plan view of the foldable saw shown in the unfolded, use position;

FIG. 11 is a right side elevational view of the foldable saw shown in the unfolded, use position; and,

FIG. 12 is a left side elevational view of the foldable saw shown in the unfolded, use position.

1 Claim, 3 Drawing Sheets



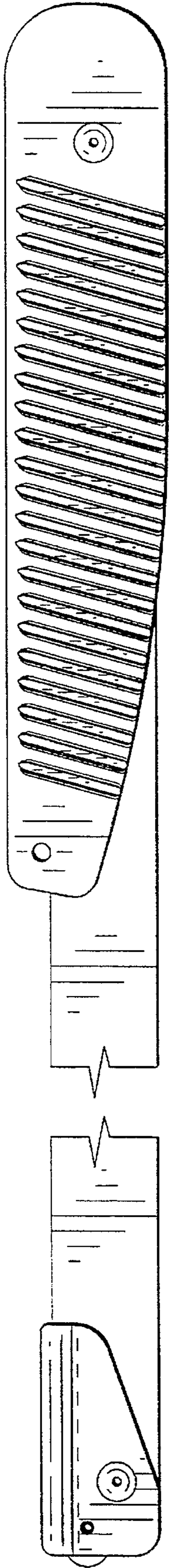


Fig. 1.

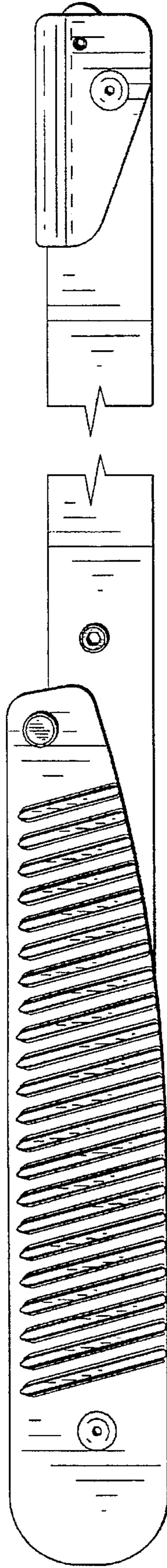


Fig. 2.

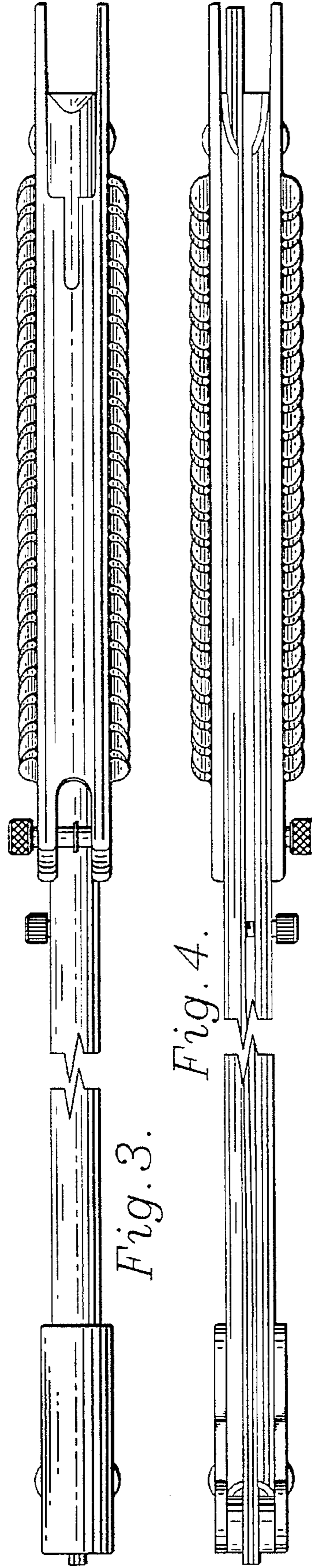


Fig. 3.

Fig. 4.



Fig. 5.

Fig. 6.

Fig. 9.

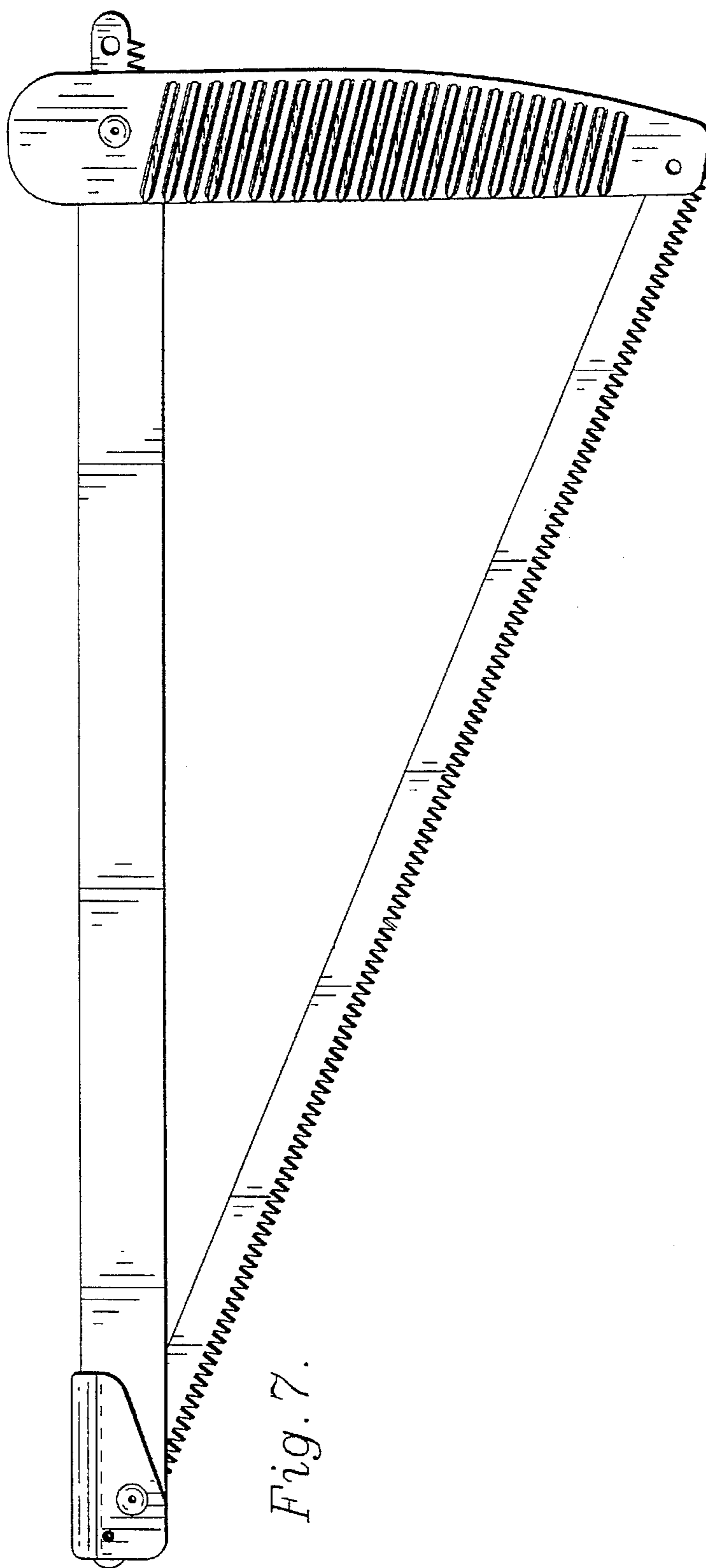
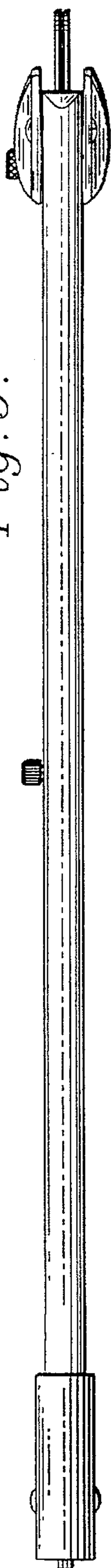


Fig. 7.

Fig 10.



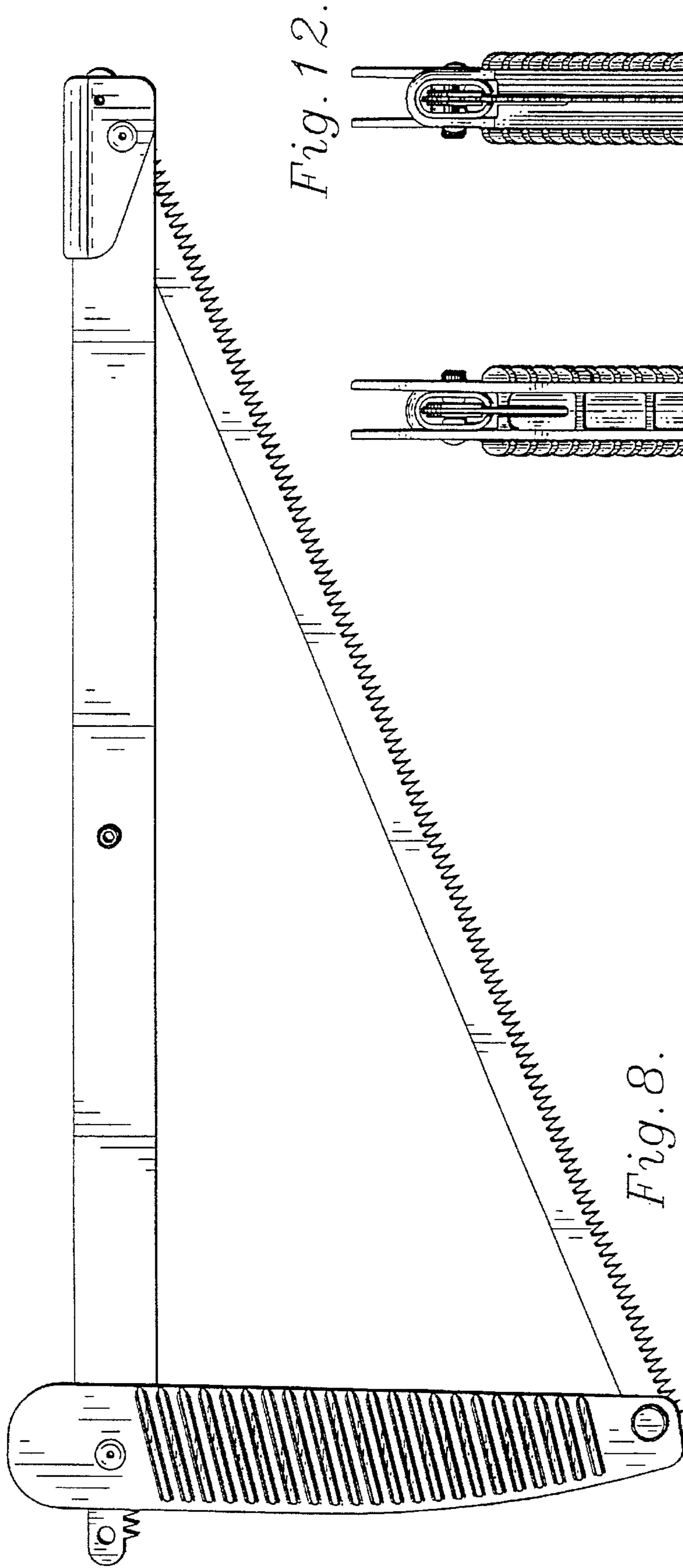


Fig. 8.

Fig. 12.

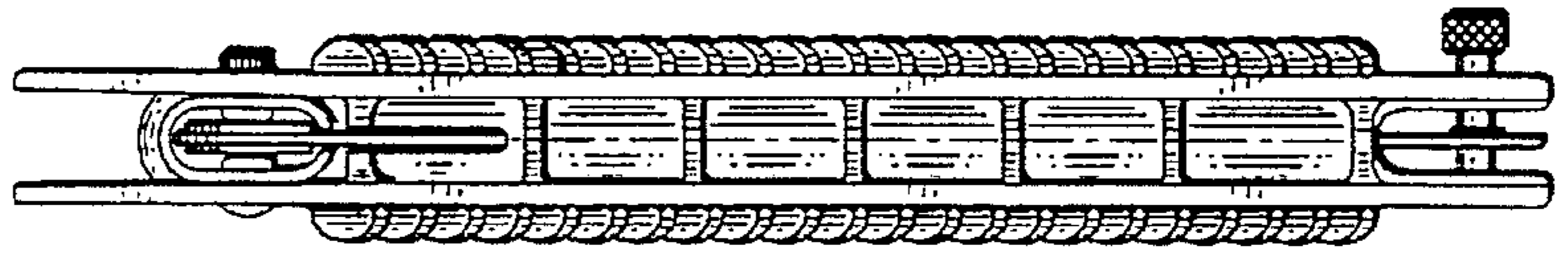
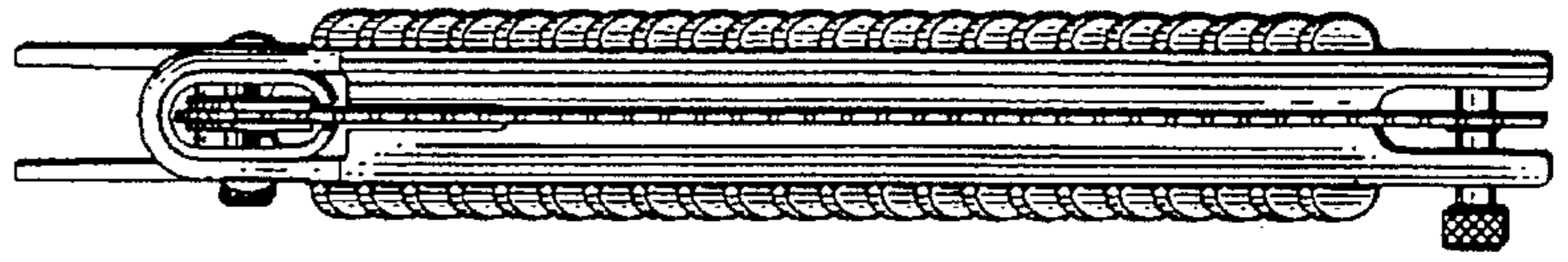


Fig. 11.