



US00D379291S

# United States Patent [19]

[11] Patent Number: **Des. 379,291**

Bunyea et al.

[45] Date of Patent: **\*\*May 20, 1997**

## [54] RECIPROCATING SAW

[75] Inventors: **Roderick F. Bunyea**, Westminster;  
**Robert L. Somers**, Reisterstown;  
**Donald W. Vetter**, Baltimore, all of Md.

[73] Assignee: **Black & Decker Inc.**, Newark, Del.

[\*\*] Term: **14 Years**

[21] Appl. No.: **42,568**

[22] Filed: **Aug. 11, 1995**

[51] LOC (6) Cl. .... **08-03**

[52] U.S. Cl. .... **D8/64**

[58] Field of Search ..... D8/61, 62, 64,  
D8/68; D7/139, 646; 30/166.3, 273, 274,  
275, 374, 382, 392, DIG. 1; 81/57.11, 57.13,  
57.14

## [56] References Cited

### U.S. PATENT DOCUMENTS

D. 214,987	8/1969	Ballone et al. ....	D8/64
D. 277,451	2/1985	Barnik .....	D8/64
D. 302,785	8/1989	Cunningham .....	D8/64
D. 303,346	9/1989	Ogawa .....	D8/61
D. 308,469	6/1990	Fushiya et al. ....	D8/64
D. 310,008	8/1990	Reifersheid et al. ....	D8/64
D. 334,522	4/1993	Ogawa et al. ....	D8/64
3,360,021	12/1967	Mejia .....	D8/64 X

*Primary Examiner*—James M. Gandy  
*Assistant Examiner*—Robert M. Spear  
*Attorney, Agent, or Firm*—Bruce S. Shapiro; Dennis A. Dearing; Charles E. Yocum

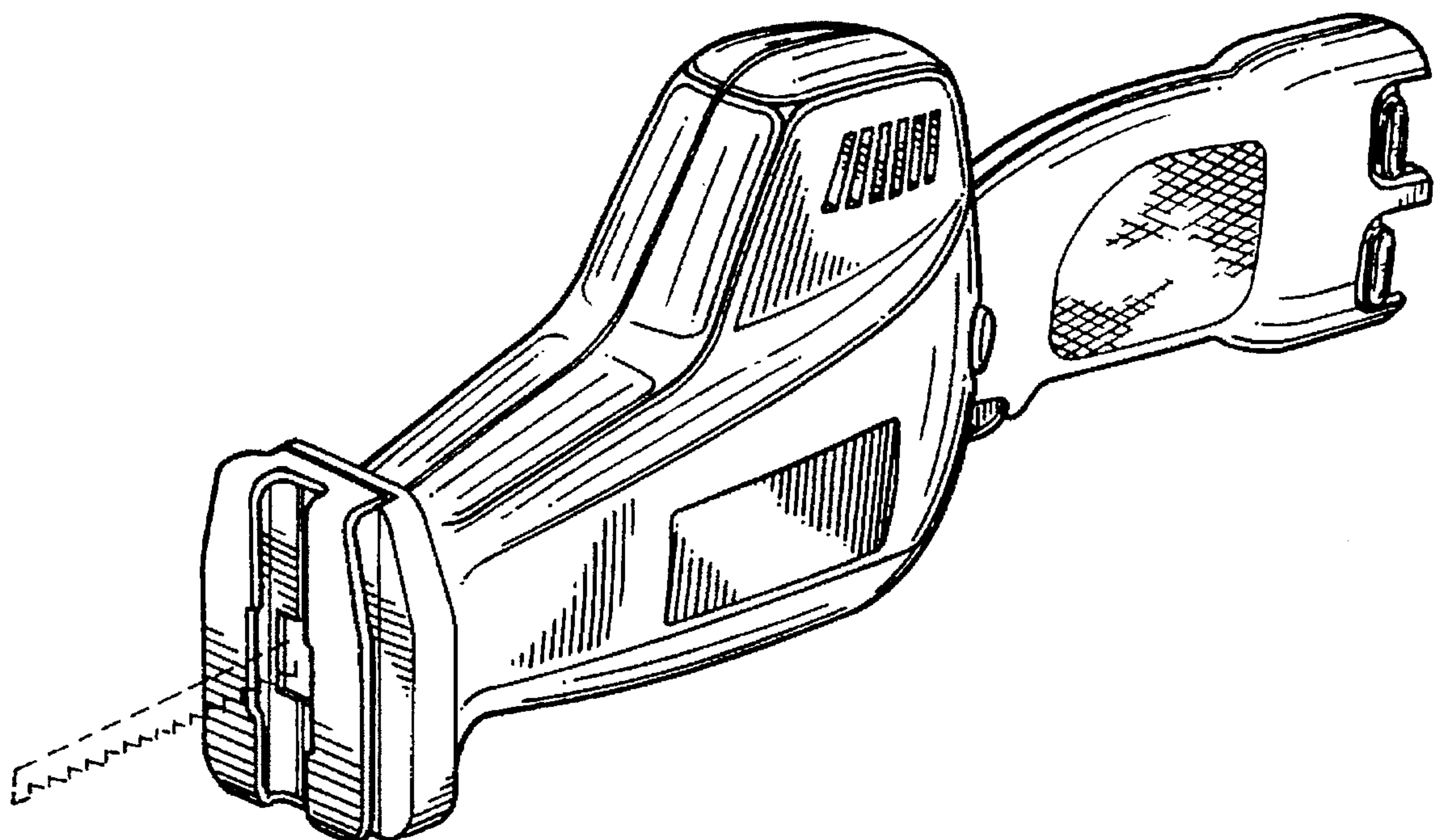
## [57] CLAIM

The ornamental design for a reciprocating saw, as shown and described.

## DESCRIPTION

FIG. 1 is a front top left perspective view of a reciprocating saw showing our new design;  
FIG. 2 is a left side elevational view thereof;  
FIG. 3 is a right side elevational view thereof;  
FIG. 4 is a front elevational view thereof;  
FIG. 5 is a rear elevational view thereof;  
FIG. 6 is a top plan view thereof;  
FIG. 7 is a bottom plan view thereof;  
FIG. 8 is a front top left perspective view of a second embodiment of a reciprocating saw according to our new design including batteries;  
FIG. 9 is a left side elevational view of the saw shown in FIG. 8;  
FIG. 10 is a right side elevational view of the saw shown in FIG. 8;  
FIG. 11 is a front elevational view of the saw shown in FIG. 8;  
FIG. 12 is a rear elevational view of the saw shown in FIG. 8;  
FIG. 13 is a top plan view of the saw shown in FIG. 8; and,  
FIG. 14 is a bottom plan view of the saw shown in FIG. 8.  
The handgrip mesh pattern is continuous throughout the area shown. The broken line showing of a saw blade is for illustrative purposes only and forms no part of the claimed design.

1 Claim, 8 Drawing Sheets



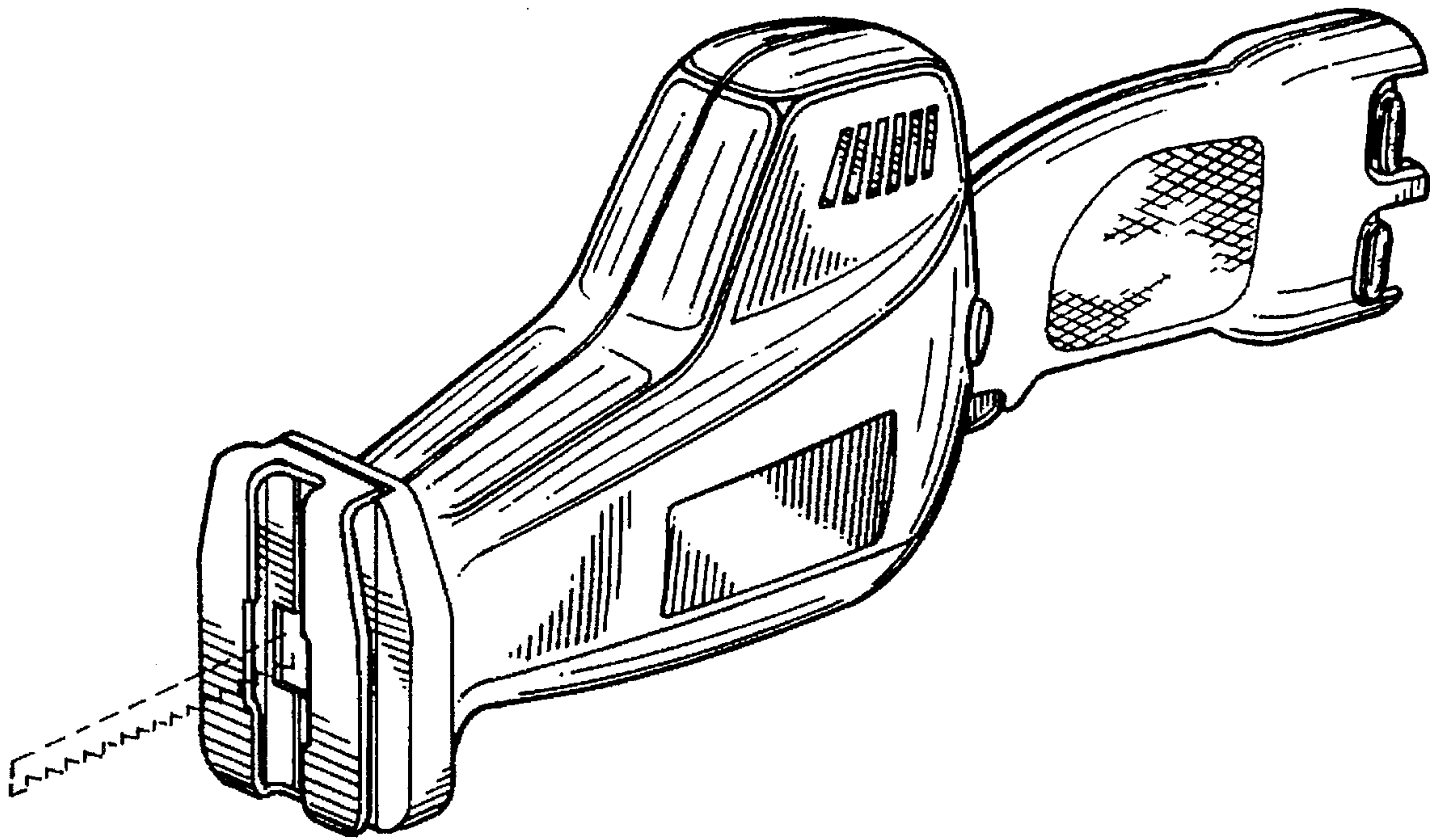


FIG. 1

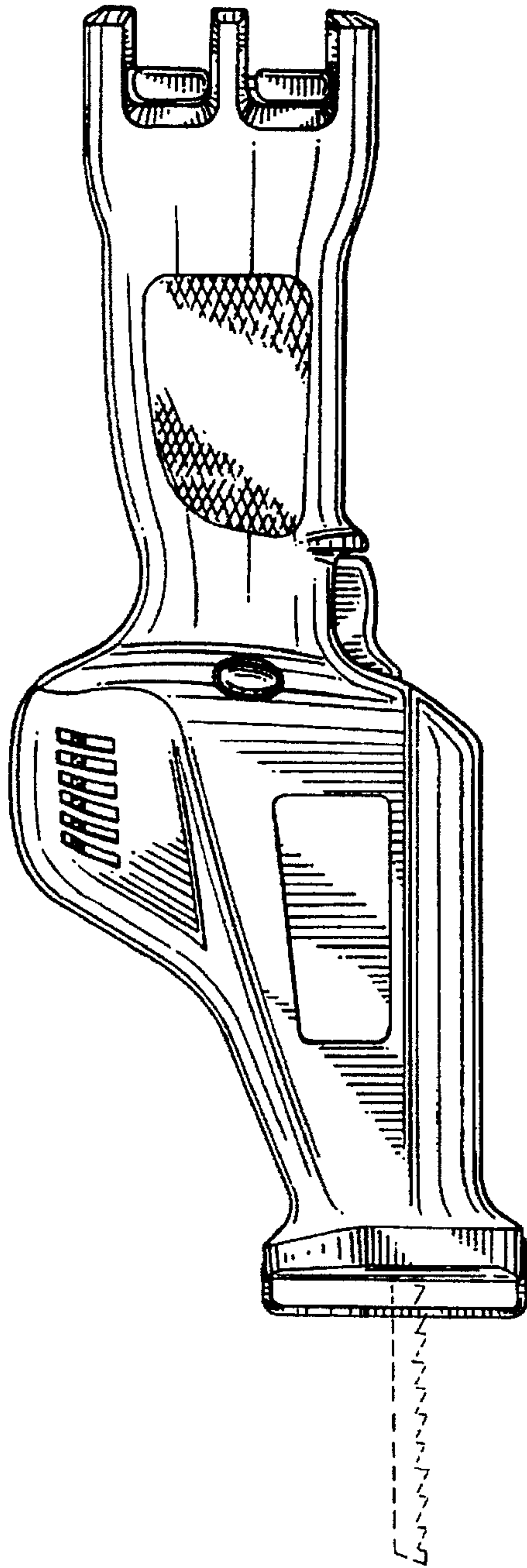


FIG. 2

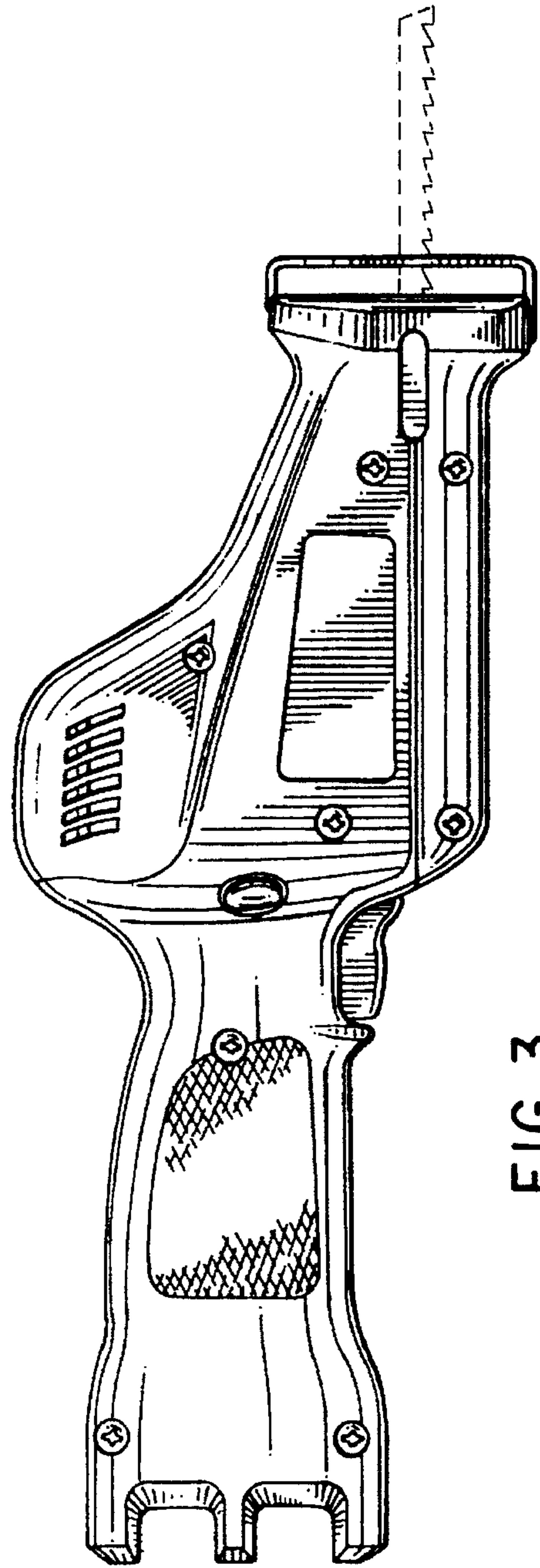


FIG. 3



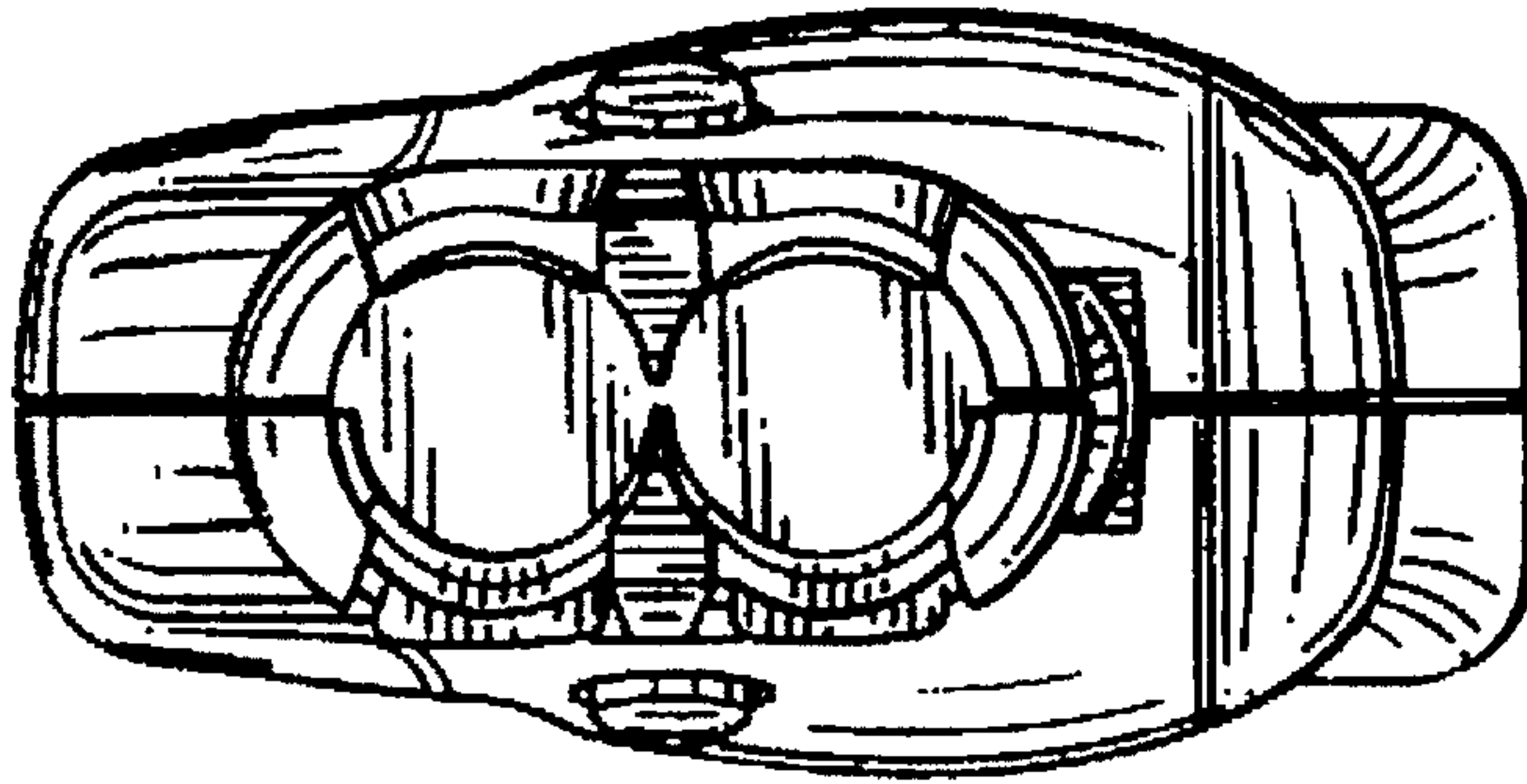


FIG. 5

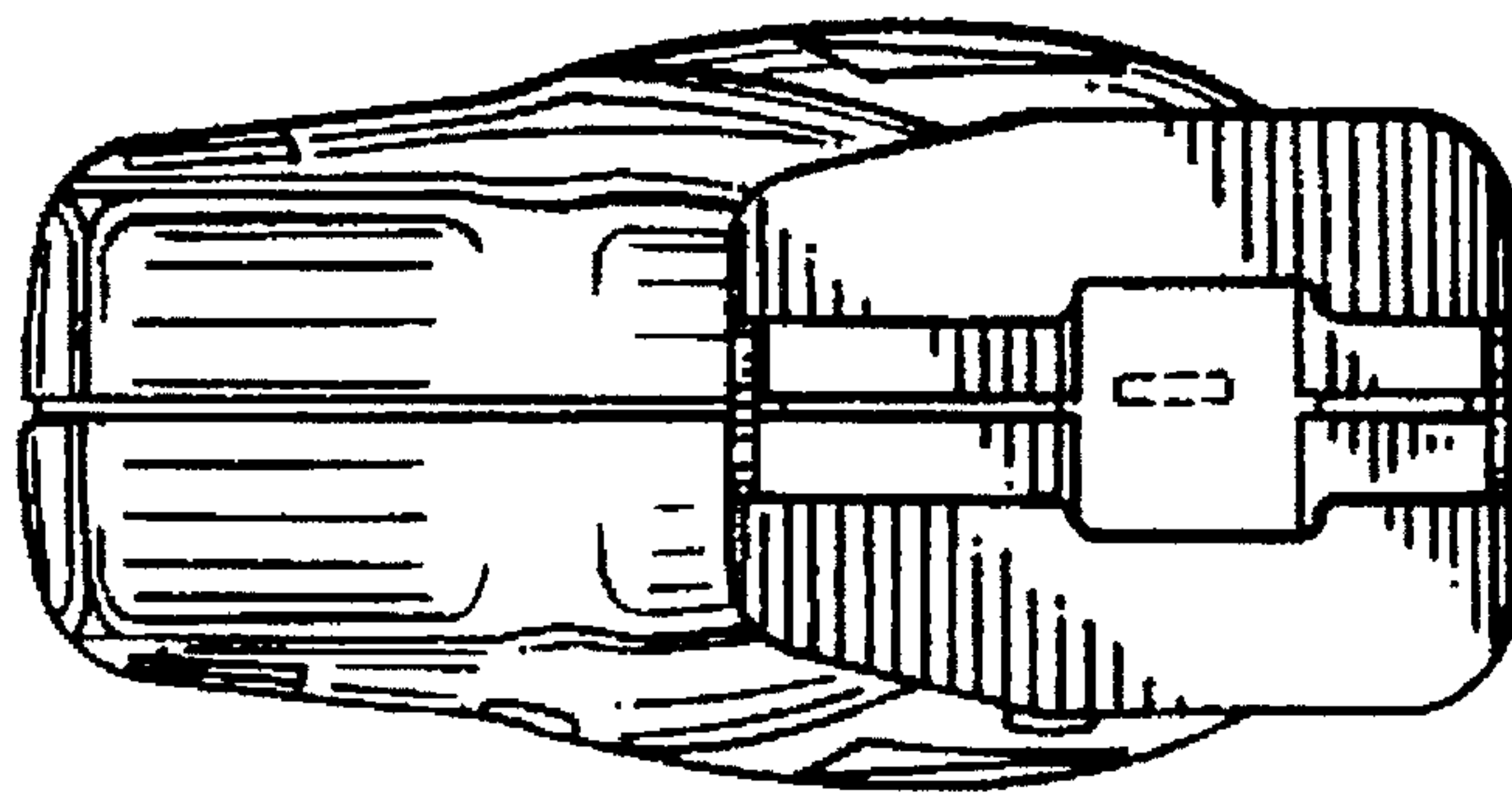


FIG. 4

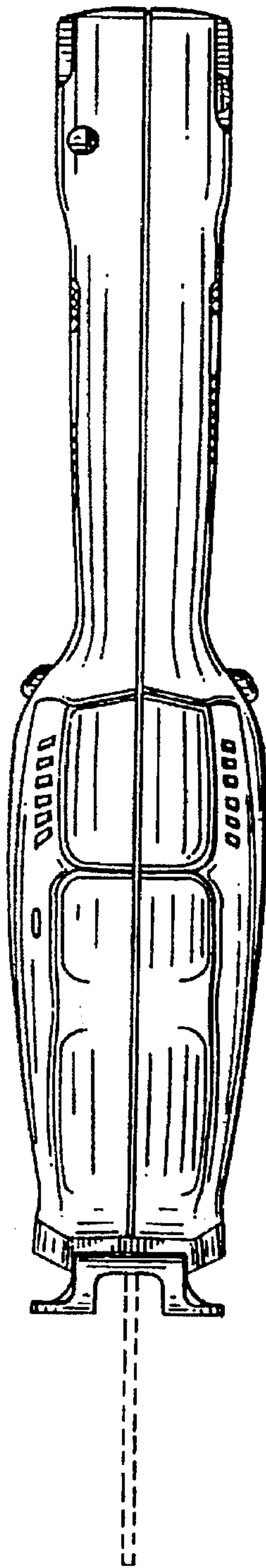


FIG. 6

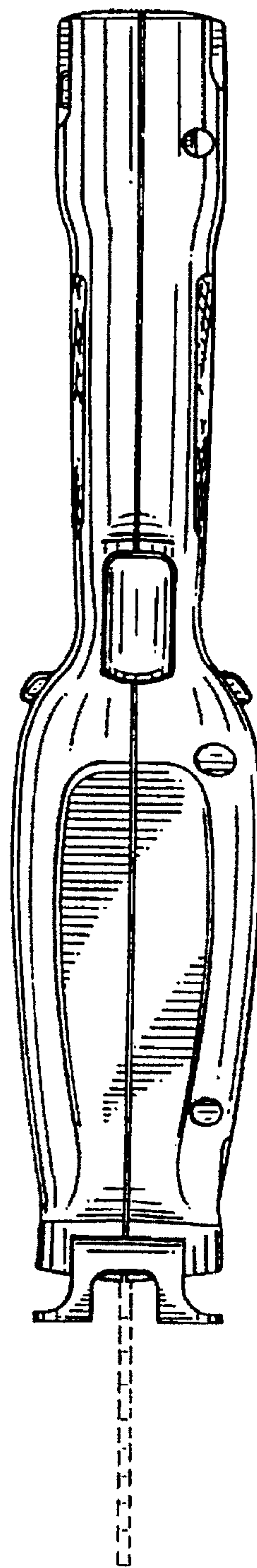


FIG. 7

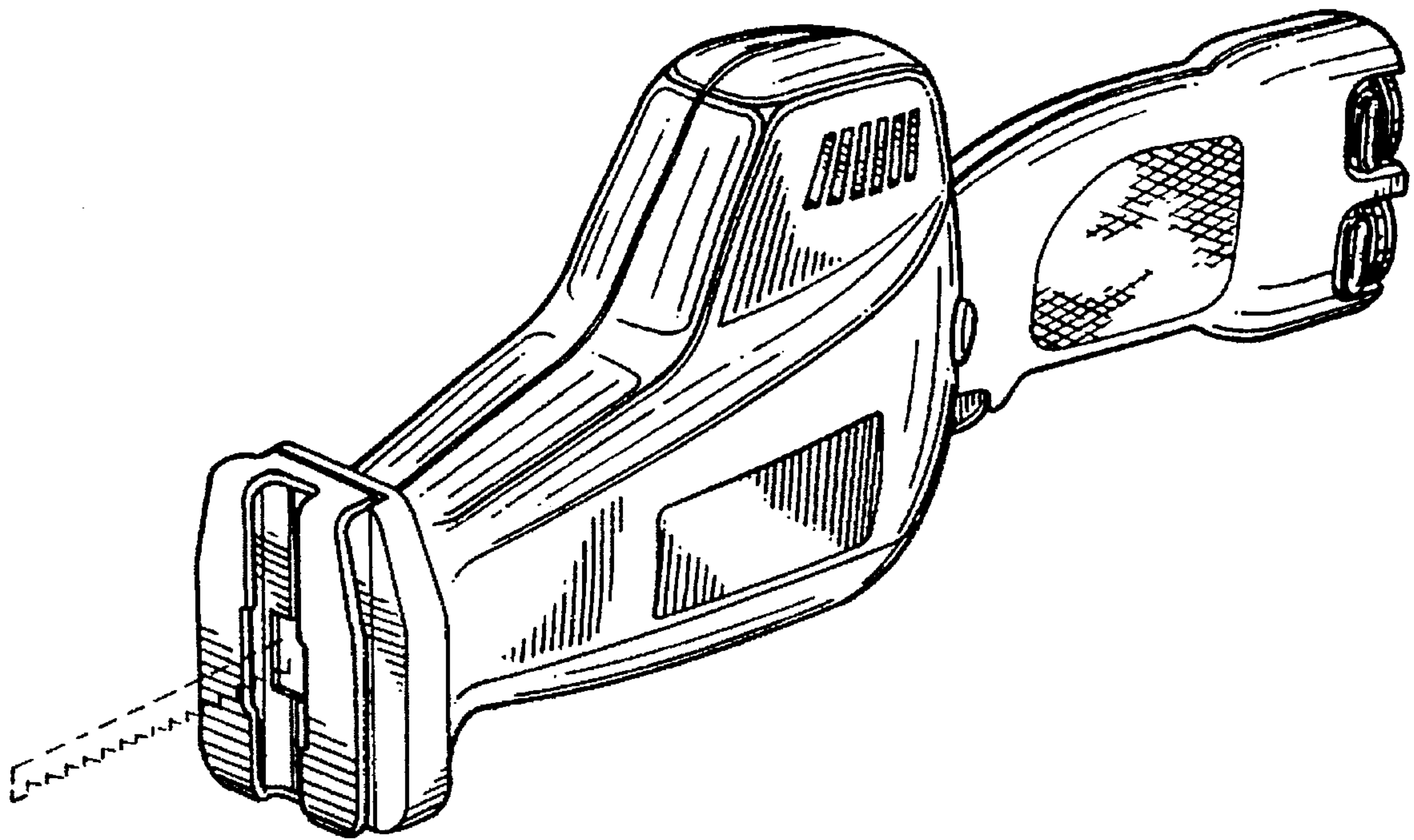


FIG. 8

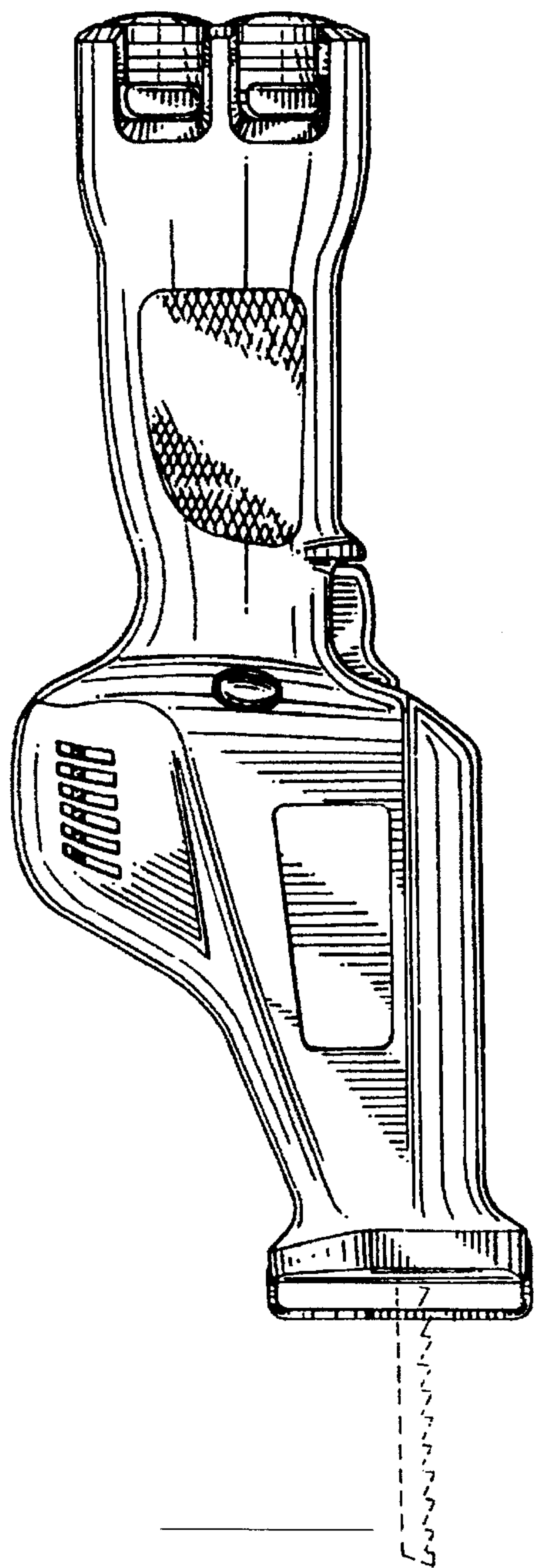


FIG. 9

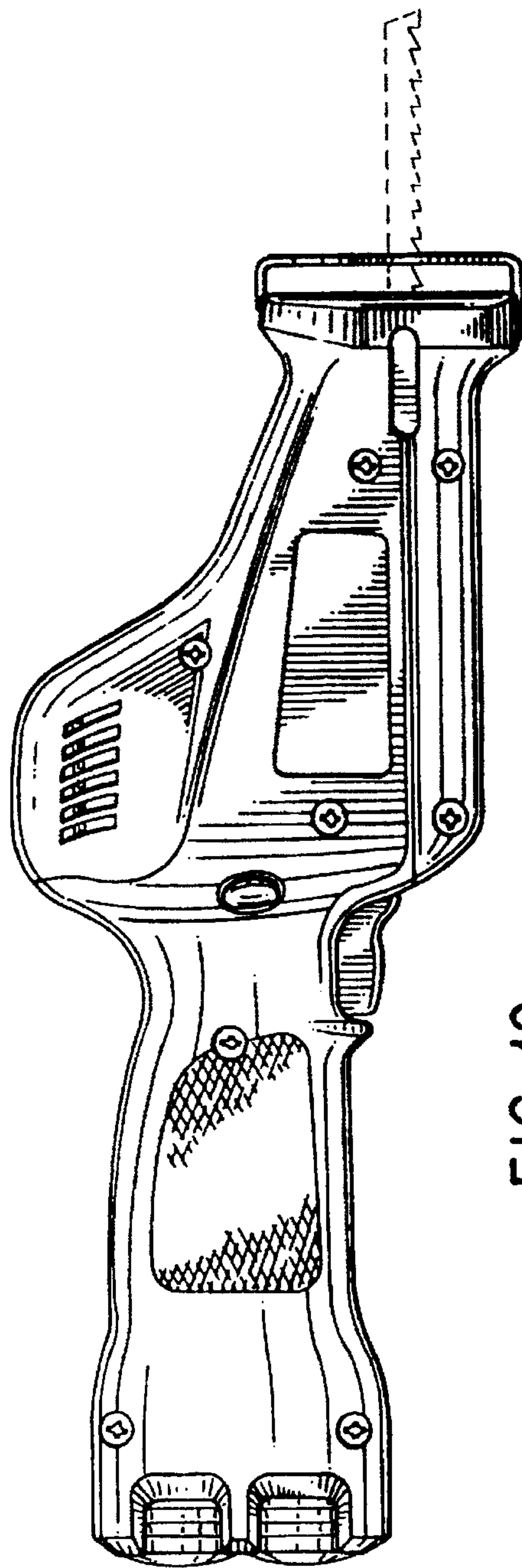


FIG. 10

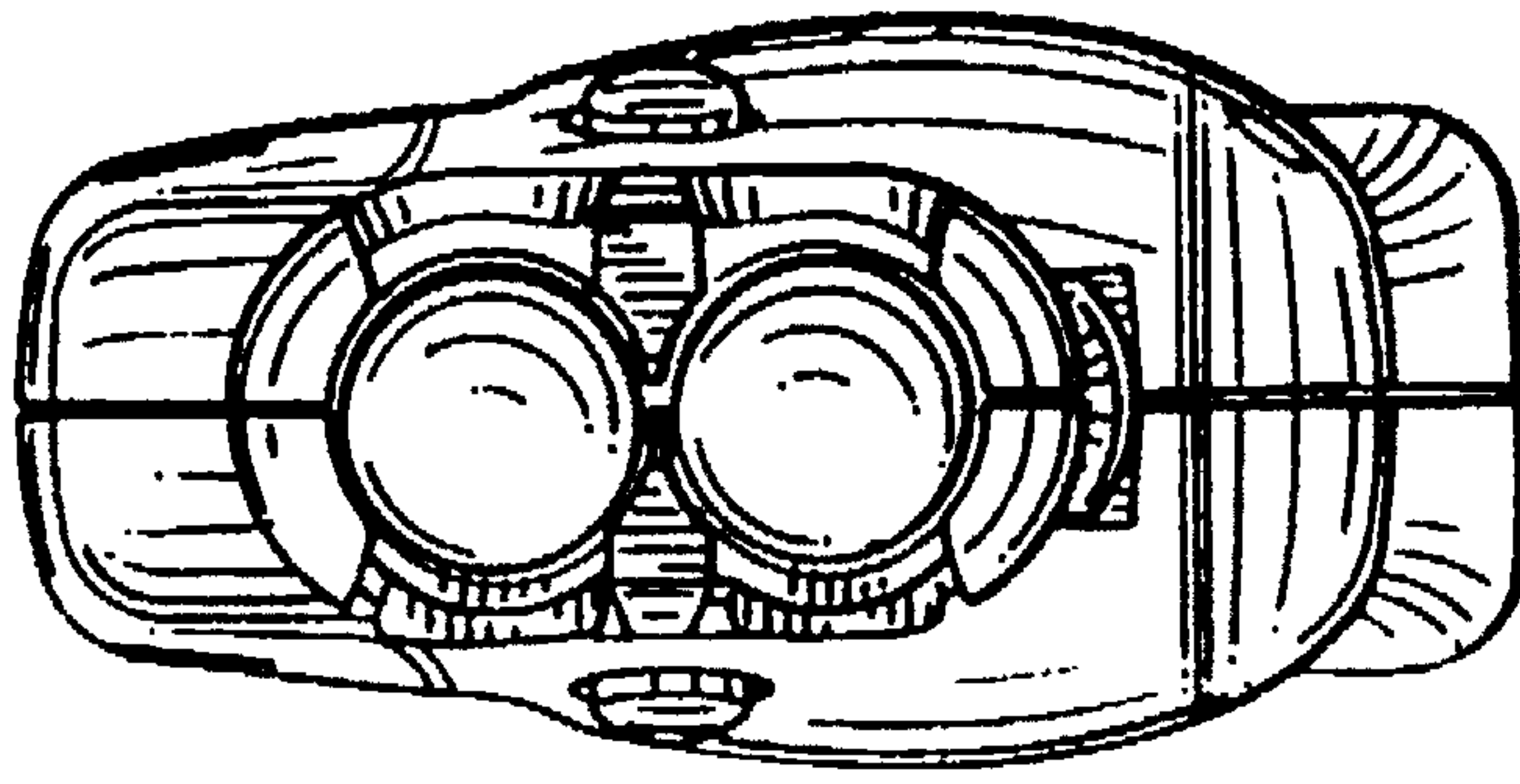


FIG. 12

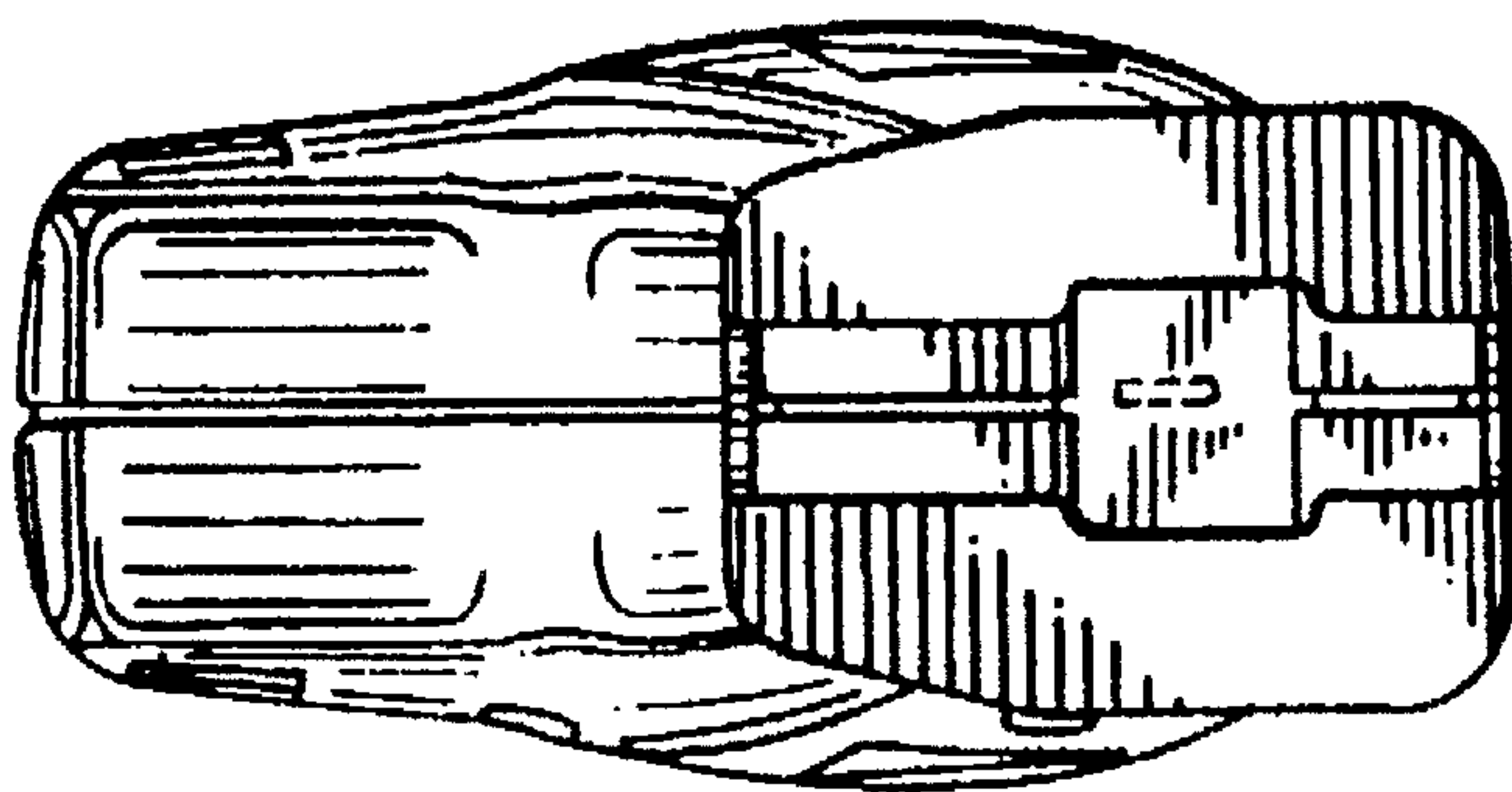


FIG. 11



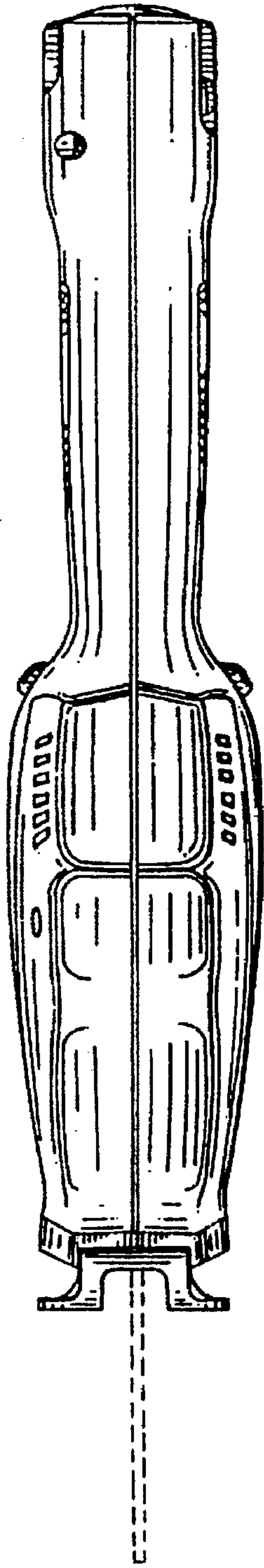


FIG. 13

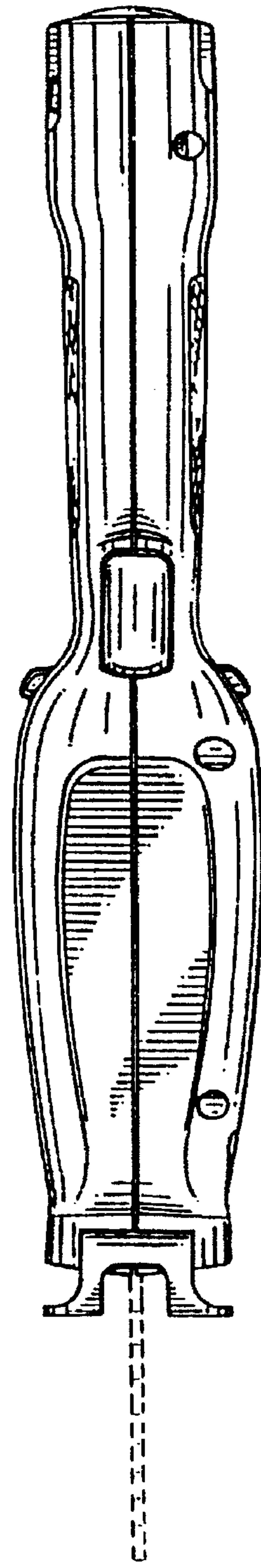


FIG. 14