



US00D379289S

United States Patent [19]
Jeppesen et al.

[11] **Patent Number:** **Des. 379,289**
[45] **Date of Patent:** ****May 20, 1997**

[54] **COLANDER WITH BASE**
[75] **Inventors:** **Hanne D. Jeppesen, Holte; Jakob Heiberg, Charlottenlund; Stig Lillelund, Gentofte, all of Denmark**

D. 339,506 9/1993 Feer .
D. 353,303 12/1994 Davis .
1,239,834 9/1917 Smith .
3,815,736 6/1974 Sedlak .
5,139,166 8/1992 Smith .

[73] **Assignee:** **Dart Industries Inc., Orlando, Fla.**
[**] **Term:** **14 Years**

Primary Examiner—Terry A. Wallace
Attorney, Agent, or Firm—John A. Doninger

[21] **Appl. No.:** **48,198**
[22] **Filed:** **Dec. 22, 1995**

[57] **CLAIM**
The ornamental design for a colander with base, as shown and described.

[51] **LOC (6) Cl.** **07-04**
[52] **U.S. Cl.** **D7/667**
[58] **Field of Search** **D7/667, 668, 400;**
210/464, 465, 469, 470, 472, 473, 474,
477, 497.01

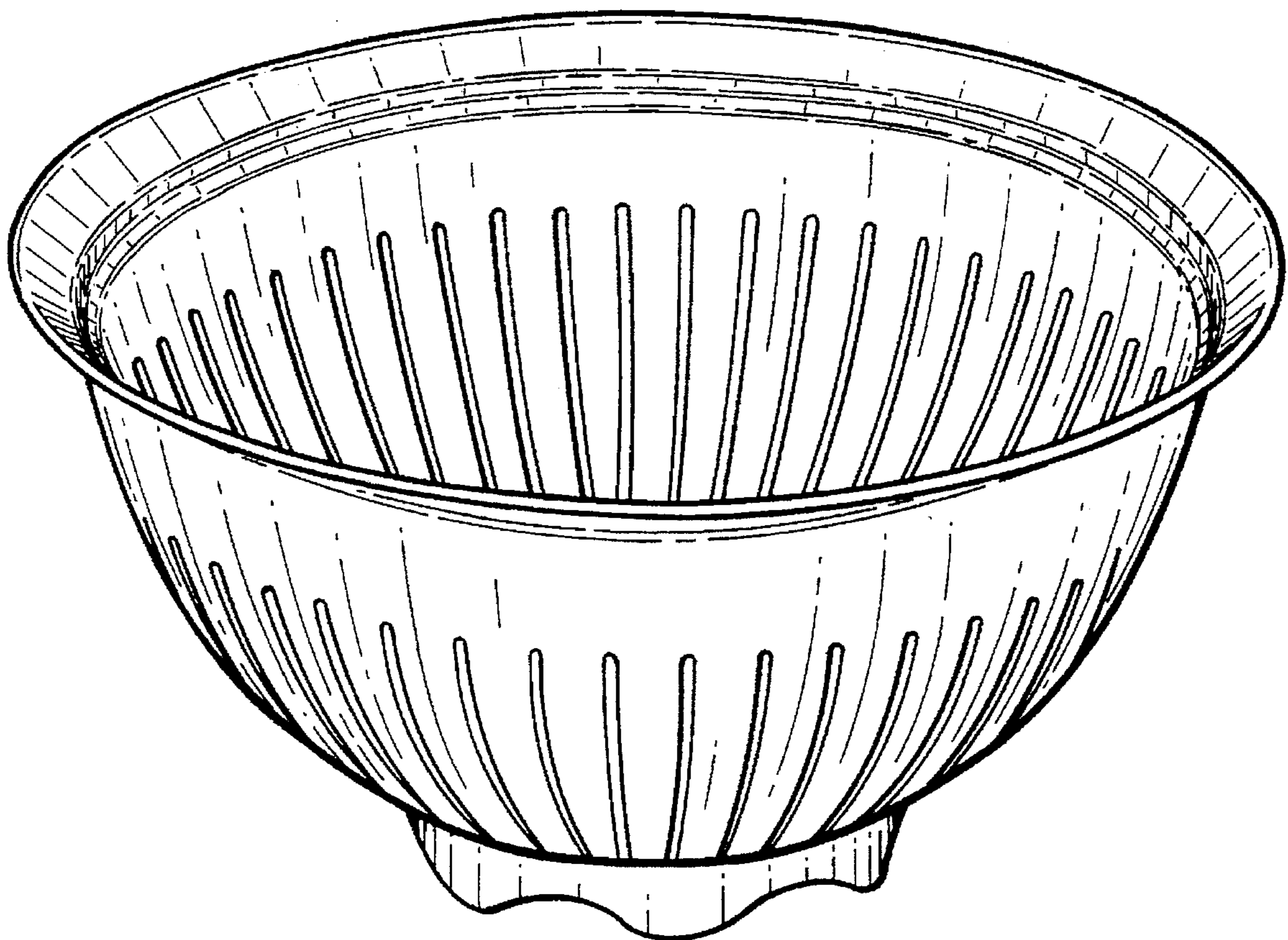
DESCRIPTION

FIG. 1 is a top and side perspective view of a colander with base showing our new design;
FIG. 2 is a top plan view thereof;
FIG. 3 is a bottom plan view thereof;
FIG. 4 is a side elevational view thereof;
FIG. 5 is a partially rotated side elevational view thereof;
FIG. 6 is a cross-section view thereof taken on line 6—6 in FIG. 2; and,
FIG. 7 is a cross-section view thereof taken on line 7—7 in FIG. 2.

[56] **References Cited**
U.S. PATENT DOCUMENTS

D. 182,479 4/1958 Roop .
D. 286,490 11/1986 Cavelson **D7/667**
D. 291,522 8/1987 Daenan et al. **D7/667**
D. 310,466 9/1990 Conti .
D. 337,187 7/1993 Hampshire .

1 Claim, 4 Drawing Sheets



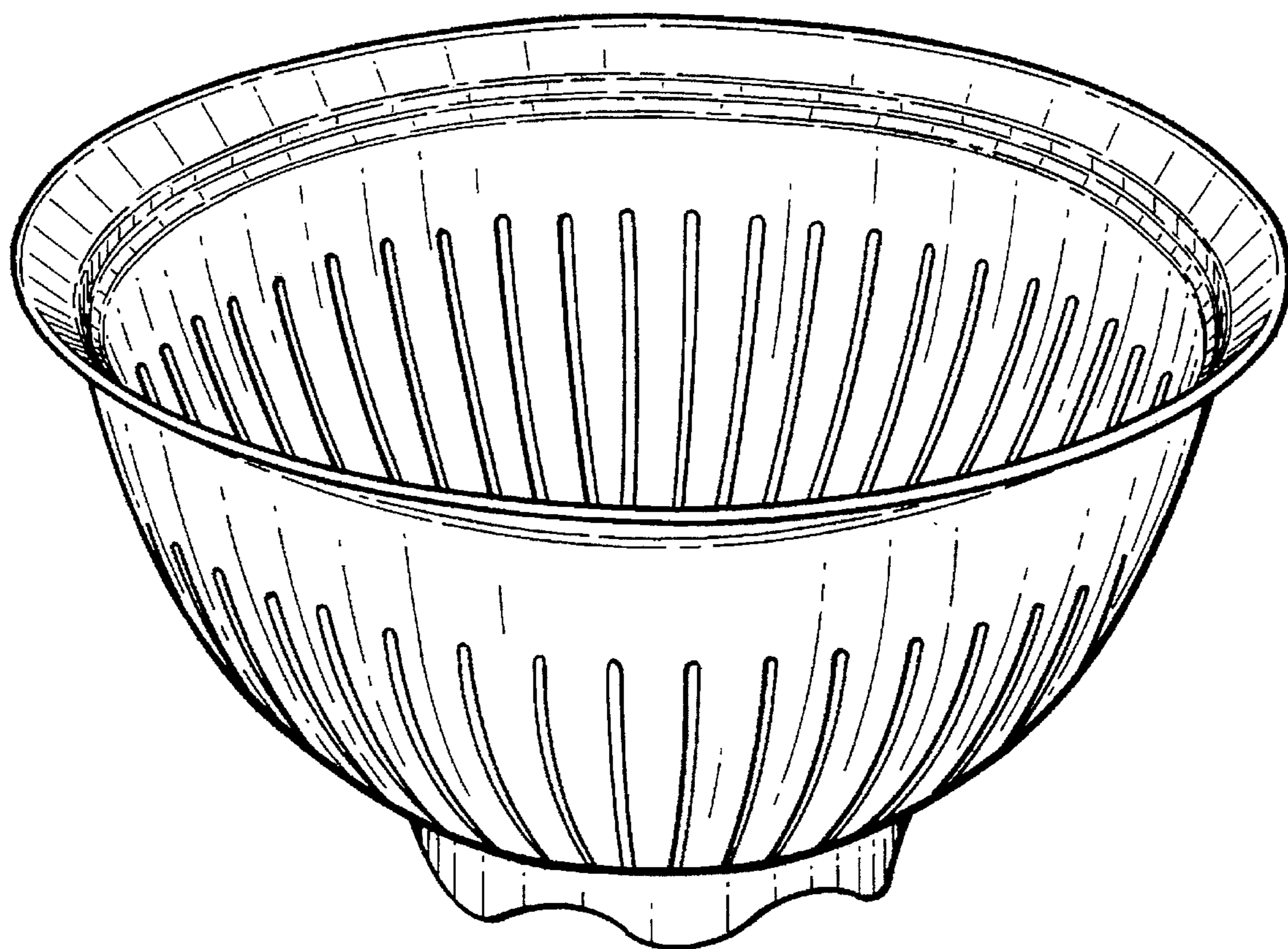
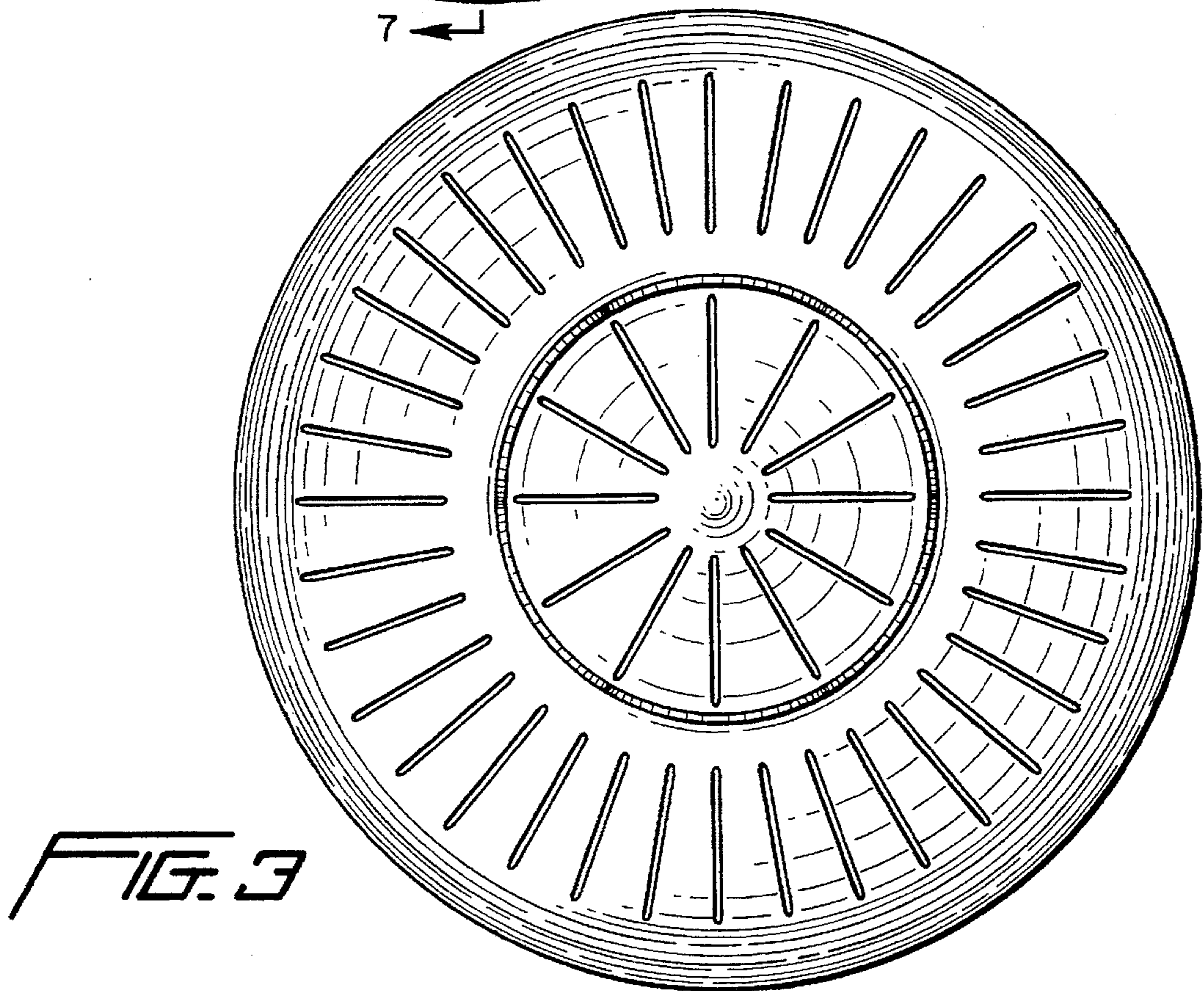
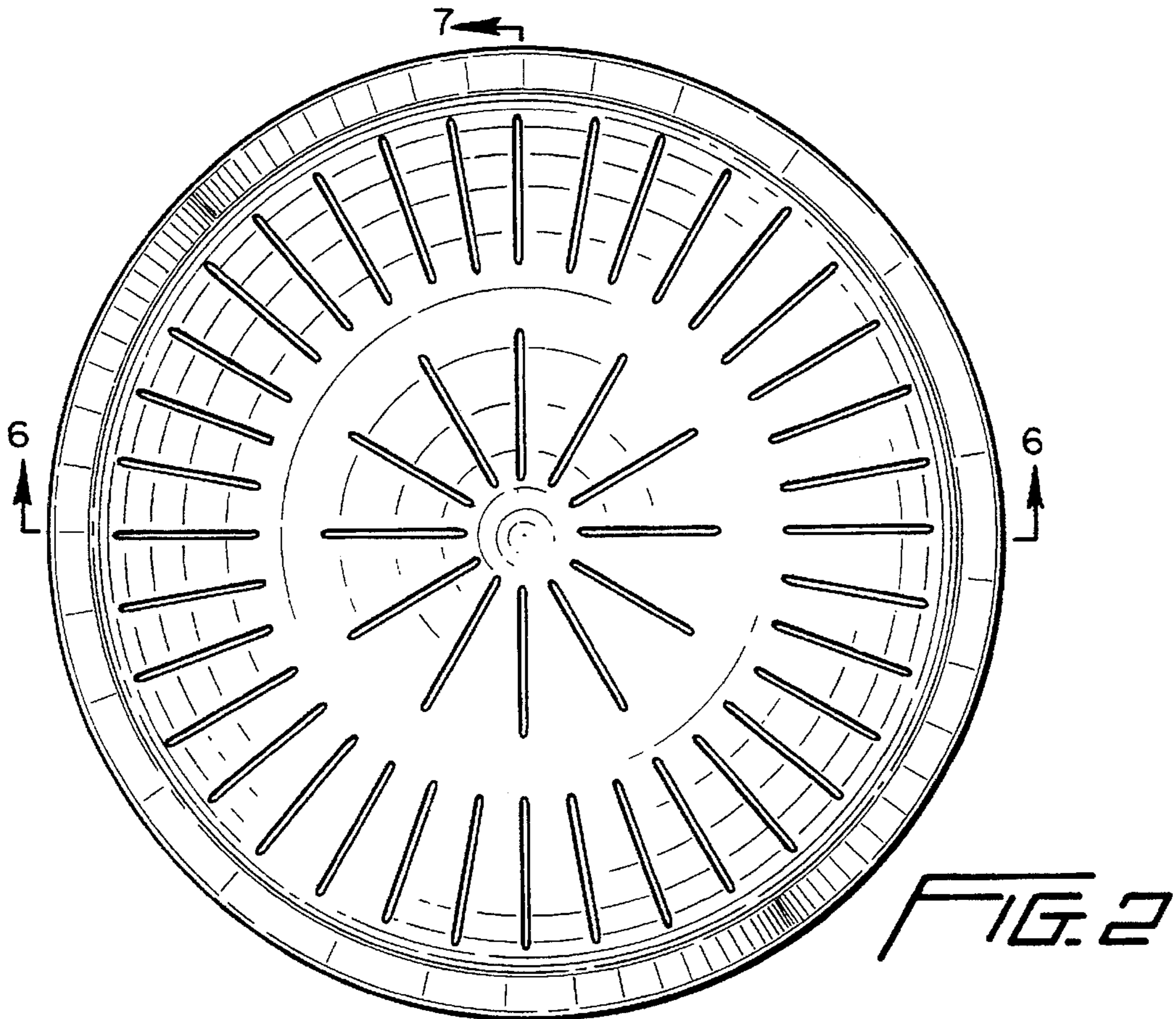


FIG. 1



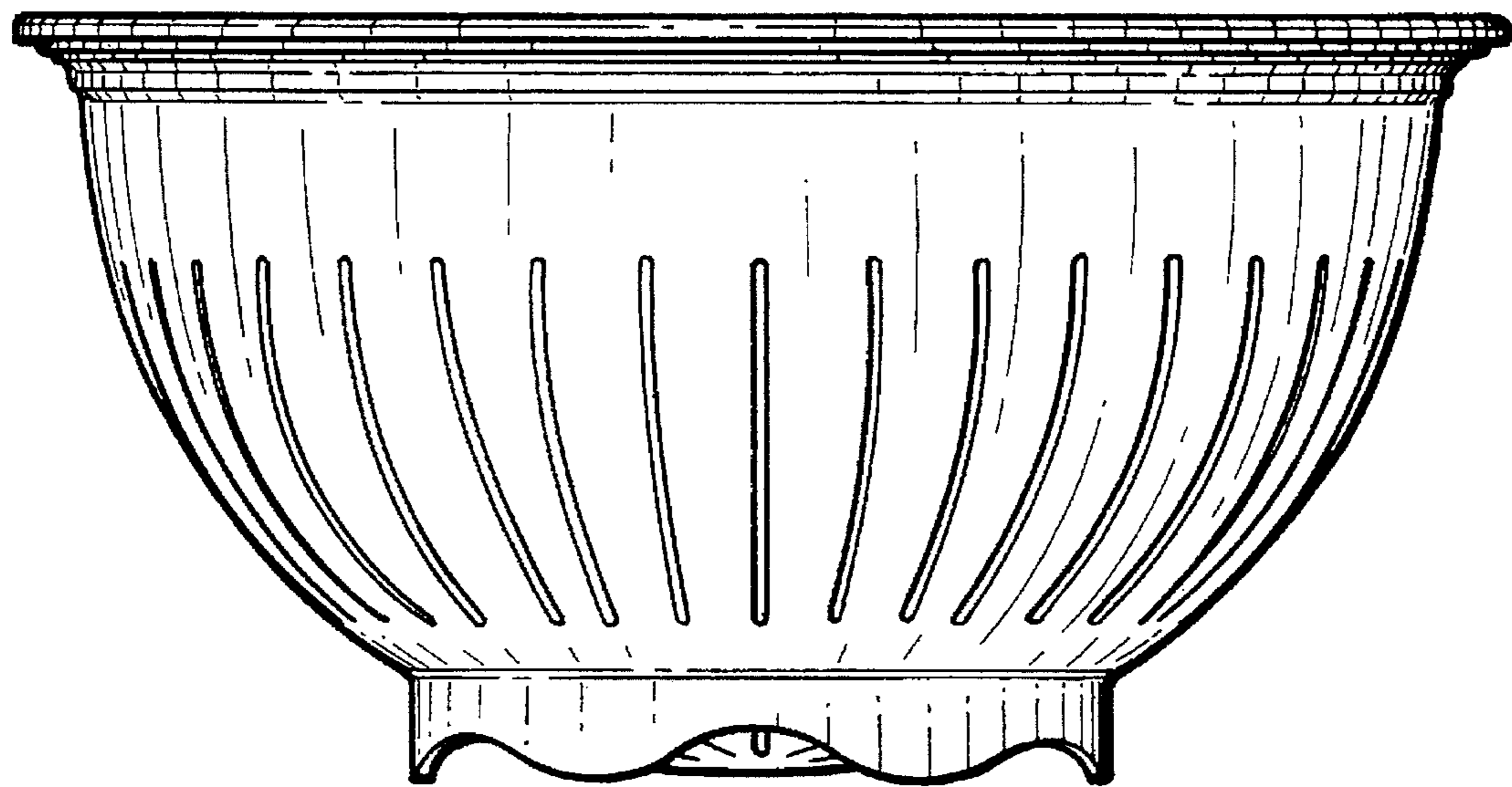


FIG. 4

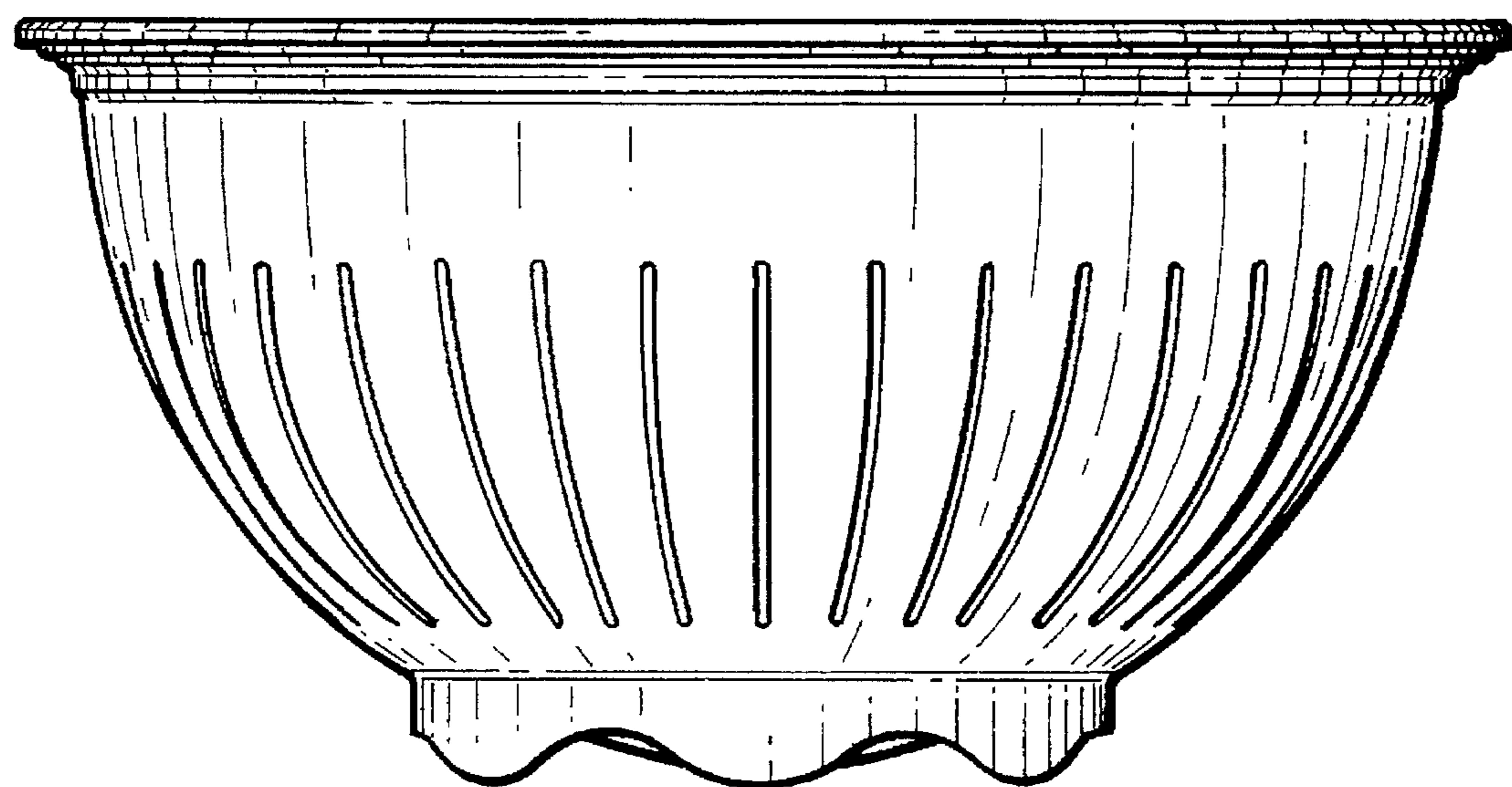


FIG. 5

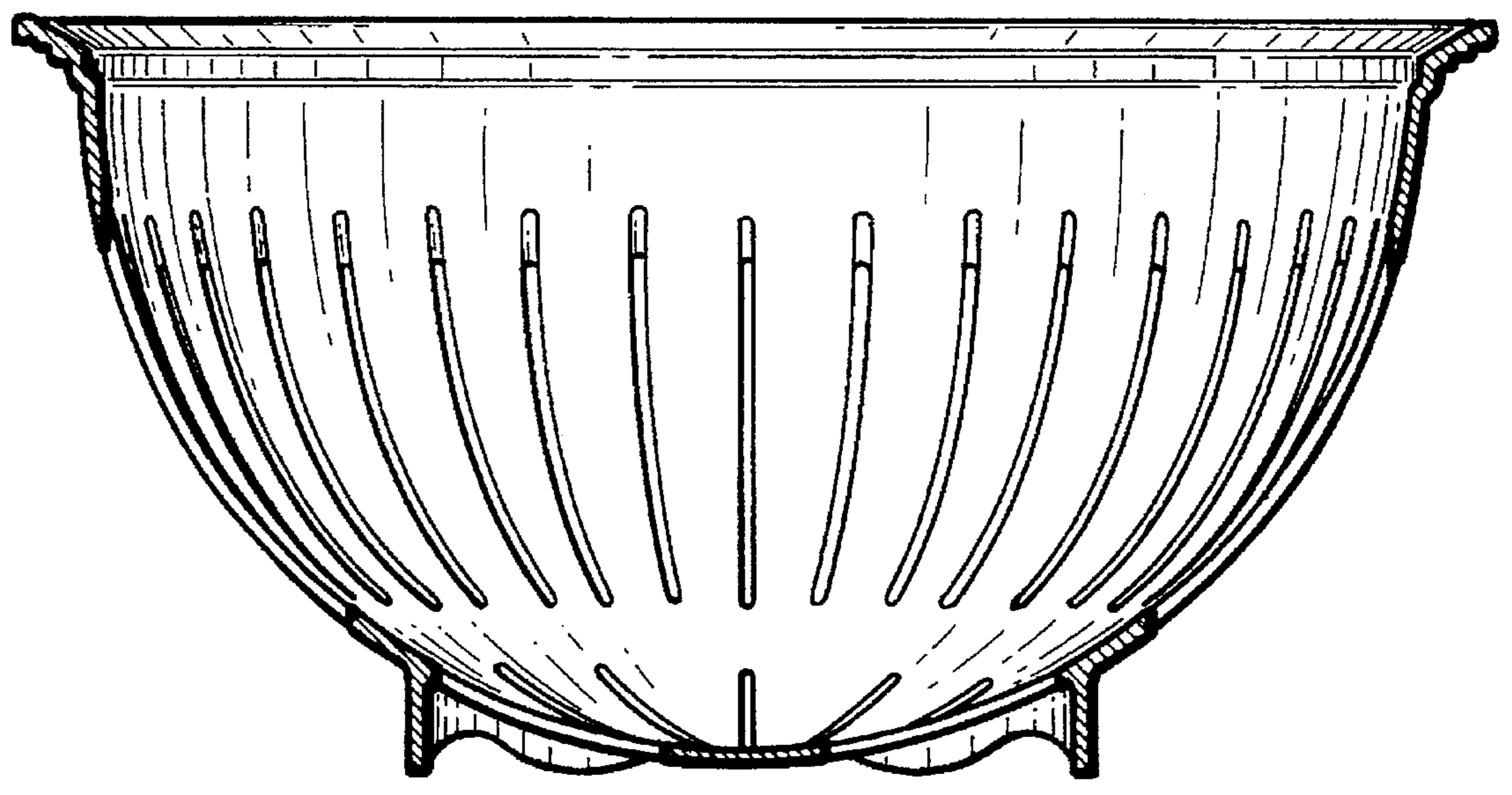


FIG. 6

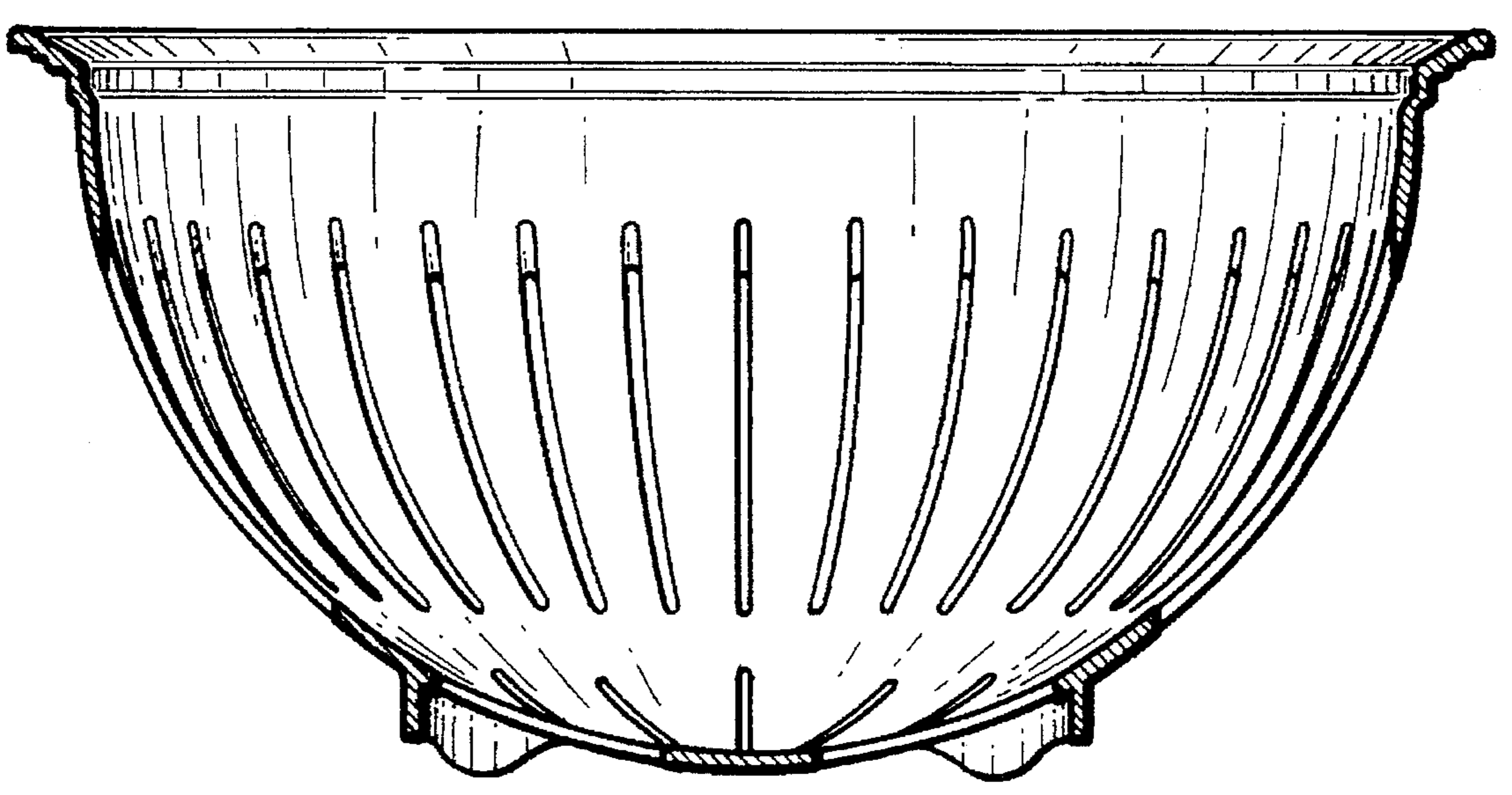


FIG. 7