



US00D379288S

# United States Patent [19]

[11] Patent Number: **Des. 379,288**

**Azar**

[45] Date of Patent: **\*\*May 20, 1997**

[54] **BEVERAGE CONTAINER HOLDER**

D. 255,635	7/1980	Valmassei	.....	D7/620
D. 303,057	8/1989	Smith	.....	D7/620
4,606,523	8/1986	Statz et al.	.....	248/311.2
4,767,092	8/1988	Weatherly	.....	248/311.2

[76] Inventor: **Tony Azar**, 1038 Lesperance Road,  
Tecumseh, Ontario, Canada, N8N 1W8

[\*\*] Term: **14 Years**

*Primary Examiner*—Terry A. Wallace  
*Attorney, Agent, or Firm*—Anthony J. Casella; Gerald E. Hespos

[21] Appl. No.: **51,080**

[22] Filed: **Mar. 4, 1996**

[57] **CLAIM**

[30] **Foreign Application Priority Data**

The ornamental design of a beverage container holder, as shown and described.

Sep. 7, 1995 [CA] Canada ..... 1995-1994

**DESCRIPTION**

[51] LOC (6) Cl. .... **07-06**

[52] U.S. Cl. .... **D7/620**

[58] Field of Search ..... D7/619, 620, 622;  
211/71, 74, 75; 220/737; 224/400, 409,  
482, 274; 248/311.2

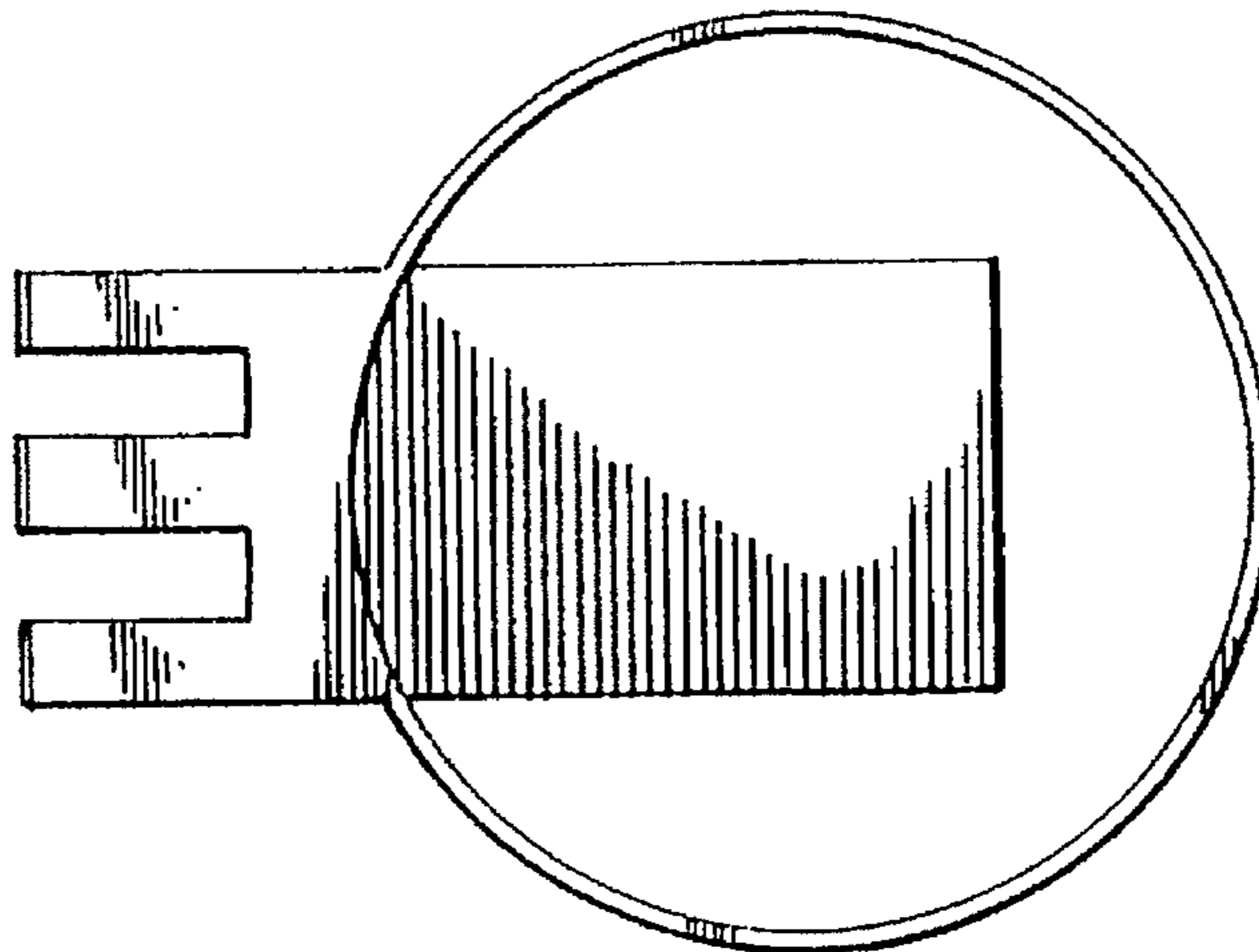
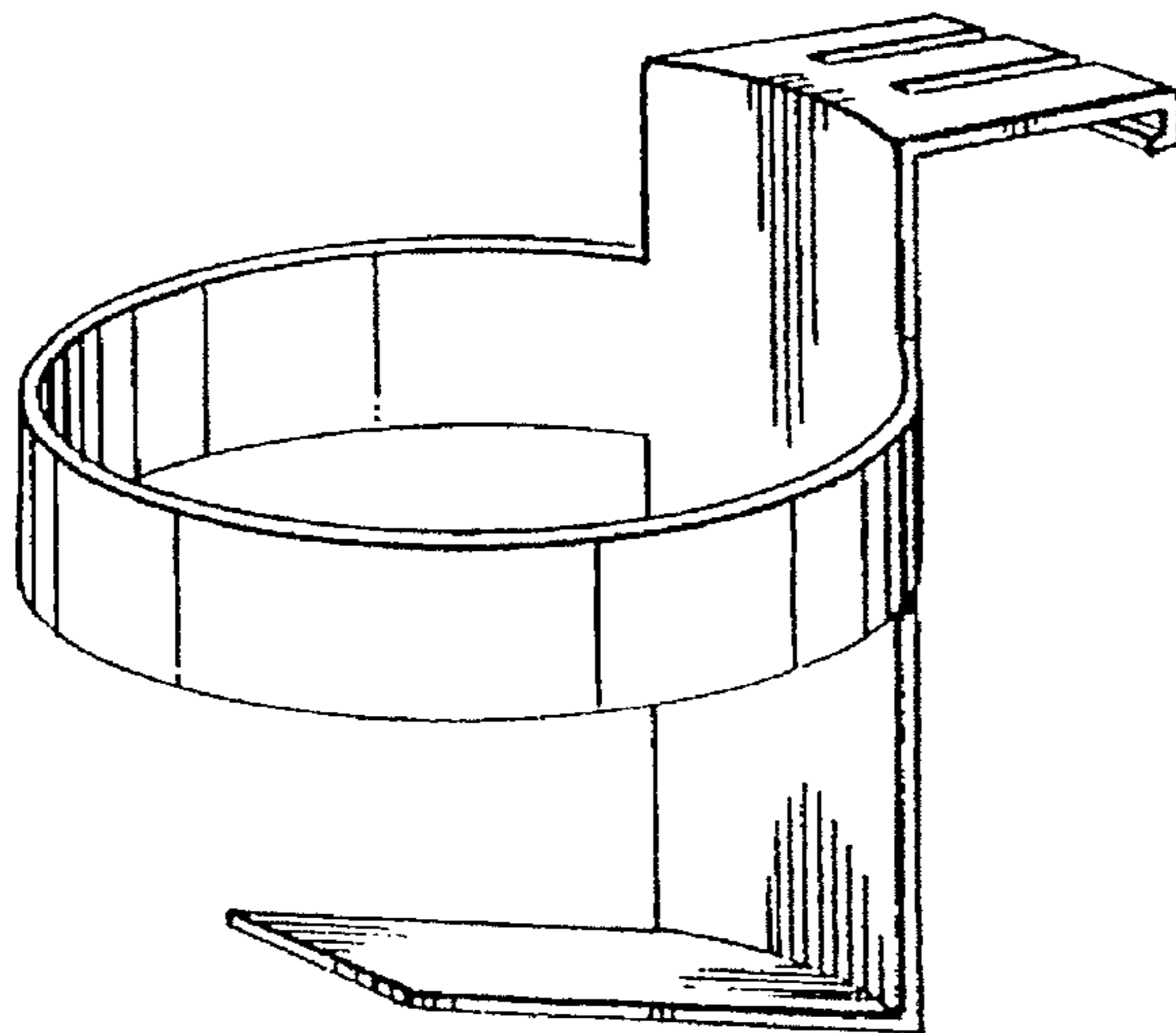
FIG. 1 is a front perspective view of a beverage container holder showing my new design;  
FIG. 2 is a side elevational view of my design as viewed from the left side in FIG. 1;  
FIG. 3 is a right side elevational view thereof;  
FIG. 4 is a top plan view thereof;  
FIG. 5 is a bottom plan view thereof;  
FIG. 6 is a front elevational view thereof; and,  
FIG. 7 is a rear elevational view thereof.

[56] **References Cited**

**U.S. PATENT DOCUMENTS**

D. 226,623	4/1973	Shuford	.....	D7/620
D. 228,335	9/1973	Jackson	.....	D7/620

**1 Claim, 2 Drawing Sheets**



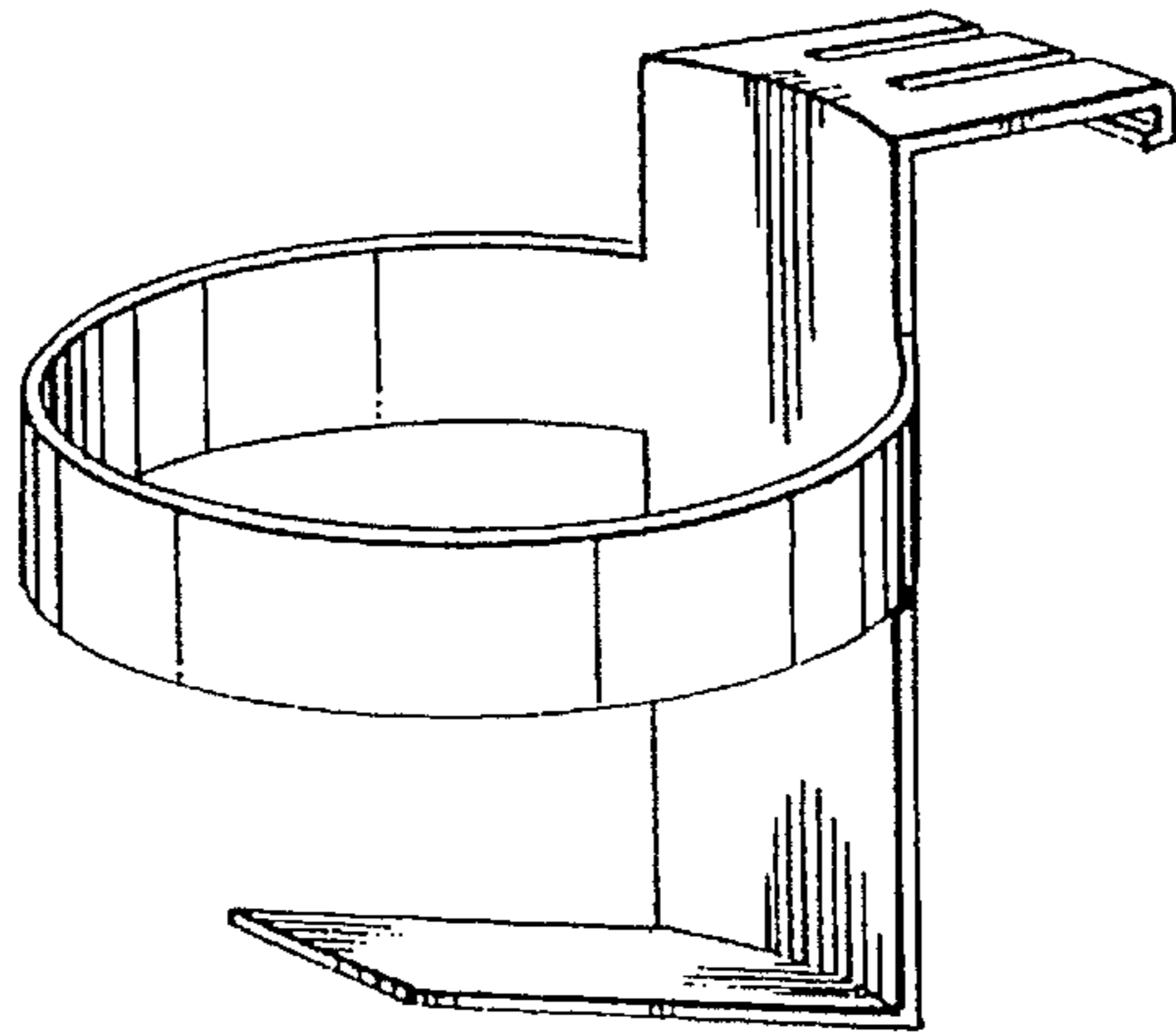


FIG. 1

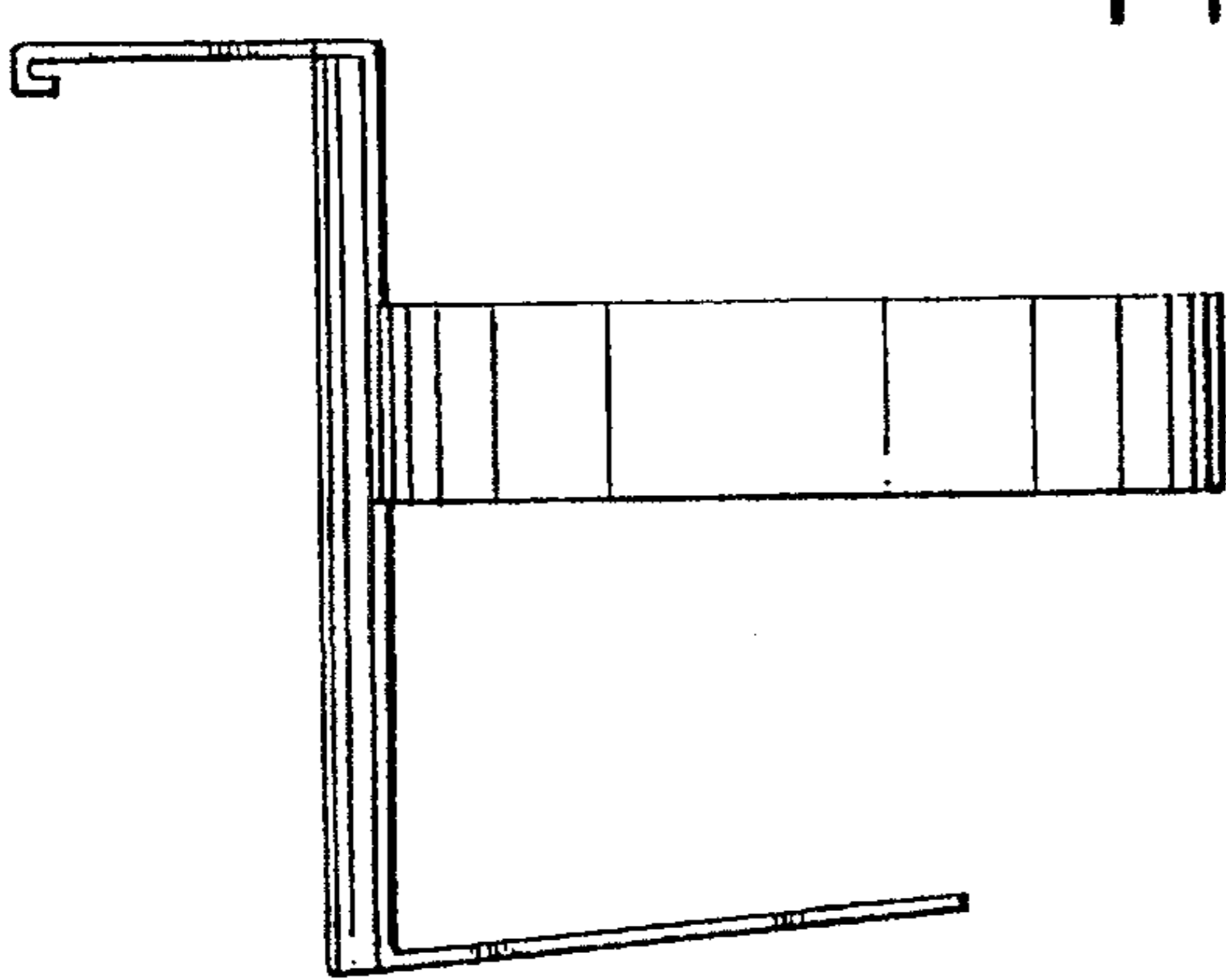


FIG. 2

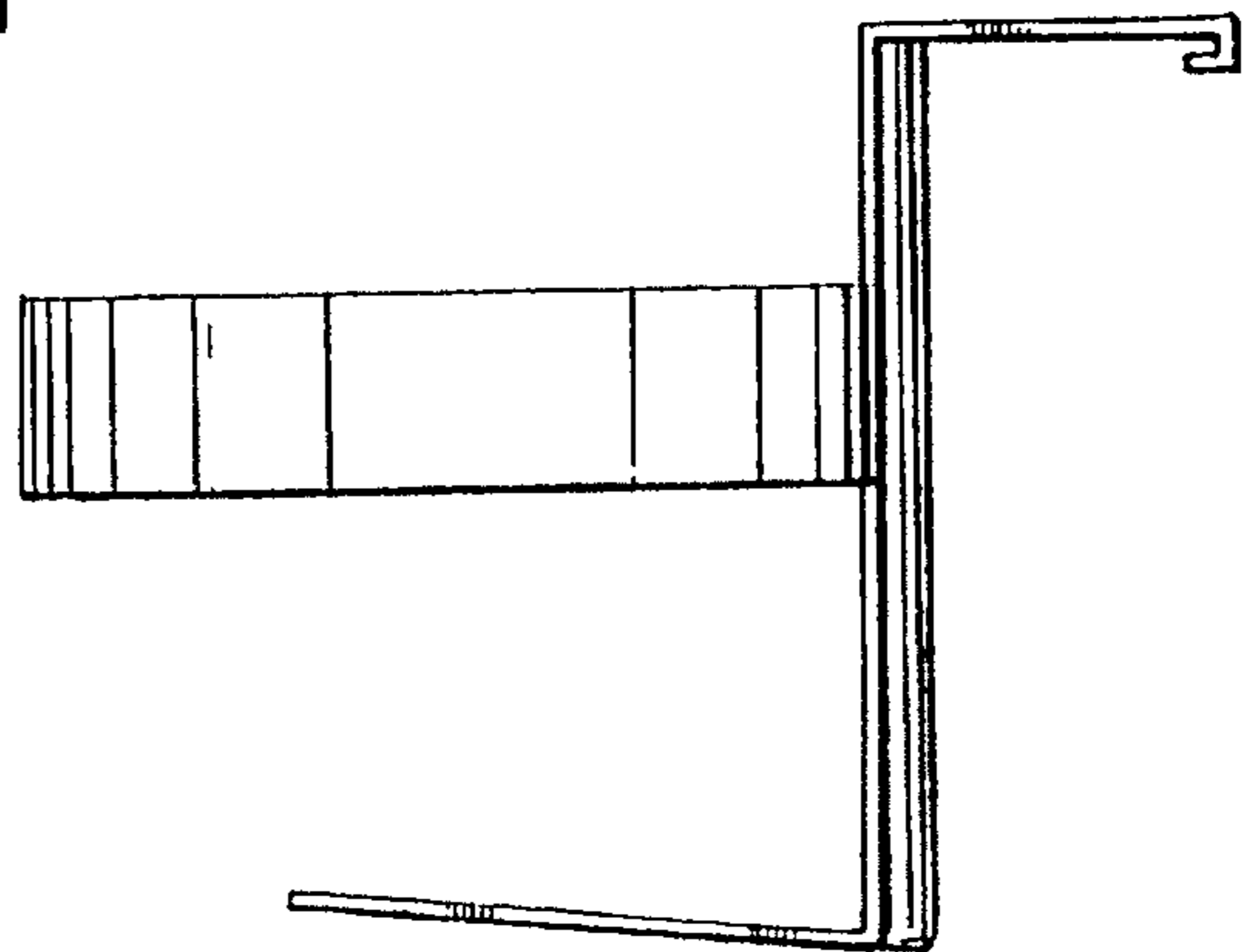


FIG. 3

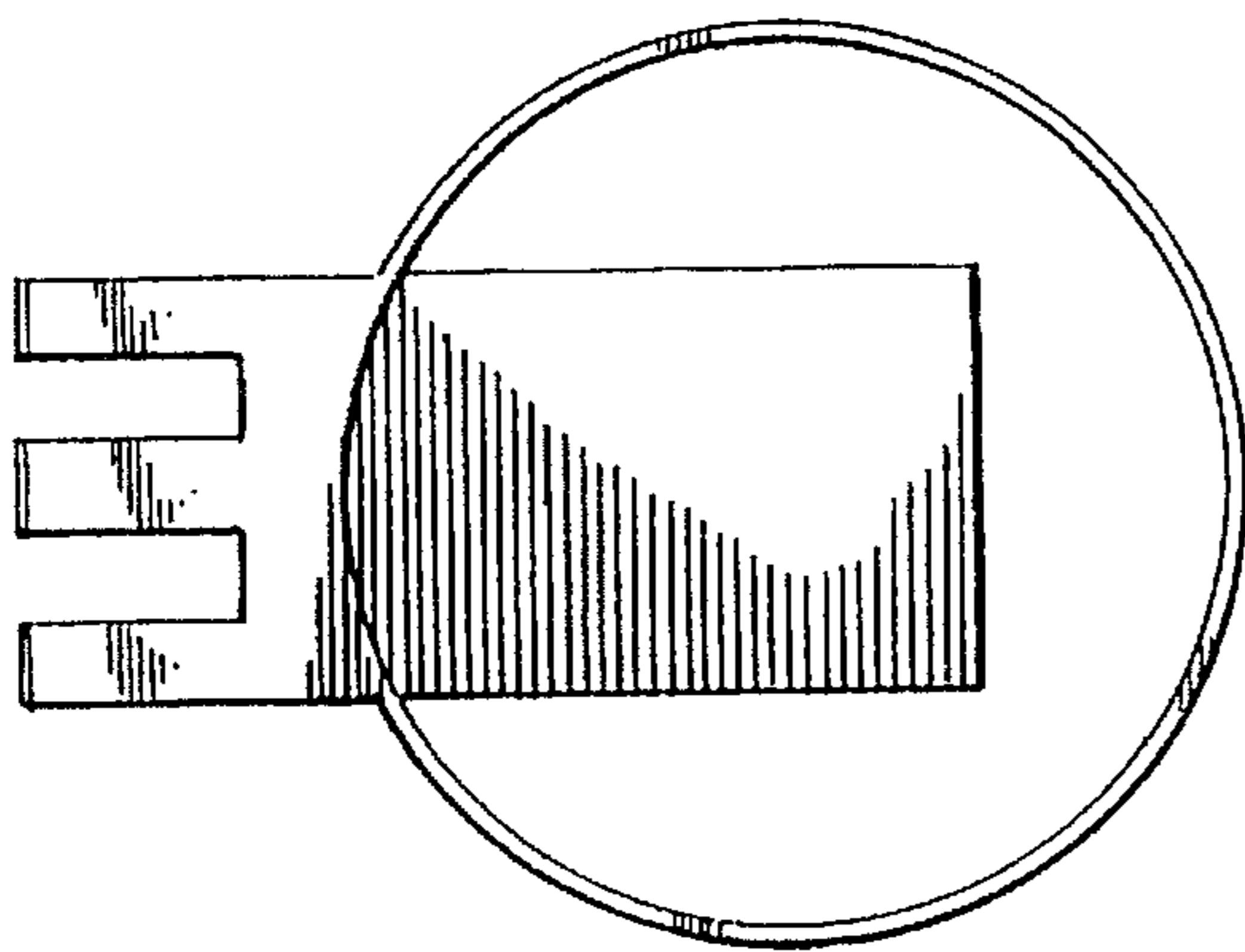


FIG. 4

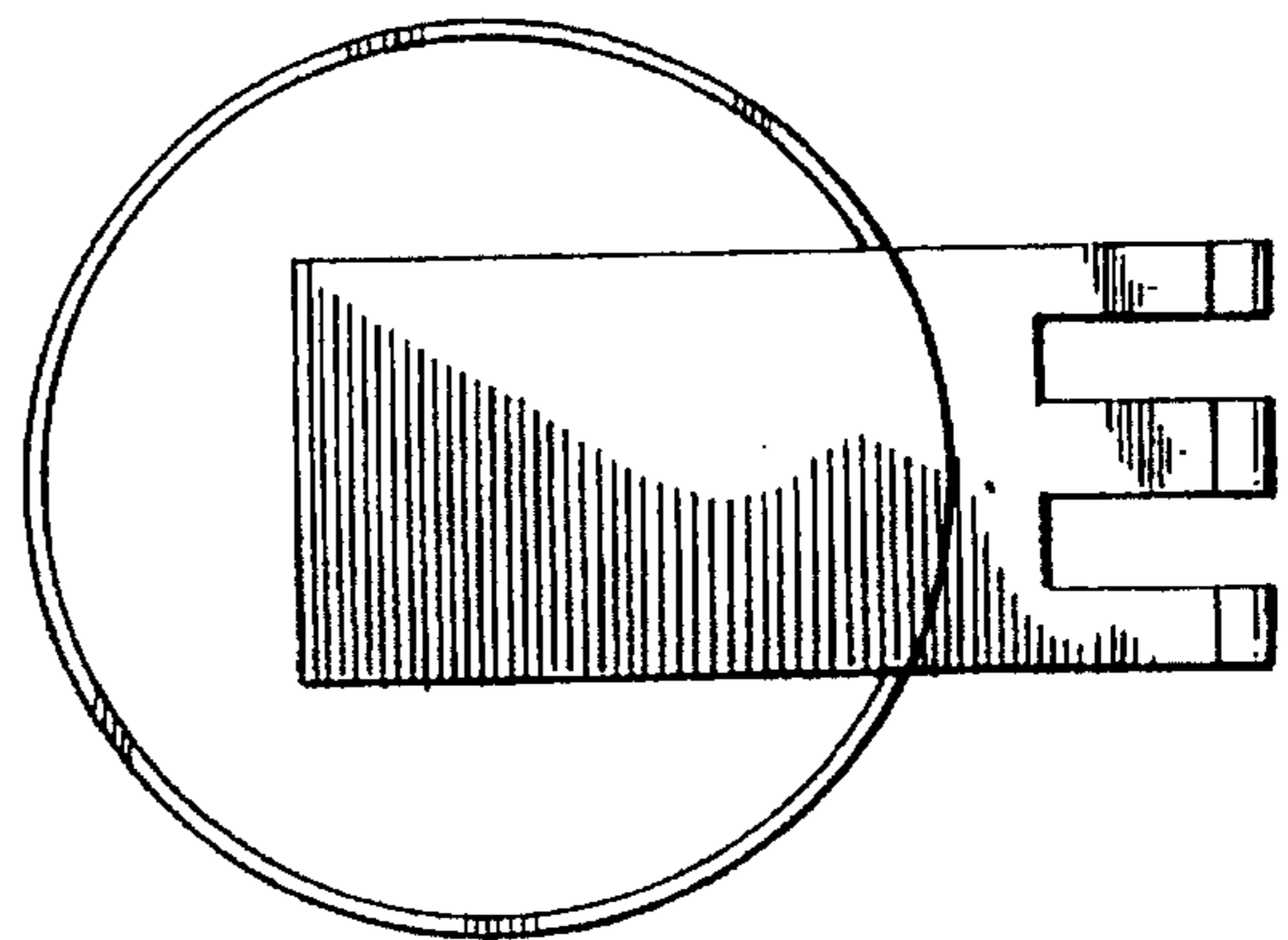


FIG. 5

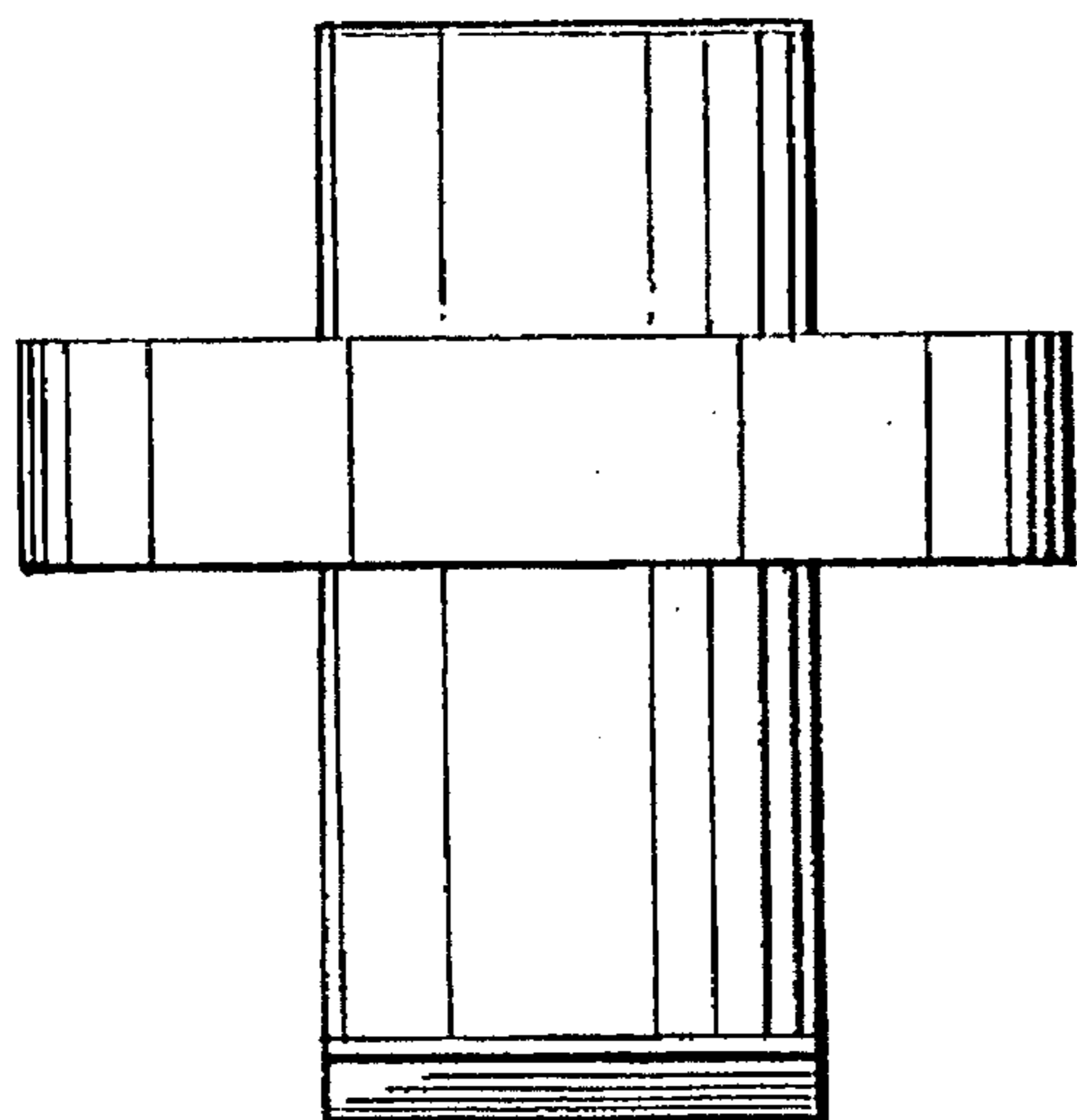


FIG. 6

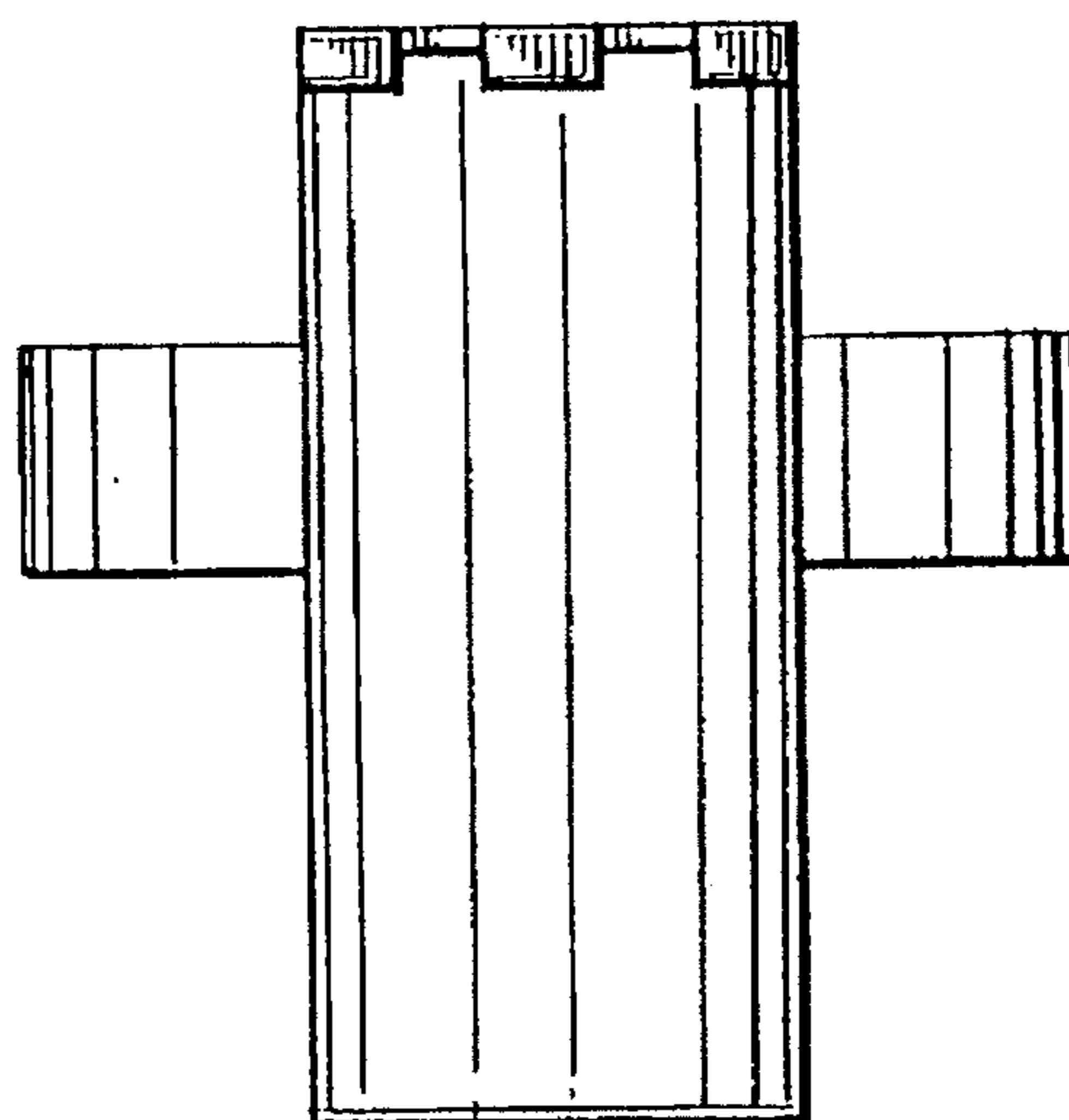


FIG. 7