



US00D379283S

United States Patent [19] Antinori

[11] Patent Number: Des. 379,283
[45] Date of Patent: **May 20, 1997

[54] **MATTRESS RETENTION BRACKET FOR ADJUSTABLE BEDS**

[76] Inventor: **Santino Antinori**, 3615 E. Lake Ave., Tampa, Fla. 33610

[**] Term: **14 Years**

[21] Appl. No.: **34,796**

[22] Filed: **Feb. 13, 1995**

[51] LOC (6) Cl. **06-06**

[52] U.S. Cl. **D6/606; D6/607; D8/354; D8/380**

[58] **Field of Search** D6/607, 503, 606, D6/419; 248/300, 220.21, 200, 200.1, 201, 202.1, 205.1, 441.1, 213.1, 213.2; 5/428-430, 425-426, 457-458, 460, 466, 658, 662, 659, 503.1, 411, 260, 266, 267, 270.1; D8/343, 349, 354, 366, 380; D19/34.1, 34.2, 34.3, 34.4; D12/114-117, 118, 120-121; 16/29, 90, 94 R, 114 R, 87 R, 223, 43, 51

[56] **References Cited**

U.S. PATENT DOCUMENTS

D. 199,957	1/1965	Bertoldo	5/662 X
D. 213,451	3/1969	White	
D. 268,488	4/1983	Arnott et al.	D12/115
D. 341,621	11/1993	Evenson	D19/34.1
630,191	8/1899	Davis	5/430
859,698	7/1907	Shannon	16/87 R
1,031,656	7/1912	Mellon	5/411
1,186,202	6/1916	Jasinski	5/503.1 X
1,402,928	1/1922	Hellweg	248/300 X
1,598,467	8/1926	Weeks	D19/34.1 X
3,955,727	5/1976	Montgomery	
4,009,921	3/1977	Narozny	
4,022,502	5/1977	Smith et al.	5/426 X

4,038,709	8/1977	Kerwit	5/68
4,570,275	2/1986	Merriman	5/429 X
5,195,200	3/1993	Leoutsakos	5/662
5,257,426	11/1993	Leutsakos	5/503.1
5,335,385	8/1994	Brown	5/425 X
5,400,450	3/1995	Leutsakos	5/426 X
5,448,791	9/1995	Brown	5/503.1 X
5,471,689	12/1995	Shaw et al.	5/426 X

OTHER PUBLICATIONS

Berger Bros. Cat., Coal Hod Handles, p. 151, Aug. 1912.
Drag Specialty Cat., p. 616, Item A, 1987.

Primary Examiner—Susan J. Lucas
Assistant Examiner—Cynthia E. Ramirez
Attorney, Agent, or Firm—Diller, Ramik & Wight, PC

[57] **CLAIM**

The ornamental design for a mattress retention bracket for adjustable beds, as shown and described.

DESCRIPTION

FIG. 1 is a front perspective view of the a mattress retention bracket for adjustable beds, and illustrates the design in its environment, namely, an adjustable bed frame, bed spring and bed mattress all shown in phantom outline;
FIG. 2 is a fragmentary enlarged rear perspective view of an adjustable bed frame, bed spring and bed mattress, all shown in phantom outline, and the mattress retention bracket for adjustable beds of this invention;
FIG. 3 is a perspective view of my design;
FIG. 4 is a rear elevational view thereof;
FIG. 5 is a top plan view thereof;
FIG. 6 is a bottom plan view thereof;
FIG. 7 is a side elevational view thereof; and,
FIG. 8 is a side elevational view opposite that illustrated in FIG. 7.

1 Claim, 2 Drawing Sheets

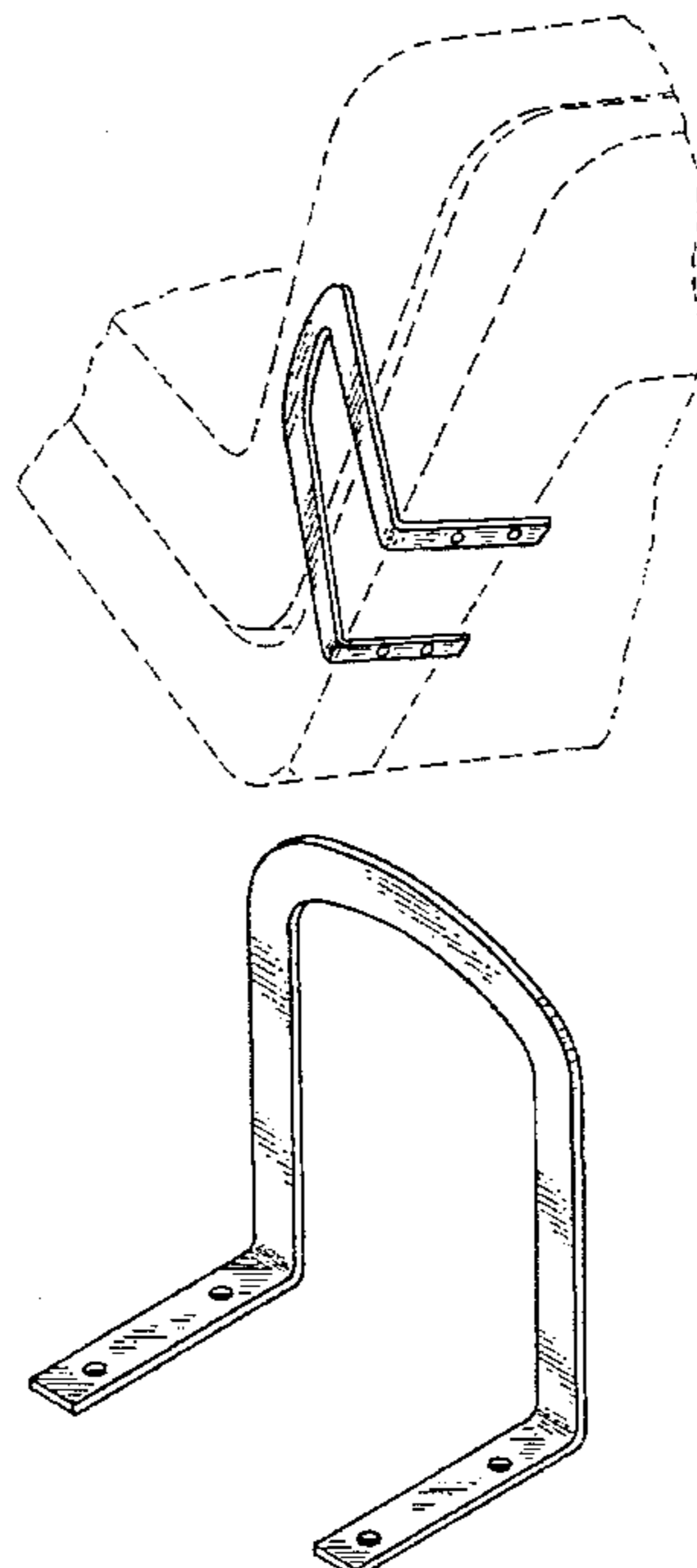


FIG. 1

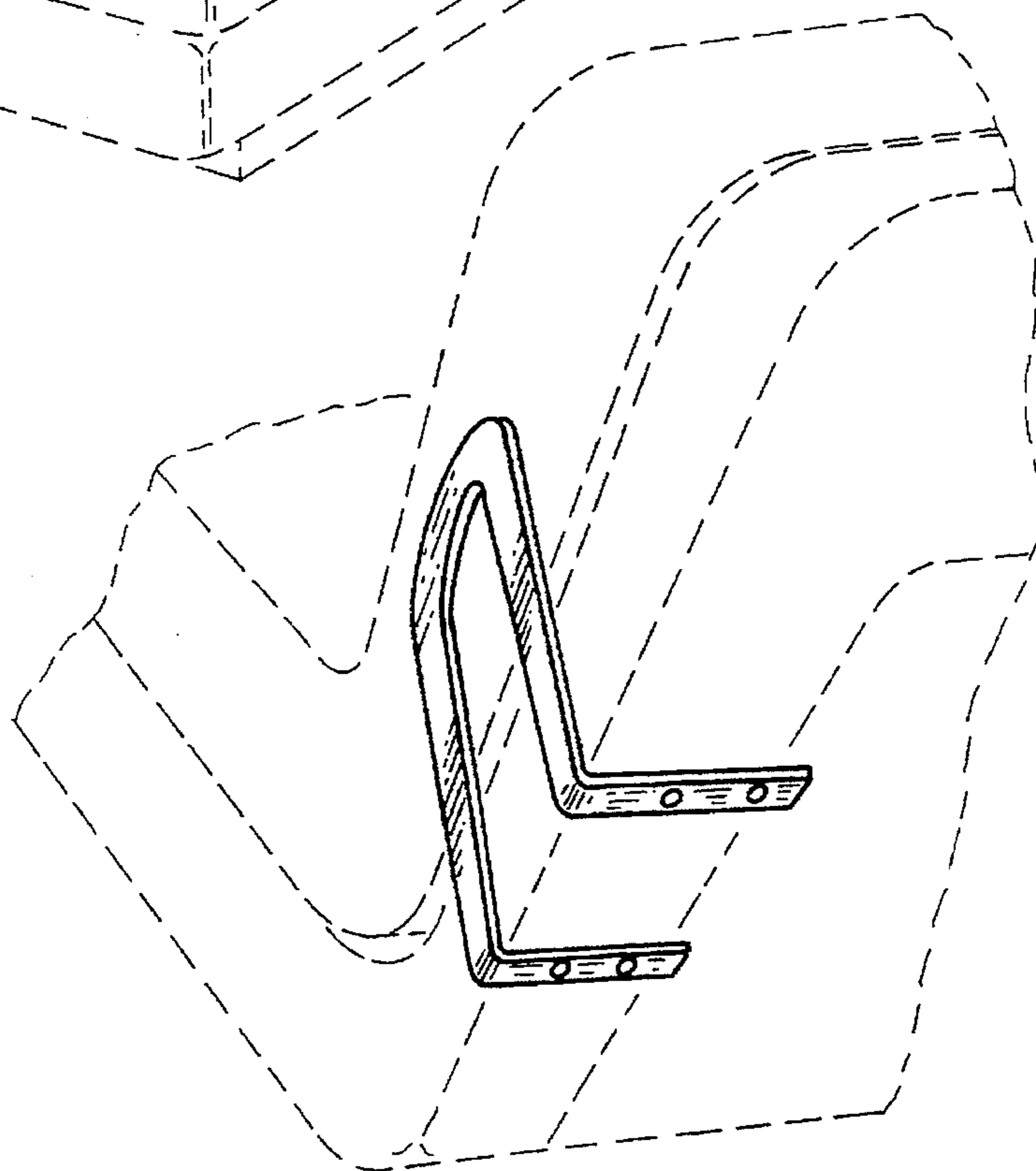
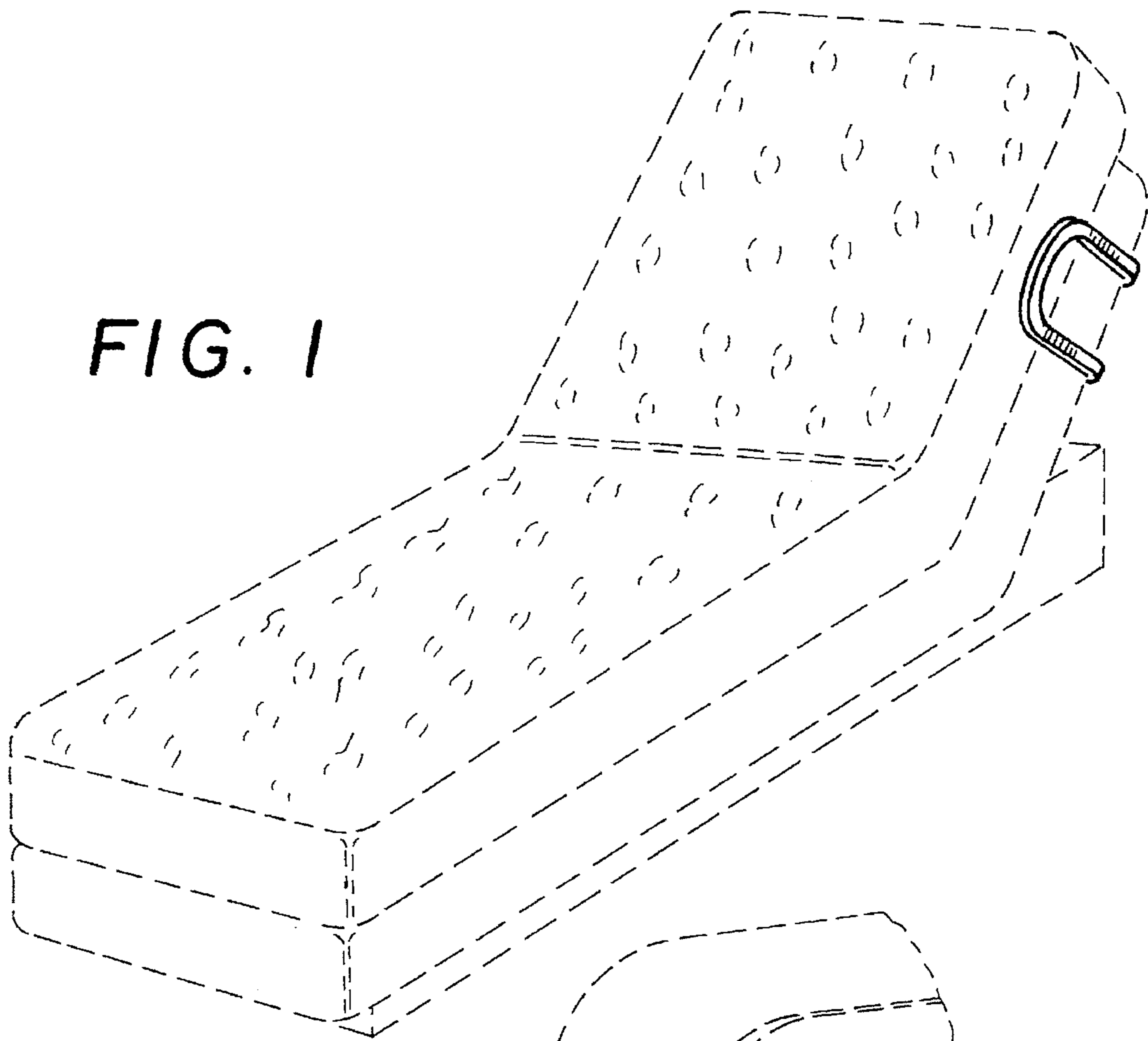


FIG. 2

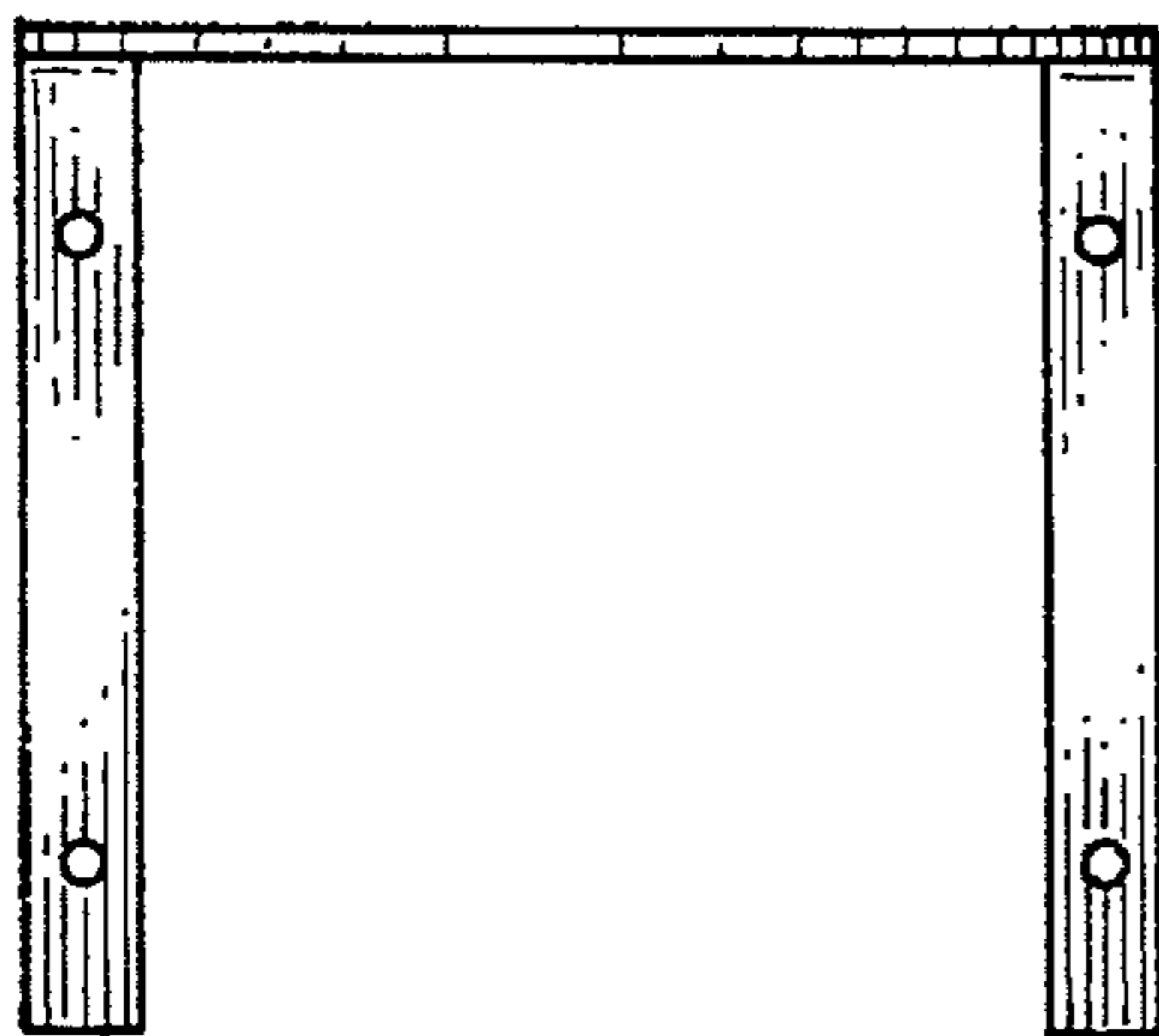
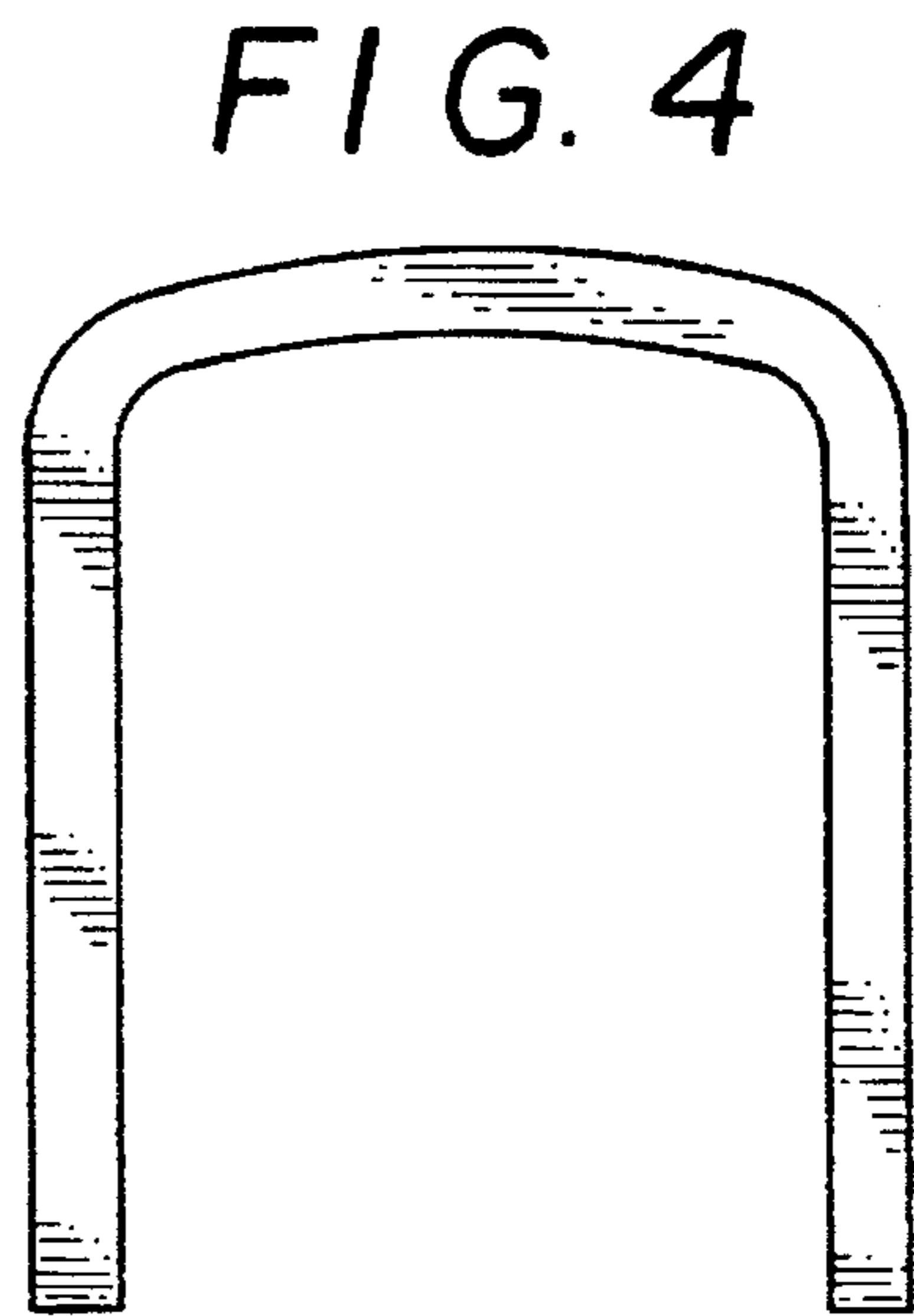
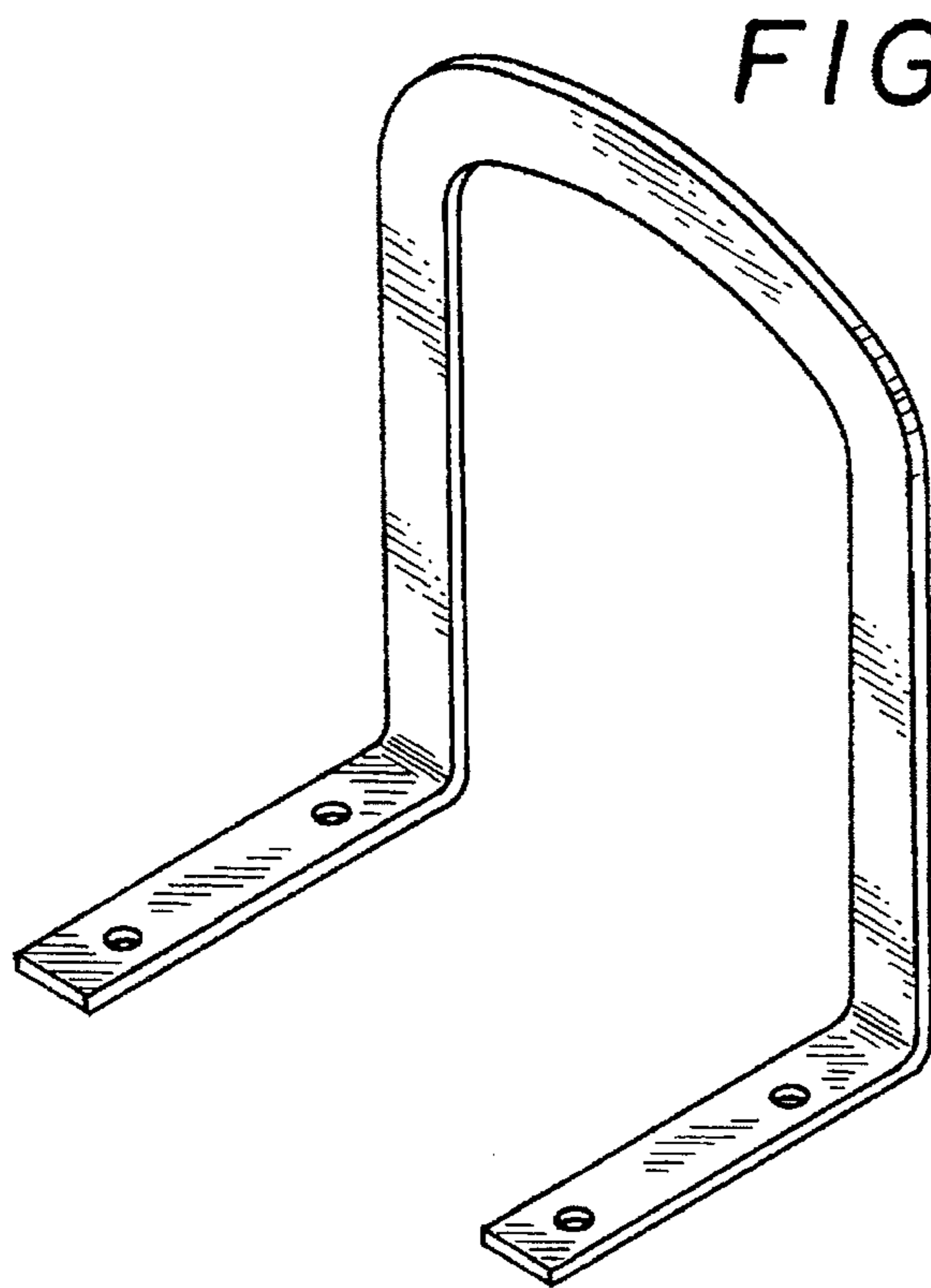


FIG. 6

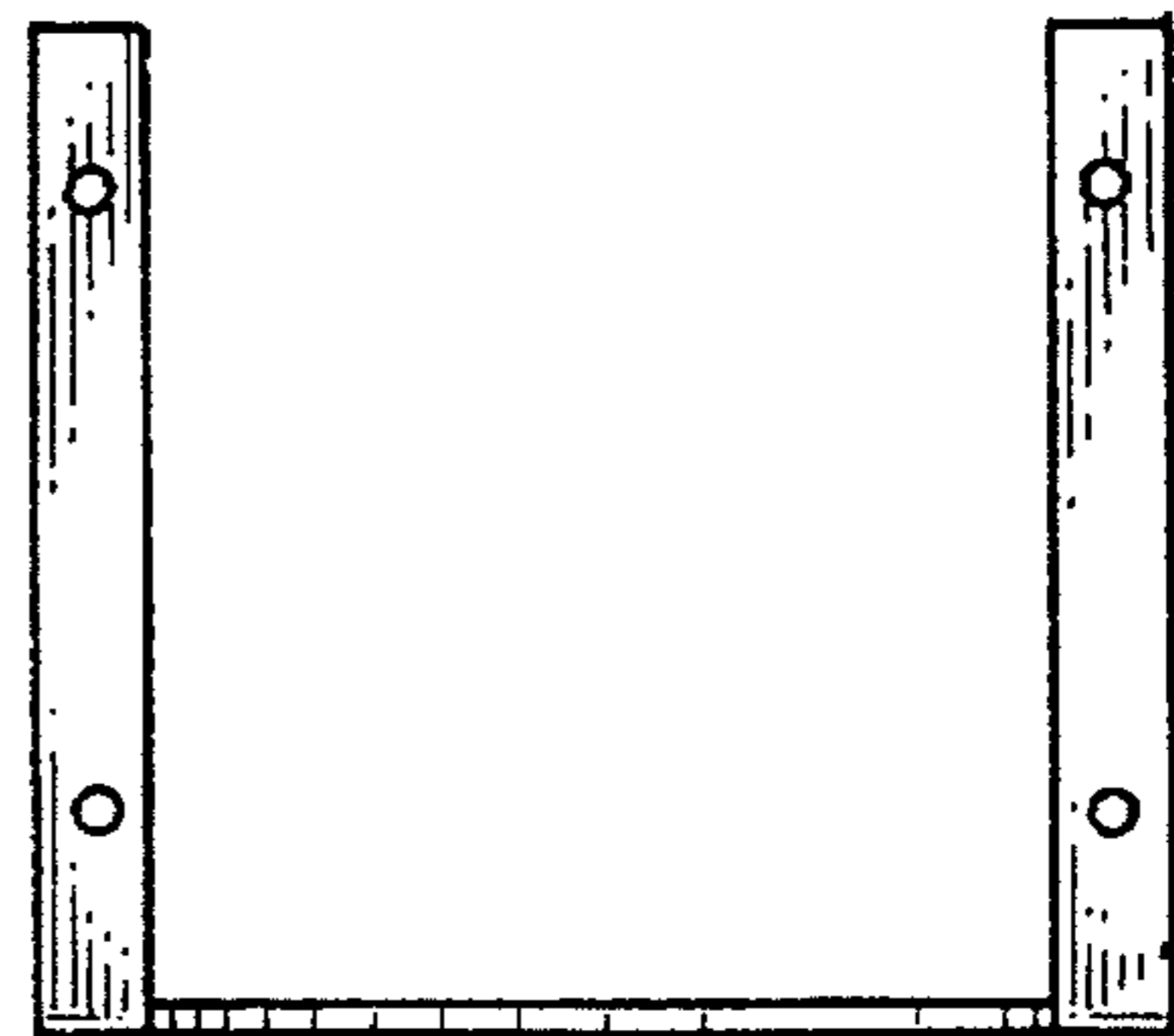


FIG. 5

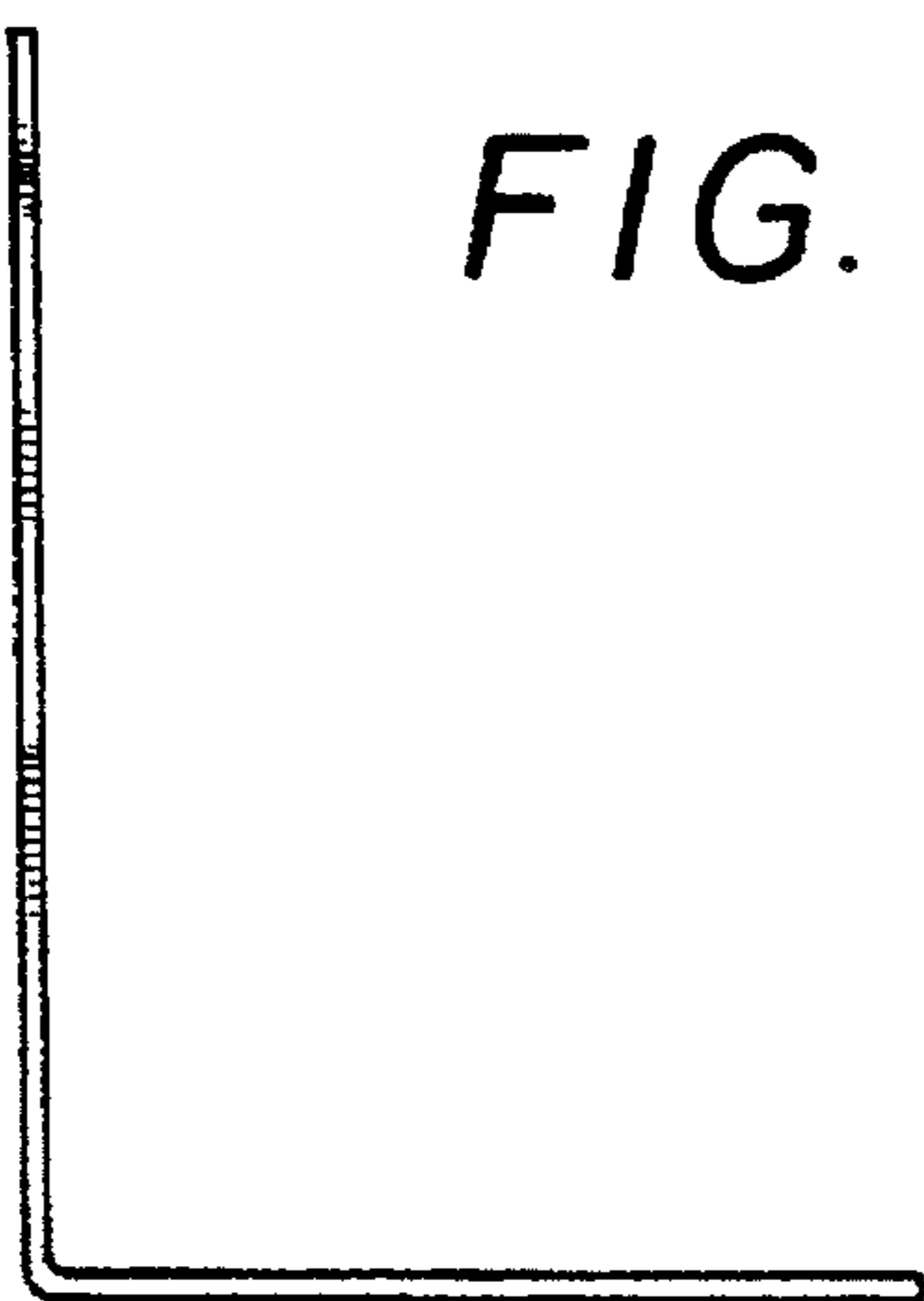


FIG. 8

