



US00D379277S

United States Patent [19]

Kozak

[11] Patent Number: **Des. 379,277**

[45] Date of Patent: ****May 20, 1997**

[54] **TUB/CARD DISPLAY RACK**

[76] Inventor: **Burton Kozak**, 1300 N. Lake Shore Dr., #28C, Chicago, Ill. 60610

[**] Term: **14 Years**

[21] Appl. No.: **44,095**

[22] Filed: **Sep. 18, 1995**

[51] LOC (6) Cl. **20-02**

[52] U.S. Cl. **D6/462; D6/476**

[58] Field of Search D6/449, 450, 451, D6/462, 463, 464, 471, 472, 475, 476; 211/13, 181, 126, 133; 40/606; D20/42; D7/612, 615

[56] **References Cited**

U.S. PATENT DOCUMENTS

- D. 50,562 12/1917 Newman D6/465
- D. 162,990 4/1951 Roeder D6/463
- D. 253,023 10/1979 Denhoff D6/479

- D. 289,837 5/1987 Luckey D6/471
- D. 301,665 6/1989 Suttles D6/463
- D. 366,579 1/1996 Kozak D6/476

Primary Examiner—B. J. Bullock
Assistant Examiner—Linda Brooks
Attorney, Agent, or Firm—Marshall, O'Toole, Gerstein, Murray & Borun

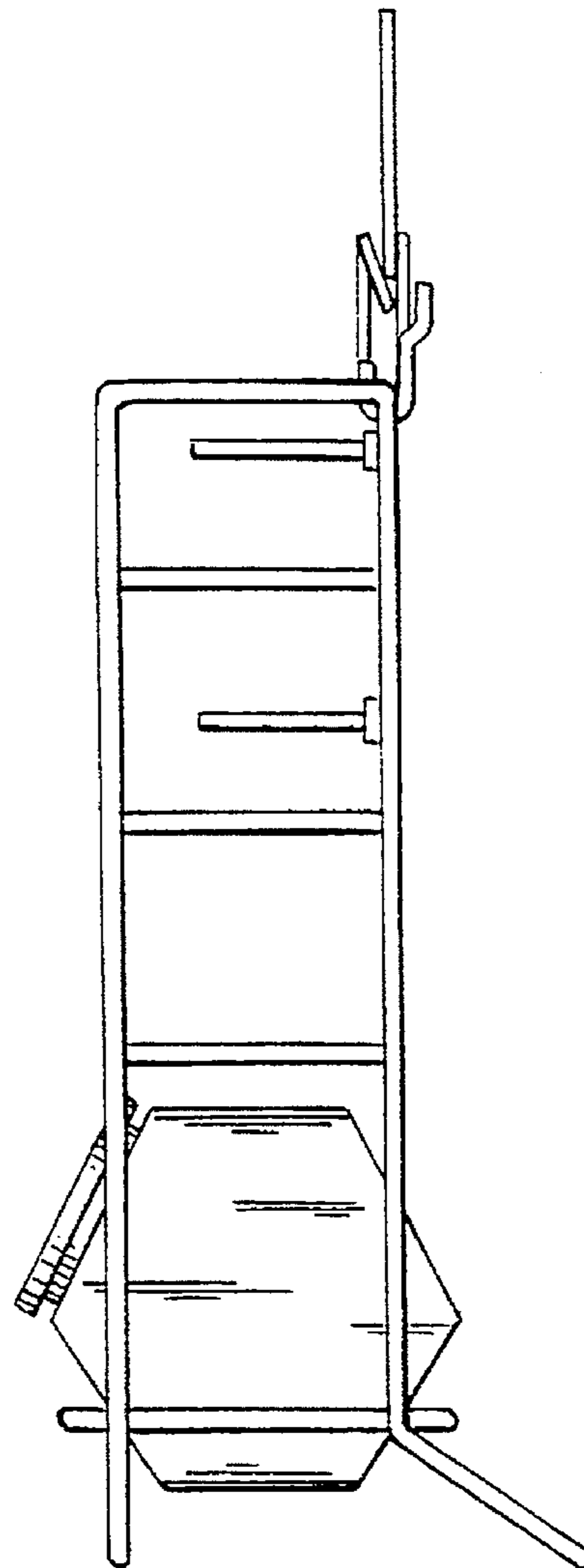
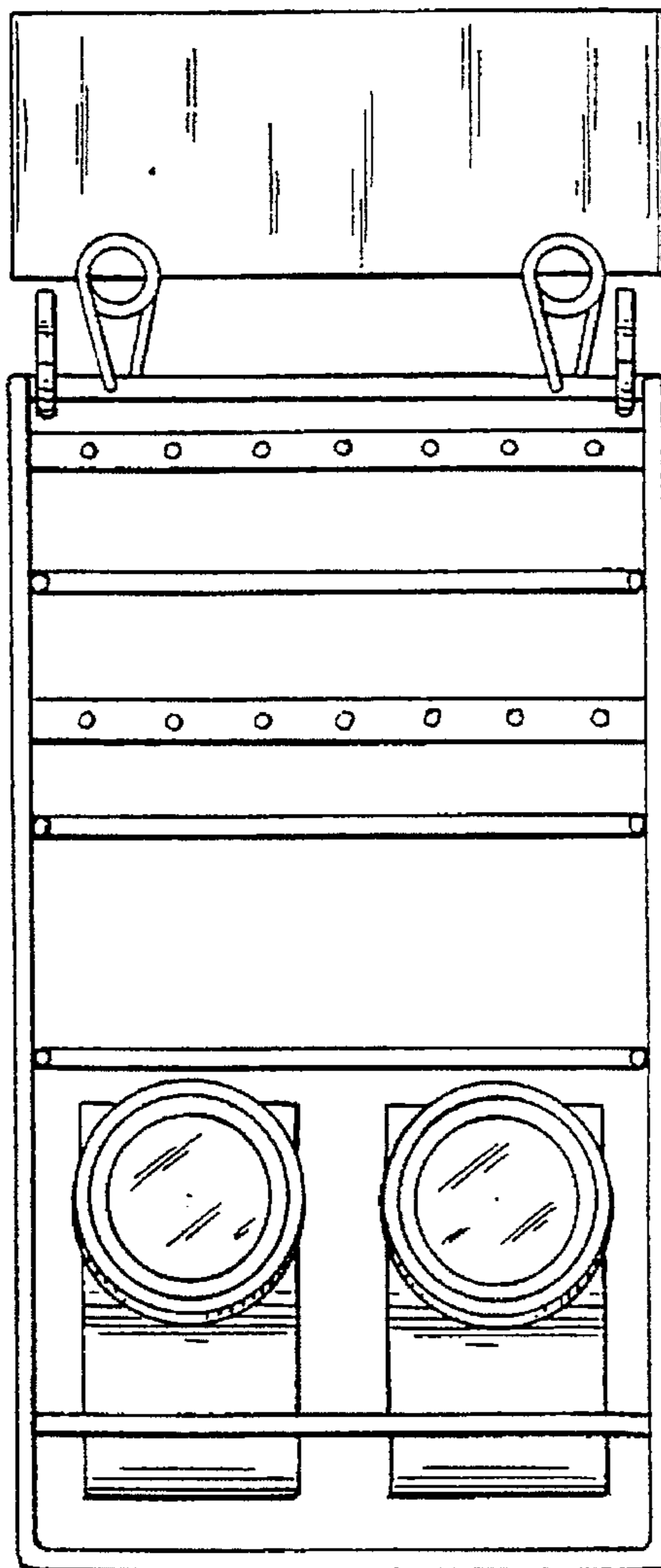
[57] **CLAIM**

The ornamental design for a tub/card display rack, as shown and described.

DESCRIPTION

FIG. 1 is a front elevational view of a tub/card display rack showing my new design;
FIG. 2 is a right side elevational view thereof;
FIG. 3 is a left side elevational view thereof;
FIG. 4 is a top elevational view thereof;
FIG. 5 is a bottom elevational view thereof; and,
FIG. 6 is a rear elevational view thereof.

1 Claim, 2 Drawing Sheets



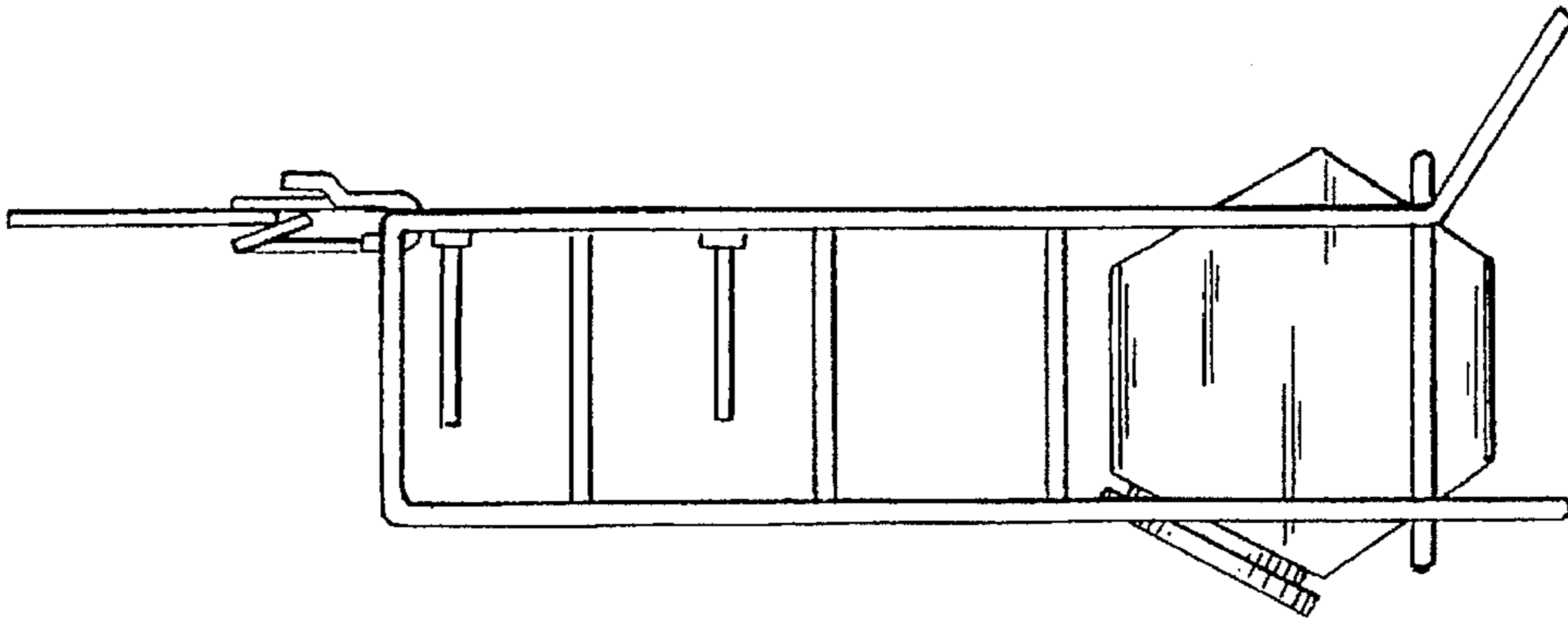


FIG. 2

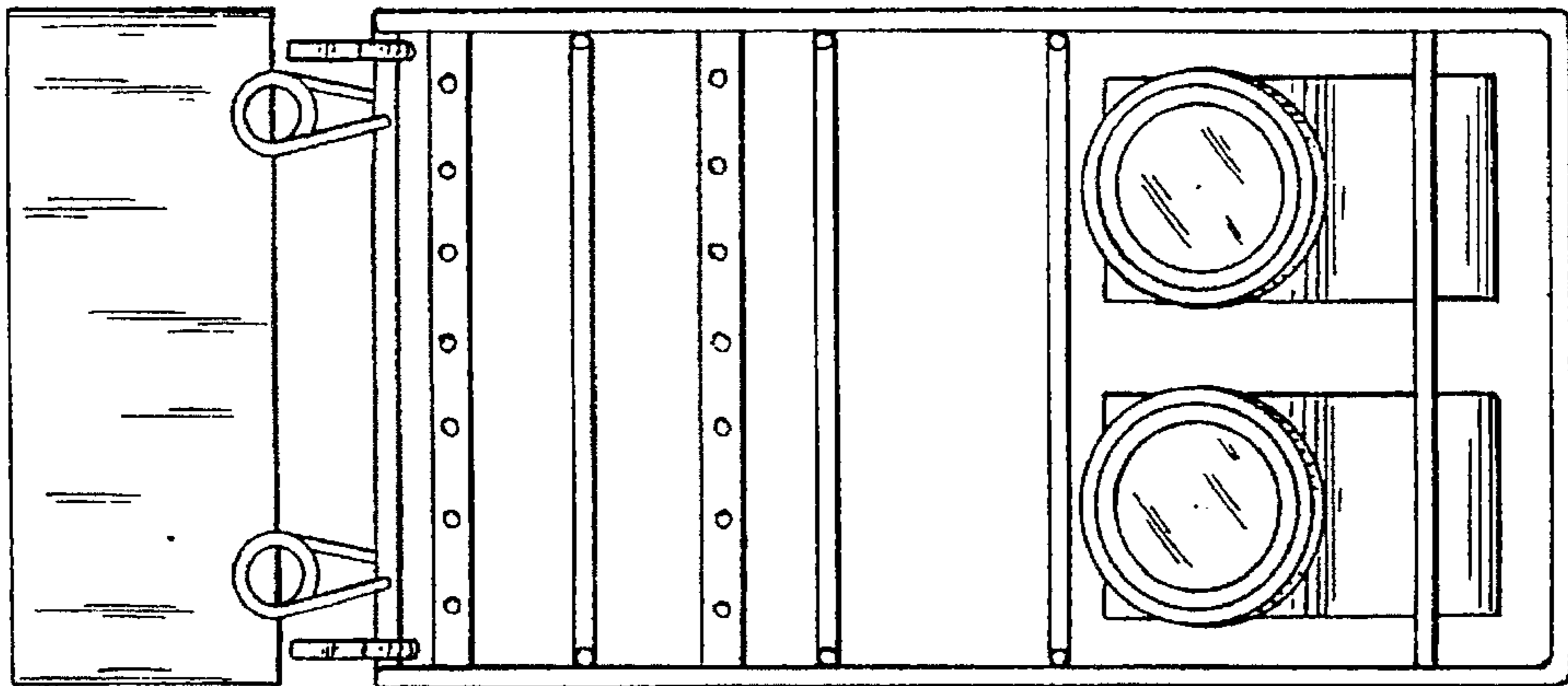


FIG. 1

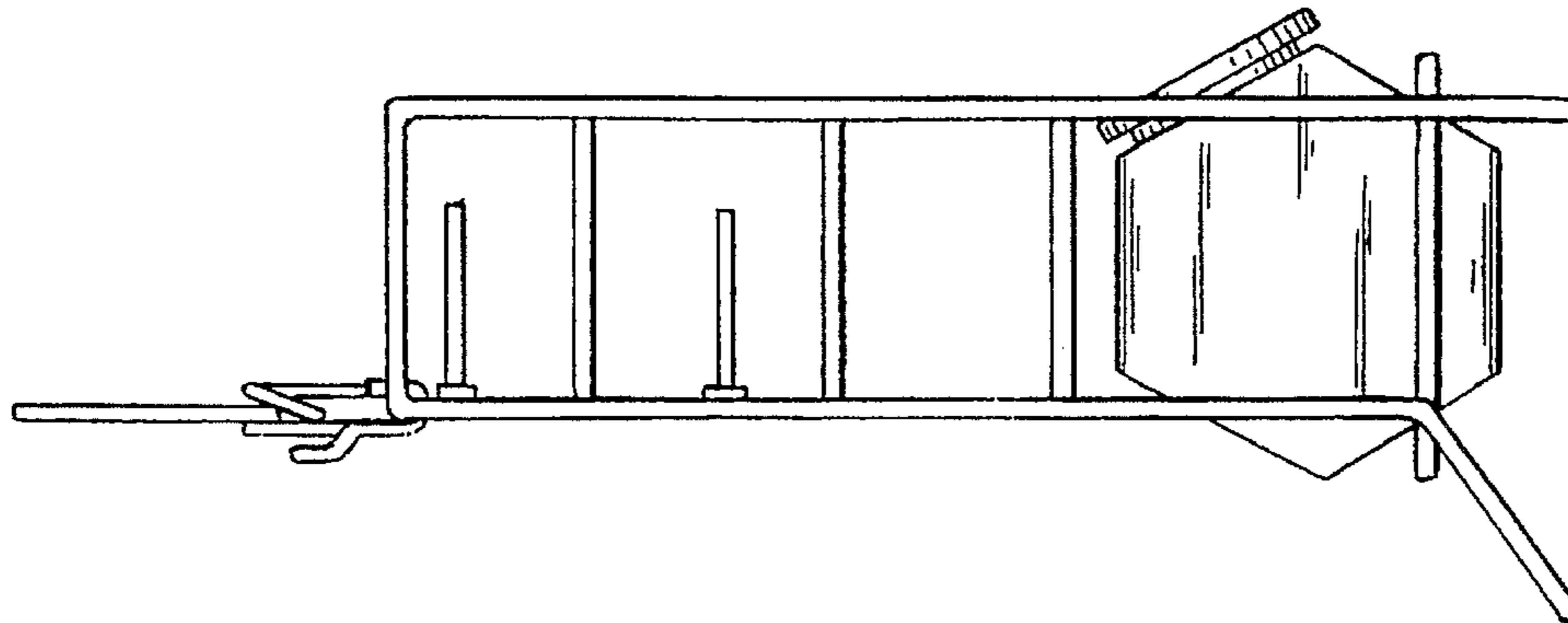


FIG. 3

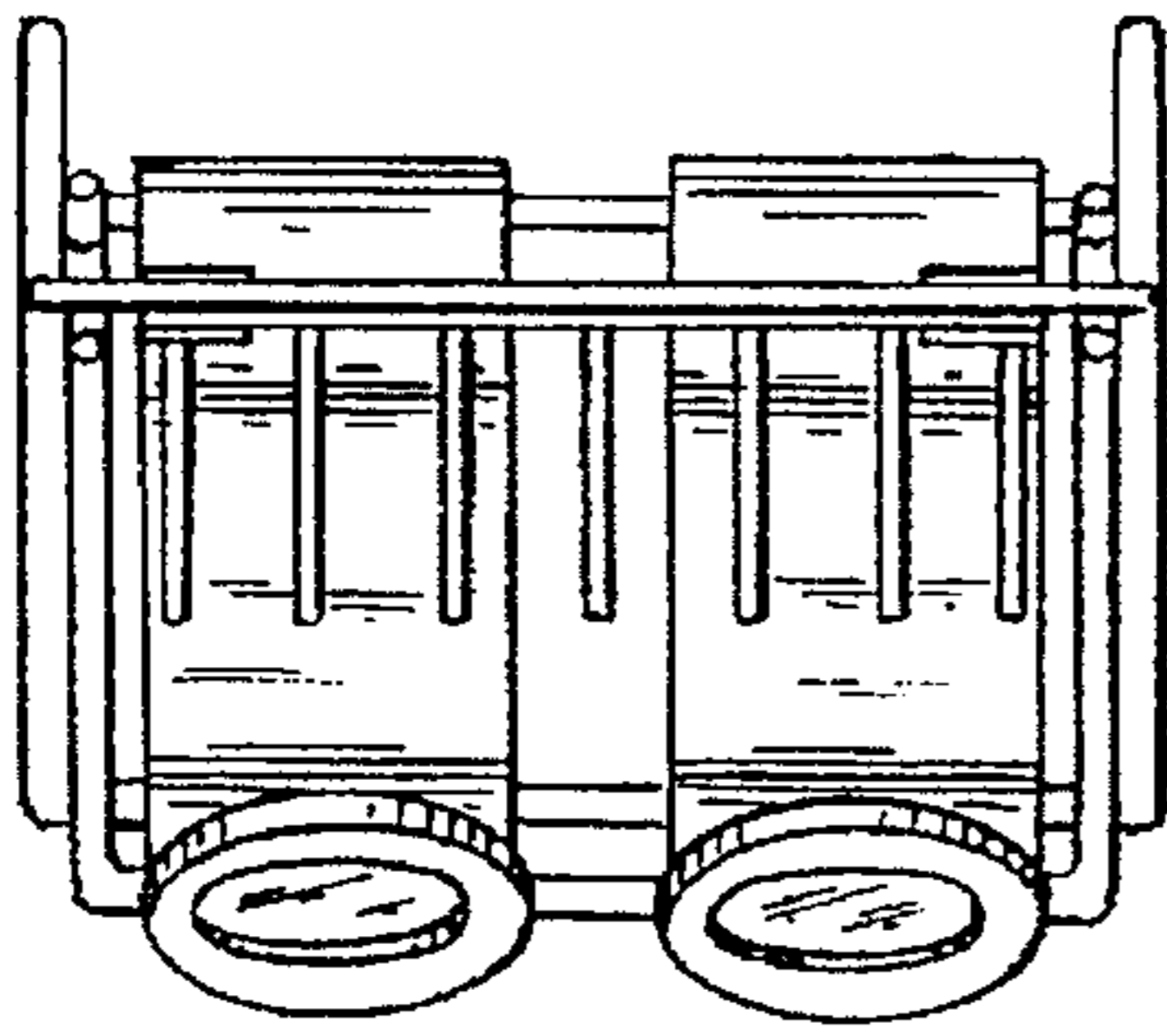


FIG. 4

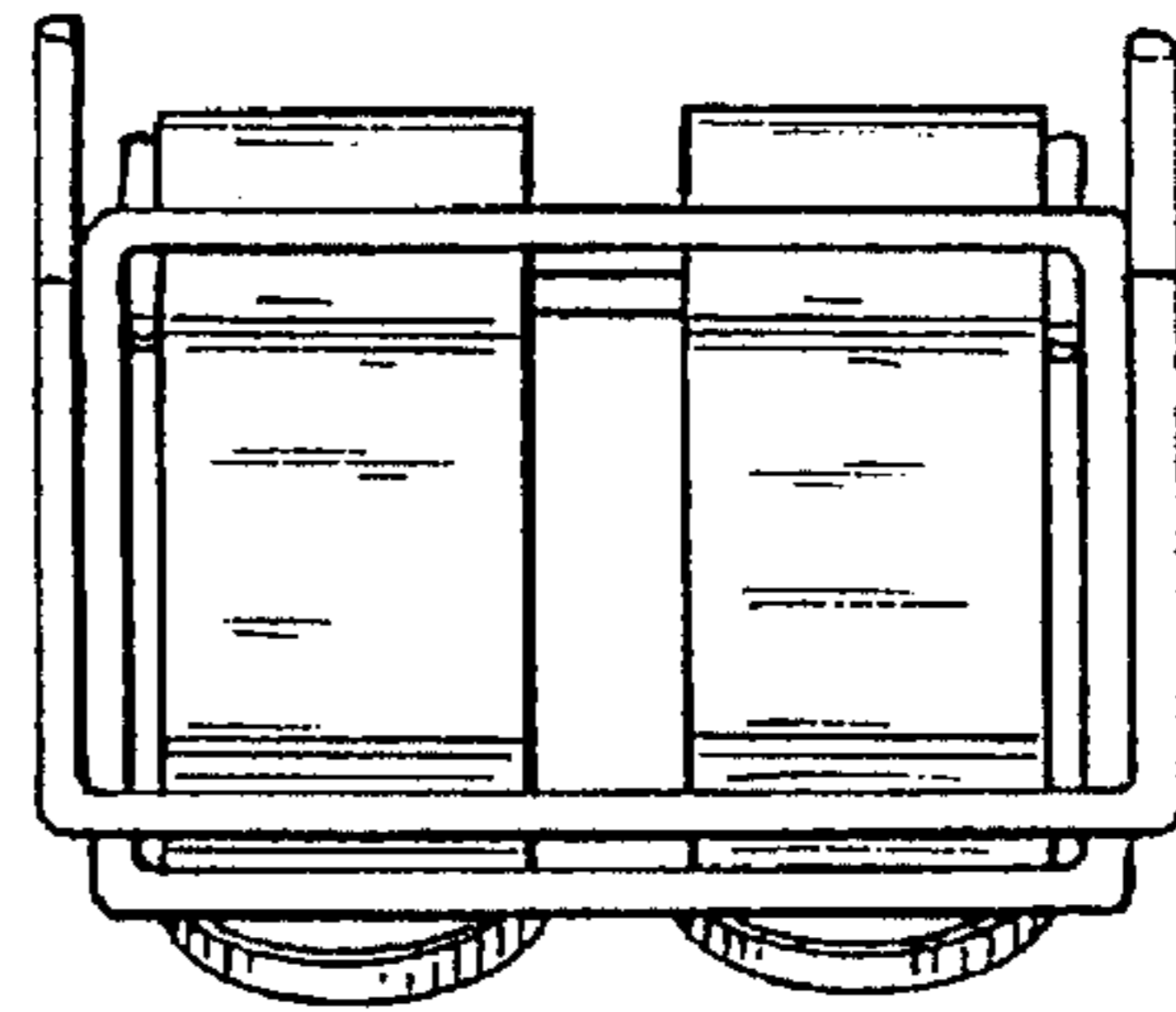


FIG. 5

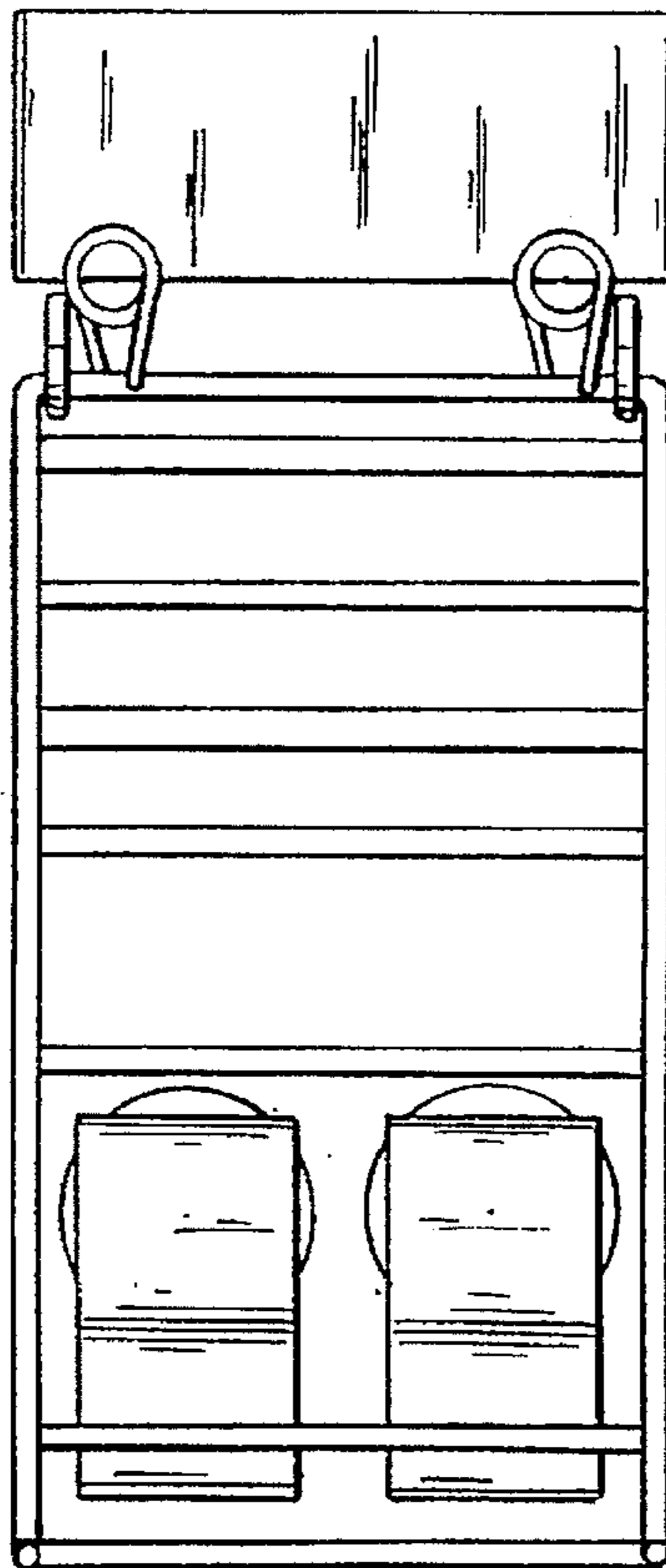


FIG. 6