



US00D379275S

United States Patent [19]

[11] Patent Number: **Des. 379,275**

Cole

[45] Date of Patent: ****May 20, 1997**

[54] WORKBENCH

[76] Inventor: **Kimberly J. Cole**, 3723 Prairie, Grandville, Mich. 49418

[**] Term: **14 Years**

[21] Appl. No.: **42,651**

[22] Filed: **Aug. 16, 1995**

[51] LOC (6) Cl. **06-04**

[52] U.S. Cl. **D6/440; D6/400**

[58] Field of Search **D6/396, 429, 440, D6/400, 484, 480; 144/286 R, 286 A, 287; 269/139, 16; D25/67; D3/200**

[56] References Cited

U.S. PATENT DOCUMENTS

4,133,360	1/1979	Sanfilippo et al.	144/286.1
4,588,176	5/1986	Anderton	269/16
5,135,036	8/1992	Caron	269/139 X

FOREIGN PATENT DOCUMENTS

243114	6/1925	United Kingdom	312/324
--------	--------	----------------------	---------

Primary Examiner—Janice E. Seeger
Attorney, Agent, or Firm—Bliss McGlynn, P.C.

1 Claim, 2 Drawing Sheets

[57] CLAIM

The ornamental design for a workbench, as shown and described.

DESCRIPTION

FIG. 1 is a perspective view of a workbench in accordance with the present invention;

FIG. 2 is a front view of the design for a workbench as shown in FIG. 1;

FIG. 3 is a rear view of the design for a workbench as shown in FIG. 1;

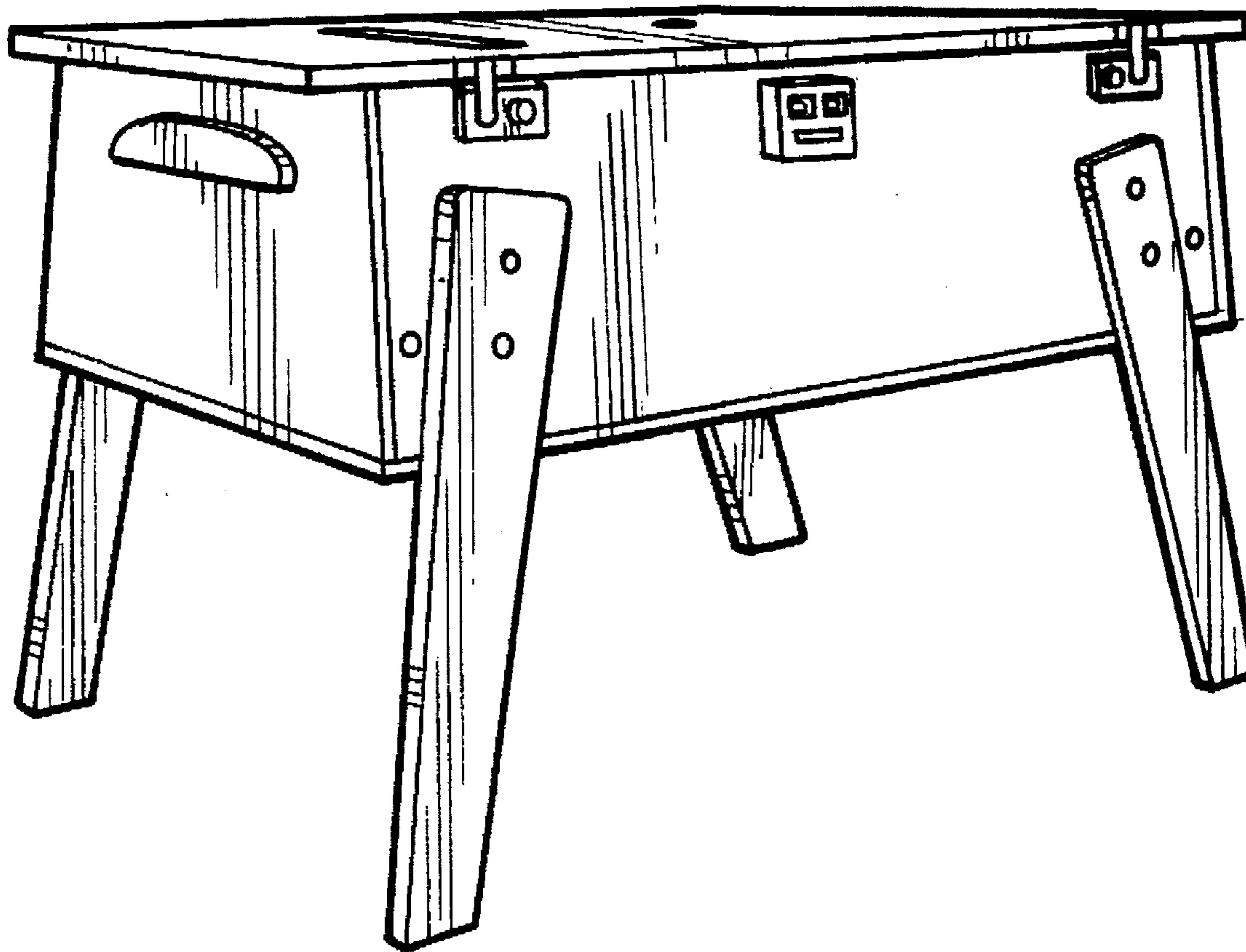
FIG. 4 is a side view of the design for a workbench as shown in FIG. 1;

FIG. 5 is a side view of a side opposite the side shown in FIG. 4 of the design of the workbench as shown in FIG. 1;

FIG. 6 is a top view of the design for a workbench as shown in FIG. 1;

FIG. 7 is a bottom view of the design for a workbench as shown in FIG. 1; and,

FIG. 8 is a perspective view of the workbench as shown in FIG. 1 illustrating the leg portions in a folded position.



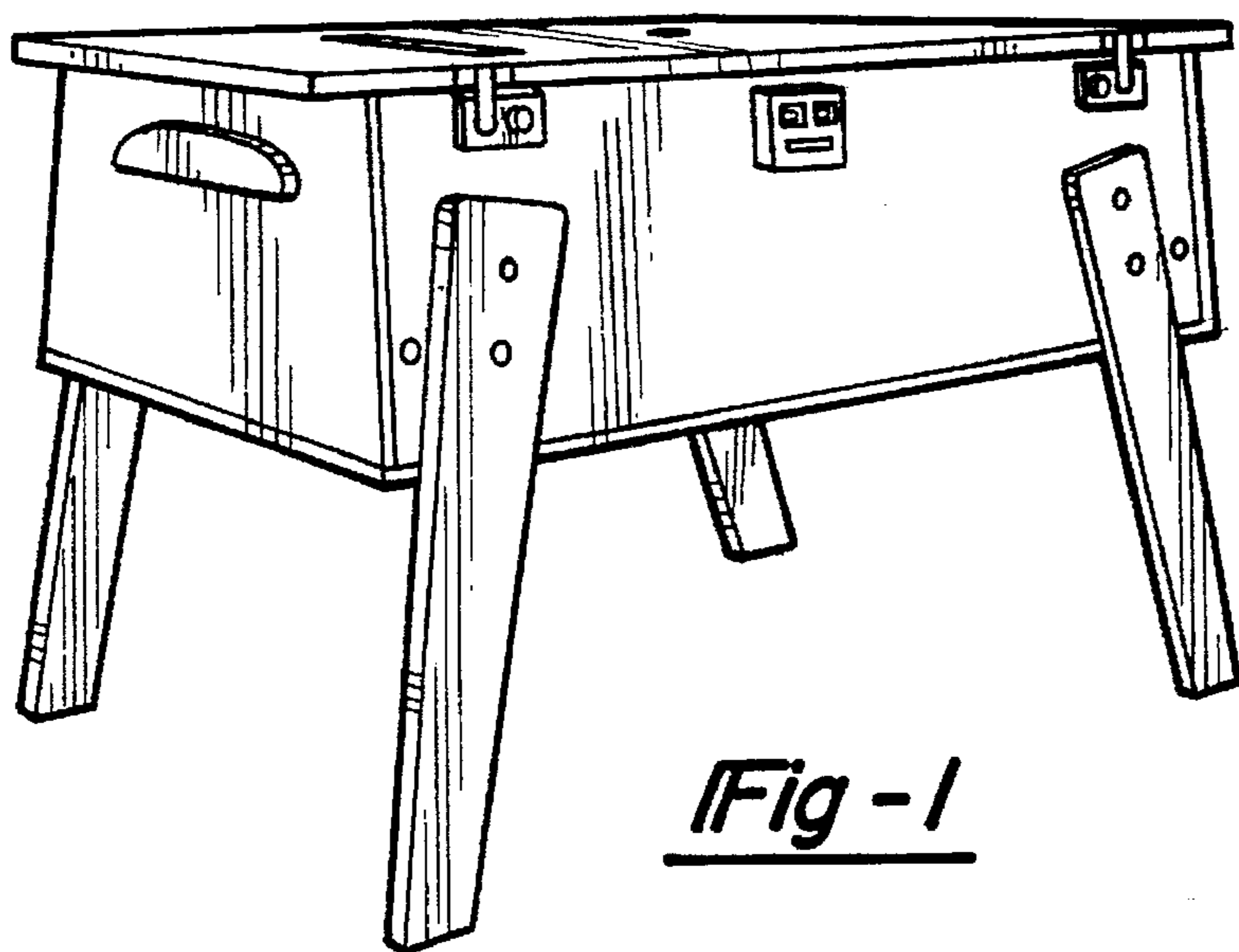


Fig - 1

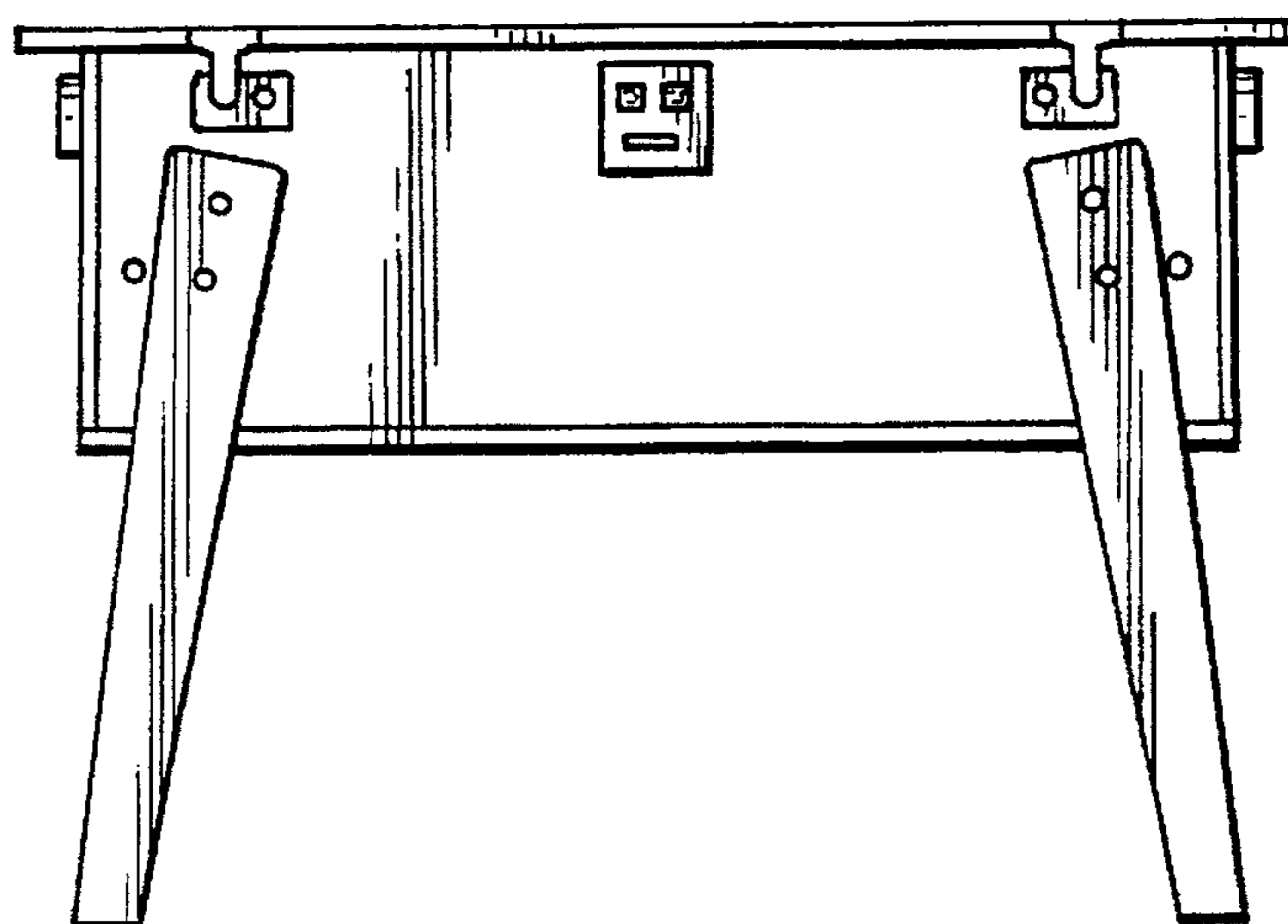


Fig - 2

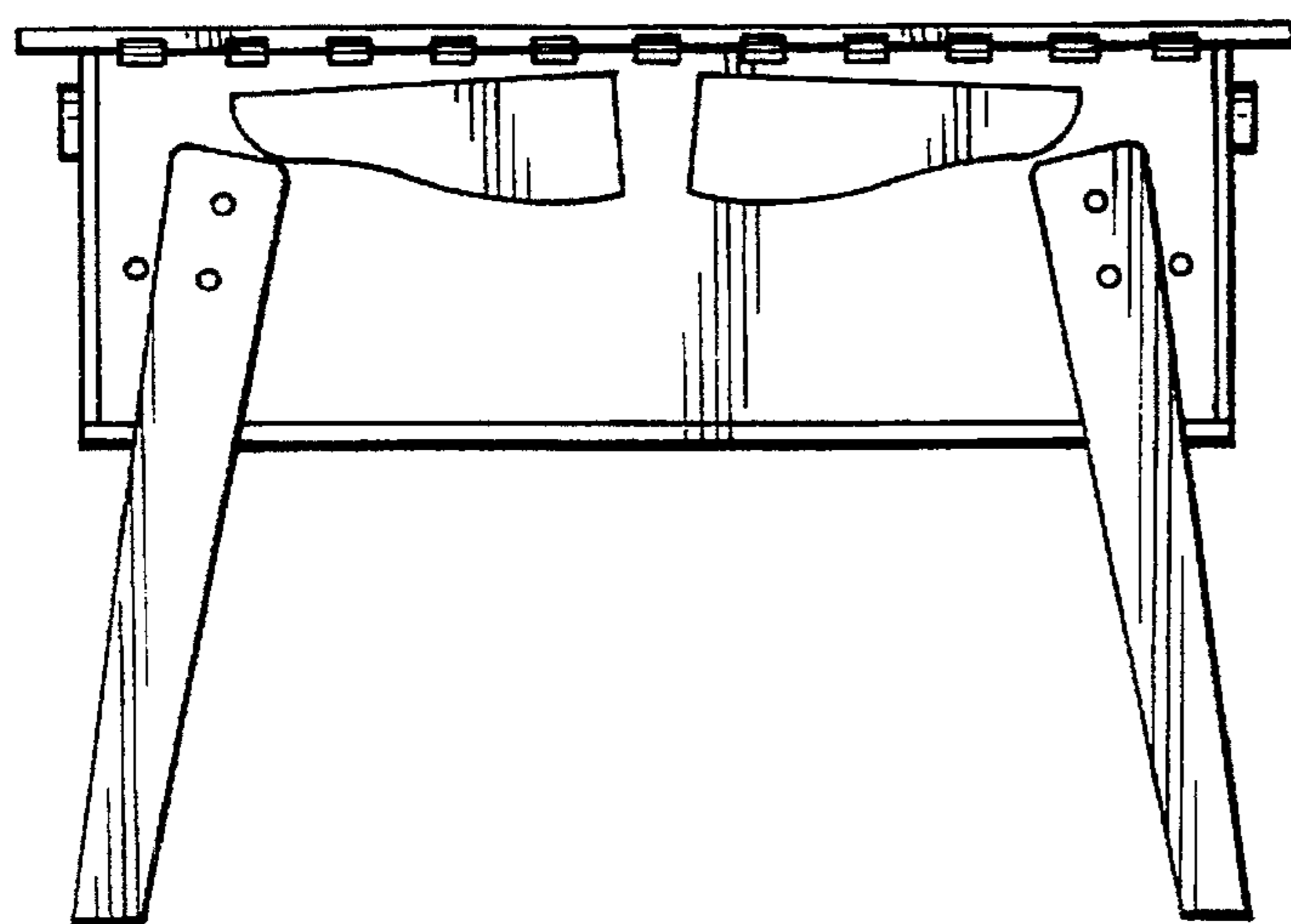


Fig - 3

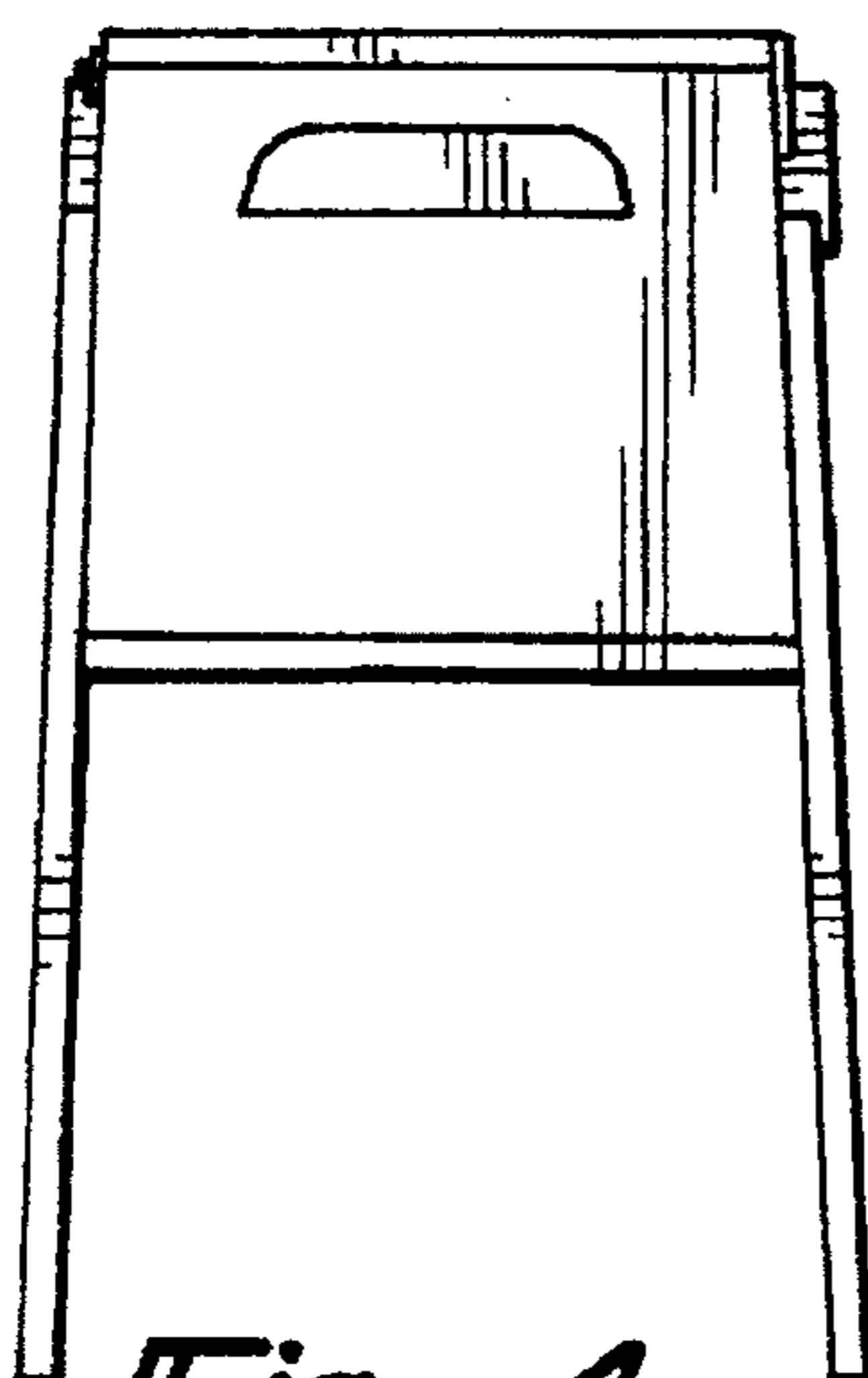


Fig - 4

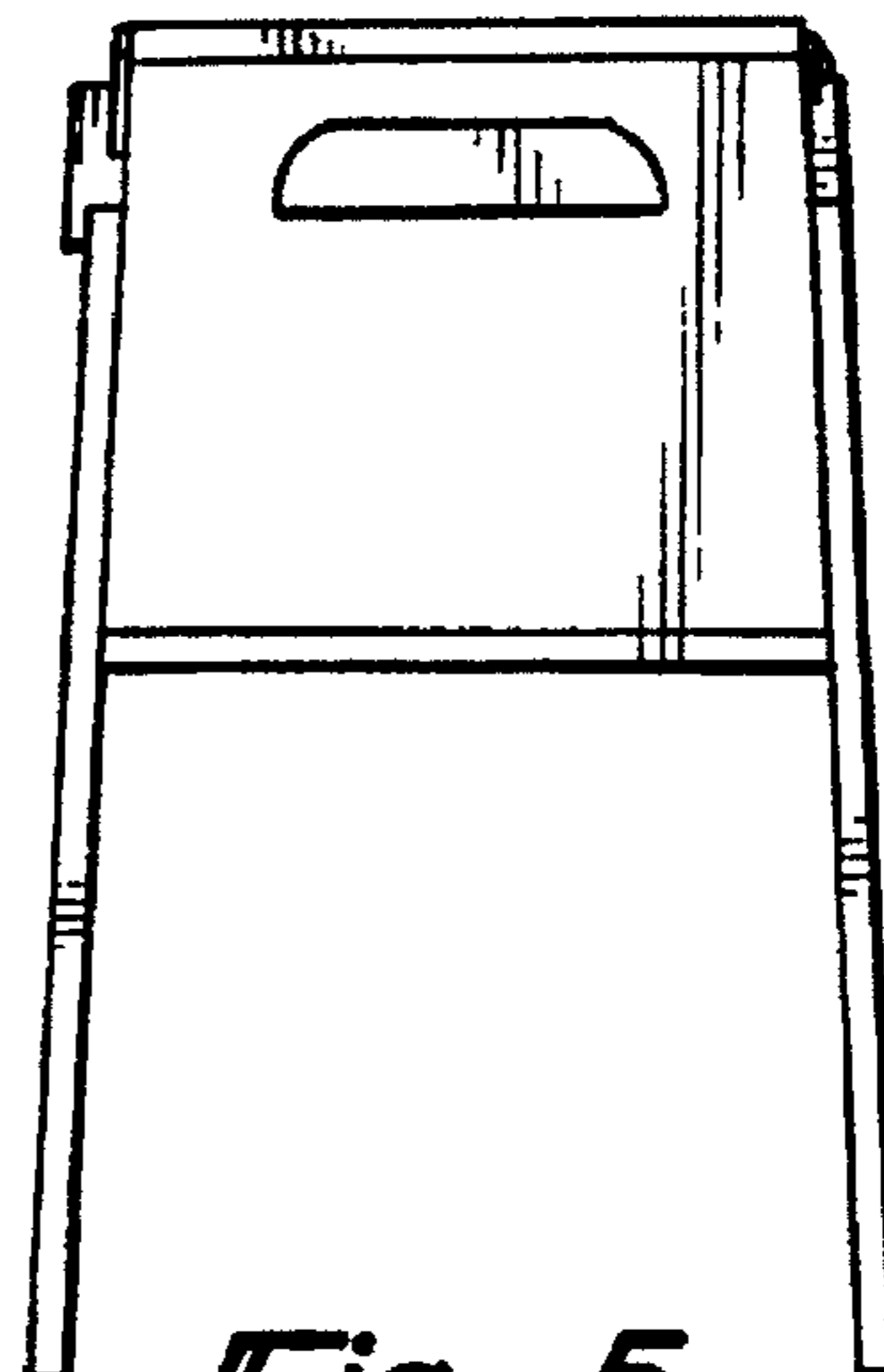


Fig - 5

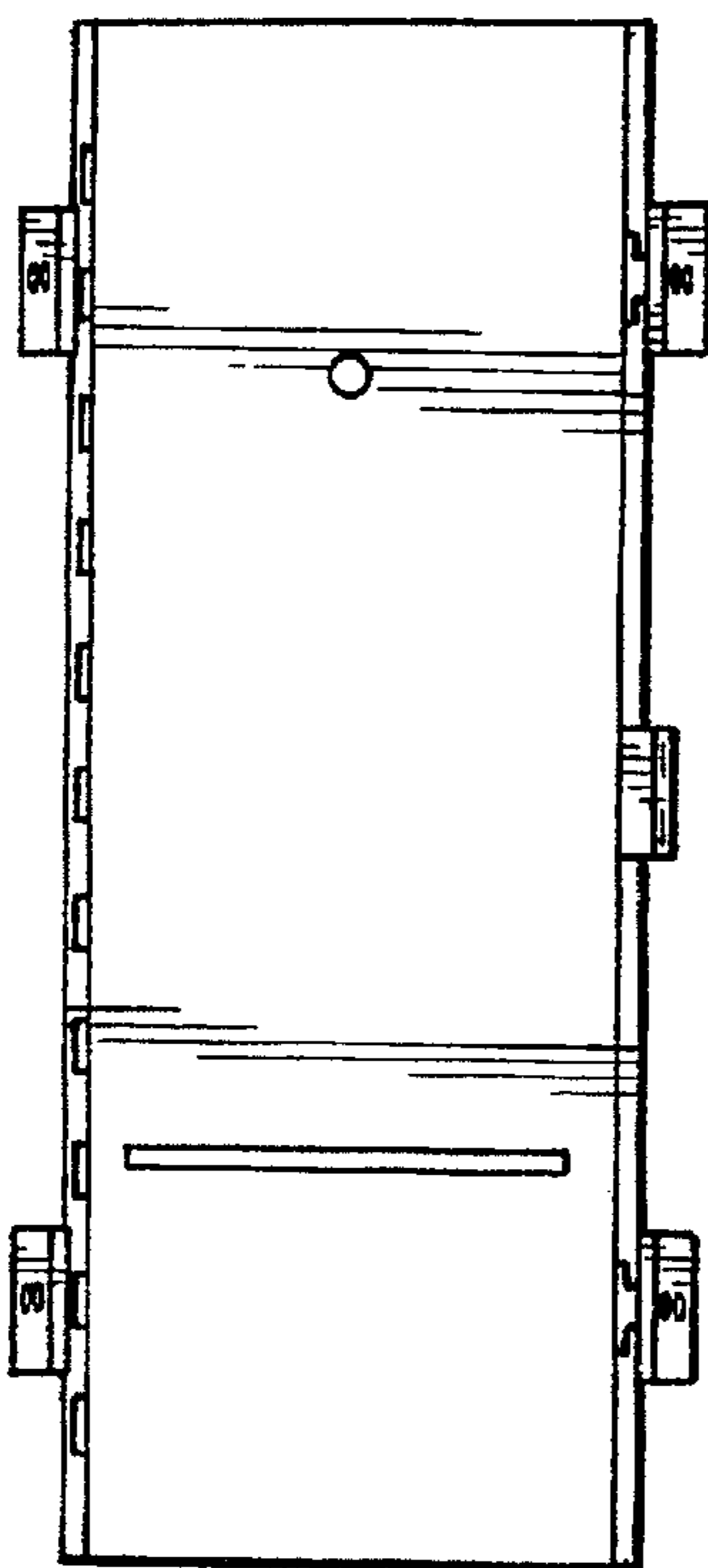


Fig - 6

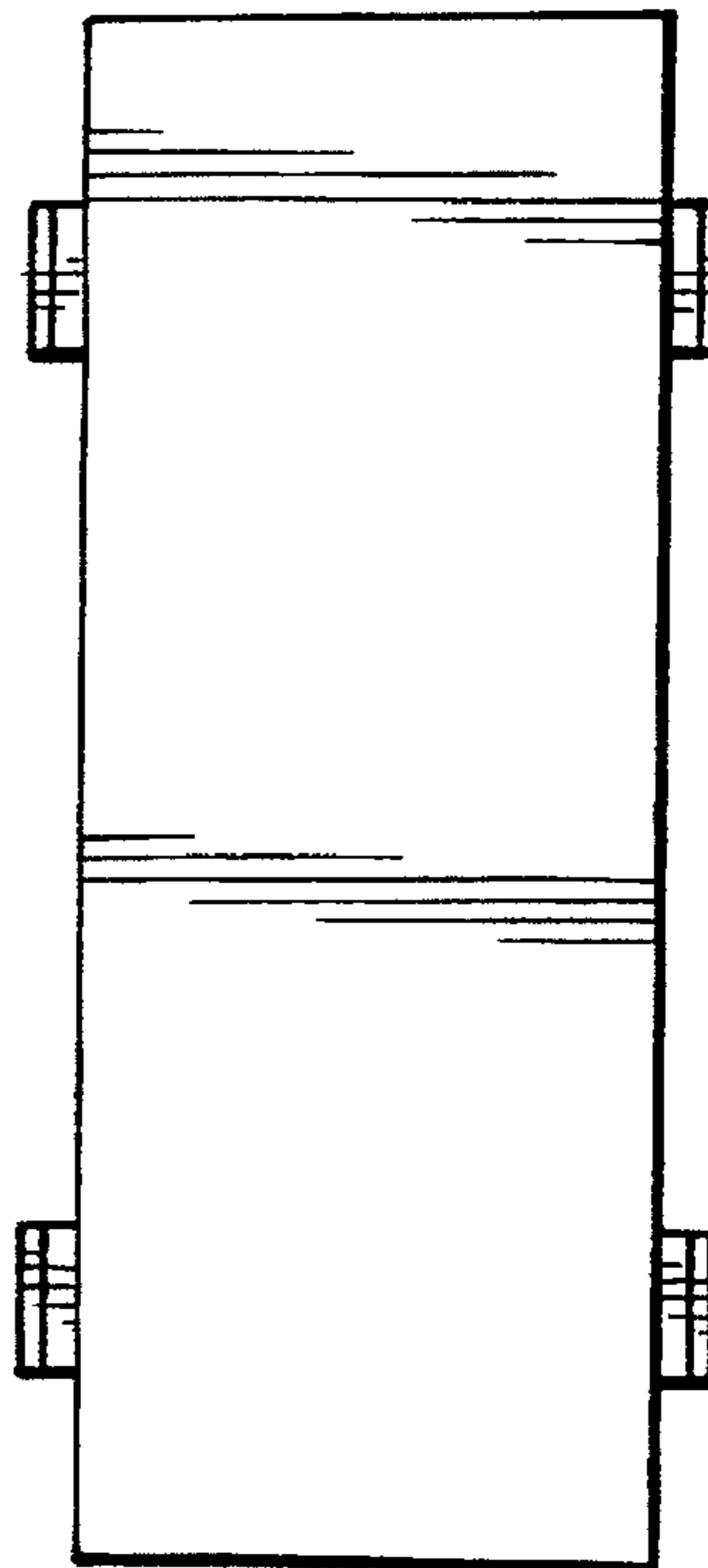


Fig - 7

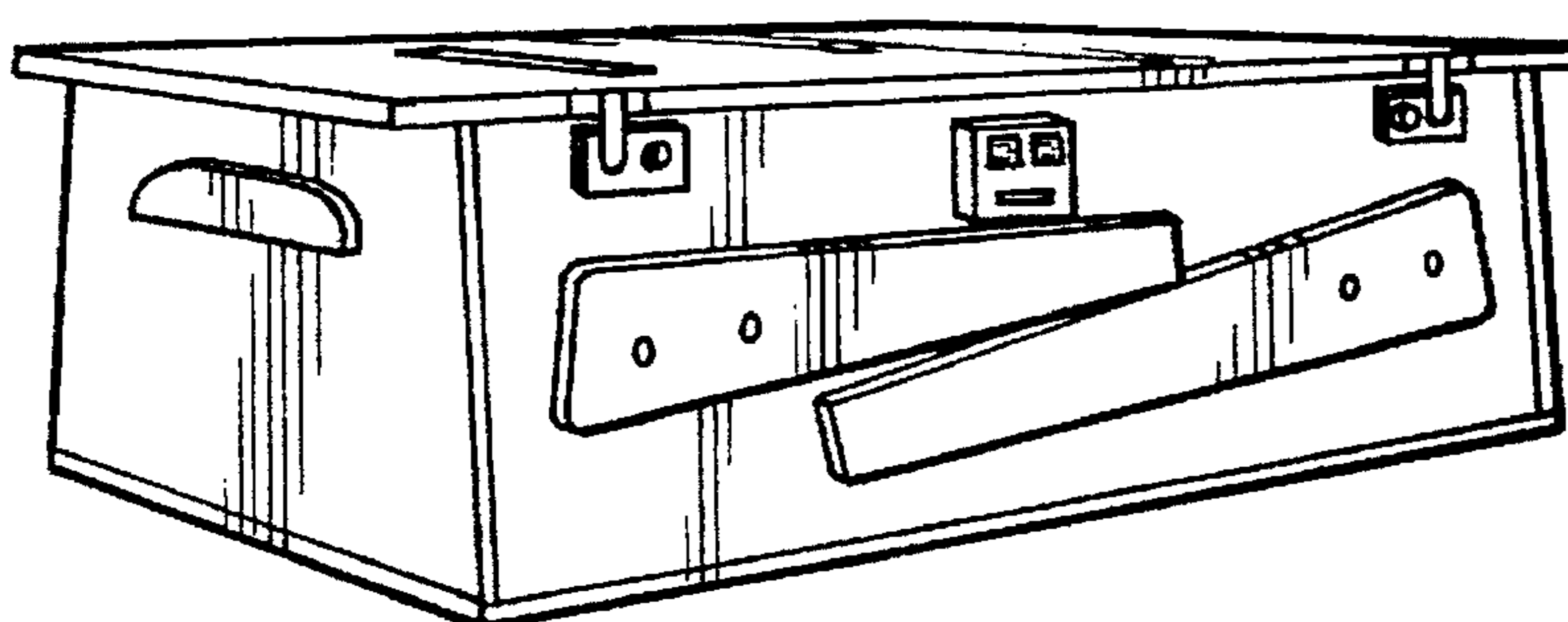


Fig - 8