



US00D379274S

# United States Patent [19]

Ati et al.

[11] Patent Number: **Des. 379,274**

[45] Date of Patent: **\*\*May 20, 1997**

[54] **STAND FOR A VIDEO MONITOR**

[75] Inventors: **Babi P. Ati**, Plano, Tex.; **Peggy R. Devitt**, Colonia; **Pratod V. Kasbekar**, Manalapan, both of N.J.; **Michael J. Nuttall**, Portola Valley, Calif.; **Nick J. Top**, Ieper, Belgium

[73] Assignee: **Lucent Technologies Inc.**, Murray Hill, N.J.

[\*\*] Term: **14 Years**

[21] Appl. No.: **40,590**

[22] Filed: **Jun. 22, 1995**

[51] LOC (6) Cl. .... **06-04**

[52] U.S. Cl. .... **D6/436; D14/102**

[58] Field of Search ..... **D6/432-448; 312/204, 312/257, 223.2, 208.1; D14/133, 102**

[56] **References Cited**

**U.S. PATENT DOCUMENTS**

D. 233,374 10/1974 Firdmann ..... D6/445

- D. 308,378 6/1990 Shinoda et al. .... D14/135
- D. 320,126 9/1991 Miller ..... D6/436
- D. 350,863 9/1994 Takahashi ..... D6/429
- D. 354,486 1/1995 Morita et al. .... D14/135

*Primary Examiner*—Janice E. Seeger  
*Attorney, Agent, or Firm*—Samuel R. Williamson

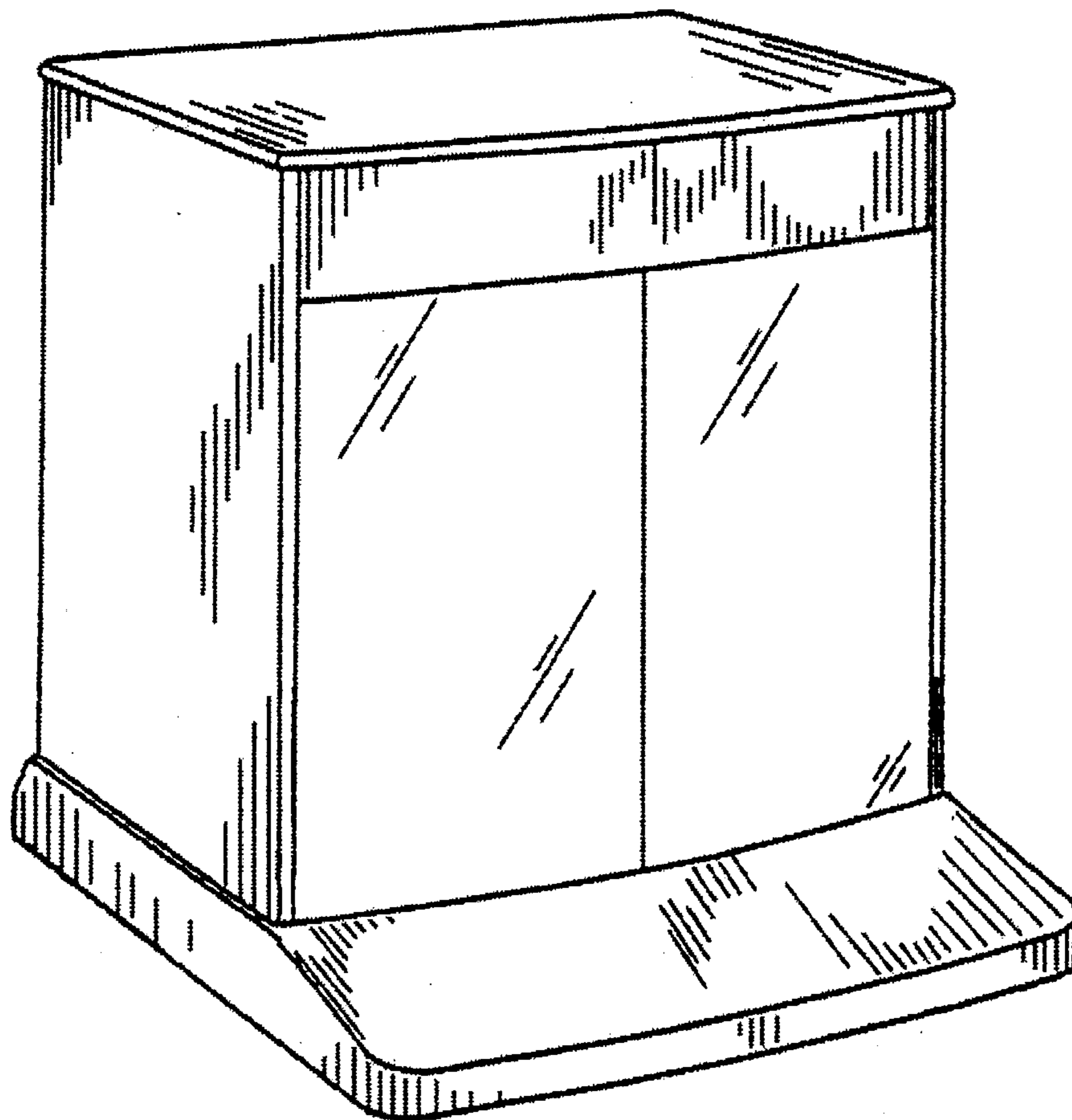
[57] **CLAIM**

The ornamental design of a stand for a video monitor, as shown and described.

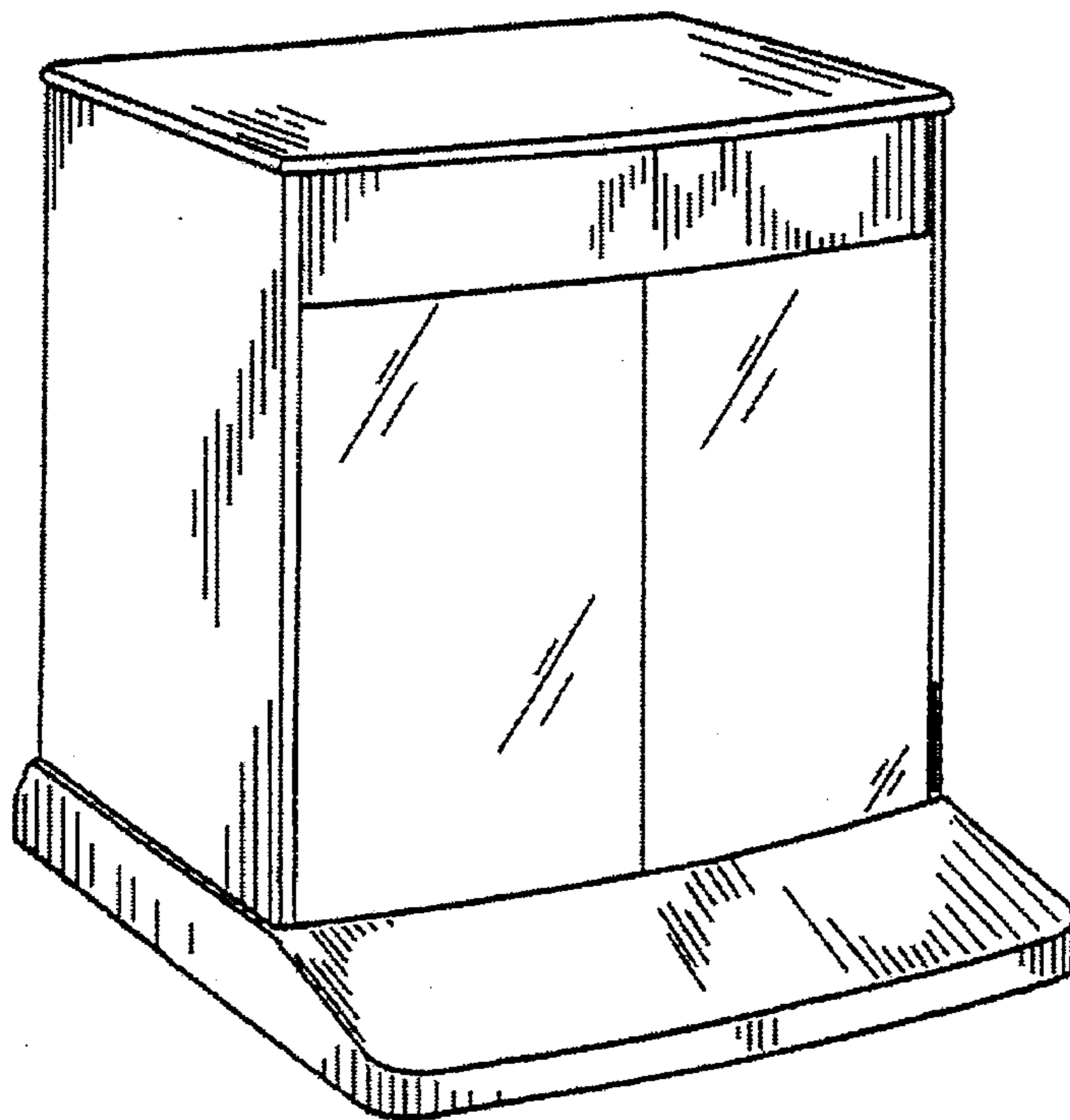
**DESCRIPTION**

FIG. 1 is a top, front and left side perspective view of stand for a video monitor showing our new design;  
FIG. 2 is a front perspective view thereof;  
FIG. 3 is a rear perspective view thereof;  
FIG. 4 is a side perspective view thereof, the opposite side being essentially a mirror image of the side shown;  
FIG. 5 is a top perspective view thereof; and,  
FIG. 6 is a bottom perspective view thereof.

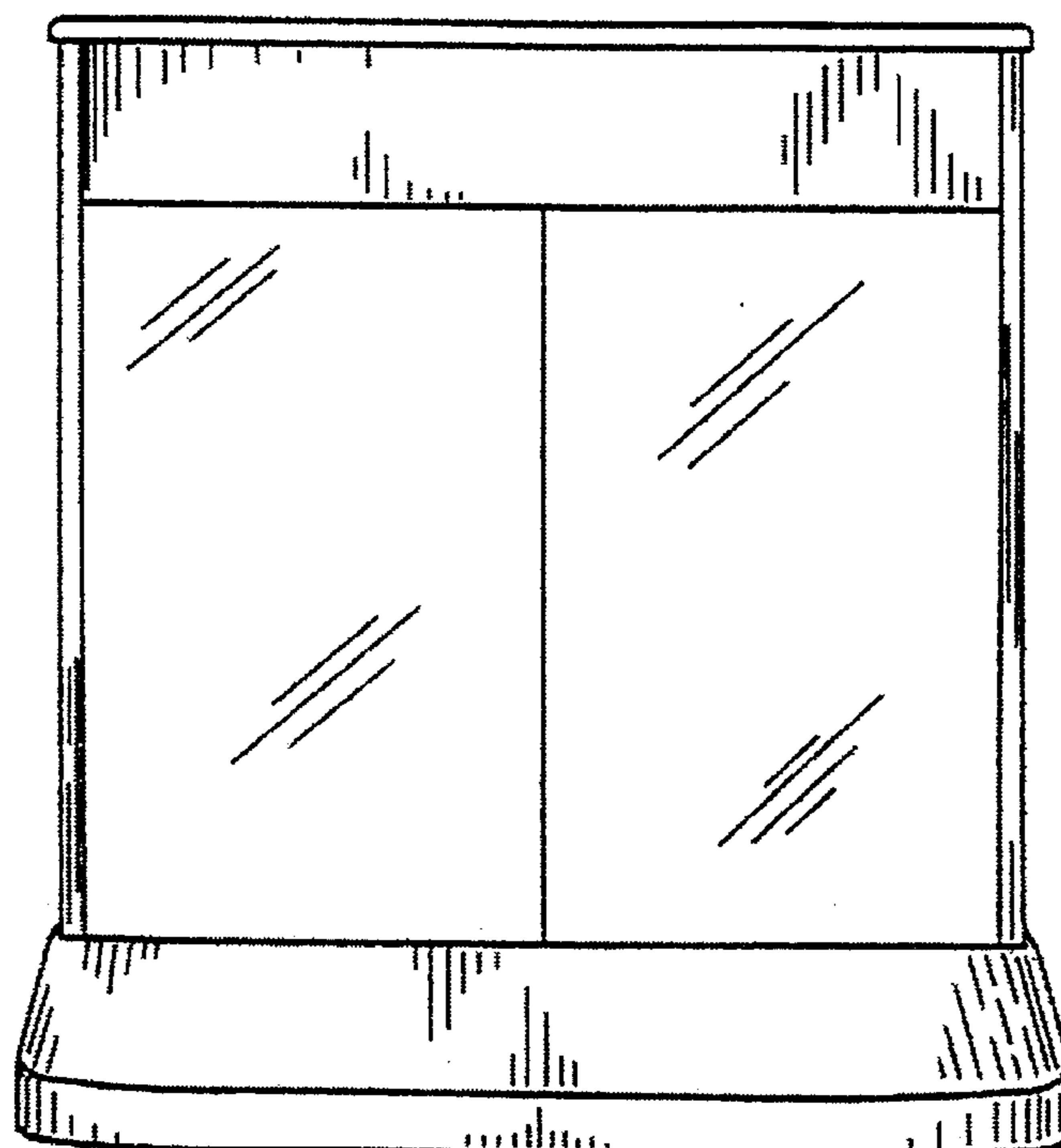
**1 Claim, 3 Drawing Sheets**



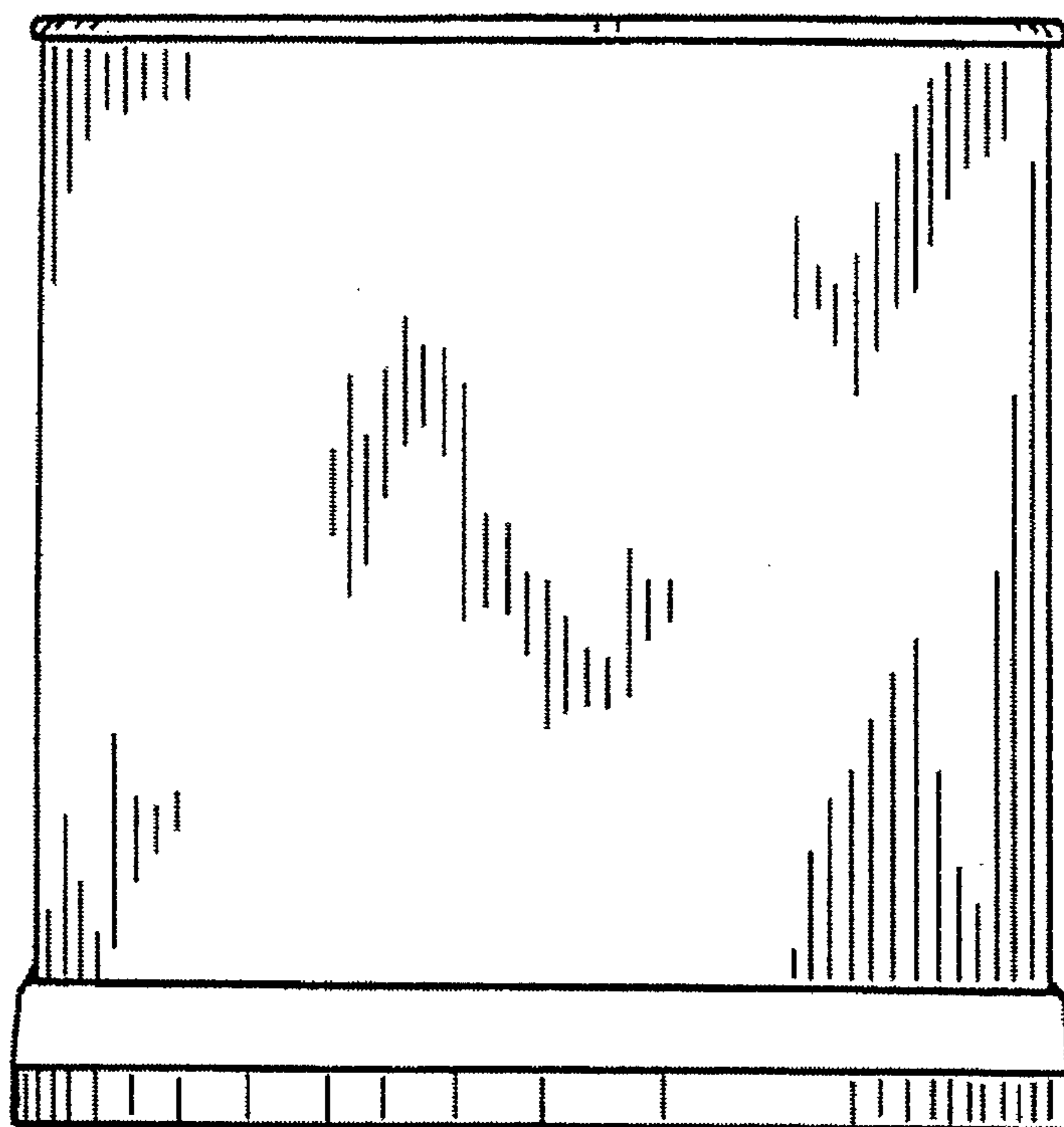
*FIG. 1*



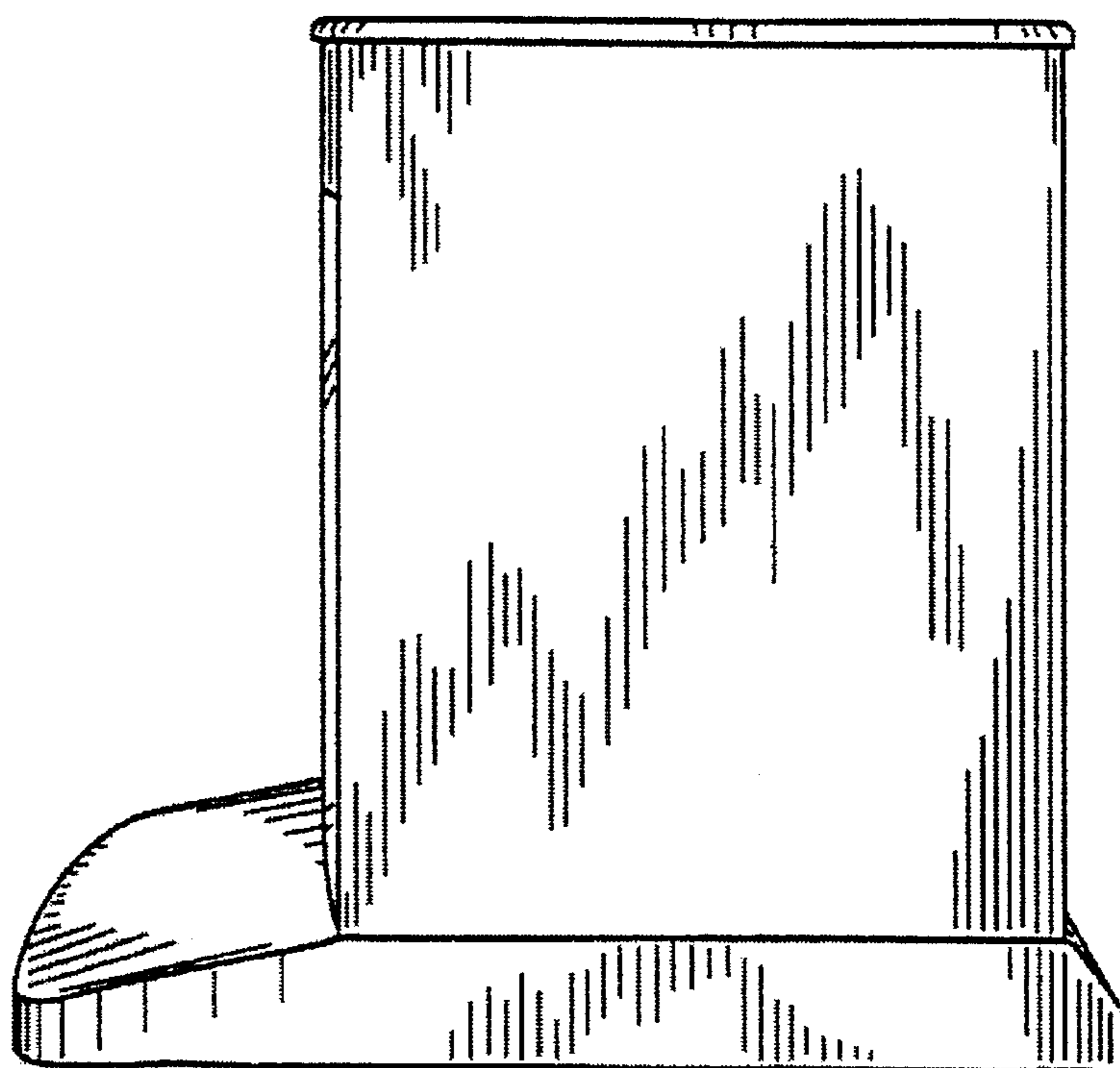
*FIG. 2*



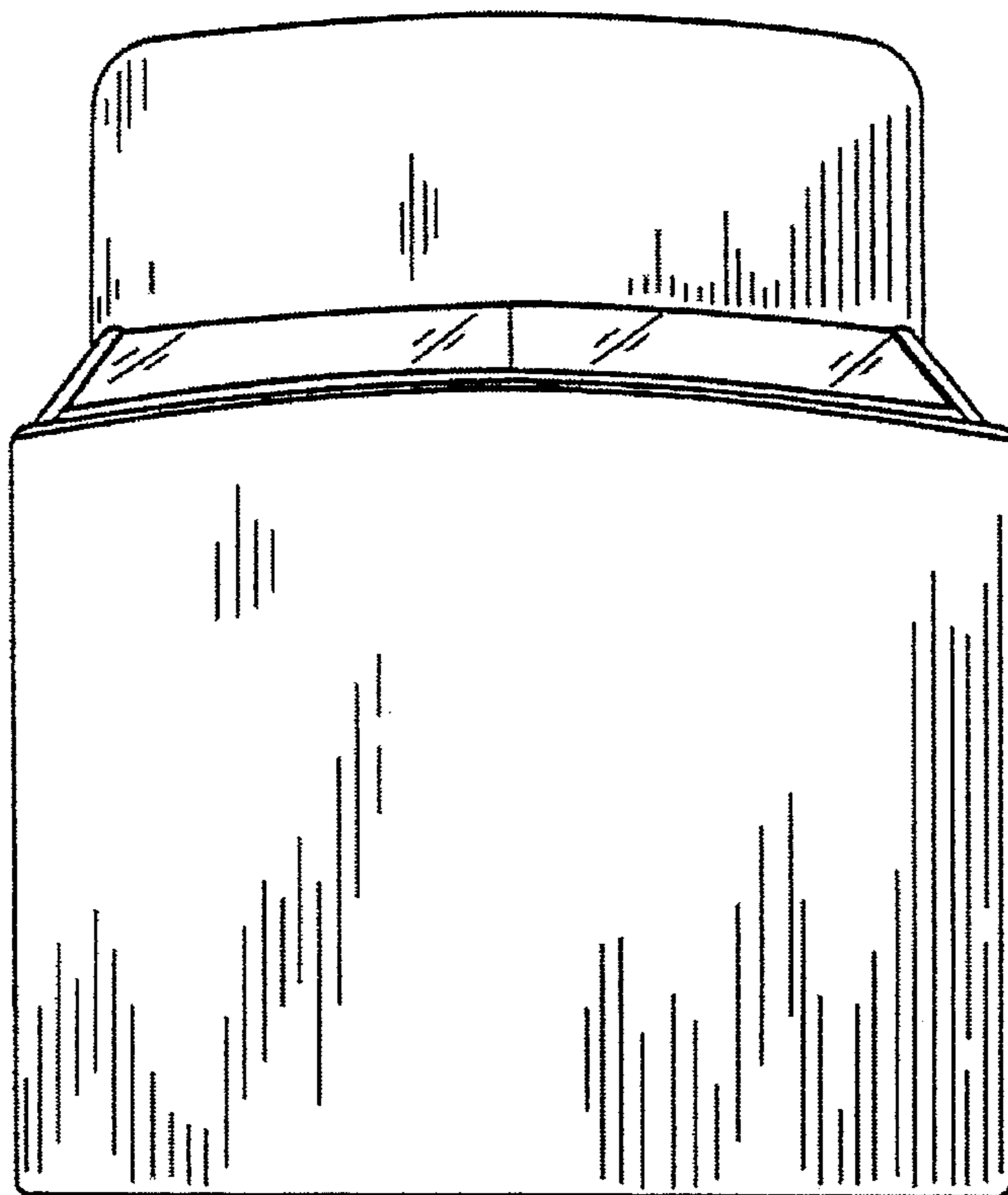
*FIG. 3*



*FIG. 4*



*FIG. 5*



*FIG. 6*

