



US00D379273S

United States Patent [19] Sims

[11] Patent Number: **Des. 379,273**
[45] Date of Patent: ****May 20, 1997**

[54] **DESK/WORK TABLE**
[75] Inventor: **John Sims**, High Wycombe, England
[73] Assignee: **Ergonomic Workstations Limited**,
Buckinghamshire, United Kingdom
[**] Term: **14 Years**
[21] Appl. No.: **45,192**
[22] Filed: **Oct. 12, 1995**

D. 353,959 1/1995 Kovacevic D6/482
D. 355,547 2/1995 Liston .

OTHER PUBLICATIONS

Jensen "Responsive Furniture" brochure, F Jensen Limited (6 pages).
Arbeitsplätze CAD 2000 Brochure, Fleischer Büro-und EDV-Möbelsysteme GmbH & Co KG (8 pages).

Primary Examiner—Carmen H. Vales-Lado
Attorney, Agent, or Firm—Jacobson, Price, Holman & Stern, PLLC

Related U.S. Application Data

[63] Continuation of Ser. No. 11,302, Jul. 30, 1993, abandoned.

[30] Foreign Application Priority Data

Feb. 5, 1993 [GB] United Kingdom 2028927

[51] **LOC (6) Cl.** **06-03**
[52] **U.S. Cl.** **D6/431; D6/426; D6/427;**
D6/474
[58] **Field of Search** D6/396, 397, 422-431,
D6/480, 482, 484, 474; 312/194-196; 108/59,
60, 64

[56] References Cited

U.S. PATENT DOCUMENTS

D. 114,203 4/1939 Wright D6/426
D. 168,525 12/1952 Thomas .
D. 169,388 4/1953 Placke .
D. 227,328 6/1973 San Viovanni D6/423 X
D. 266,467 10/1982 Ylänkä D6/431
D. 273,449 4/1984 Wieczorek D6/426
D. 291,751 9/1987 Salvato .
D. 315,261 3/1991 Ng et al. D6/426
D. 344,198 2/1994 Weinberger D6/428

[57] CLAIM

The ornamental design for a desk/work table, as shown and described.

DESCRIPTION

FIG. 1 is a front perspective view of a desk/work table showing my design, with a corner section thereof raised; FIG. 2 a rear perspective view from one side thereof, with a corner section raised; FIG. 3 is a rear perspective view from one side thereof, with a corner section lowered; FIG. 4 is a front perspective view, with a corner section lowered; FIG. 5 is a top plan view thereof; FIG. 6 is a side elevational view with the corner section lowered; FIG. 7 is a side elevational view with the corner section raised; FIG. 8 is a front elevational view with the corner section lowered; and, FIG. 9 is a front elevational view with the corner section raised.

1 Claim, 5 Drawing Sheets

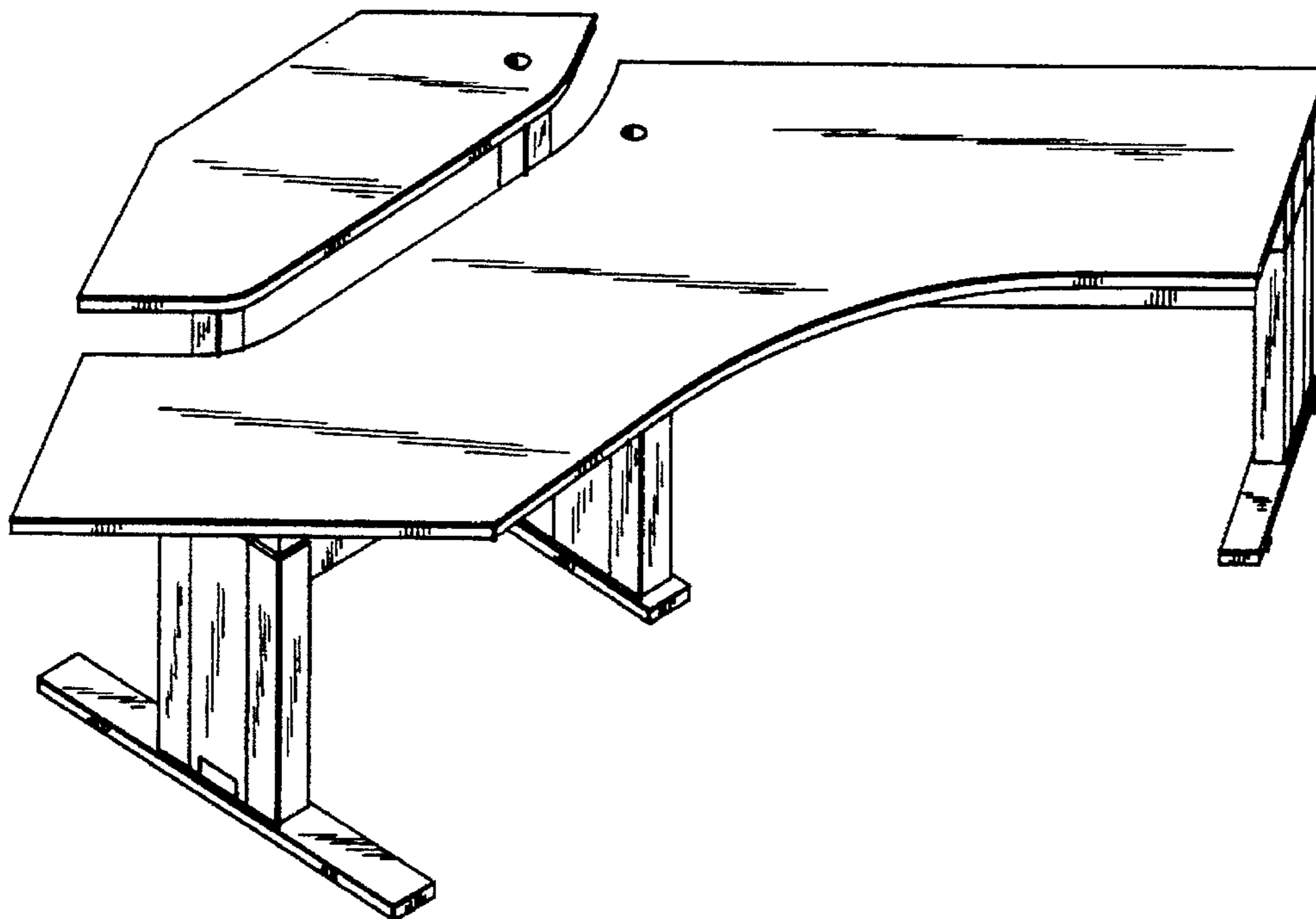


FIG. 1

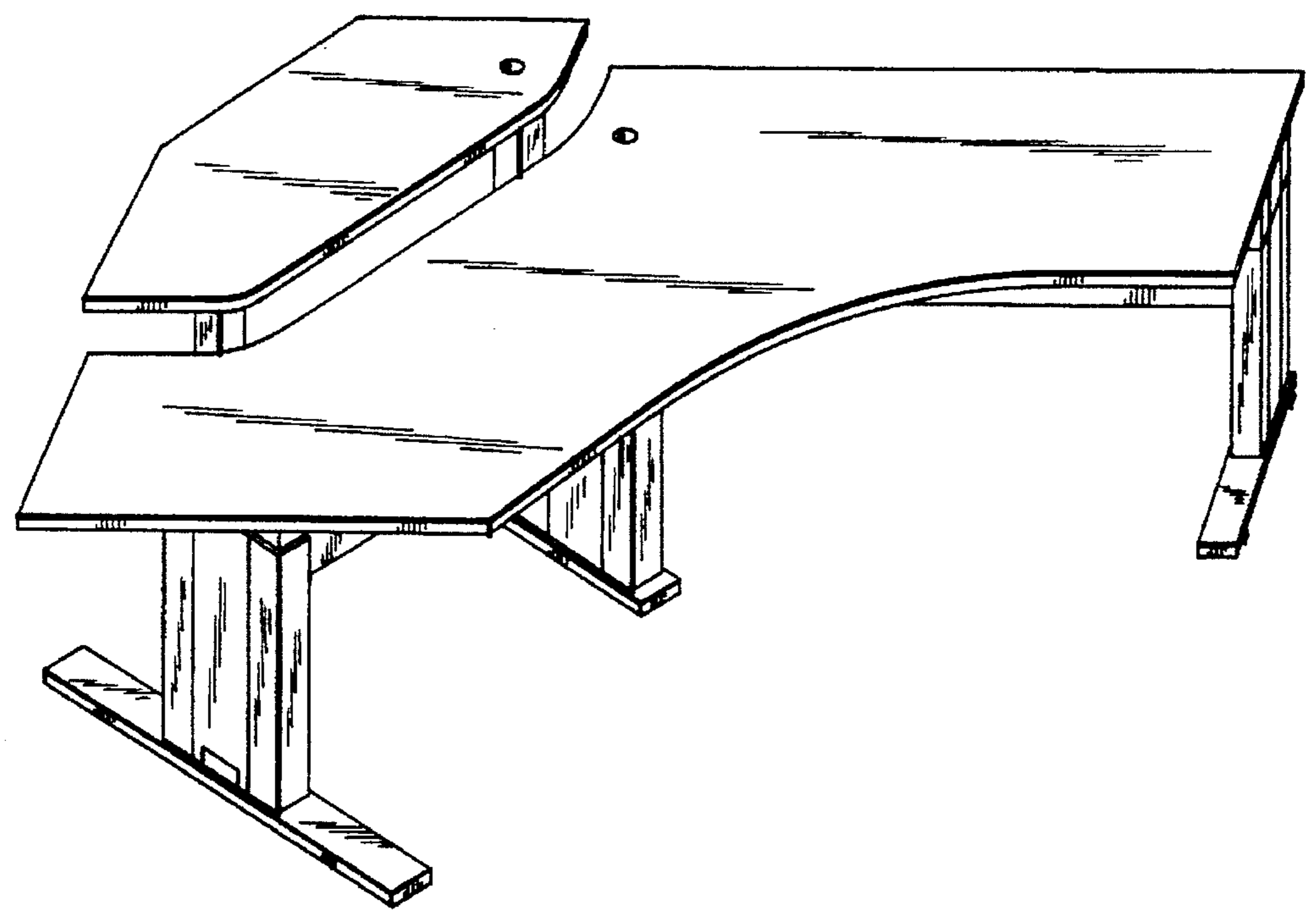


FIG. 4

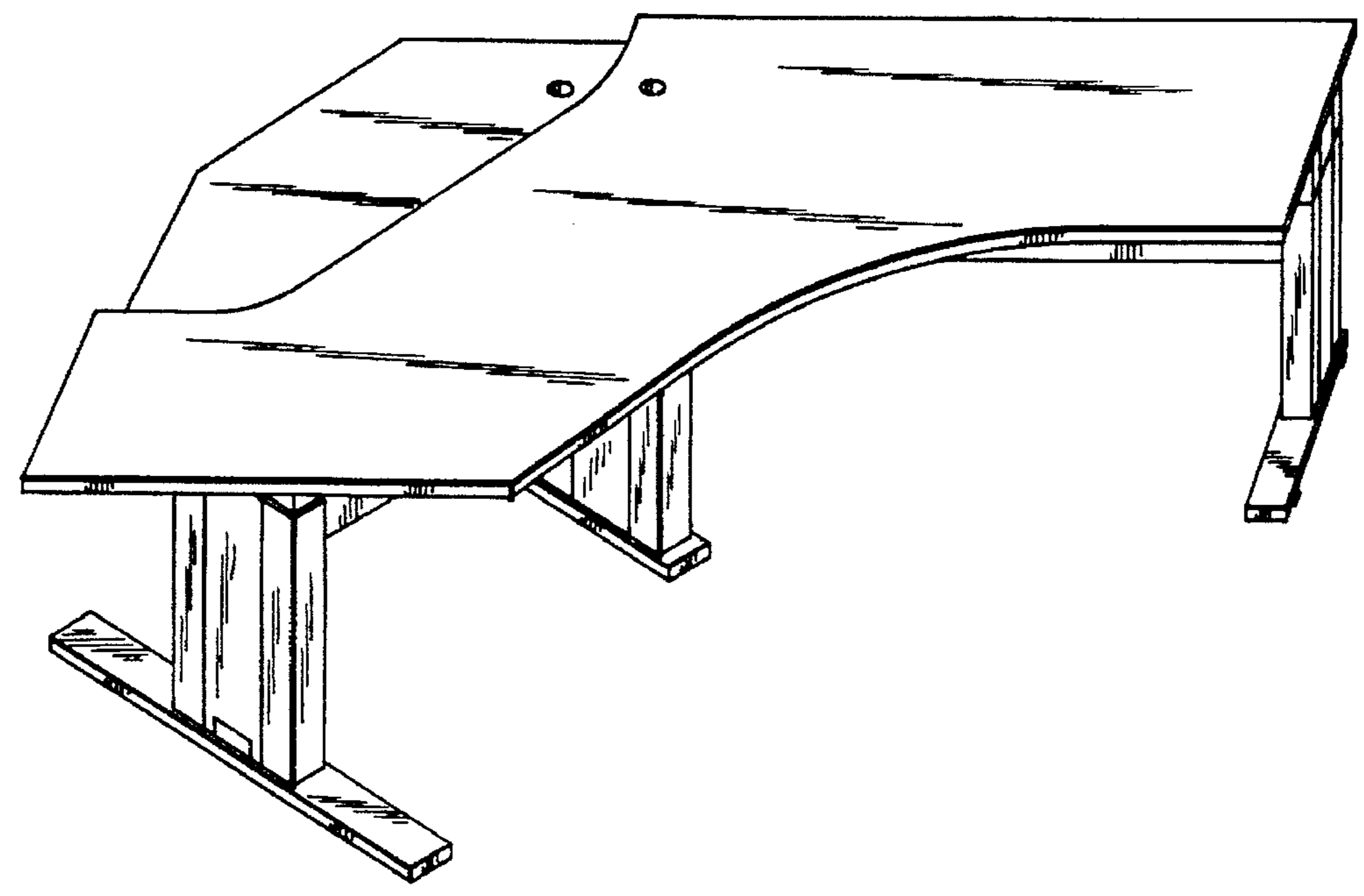


FIG. 2

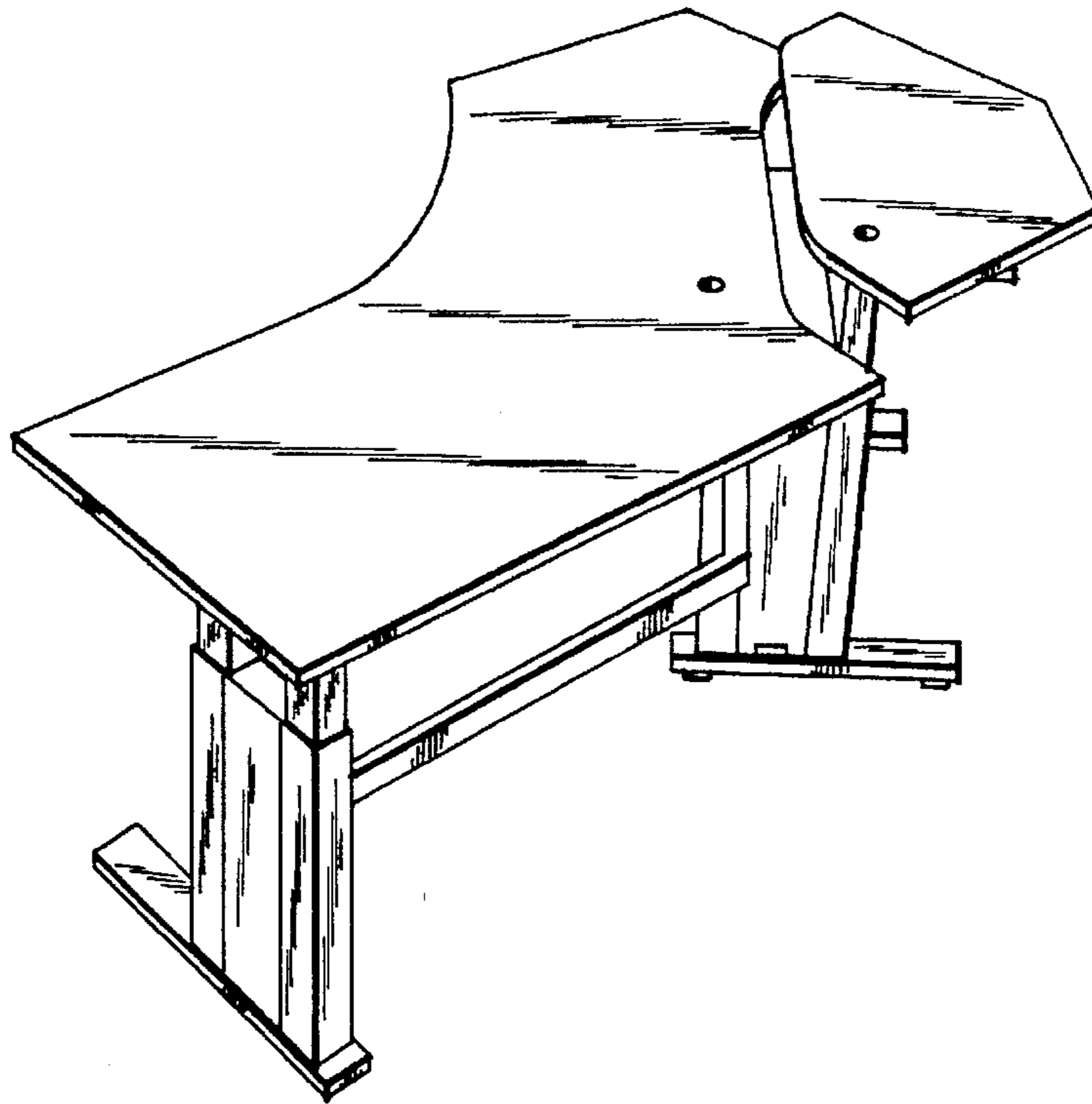


FIG. 3

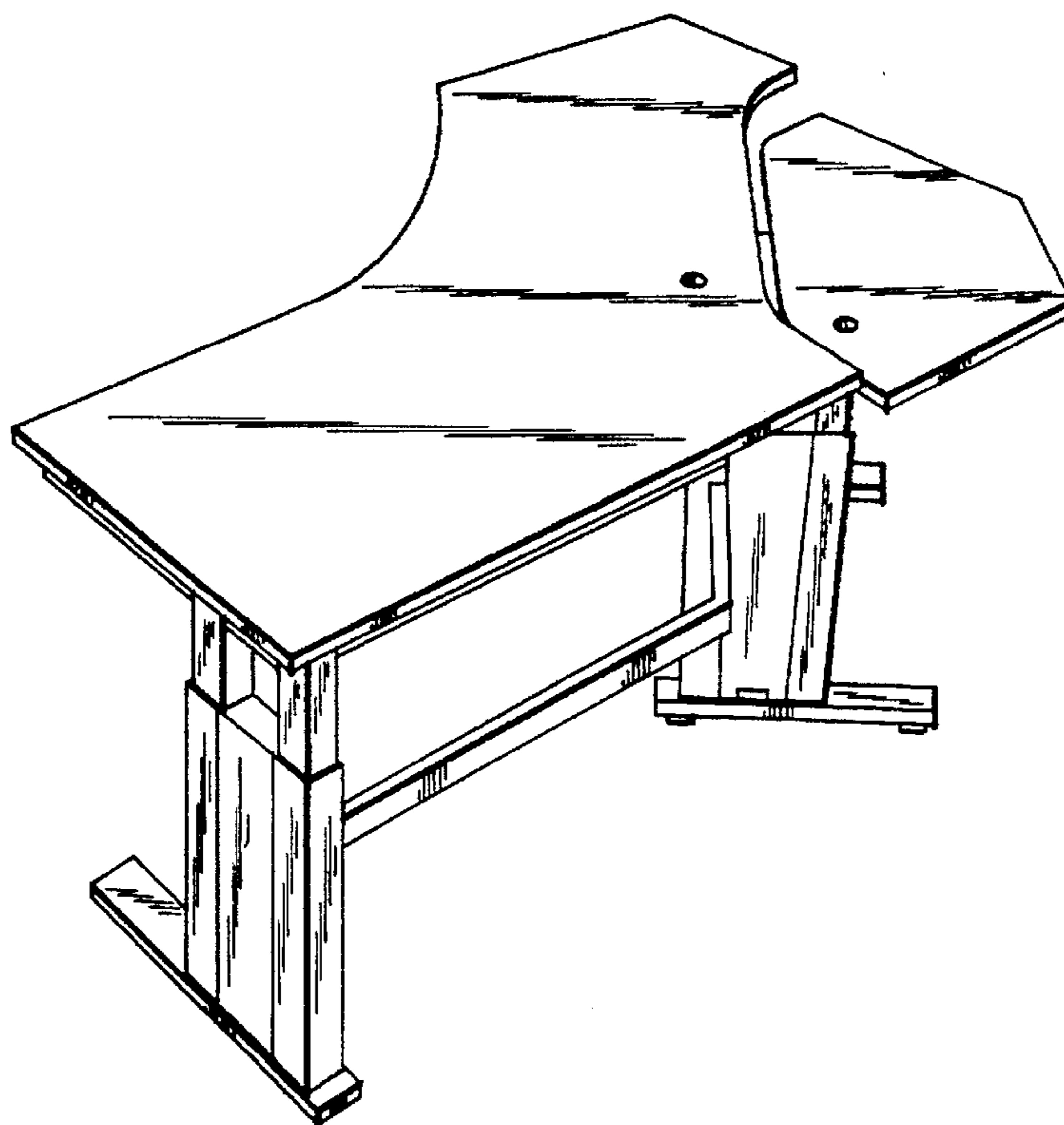


FIG. 5

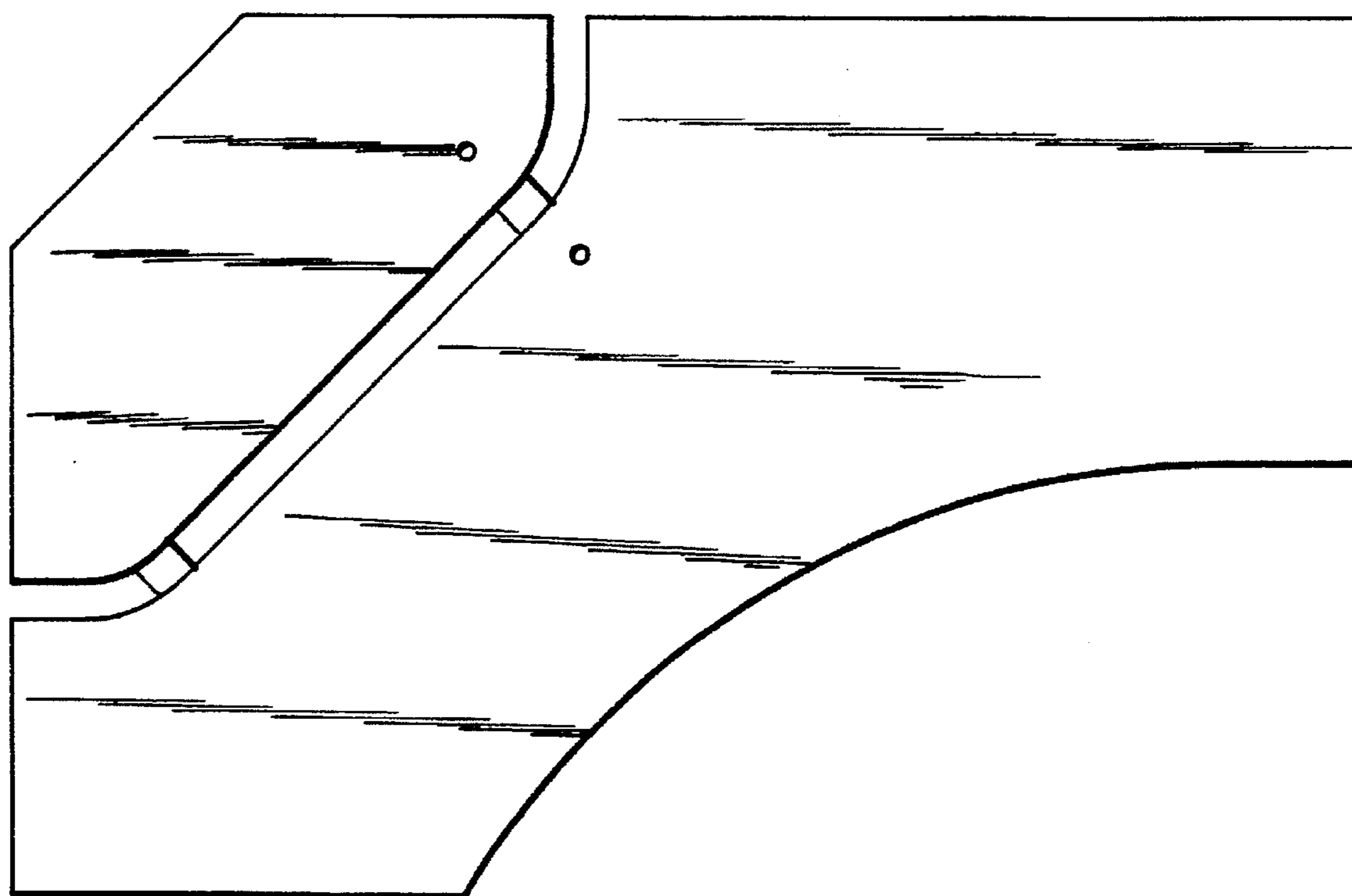


FIG. 6

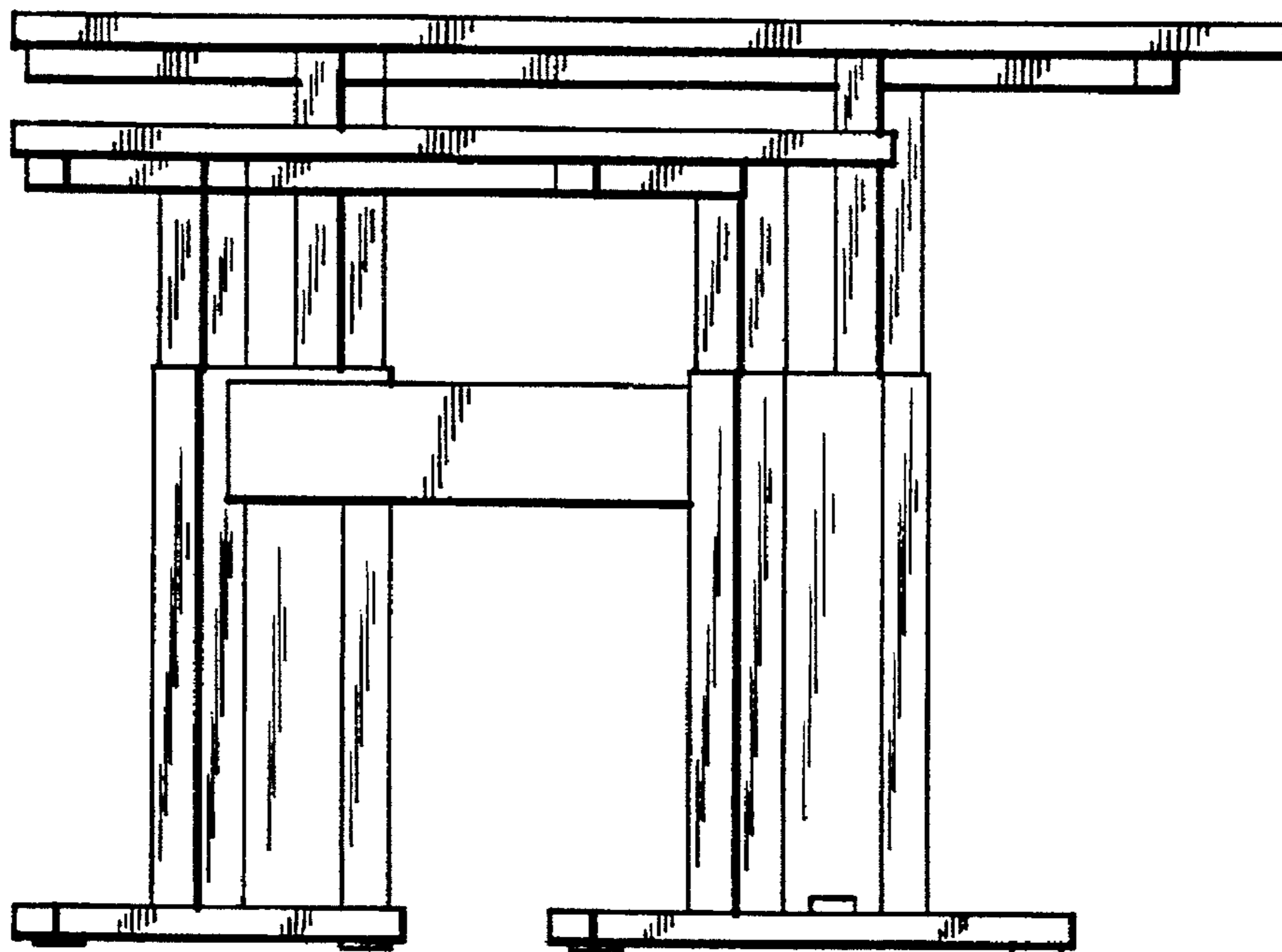


FIG. 7

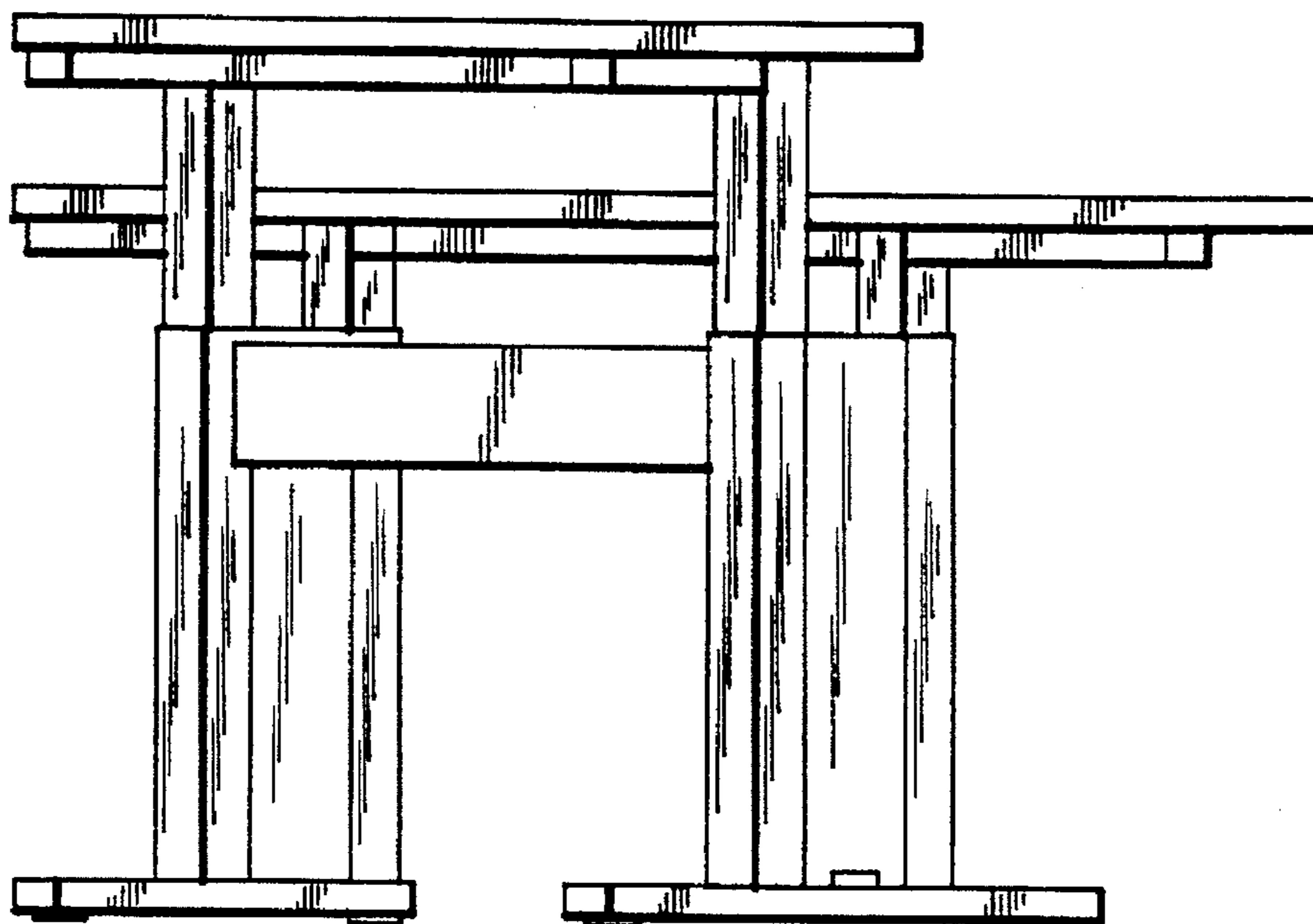


FIG. 8

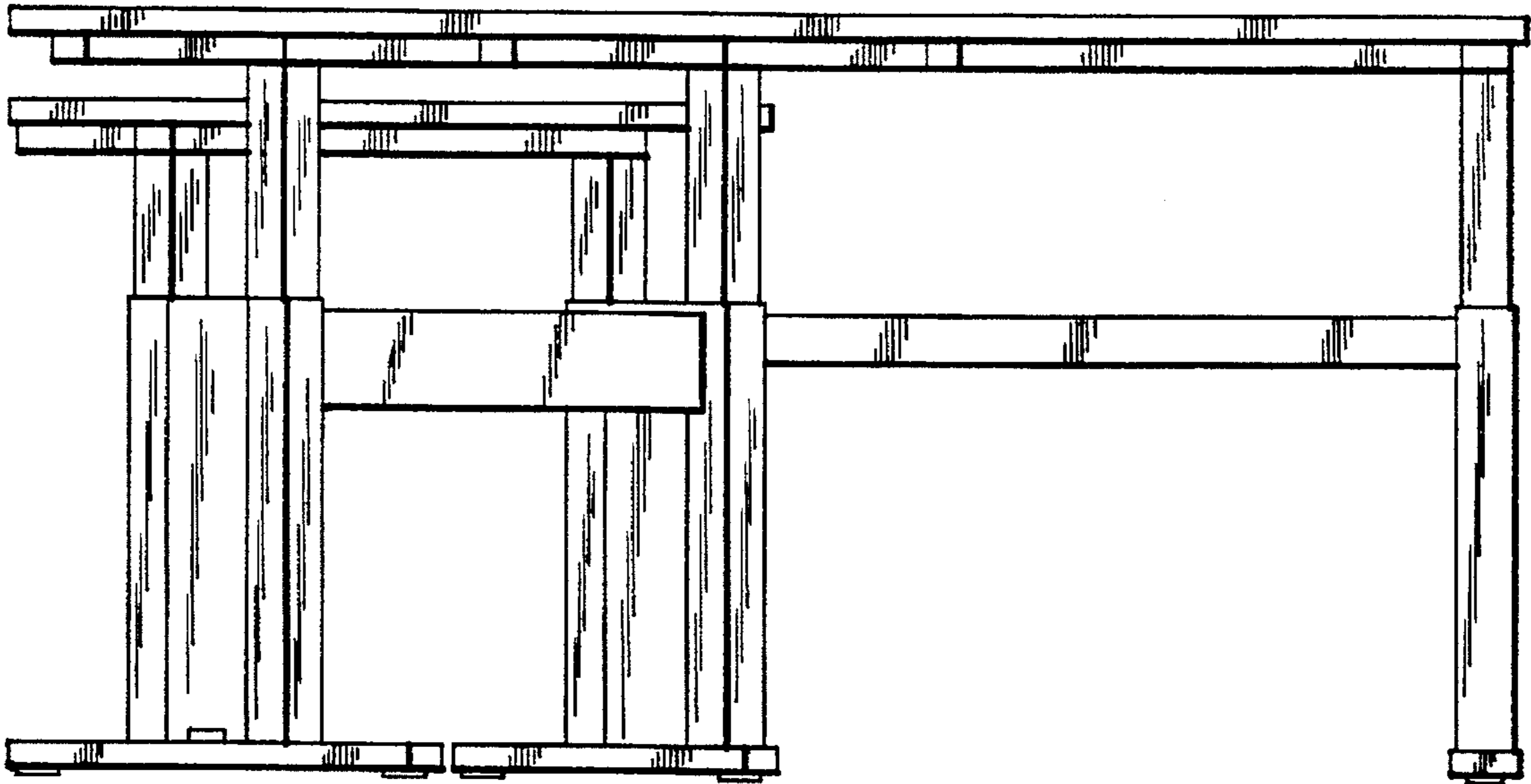


FIG. 9

