



US00D379271S

United States Patent [19] Starck

[11] Patent Number: **Des. 379,271**
[45] Date of Patent: ****May 20, 1997**

[54] **FOOT REST**

D. 340,301 10/1993 Evans et al. D26/58
4,813,742 3/1989 Cardinael 297/423.41

[75] Inventor: **Philippe Starck, Paris, France**

[73] Assignee: **Protoned B.V.**

[**] Term: **14 Years**

Primary Examiner—Janice E. Seeger
Attorney, Agent, or Firm—Selitto & Associates

[21] Appl. No.: **37,243**

[22] Filed: **Apr. 7, 1995**

[57] **CLAIM**

The ornamental design for a foot rest, as shown and described.

[30] **Foreign Application Priority Data**

Oct. 7, 1994 [CH] Switzerland 3029/94

DESCRIPTION

[51] **LOC (6) Cl.** **06-01**

[52] **U.S. Cl.** **D6/349**

[58] **Field of Search** D6/349-355, 484;
297/423.1, 423.39, 423.41, 423.44, 423.45,
423.46, 461, 462

FIG. 1 is a perspective view of a foot rest showing my new design;

FIG. 2 is an exploded perspective view thereof;

FIG. 3 is a rear elevational view thereof;

FIG. 4 is a top plan view thereof;

FIG. 5 is a right side elevational view, the left side being a mirror image of FIG. 5;

FIG. 6 is a front elevational view thereof; and,

FIG. 7 is a bottom plan view thereof.

[56] **References Cited**

U.S. PATENT DOCUMENTS

D. 246,142 10/1977 Heumann D6/349

1 Claim, 3 Drawing Sheets

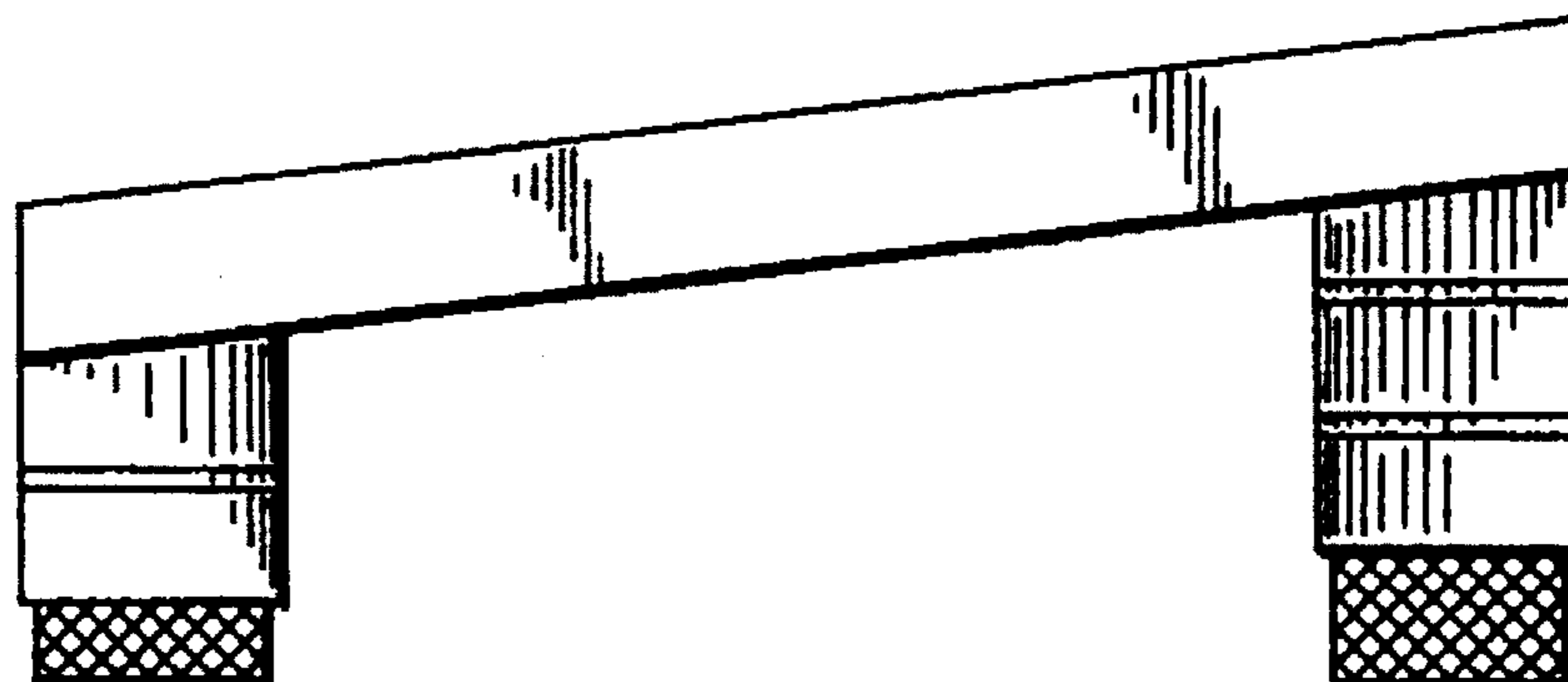
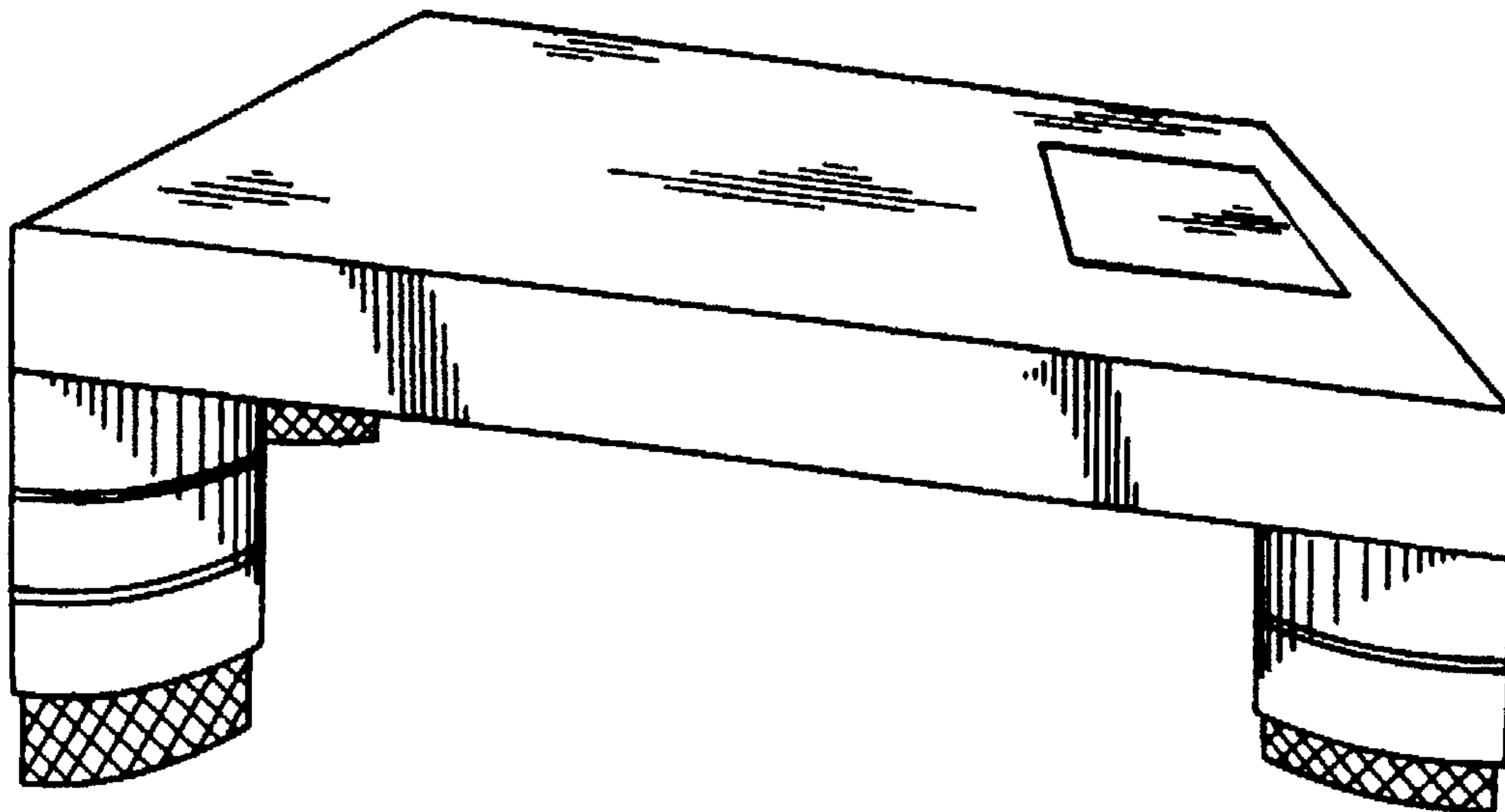


FIG. 1

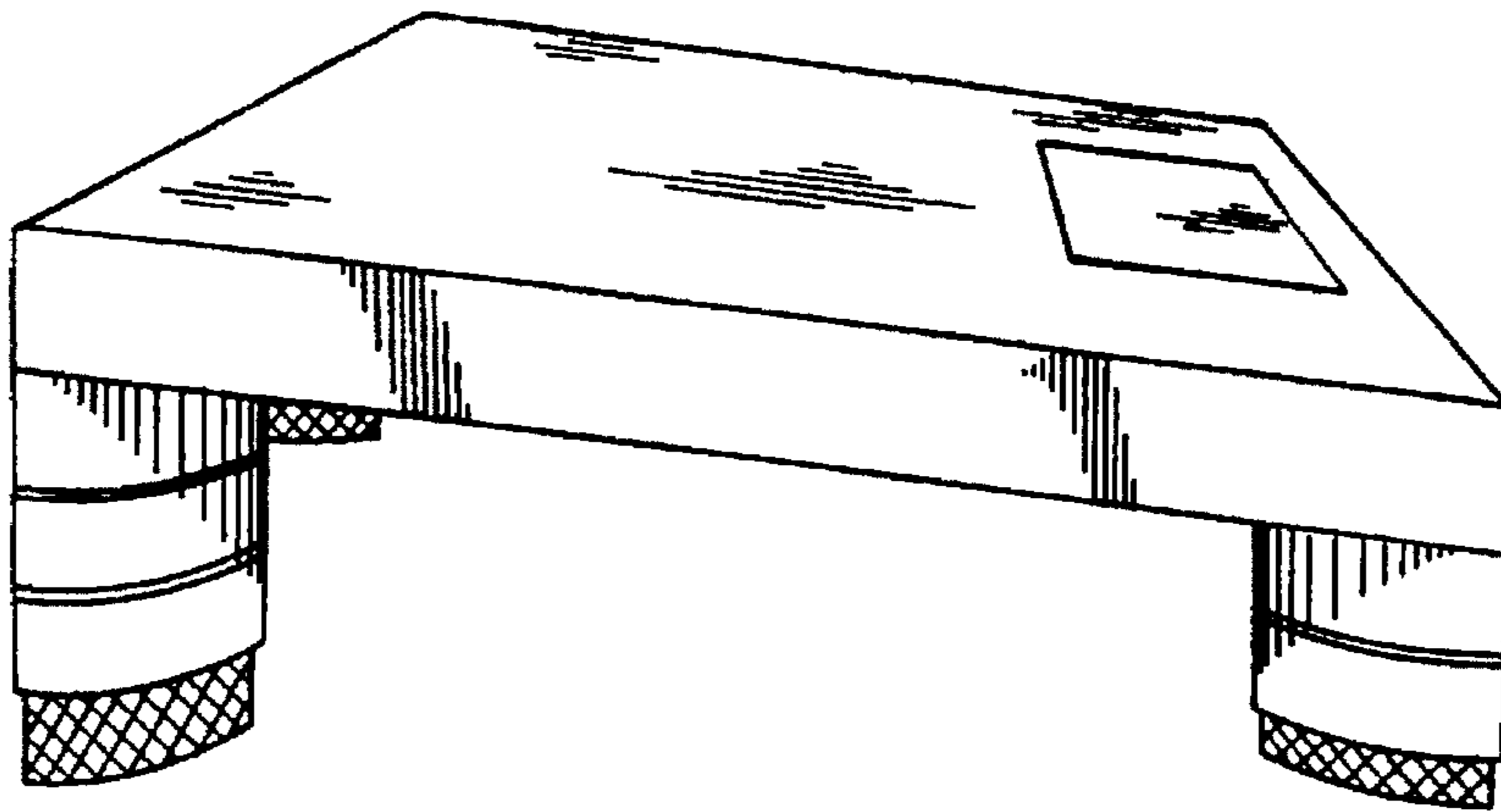


FIG. 2

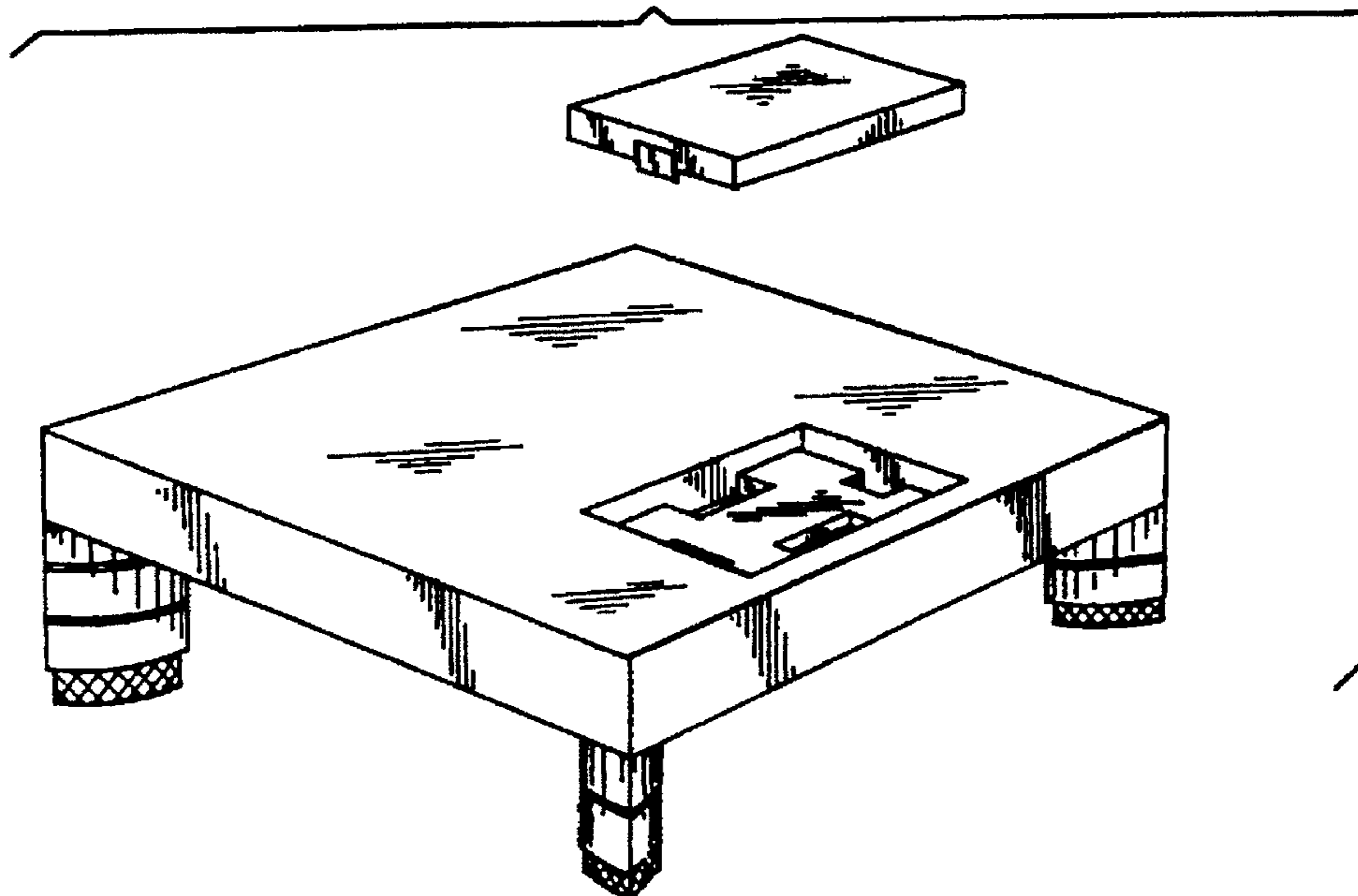


FIG. 3

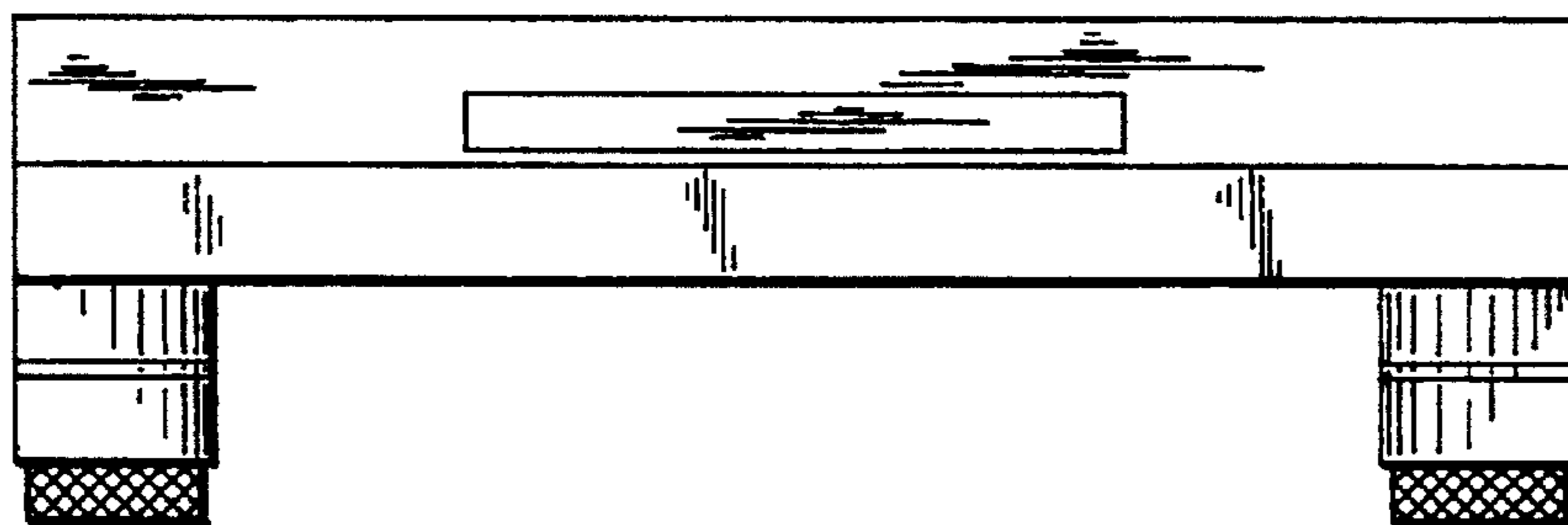


FIG. 4

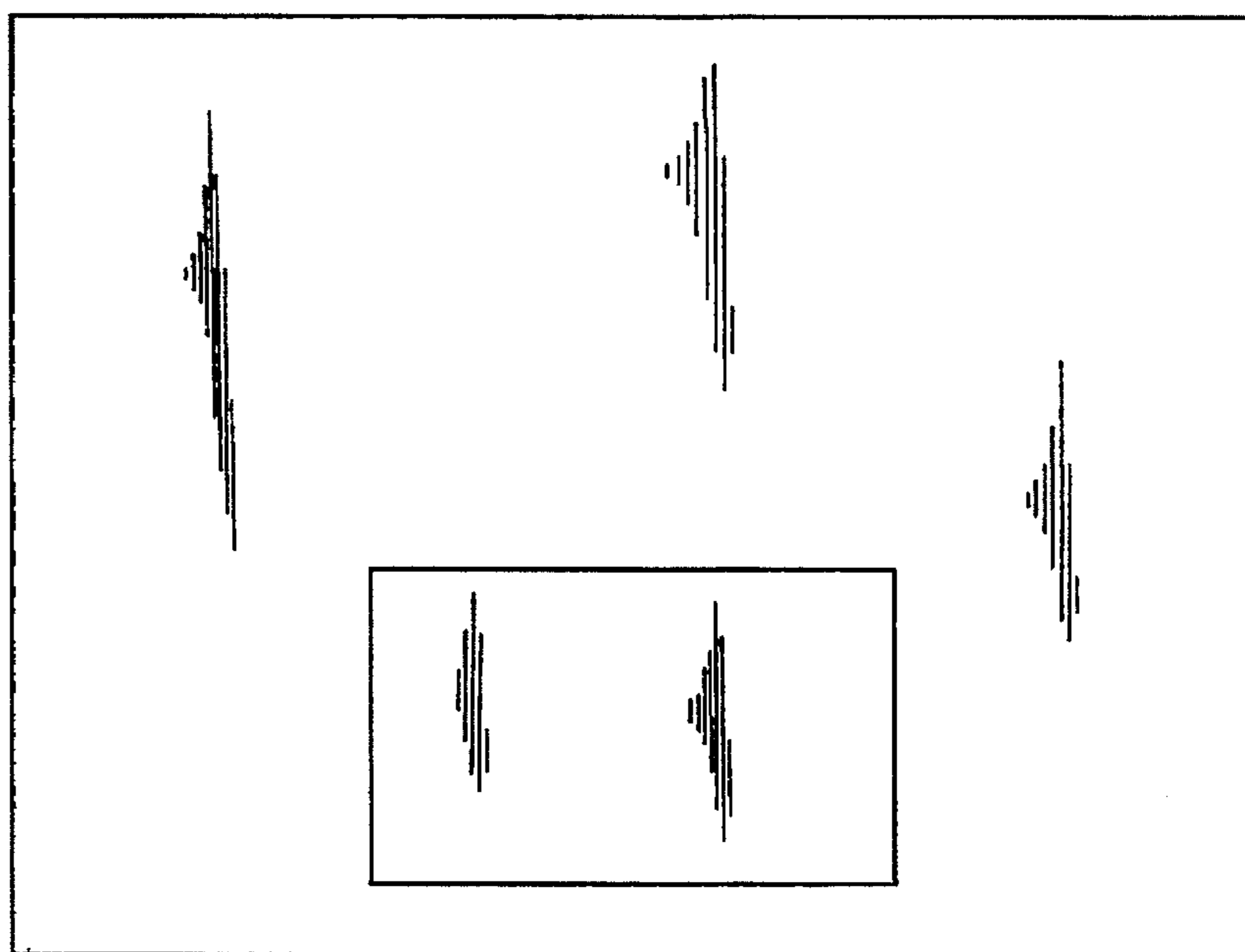


FIG. 5

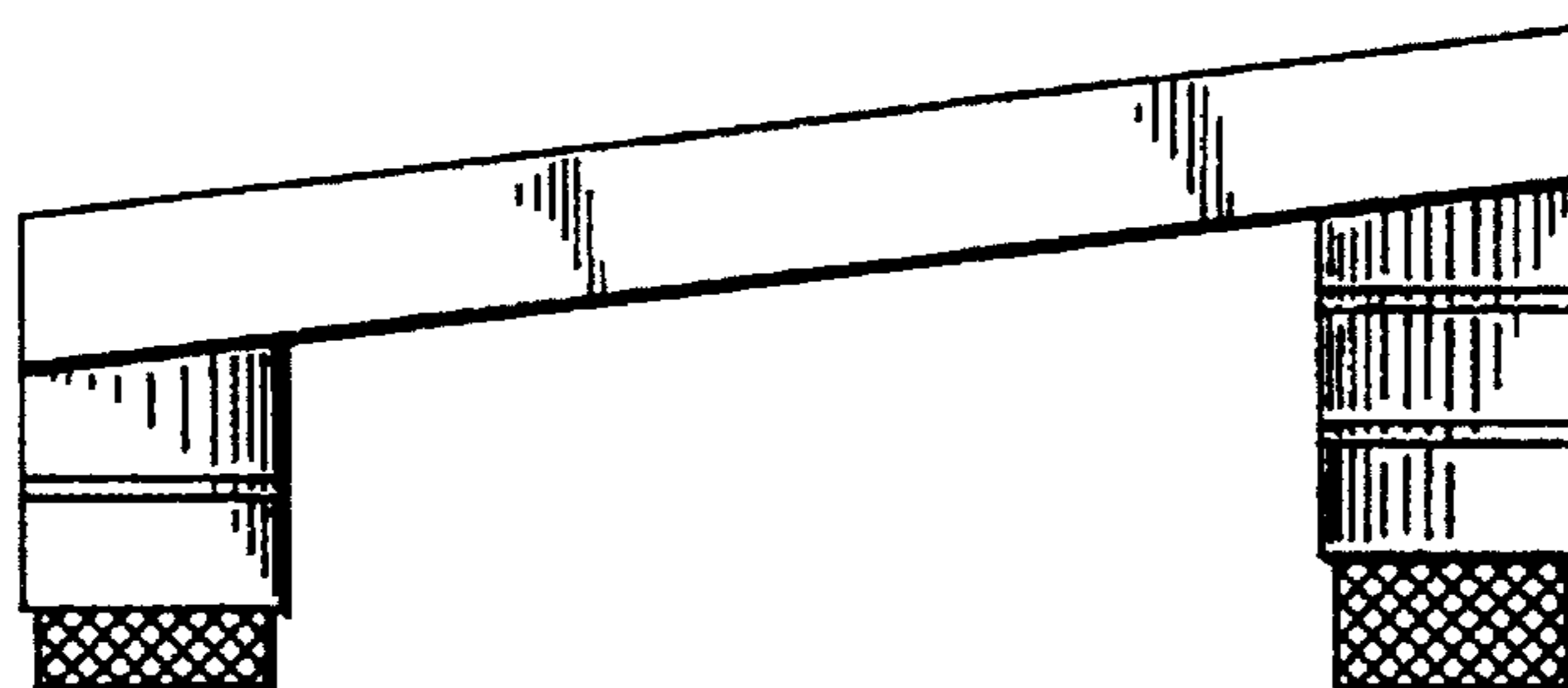


FIG. 6

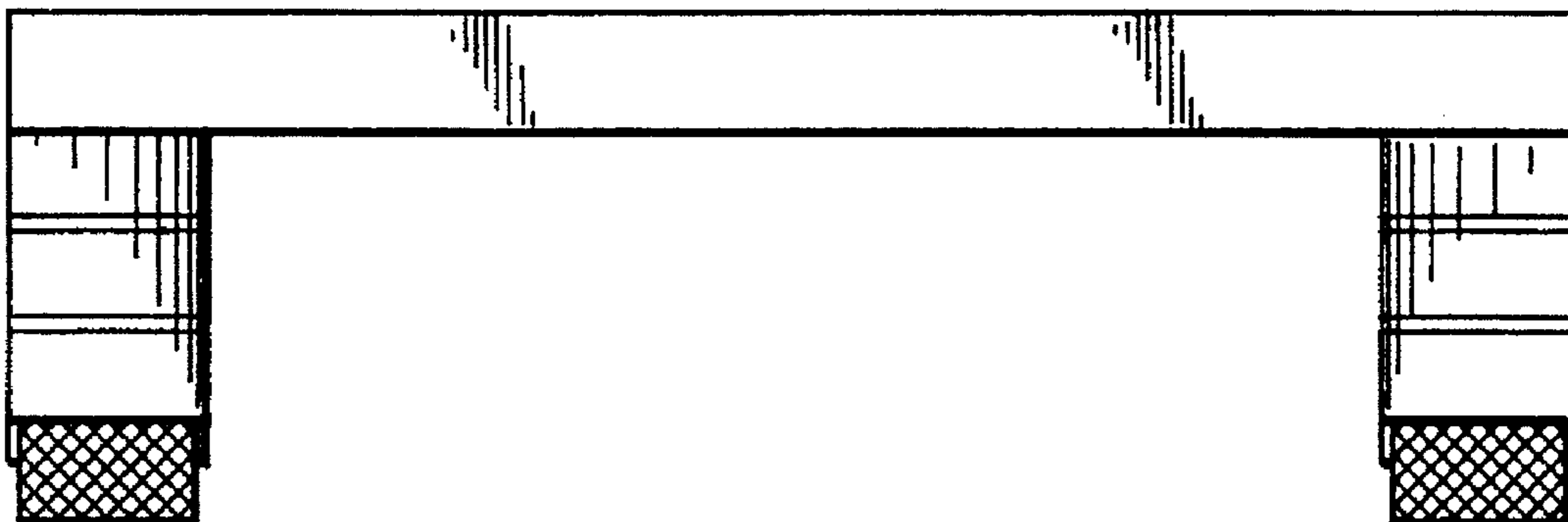


FIG. 7

