



US00D379269S

**United States Patent** [19]  
**Hutton**

[11] **Patent Number: Des. 379,269**

[45] **Date of Patent: \*\*\*May 20, 1997**

[54] **SERPENTINE CLUB CHAIR**

[75] **Inventor: John Hutton, New York, N.Y.**

[73] **Assignee: Donghia Furniture, New York, N.Y.**

[\*] **Notice:** The portion of the term of this patent subsequent to Sep. 3, 2010, has been disclaimed.

[\*\*] **Term: 14 Years**

[21] **Appl. No.: 44,582**

[22] **Filed: Sep. 26, 1995**

[51] **LOC (6) Cl. .... 06-01**

[52] **U.S. Cl. .... D6/334**

[58] **Field of Search .... D6/334, 335, 371, D6/373, 381, 500, 501, 502; 297/232, 446.1**

[56] **References Cited**

**U.S. PATENT DOCUMENTS**

D. 99,968 6/1936 Tyrrell ..... D6/381

D. 180,697 7/1957 Peabody ..... D6/381  
D. 337,692 7/1993 Natuzzi et al. .... D6/334 X  
D. 359,856 7/1995 Hutton ..... D6/334  
D. 360,997 8/1995 Hutton ..... D6/381

*Primary Examiner*—Gary D. Watson  
*Attorney, Agent, or Firm*—Kenyon & Kenyon

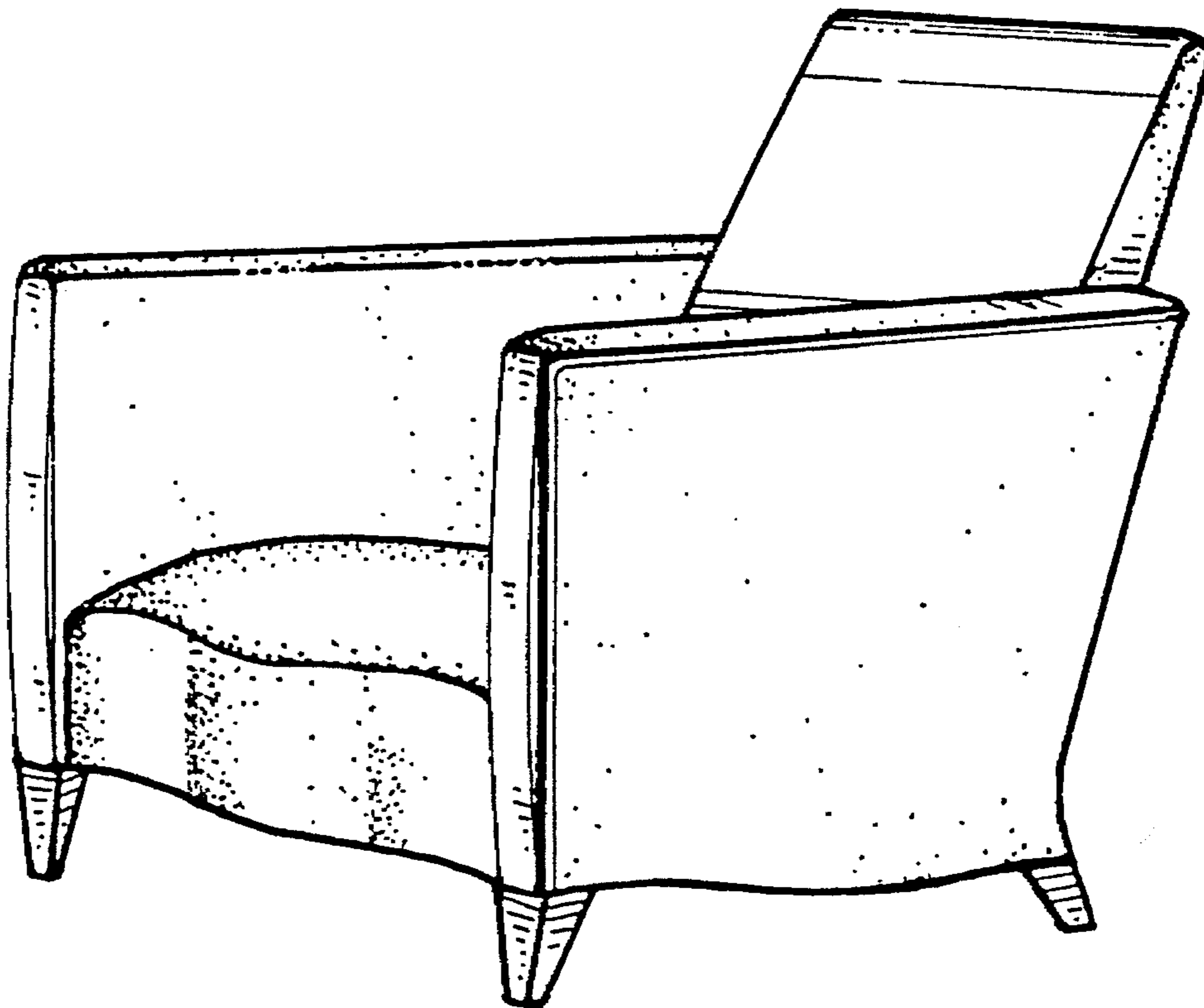
[57] **CLAIM**

The ornamental design for a serpentine club chair, as shown and described.

**DESCRIPTION**

FIG. 1 is a perspective view of a serpentine club chair showing my new design;  
FIG. 2 is a top plan view thereof;  
FIG. 3 is a bottom plan view thereof;  
FIG. 4 is a front elevational view thereof;  
FIG. 5 is a rear elevational view thereof; and,  
FIG. 6 is a right side elevational view thereof, the left side being a mirror image thereof.

**1 Claim, 6 Drawing Sheets**



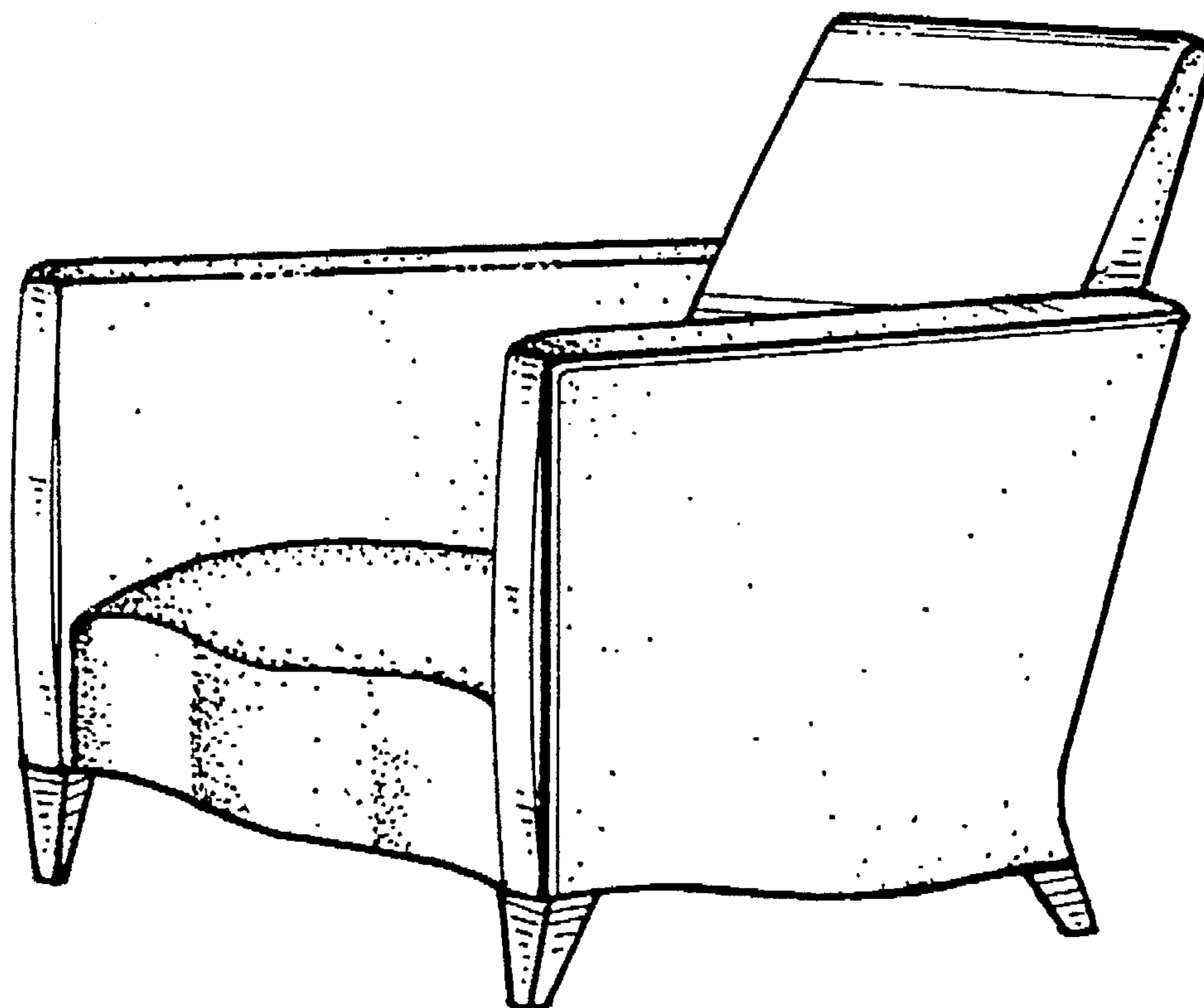


FIG. 1

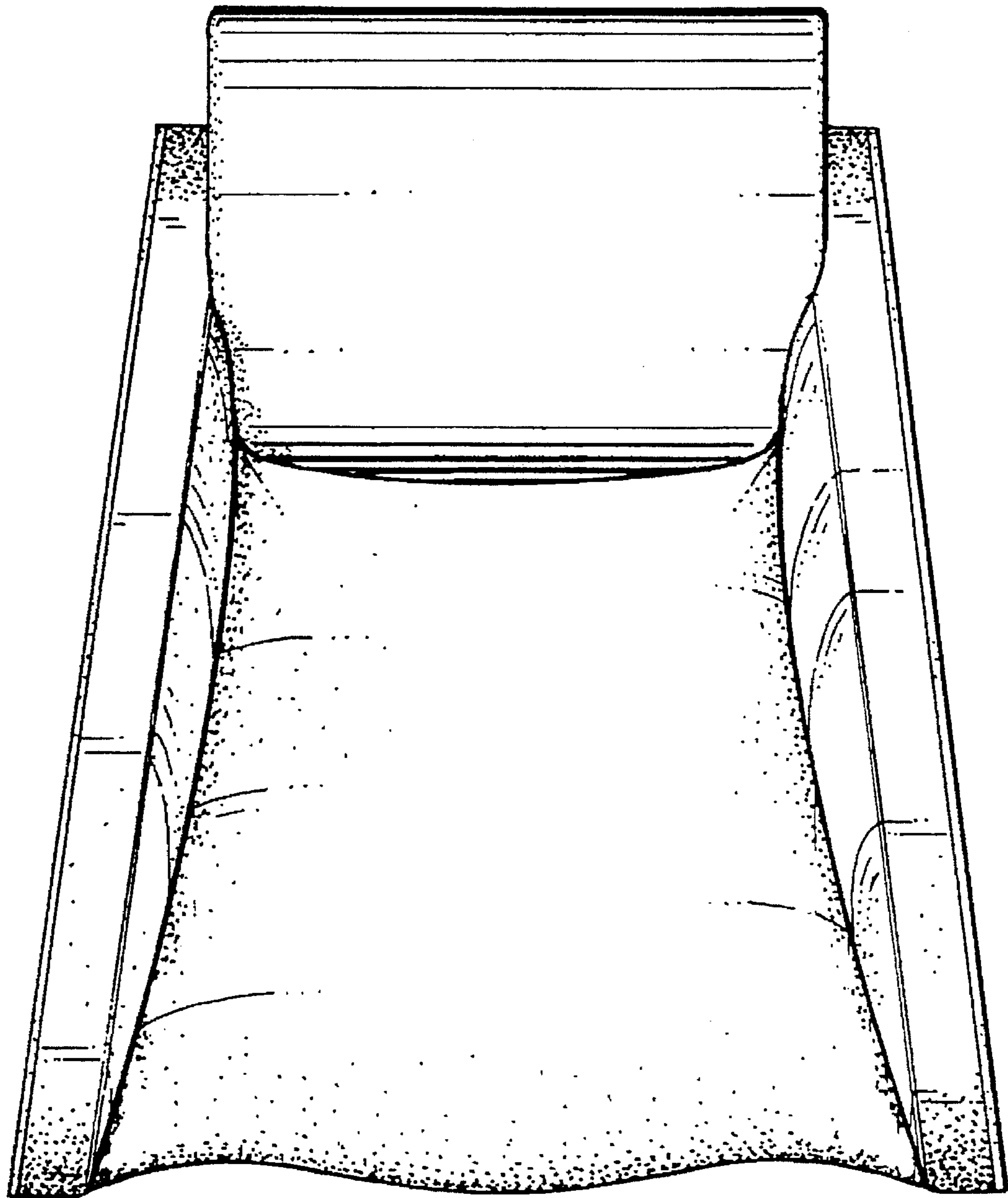


FIG. 2

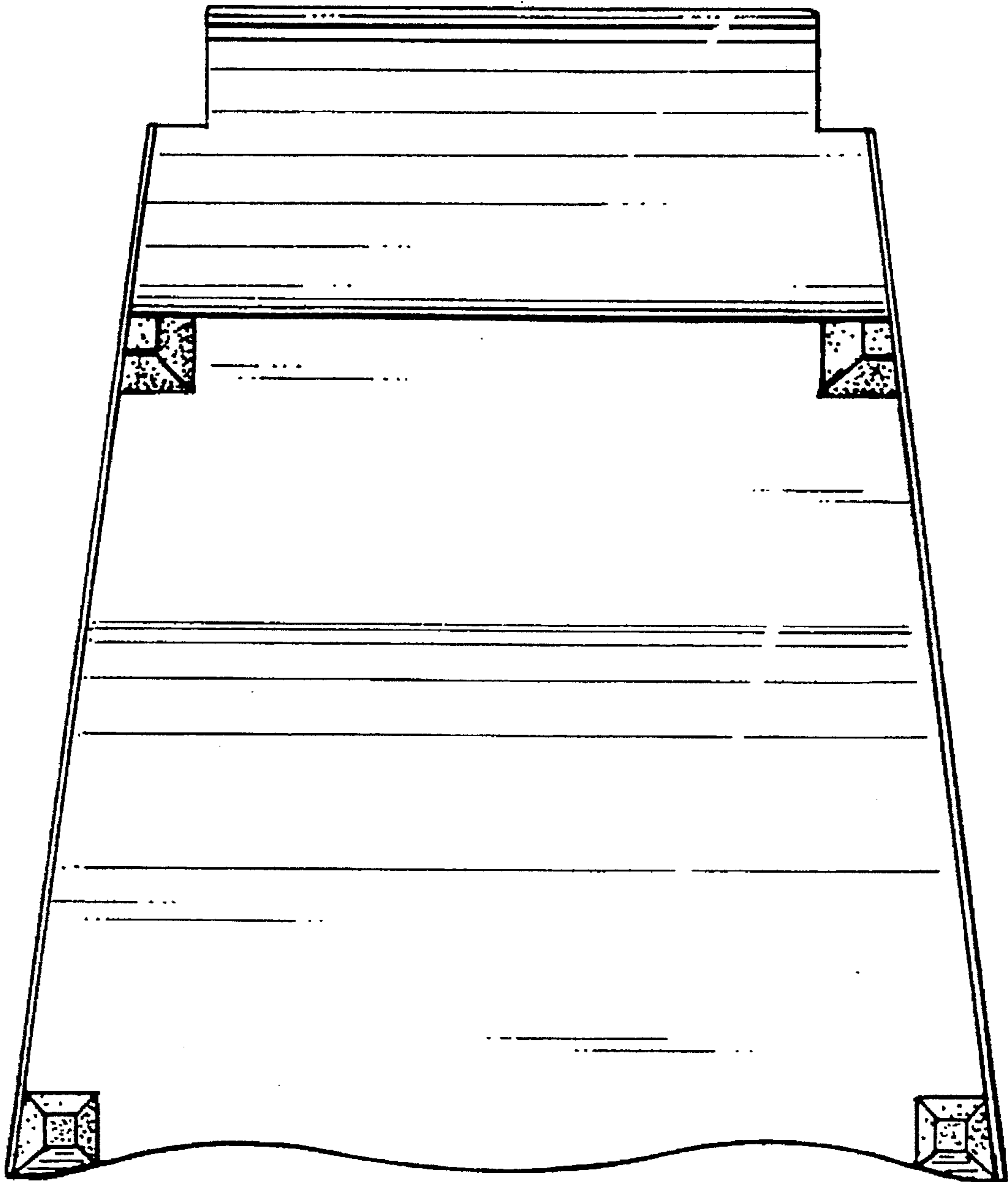


FIG. 3

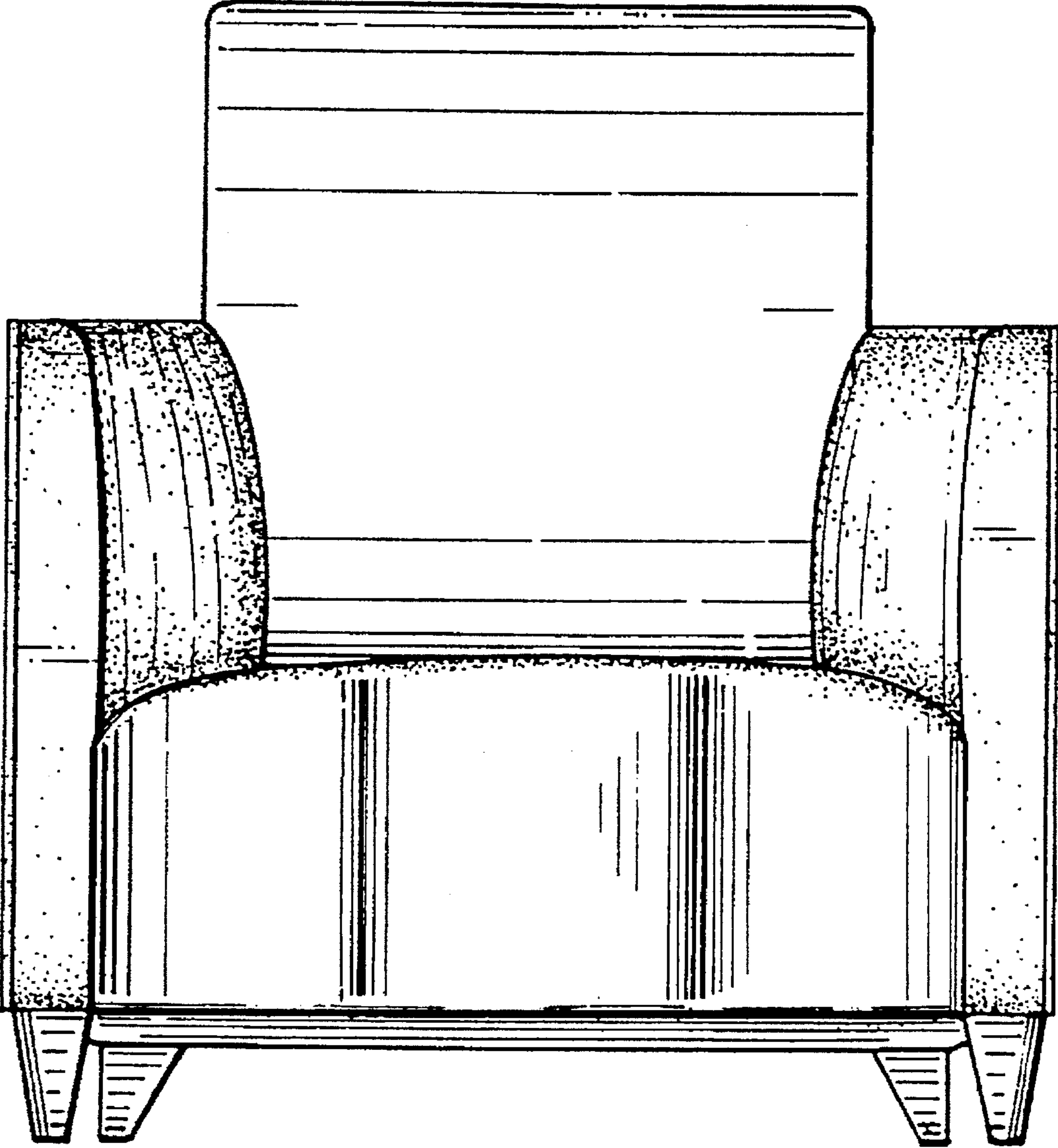


FIG. 4

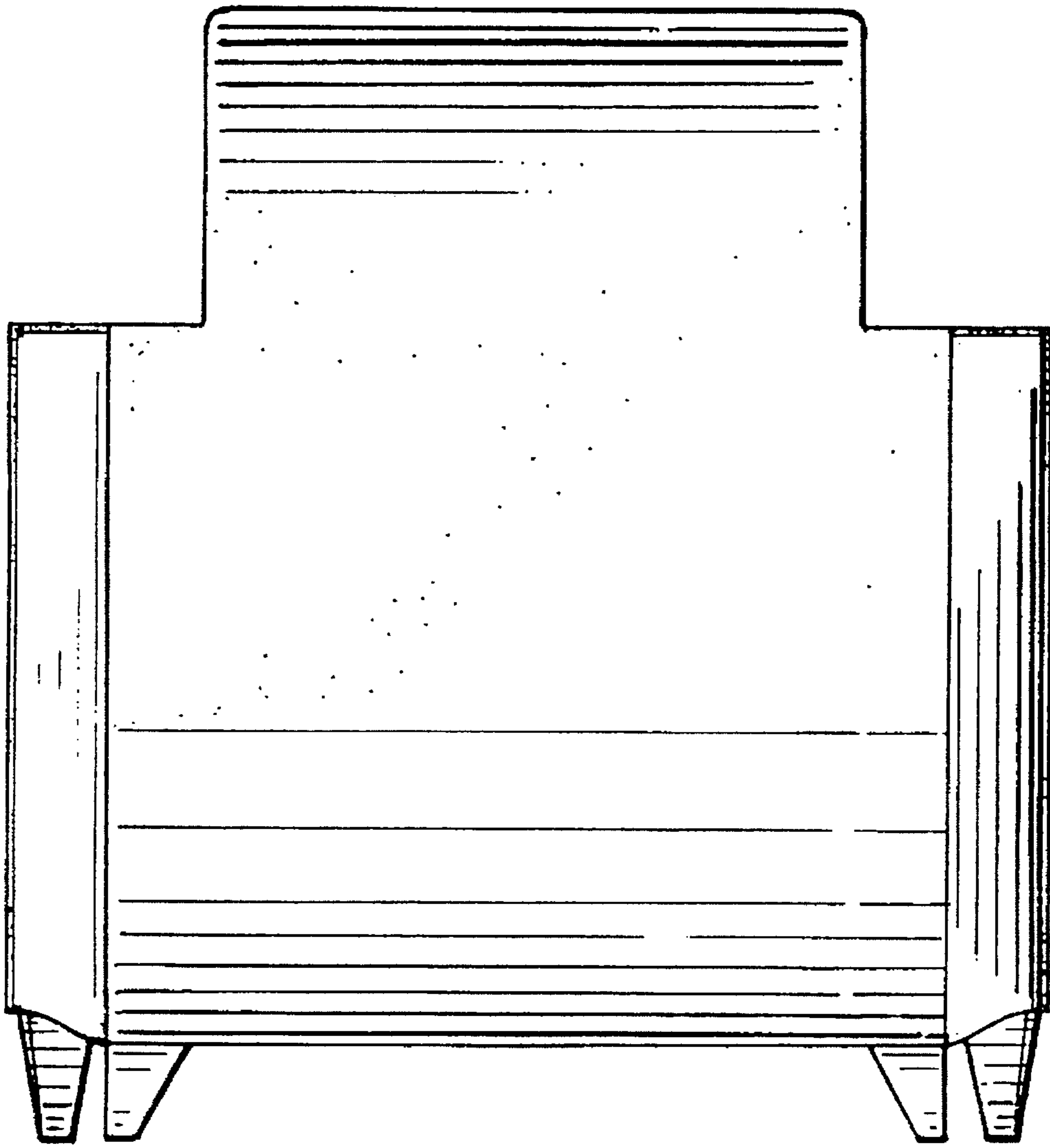


FIG. 5

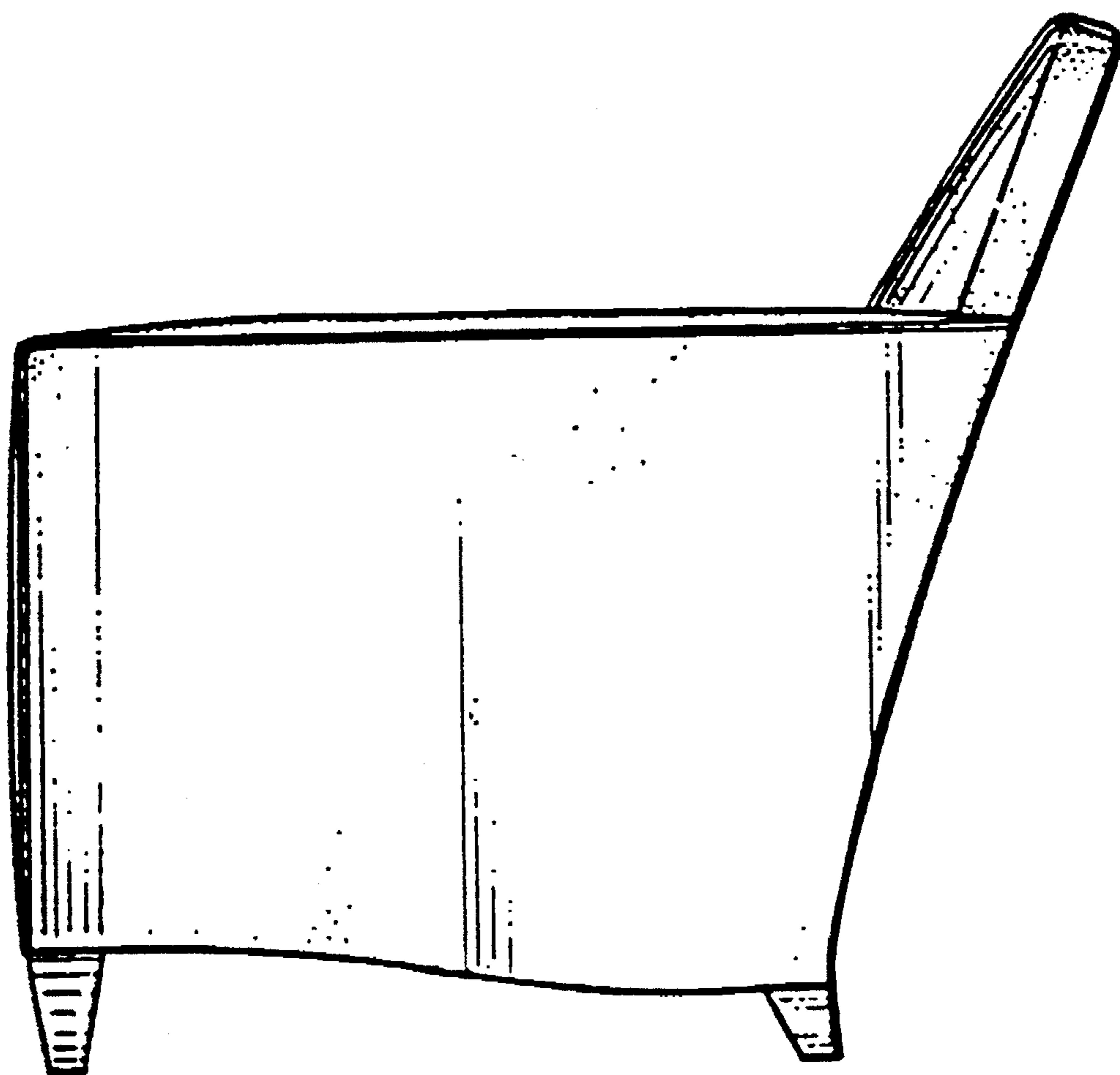


FIG. 6