



US00D379267S

United States Patent [19] Roegner

[11] Patent Number: **Des. 379,267**
[45] Date of Patent: ****May 20, 1997**

[54] MULTIPOCKETED CASE

[76] Inventor: **DeAnna Roegner**, 6133 Eagle Lake La., San Ramon, Calif. 94583

[**] Term: **14 Years**

[21] Appl. No.: **41,011**

[22] Filed: **Jun. 26, 1995**

[51] LOC (6) Cl. **03-01**

[52] U.S. Cl. **D3/285; D3/289; D3/301**

[58] Field of Search **D3/301, 303, 295, D3/289, 276, 274, 285, 284, 286; 190/111, 112, 113, 114, 115; 206/570**

[56] References Cited

U.S. PATENT DOCUMENTS

D. 276,954	1/1985	Kruger	D3/274
D. 345,651	4/1994	Copp	D3/289
D. 355,301	2/1995	Tumulty	D3/276
D. 358,483	5/1995	Cross et al.	D3/301
4,513,866	4/1985	Thomas	206/570
5,052,555	10/1991	Harmon	190/111
5,160,001	11/1992	Marceau	190/111
5,423,404	6/1995	Shaw	190/111

Primary Examiner—Philip S. Hyder

Attorney, Agent, or Firm—Baker, Maxham, Jester & Meador

[57] CLAIM

The ornamental design for a multipocketed case, as shown and described.

DESCRIPTION

FIG. 1 is a perspective view of a multipocketed case showing my new design; in a closed state;

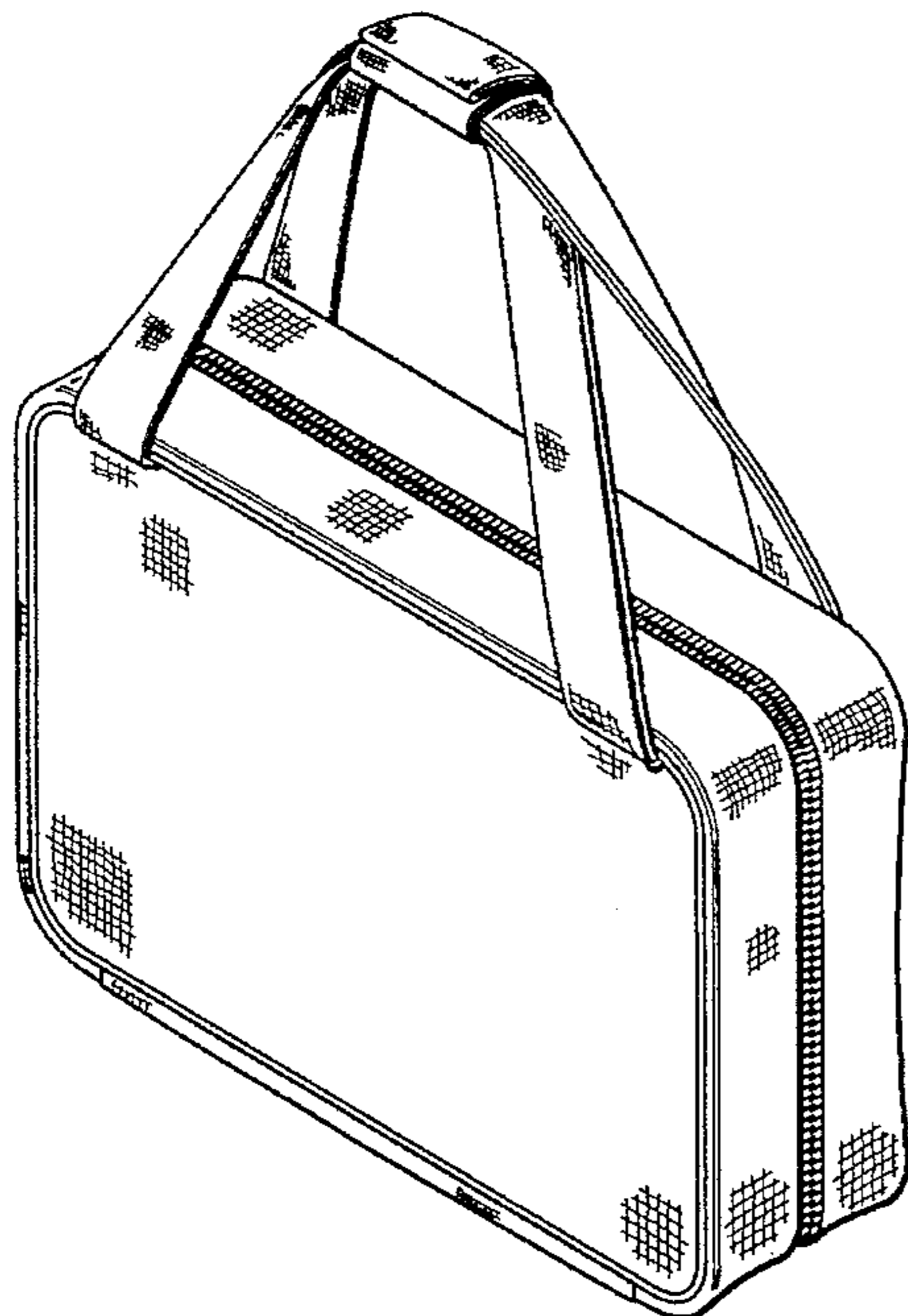


FIG. 2 is a perspective view thereof; in an open state;

FIG. 3 is a perspective view thereof, wherein the internal flaps are shown in an opened position;

FIG. 4 is a top plan view of the multipocketed case in a flattened state, wherein the internal flaps are shown in a closed position;

FIG. 5 is a top plan view thereof, wherein the top flap is closed and the bottom flap is open;

FIG. 6 is a front elevation view of the outside of the multipocketed case with part of the hand straps being cut away, the back view being identical;

FIG. 7 is a right side elevation view of FIG. 6, the left side being identical;

FIG. 8 is a top plan view of FIG. 6;

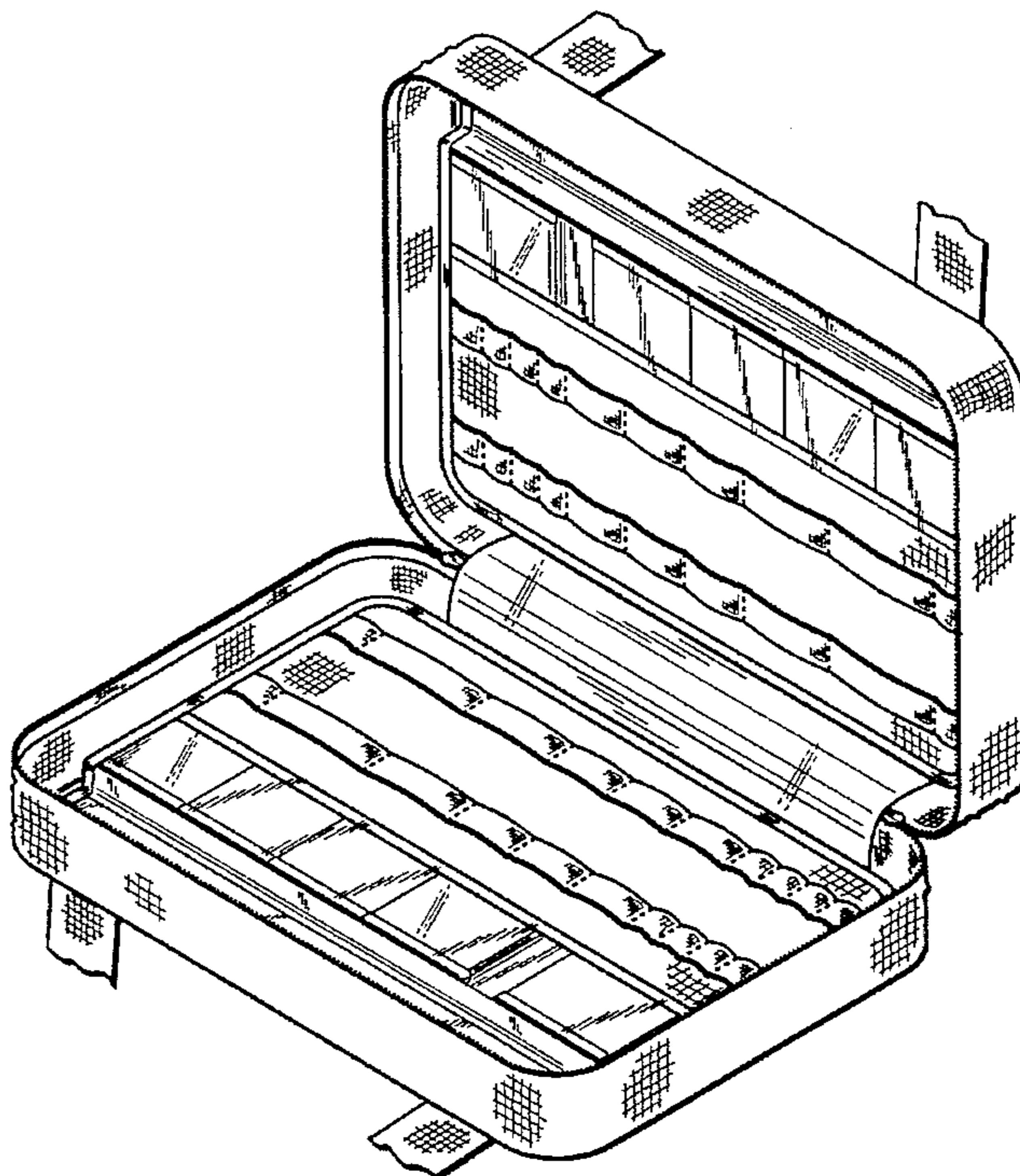
FIG. 9 is a bottom plan view of FIG. 6;

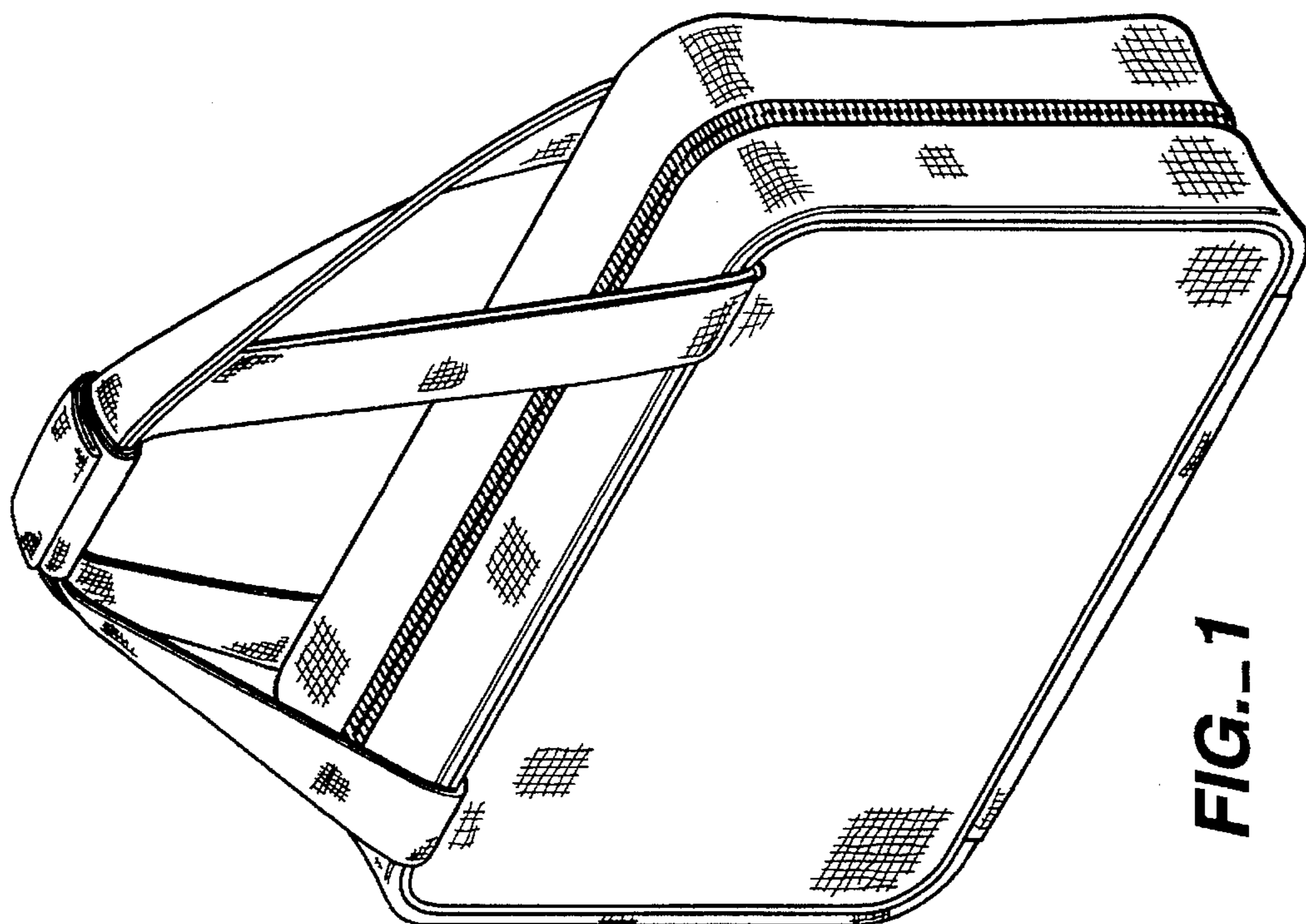
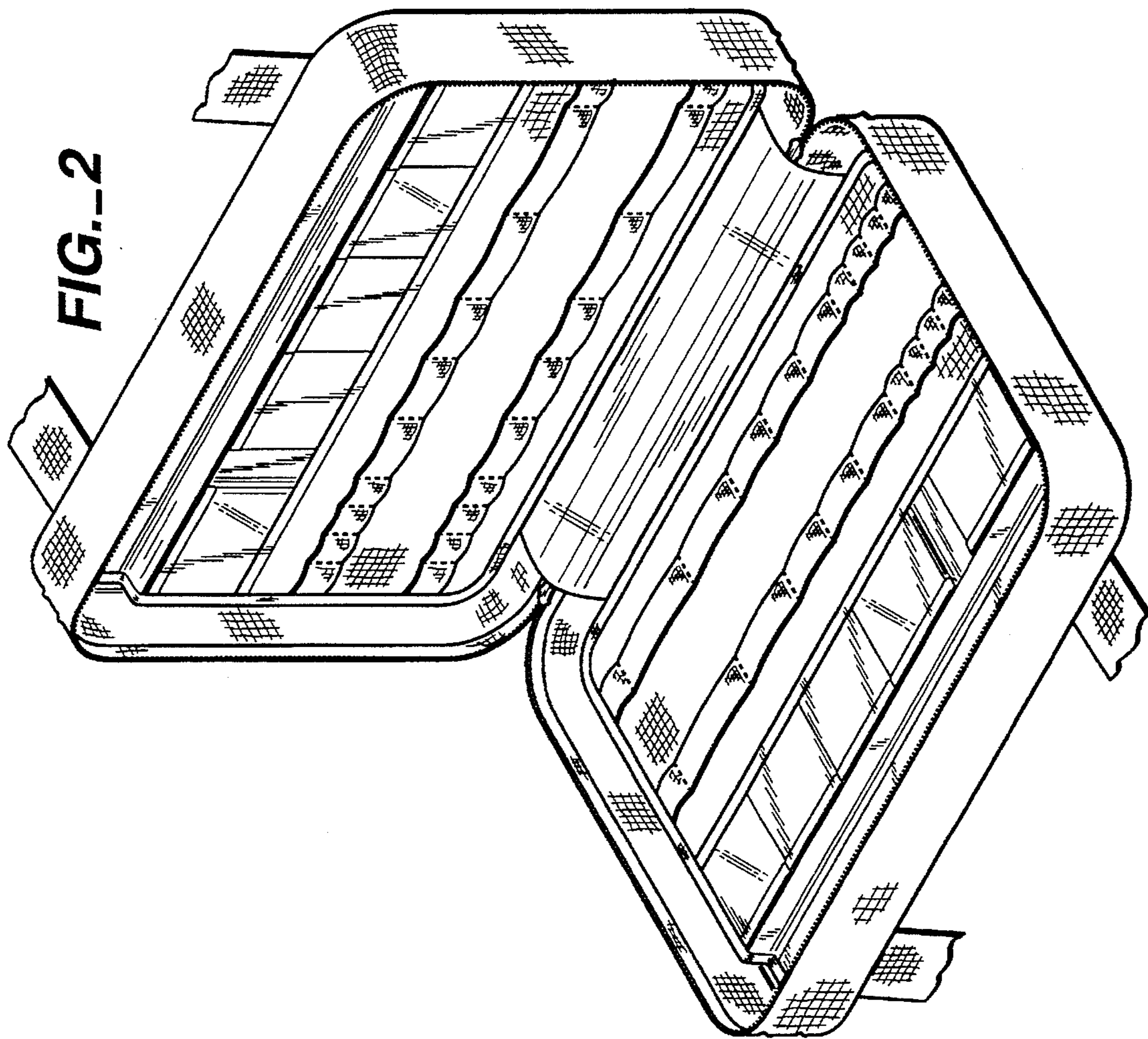
FIG. 10 is a partial side view taken along line 10—10 of FIG. 5, showing one of the internal flaps folded open; and,

FIG. 11 is a cross section view taken along line 11—11 of FIG. 5.

The hand straps have been shown cut away in FIGS. 2 through 11 for ease of illustration.

1 Claim, 6 Drawing Sheets





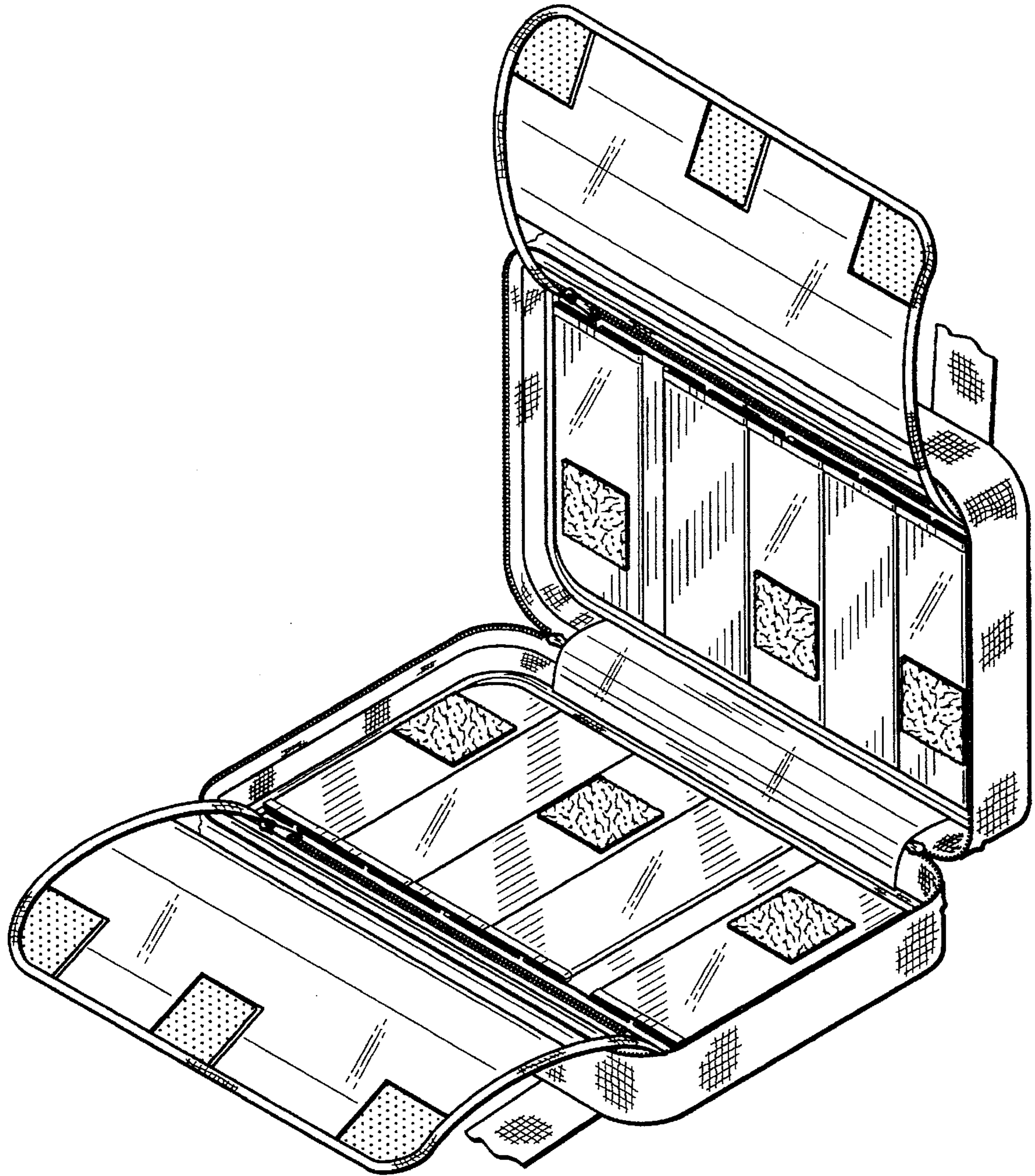


FIG. 3

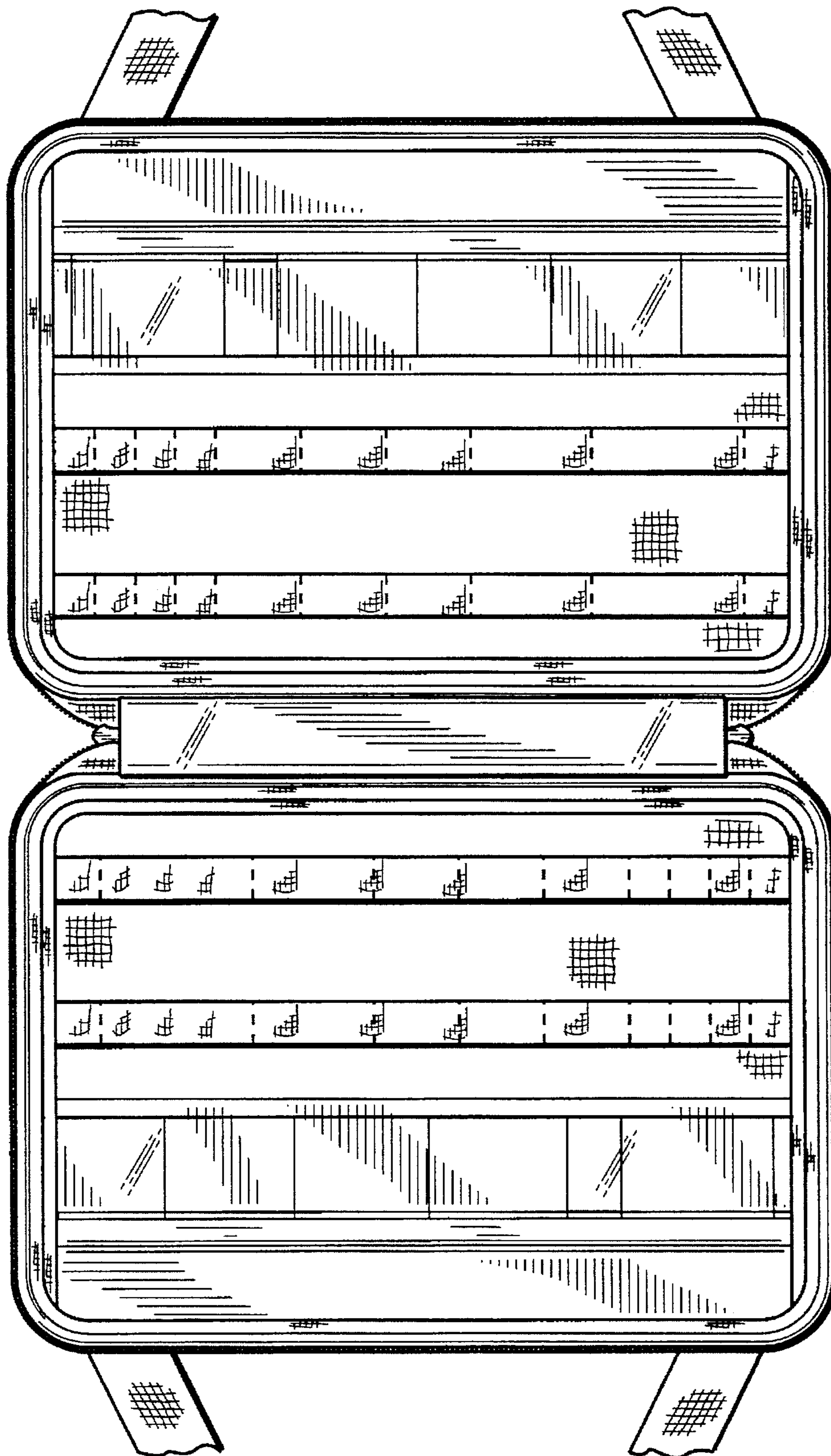


FIG. 4

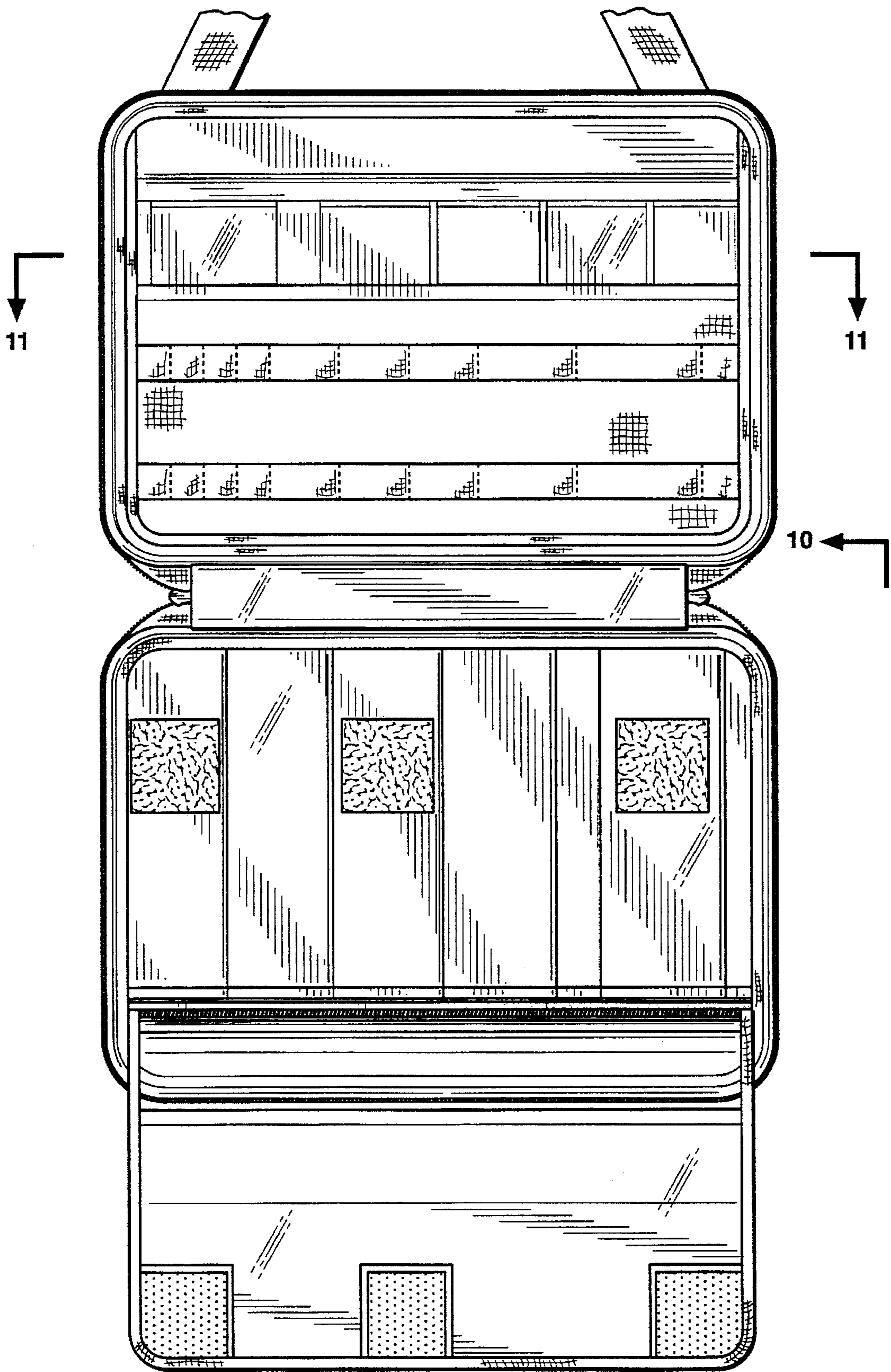


FIG. 5

10

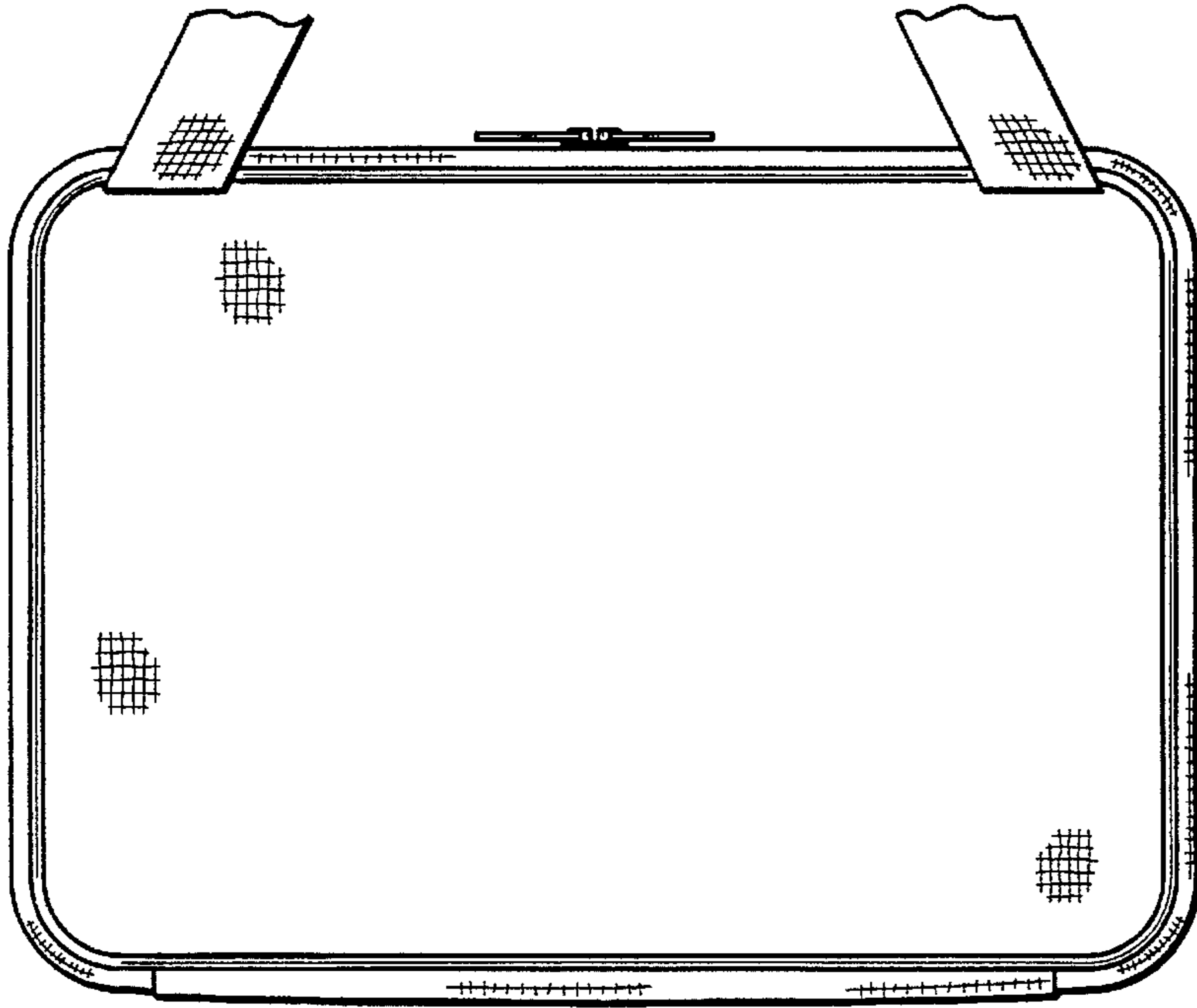


FIG._6

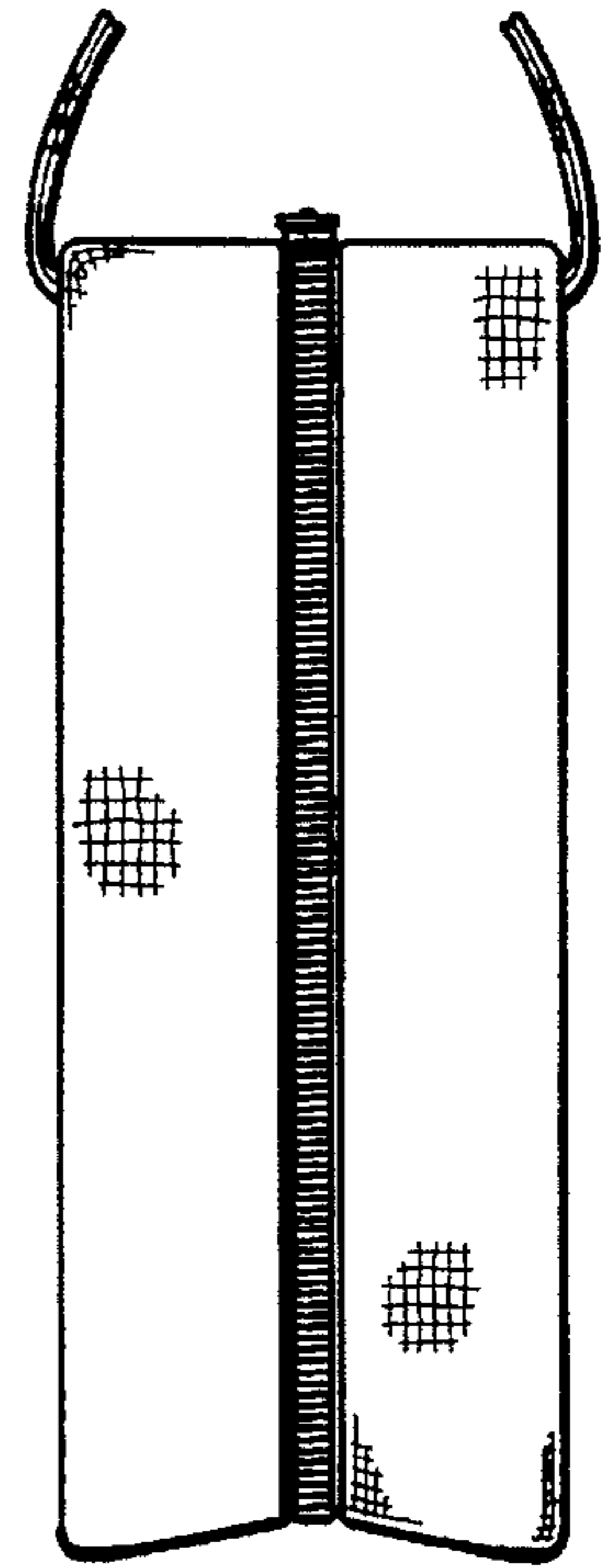


FIG._7

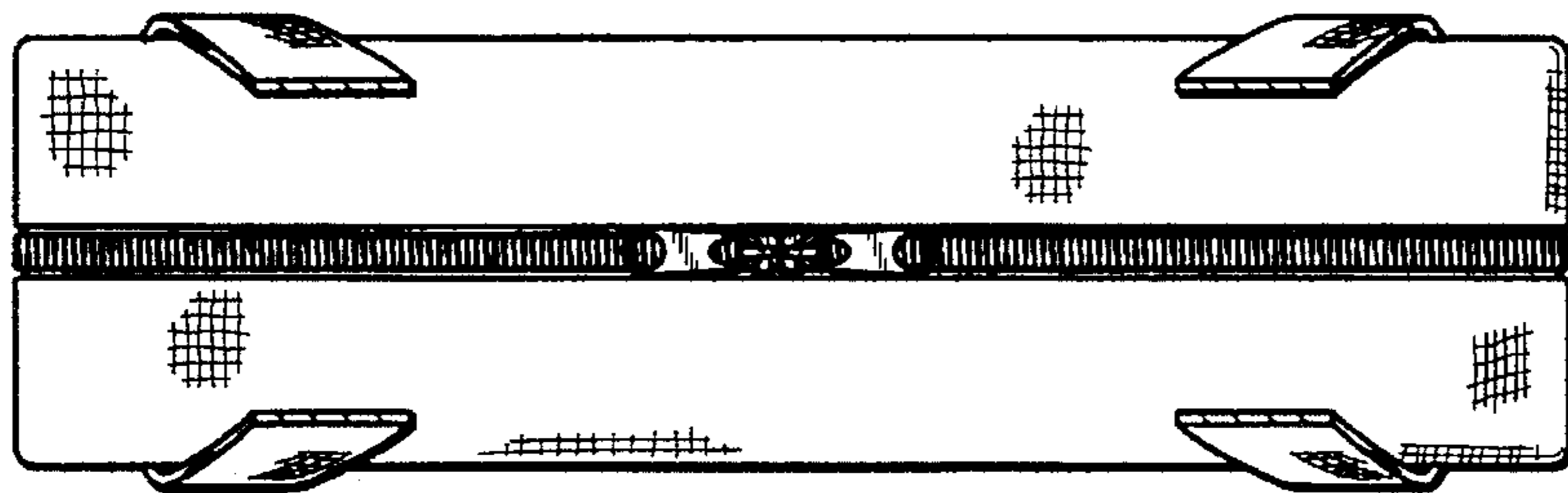


FIG._8

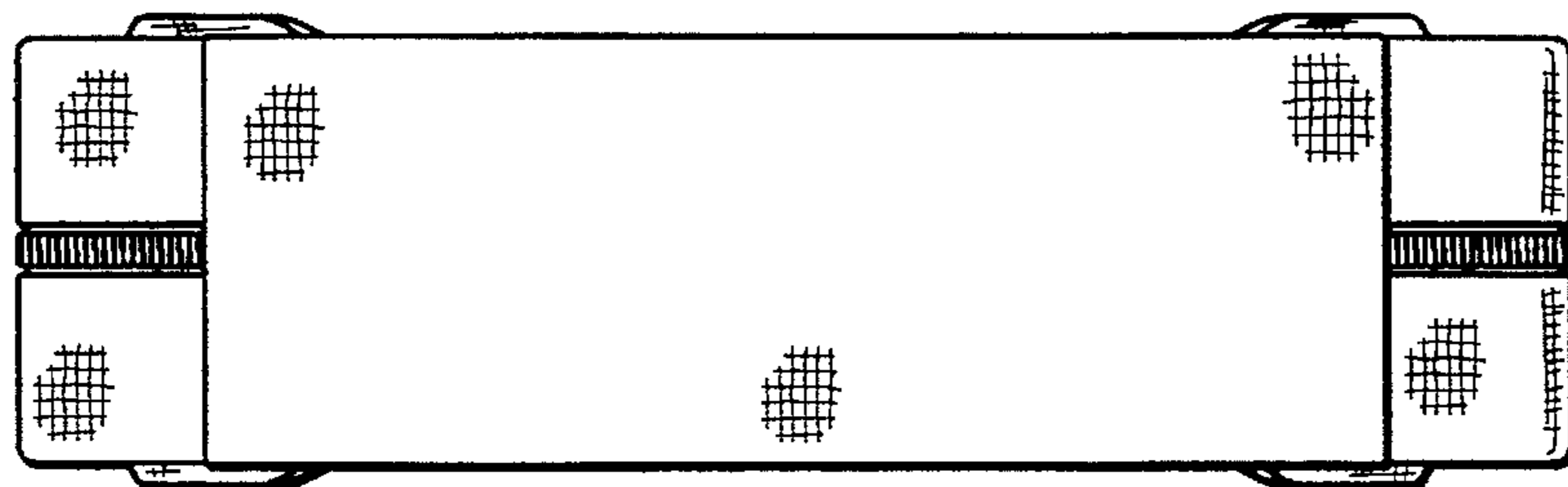


FIG._9

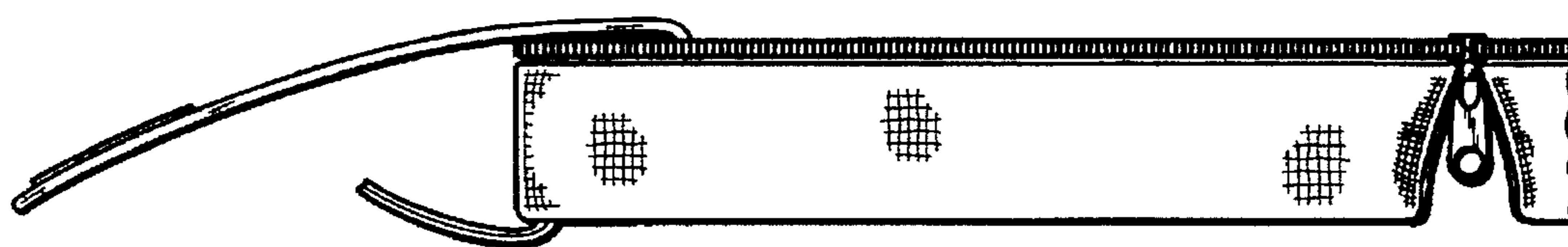


FIG. 10

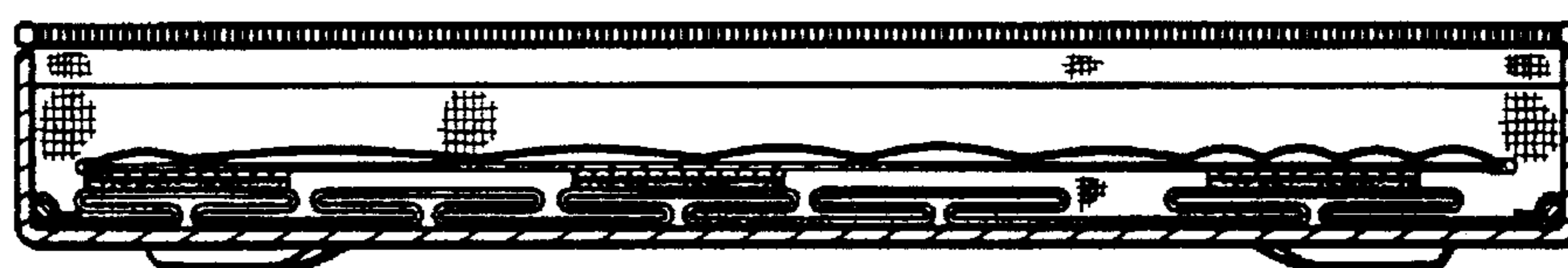


FIG. 11