



US00D379265S

# United States Patent [19]

Wathen et al.

[11] Patent Number: Des. 379,265

[45] Date of Patent: \*\*May 20, 1997

[54] PORTABLE COMPUTER CARRYING CASE

5,383,091 1/1995 Snell ..... 206/305

[75] Inventors: David T. Wathen, Mission; John R. Nelson, Leawood, both of Kans.

Primary Examiner—Philip S. Hyder  
Attorney, Agent, or Firm—Harry M. Fleck

[73] Assignee: Harris Corporation, Melbourne, Fla.

[57] CLAIM

[\*\*] Term: 14 Years

The ornamental design for a portable computer carrying case, as shown and described.

[21] Appl. No.: 47,057

### DESCRIPTION

[22] Filed: Nov. 8, 1995

FIG. 1 is a top isometric view of the design taken from the front end and right side, with a partial phantom view of a carrying strap;

[51] LOC (6) Cl. .... 03-01

[52] U.S. Cl. .... D3/269; D14/114; D3/274

FIG. 2 is an elevational view of the front end;

[58] Field of Search ..... D3/269, 273, 274, D3/276, 294; D14/114; 206/305, 320, 569, 576, 592, 594, 523; 361/680

FIG. 3 is a top plan view;

FIG. 4 is an elevational view of the rear end;

FIG. 5 is a bottom plan view, with a partial phantom view of a wrist strap;

FIG. 6 is an elevational view of the right side;

FIG. 7 is an elevational view of the left side; and,

FIG. 8 is a top isometric view, similar to FIG. 1, but with the access lid open.

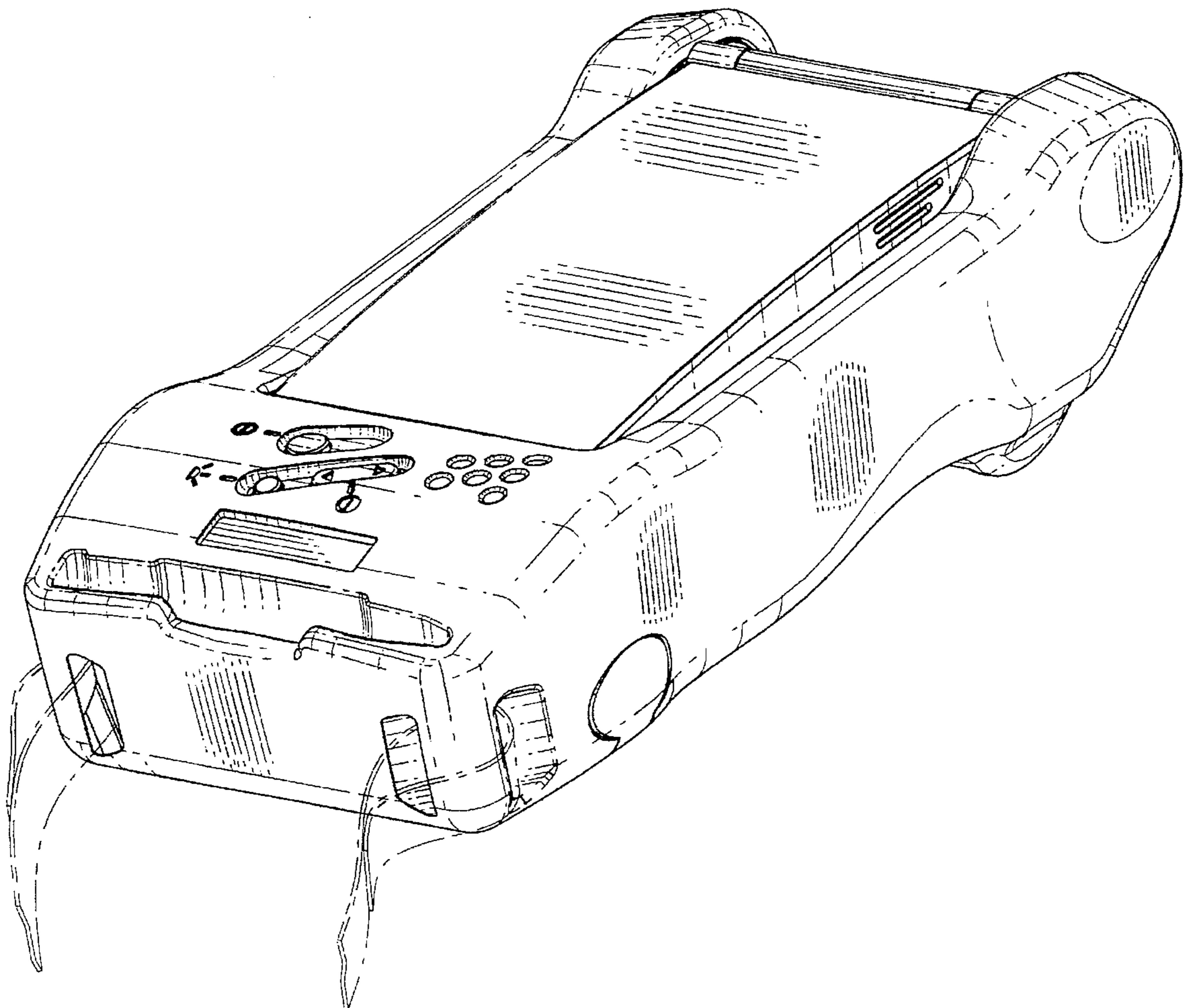
The broken line showing of the straps in FIGS. 1 and 5 are for illustrative purposes only and form no part of the claimed design.

### [56] References Cited

#### U.S. PATENT DOCUMENTS

4,860,901	8/1989	Hochreuther et al. ....	206/305
5,002,184	3/1991	Lloyd .....	206/305
5,265,720	11/1993	Meliconi .....	206/305
5,267,123	11/1993	Boothroyd et al. ....	206/305
5,368,159	11/1994	Doria .....	206/320
5,373,458	12/1994	Bishay et al. ....	206/305

1 Claim, 6 Drawing Sheets



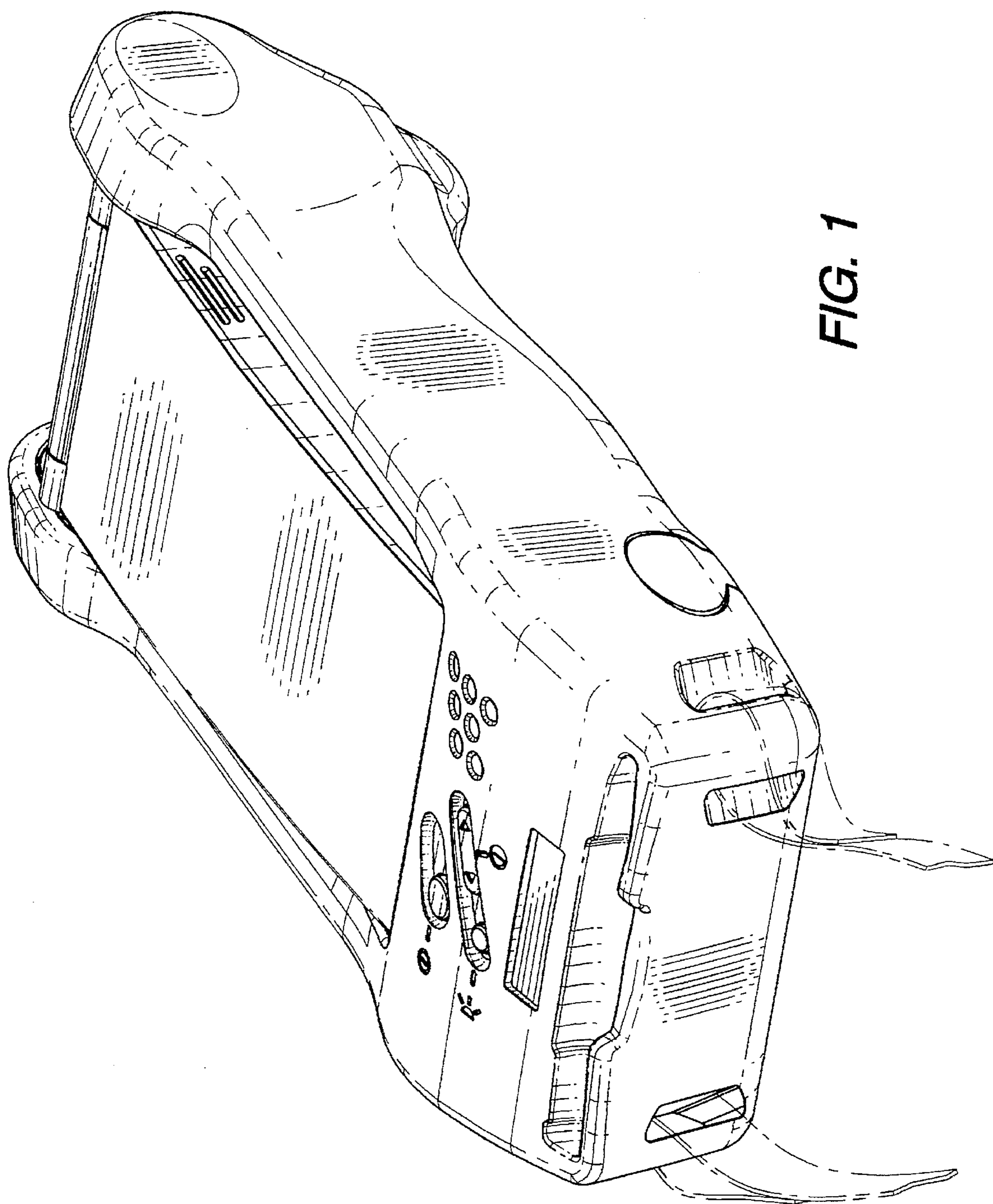
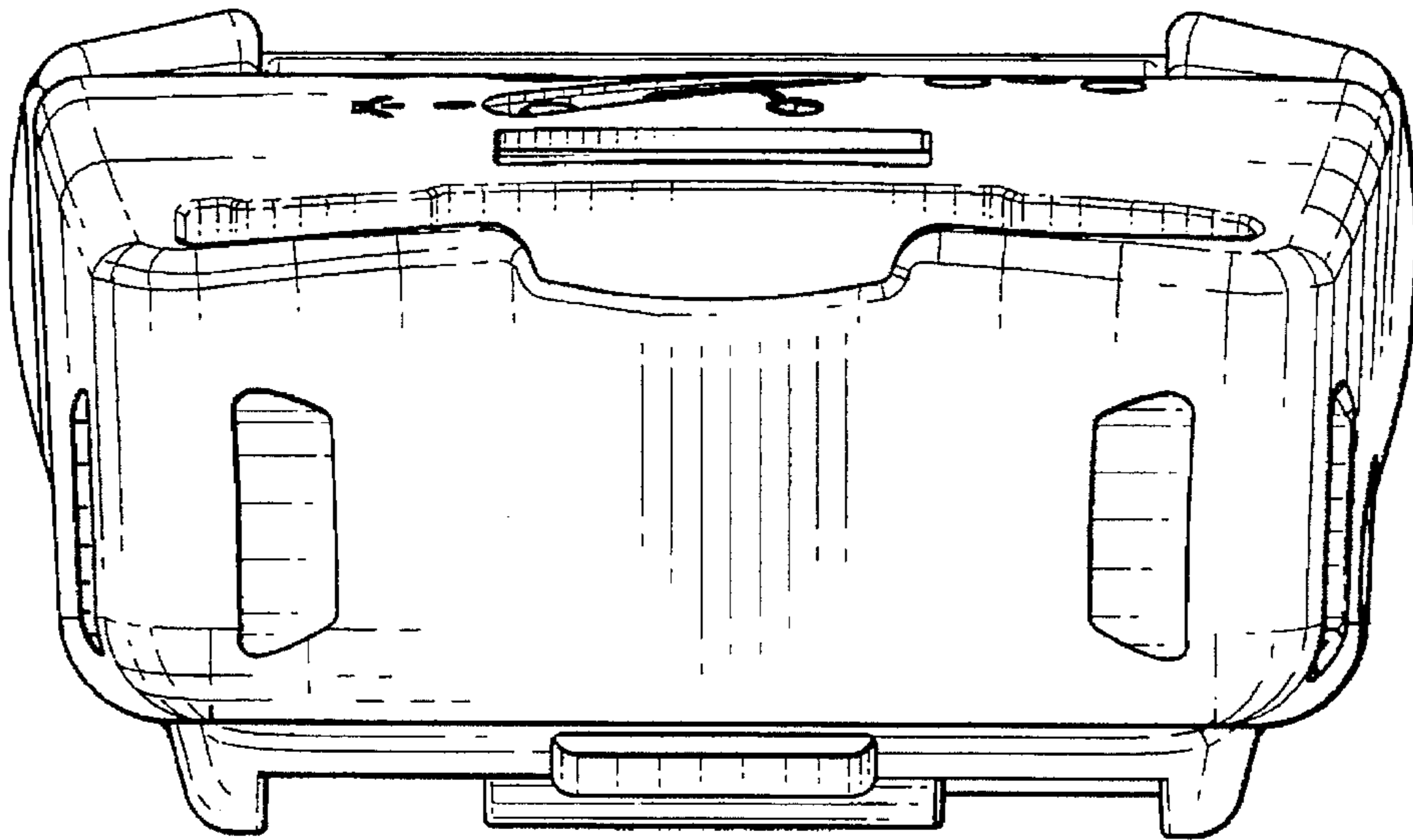
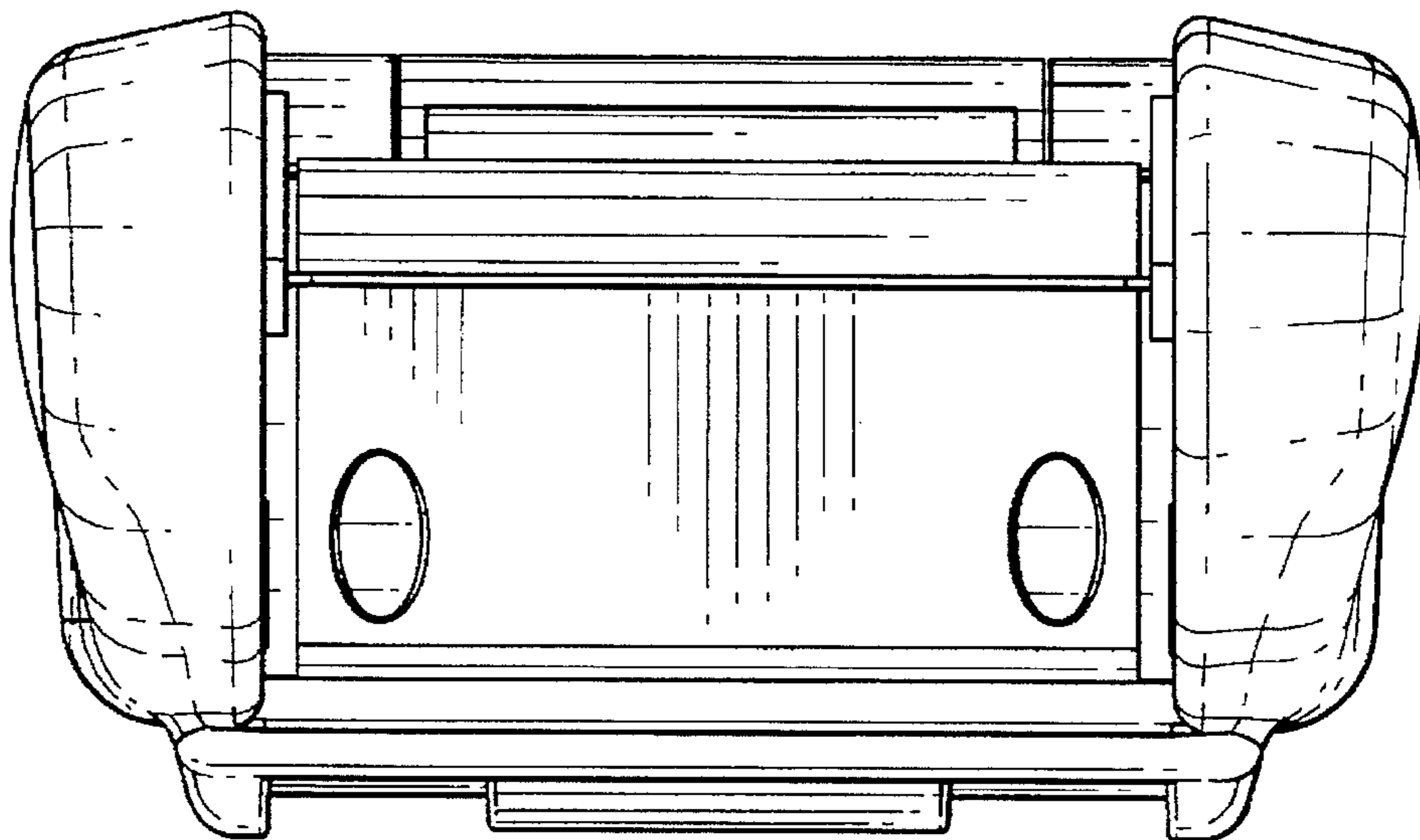


FIG. 1



**FIG. 2**



**FIG. 4**

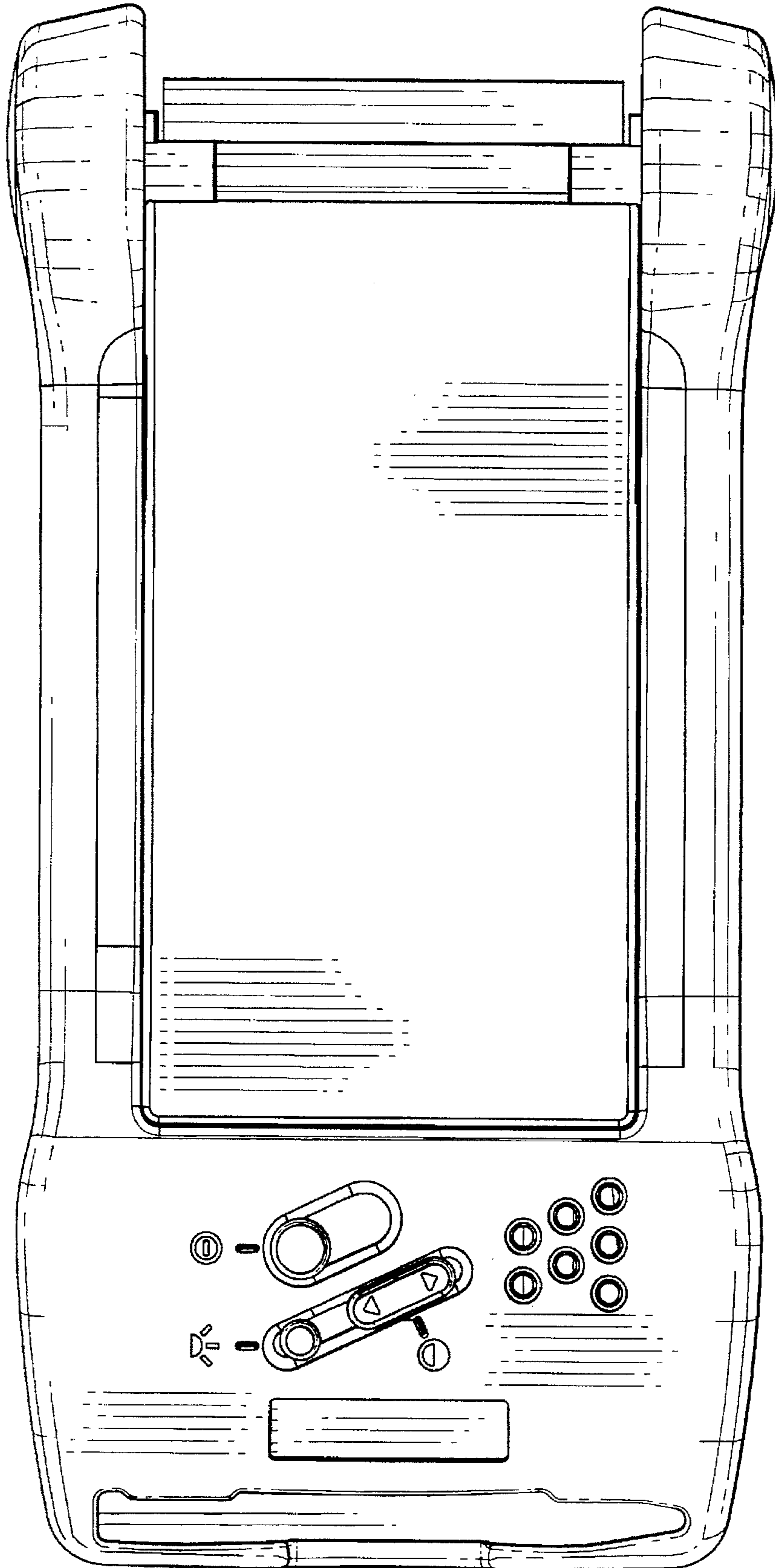


FIG. 3

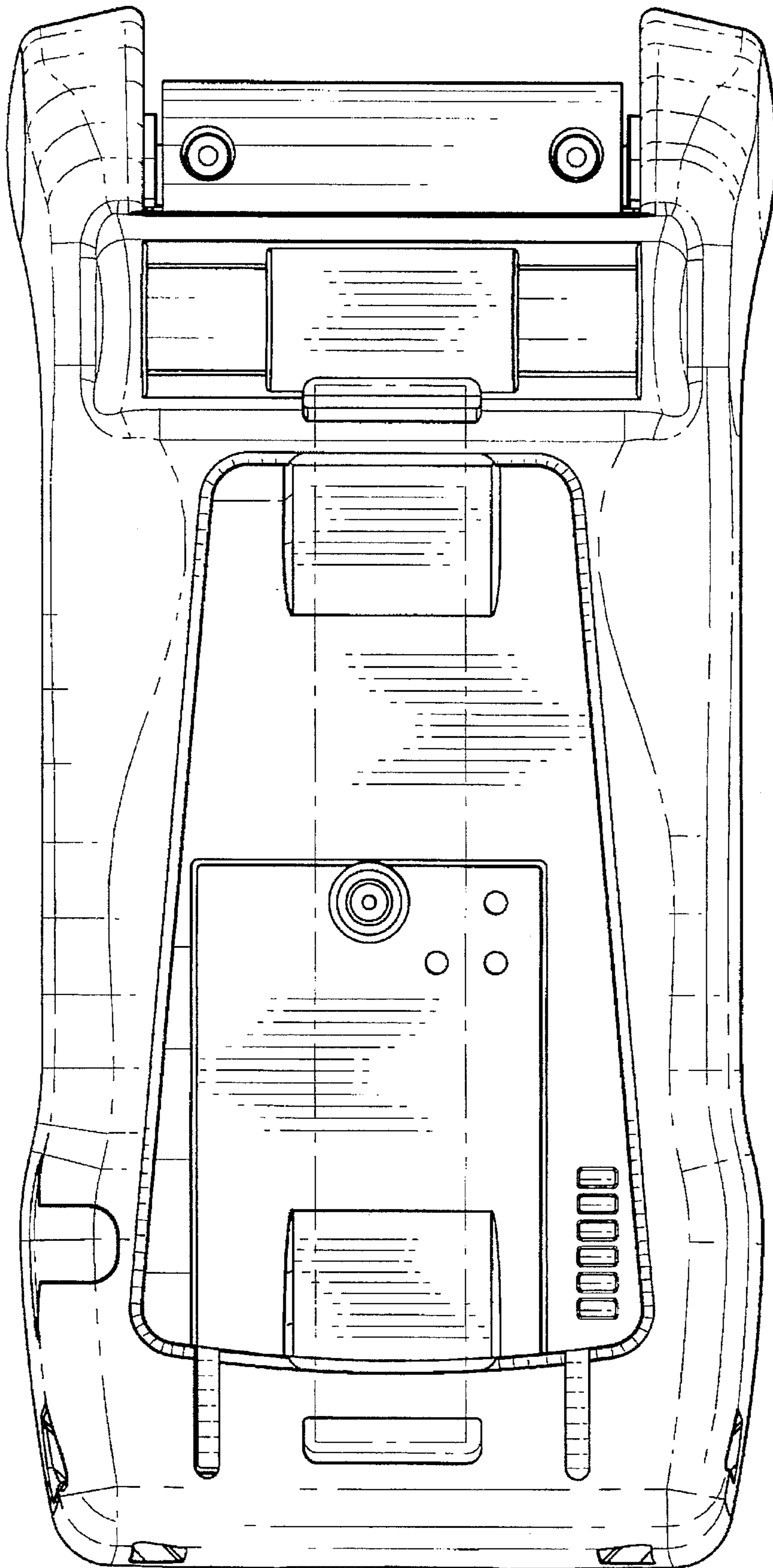
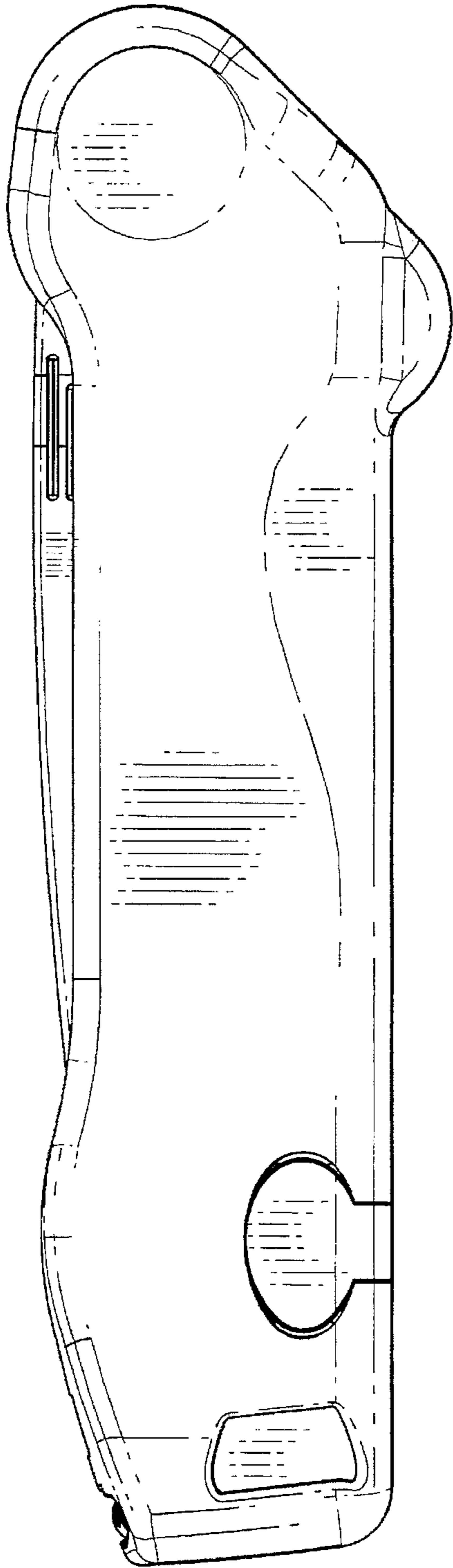
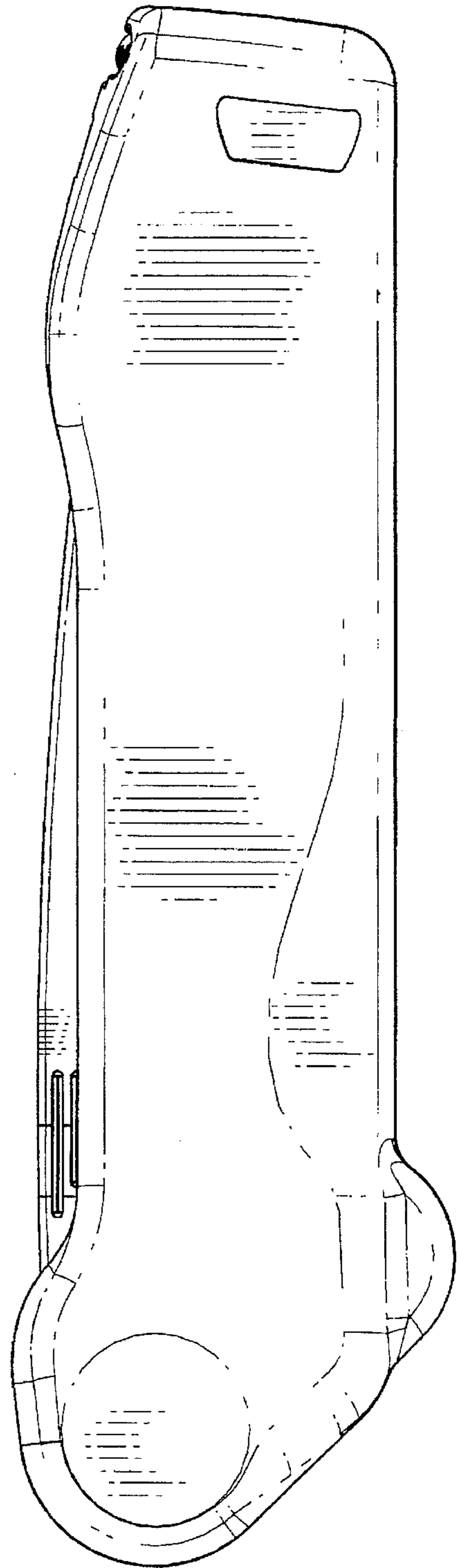


FIG. 5



**FIG. 6**



**FIG. 7**

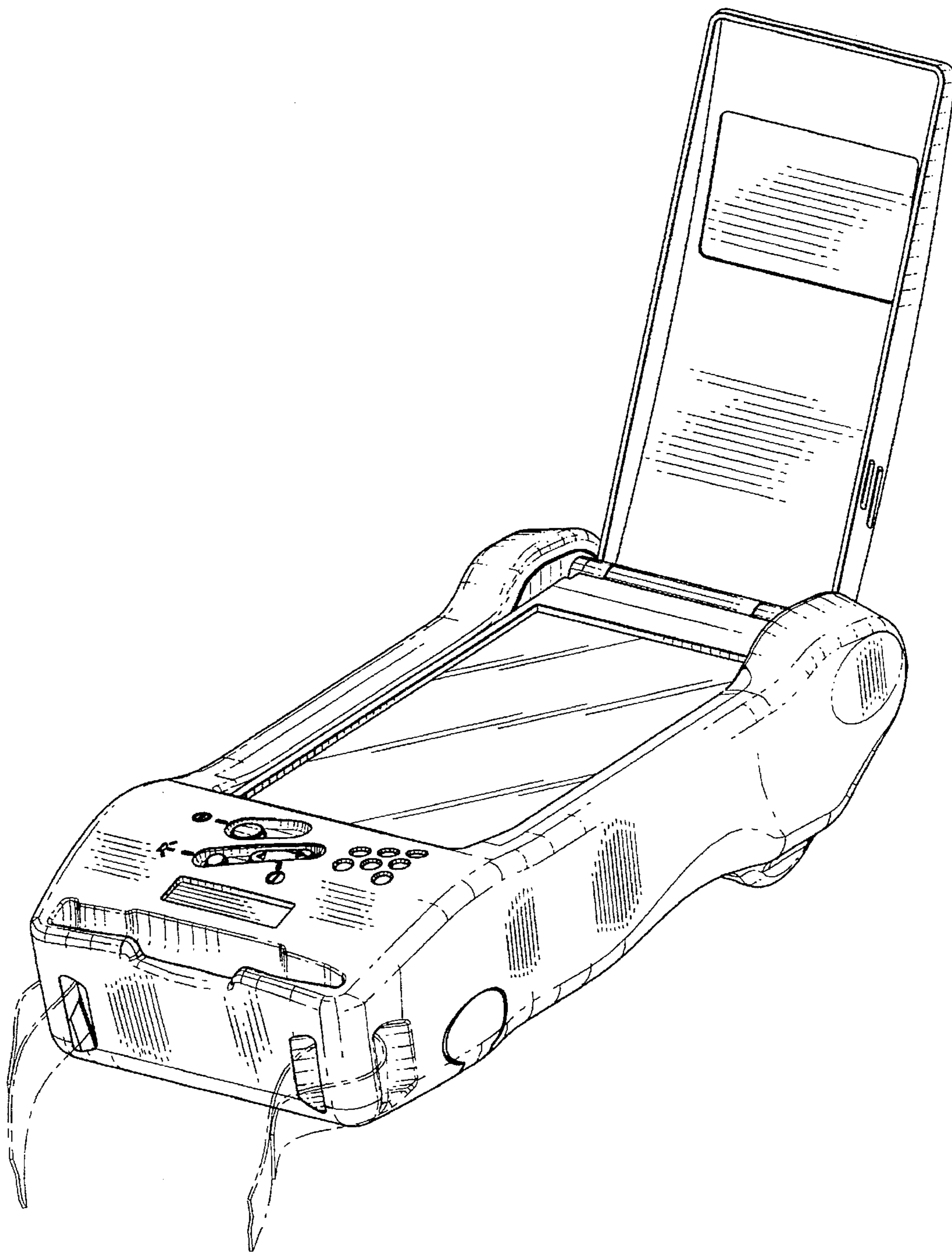


FIG. 8