



US00D379262S

# United States Patent [19] Seigel

[11] Patent Number: Des. 379,262

[45] Date of Patent: \*\*May 20, 1997

[54] CELLULAR PHONE CASE

[75] Inventor: Joel Seigel, Willowdale, Canada

[73] Assignee: Gentec, Markham, Canada

[\*\*] Term: 14 Years

[21] Appl. No.: 47,569

[22] Filed: Dec. 7, 1995

[30] Foreign Application Priority Data

Nov. 24, 1995 [CA] Canada ..... 1995-2639

[51] LOC (6) Cl. .... 03-01

[52] U.S. Cl. .... D3/218; D3/219

[58] Field of Search ..... D3/218, 215, 219,  
D3/224, 226, 228, 243; 224/236, 240, 226,  
252, 253, 269, 901, 904

[56] References Cited

U.S. PATENT DOCUMENTS

- D. 297,188 8/1988 Powell ..... D3/218
- D. 320,714 10/1991 Singley ..... D3/218
- D. 324,956 3/1992 Baker ..... D3/228
- D. 343,059 1/1994 Daniels et al. .... D3/218

- 3,813,017 5/1974 Pimsleur ..... 224/908
- 4,119,249 10/1978 Hanson ..... 224/901
- 5,048,734 9/1991 Long ..... 224/228

Primary Examiner—Doris V. Coles  
Assistant Examiner—Catherine R. Oliver  
Attorney, Agent, or Firm—Bereskin & Parr

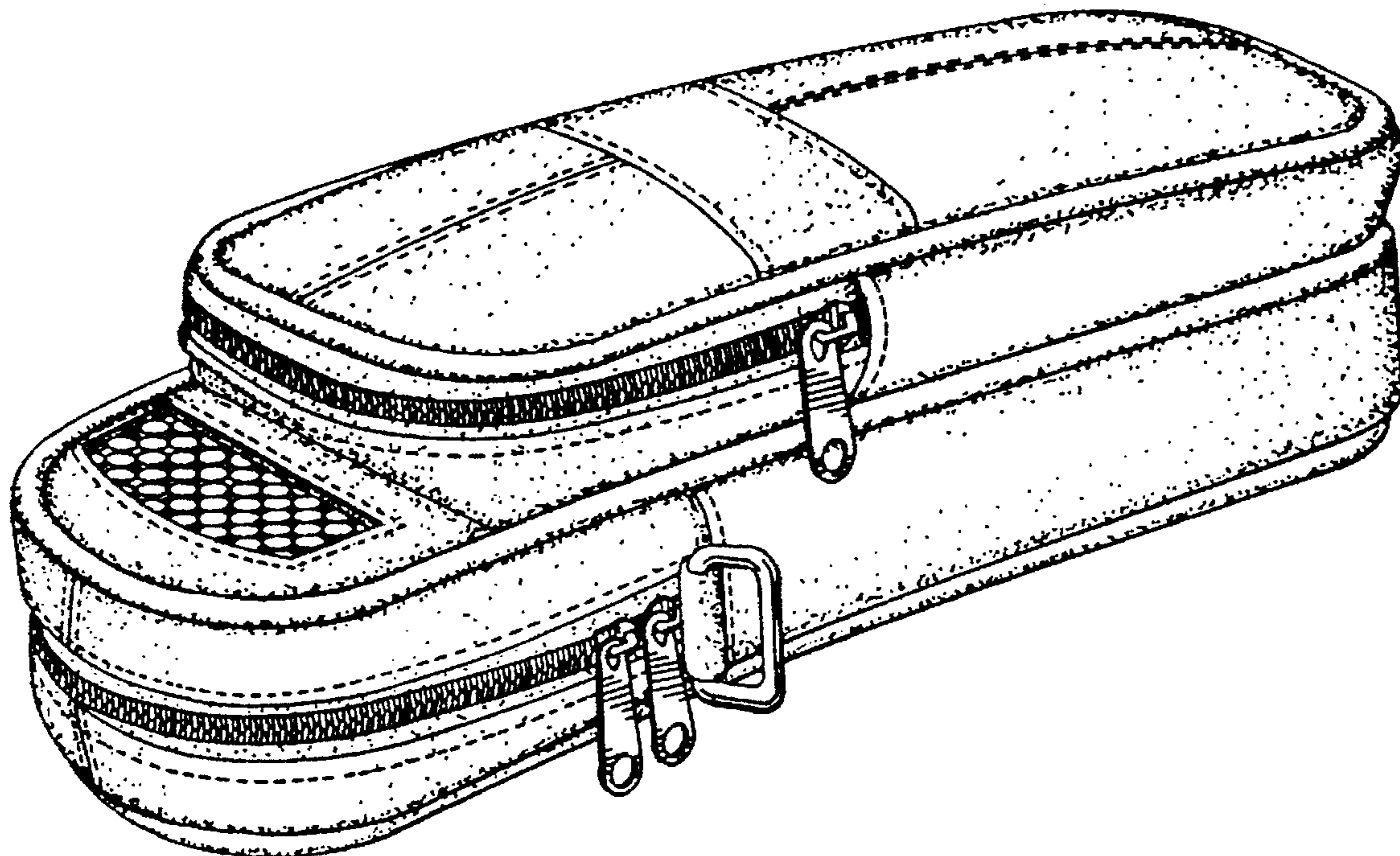
[57] CLAIM

The ornamental design for a cellular phone case, as shown.

DESCRIPTION

FIG. 1 is a top front perspective view of a cellular phone case in accordance with the present invention;  
 FIG. 2 is a bottom rear perspective view of the cellular phone case of FIG. 1;  
 FIG. 3 is a top view of the cellular phone case of FIG. 1;  
 FIG. 4 is a bottom view of the cellular phone case of FIG. 1;  
 FIG. 5 is a top front perspective view of a second embodiment of a cellular phone case in accordance with the present invention;  
 FIG. 6 is a bottom rear perspective view of the cellular phone case of FIG. 5;  
 FIG. 7 is a top view of the cellular phone case of FIG. 5; and,  
 FIG. 8 is a bottom view of the cellular phone case of FIG. 5.

1 Claim, 4 Drawing Sheets



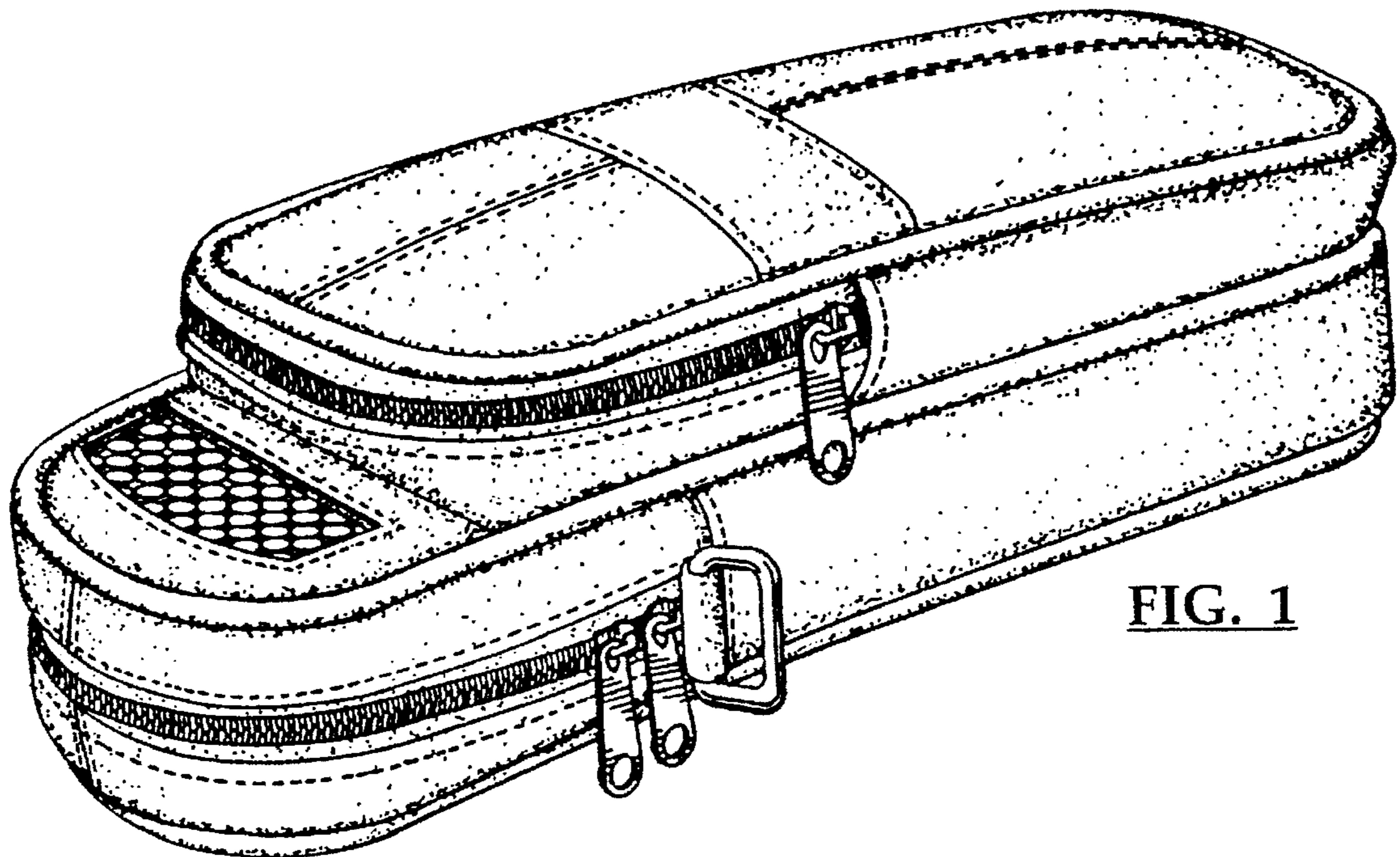


FIG. 1

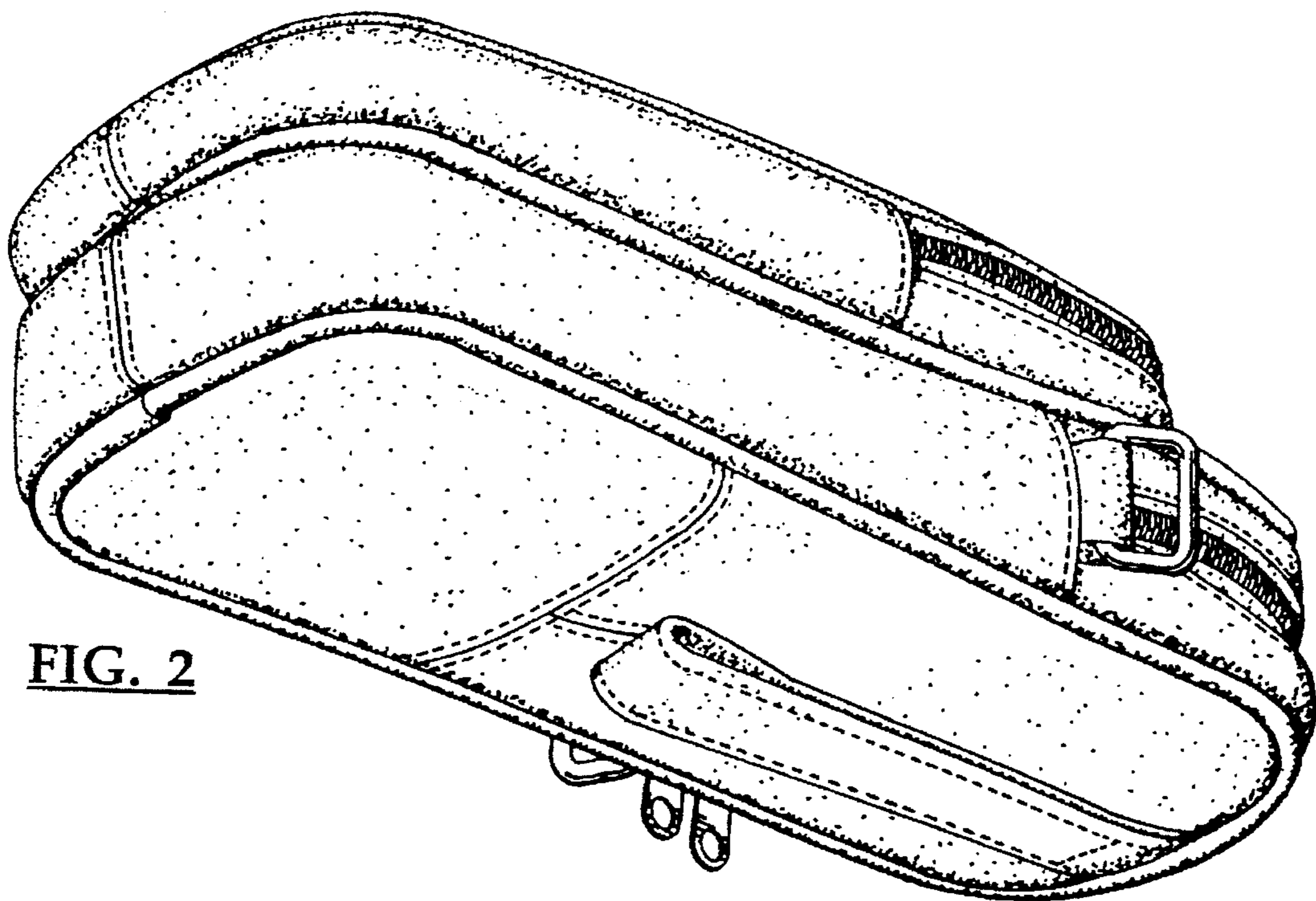


FIG. 2



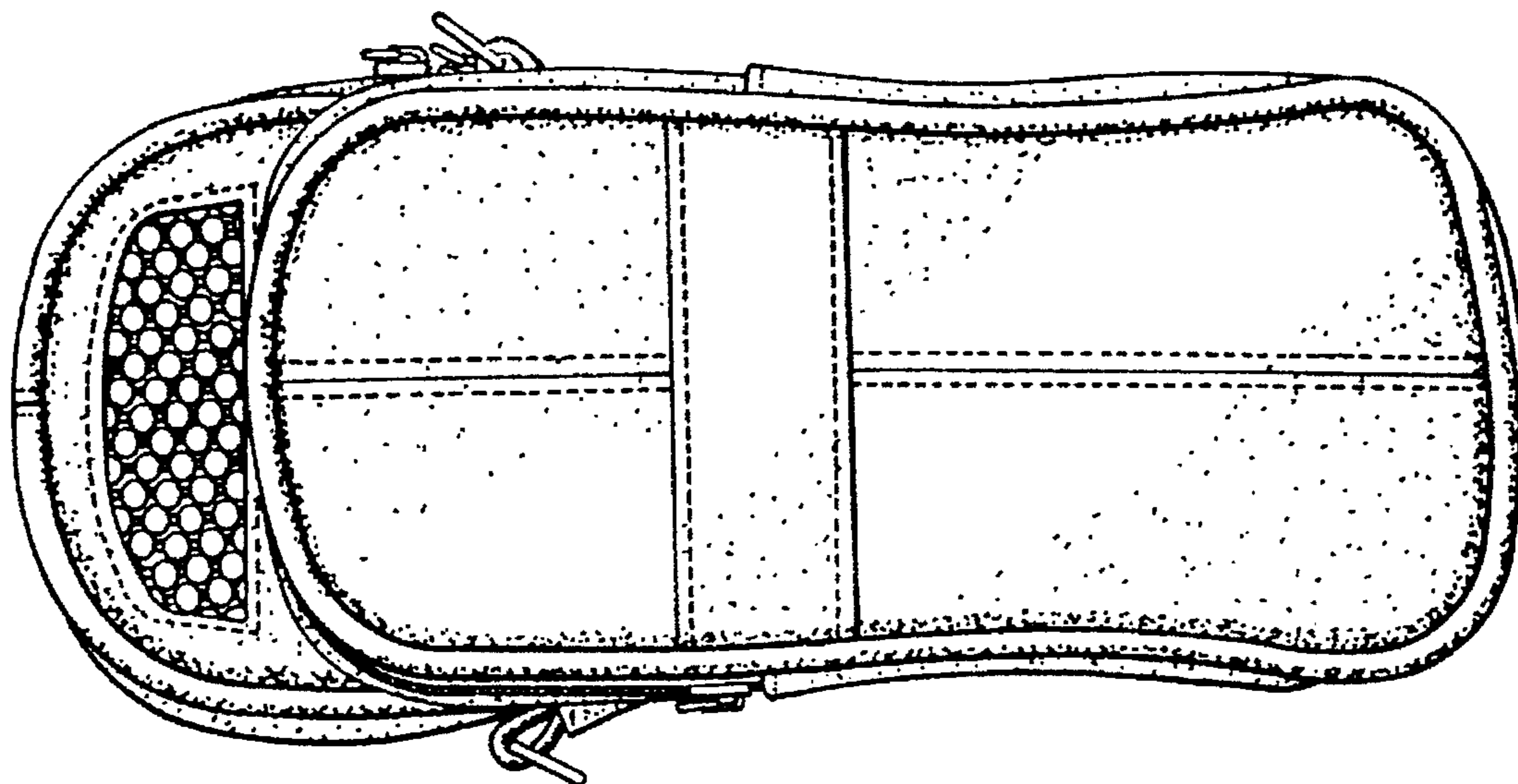


FIG. 3

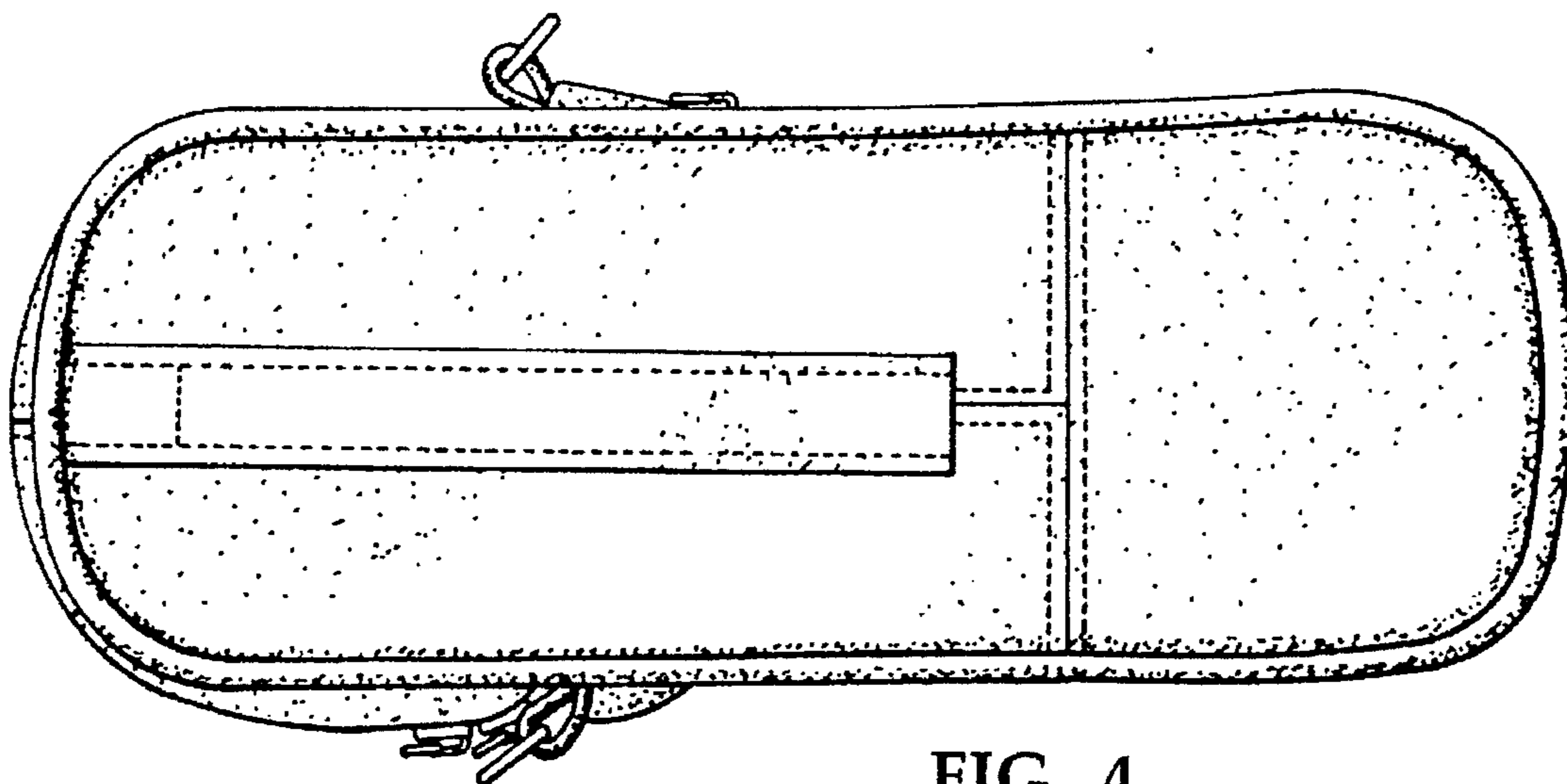


FIG. 4

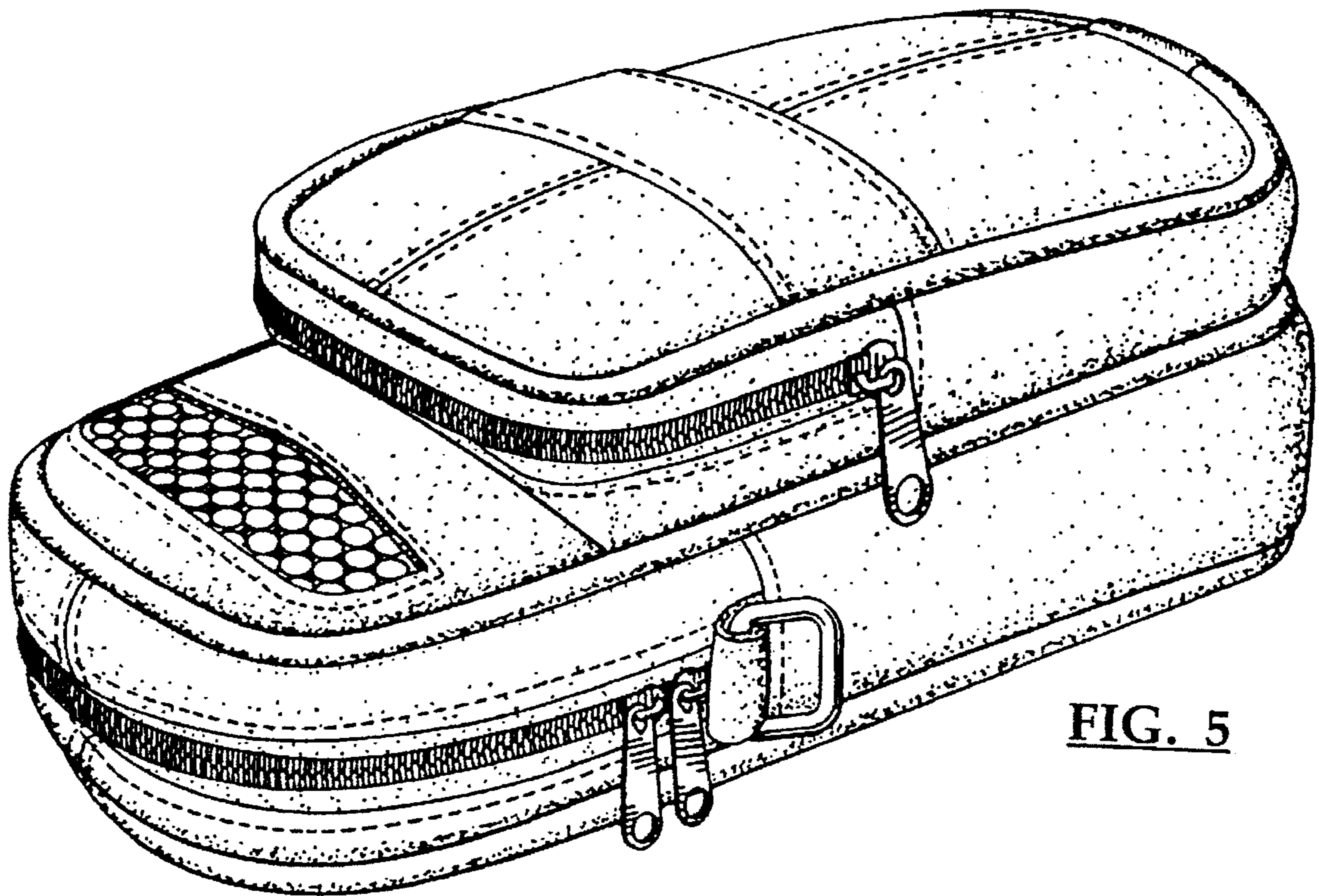


FIG. 5

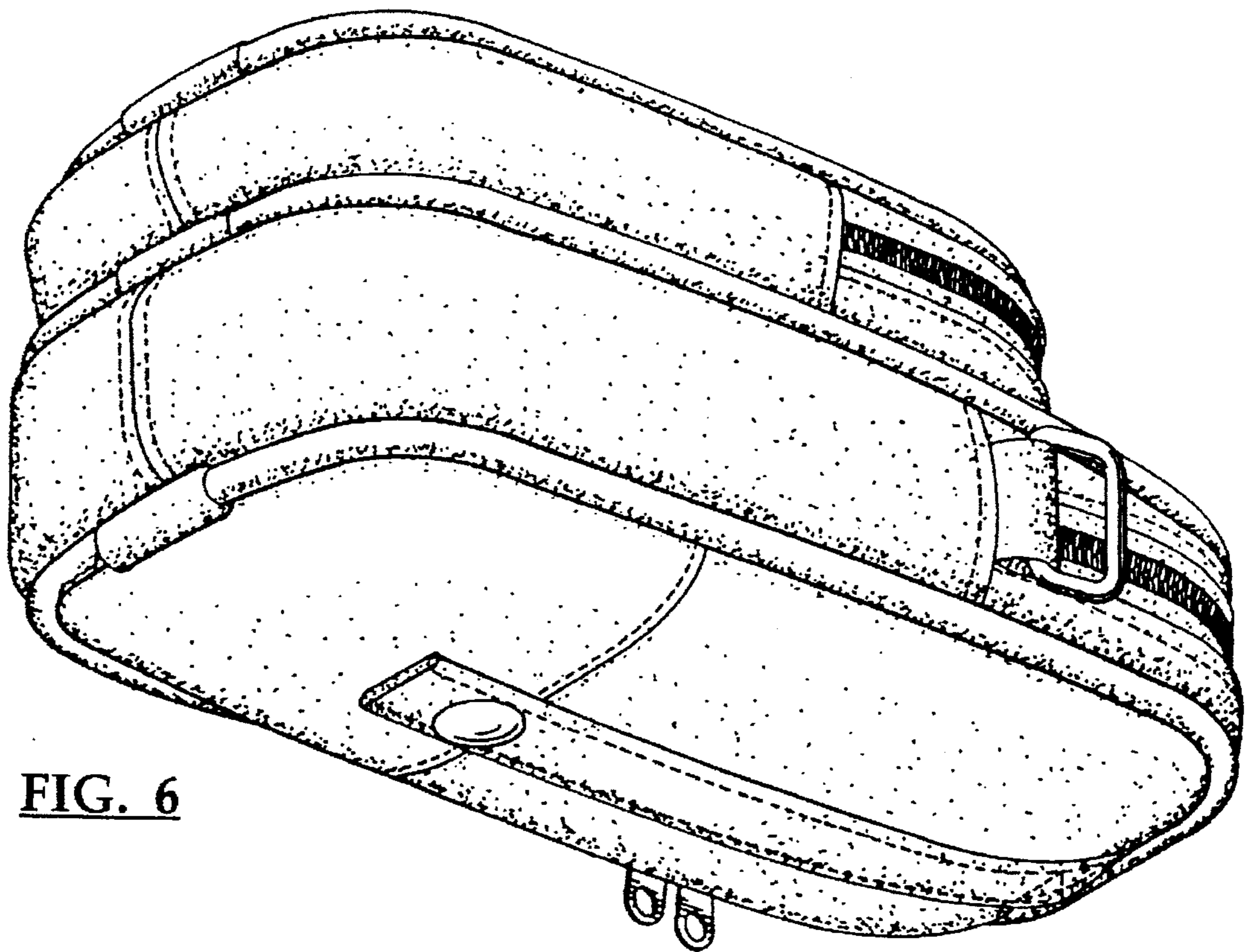


FIG. 6



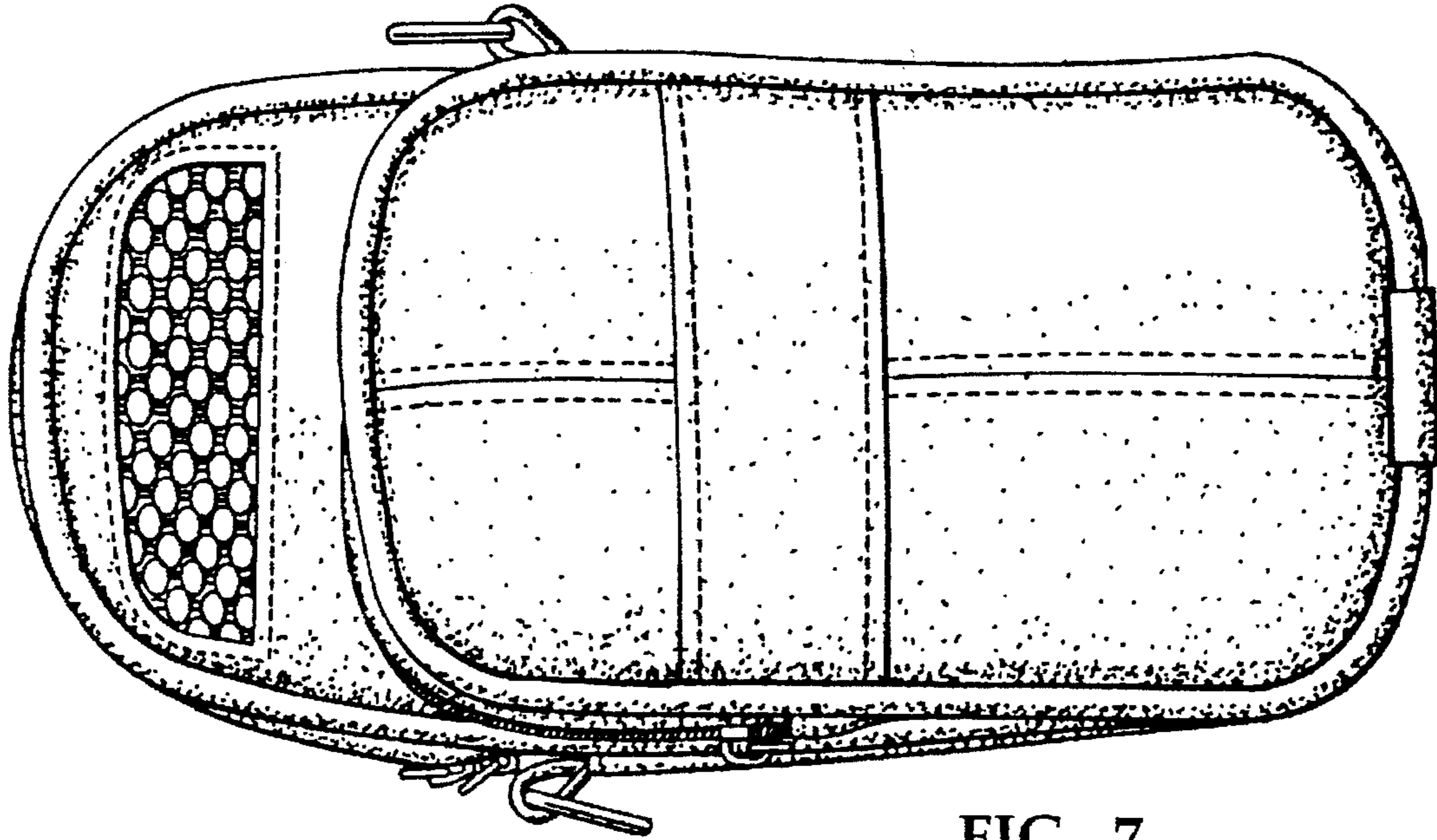


FIG. 7

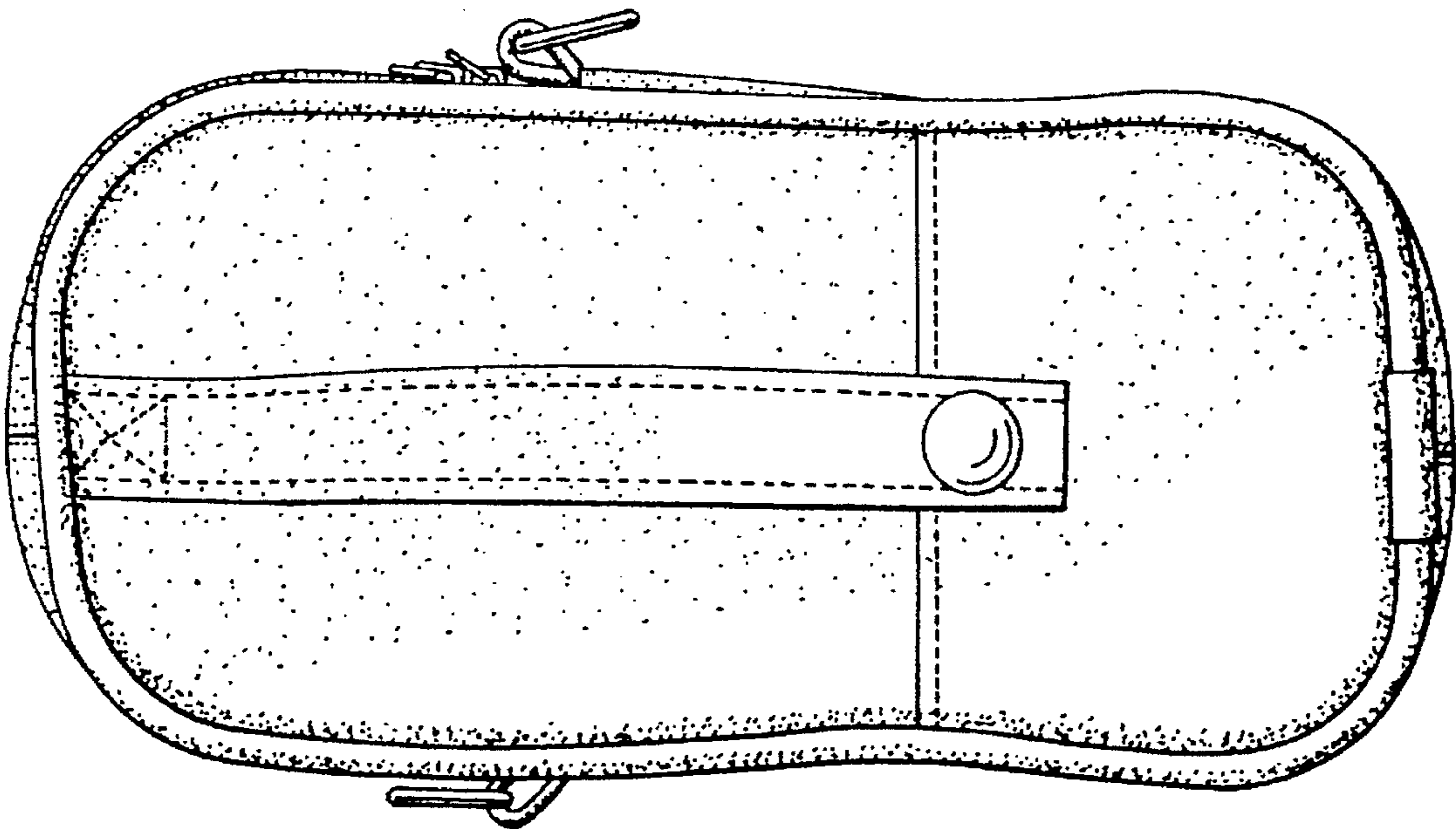


FIG. 8