



US00D379261S

United States Patent [19] Hardy

[11] Patent Number: **Des. 379,261**
[45] Date of Patent: ****May 20, 1997**

[54] **COMBINATION BACKPACK AND GAME CARRIER**

[76] Inventor: **Forrest G. Hardy**, 1375 NE. 17th St., Gresham, Oreg. 97030

[**] Term: **14 Years**

[21] Appl. No.: **44,551**

[22] Filed: **Sep. 26, 1995**

[51] LOC (6) Cl. **03-01**

[52] U.S. Cl. **D3/216; 224/157; 224/921**

[58] Field of Search **D3/216, 217, 221, D3/254, 262, 904; 224/157, 184, 921; 403/391**

[56] **References Cited**

U.S. PATENT DOCUMENTS

D. 365,926	1/1996	D'Angelo	D3/216	X
2,778,552	1/1957	Thompson	224/921	X
4,045,040	8/1977	Fails	224/184	X
4,087,030	5/1978	Knight	.		
4,168,793	9/1979	Knight	224/157	X
4,431,121	2/1984	Benscite	.		
4,664,395	5/1987	McCoy	.		

4,706,858	11/1987	Whatley	224/184	
4,783,862	11/1988	Murphy	224/157	X
4,838,565	6/1989	Douglas et al.	224/184	X
5,005,844	4/1991	Douglas et al	224/184	X

Primary Examiner—Prabhakar G. Deshmukh
Attorney, Agent, or Firm—James A. Hudak

[57] **CLAIM**

The ornamental design for a combination backpack and game carrier, as shown and described.

DESCRIPTION

FIG. 1 is a perspective view of a combination backpack and game carrier showing my new design; The broken line showing of another backpack is for illustrative purpose only and forms no part of the claim;

FIG. 2 is a front elevational view thereof;

FIG. 3 is a rear elevational view thereof;

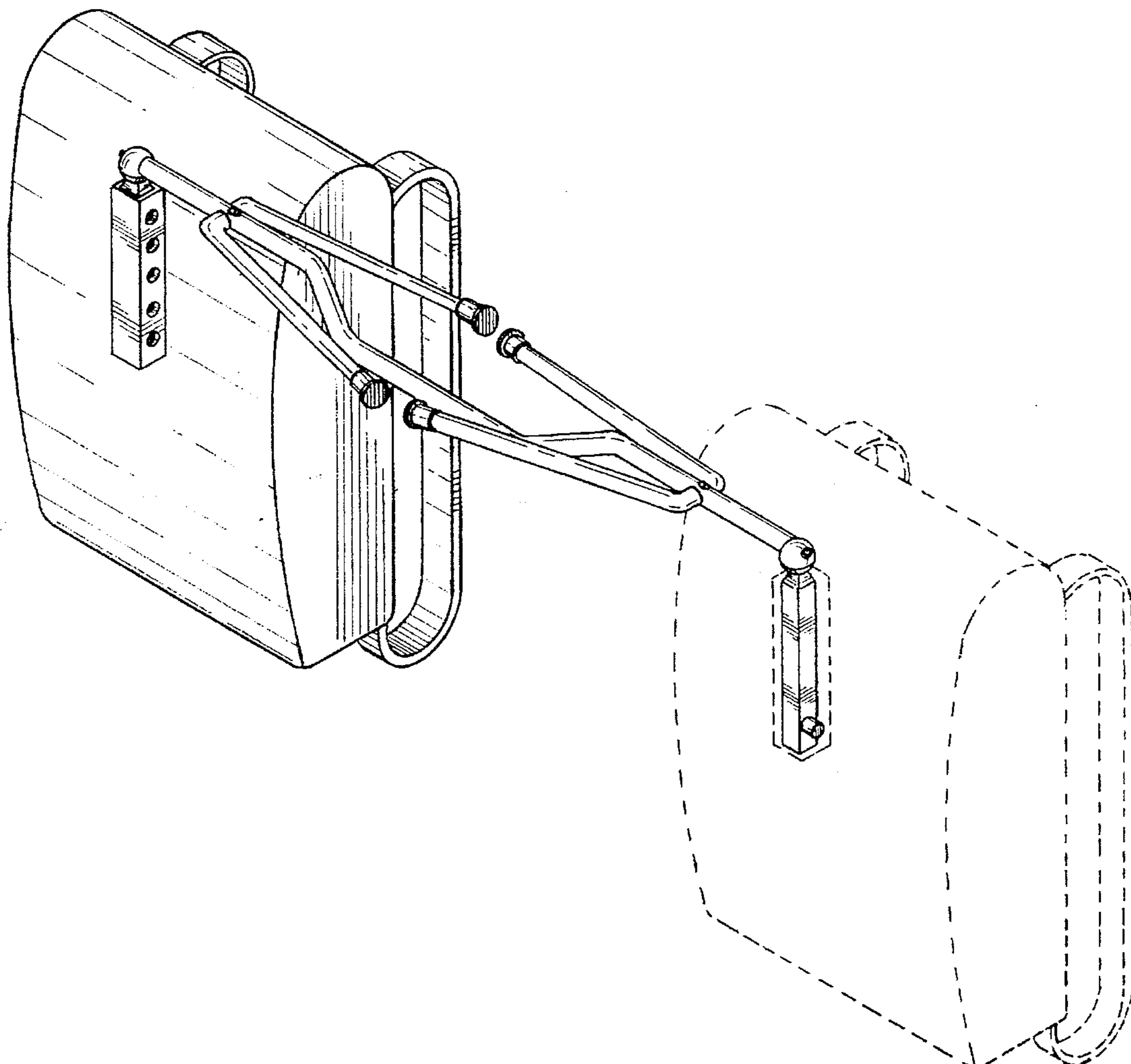
FIG. 4 is a right end elevational view thereof;

FIG. 5 is a left end elevational view thereof;

FIG. 6 is a top plan view thereof; and,

FIG. 7 is a bottom plan view thereof.

1 Claim, 4 Drawing Sheets



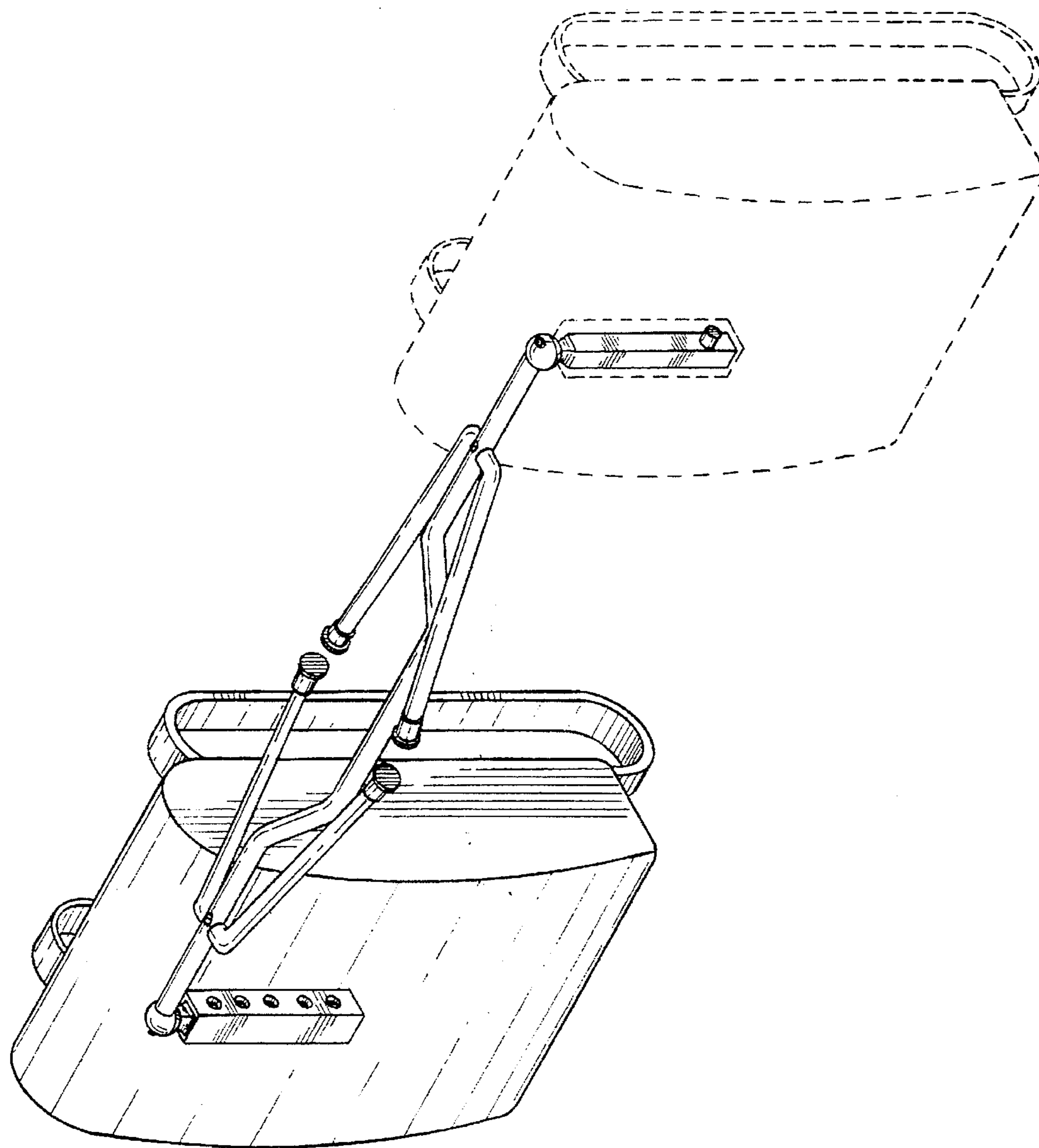


FIG. 1

FIG. 2

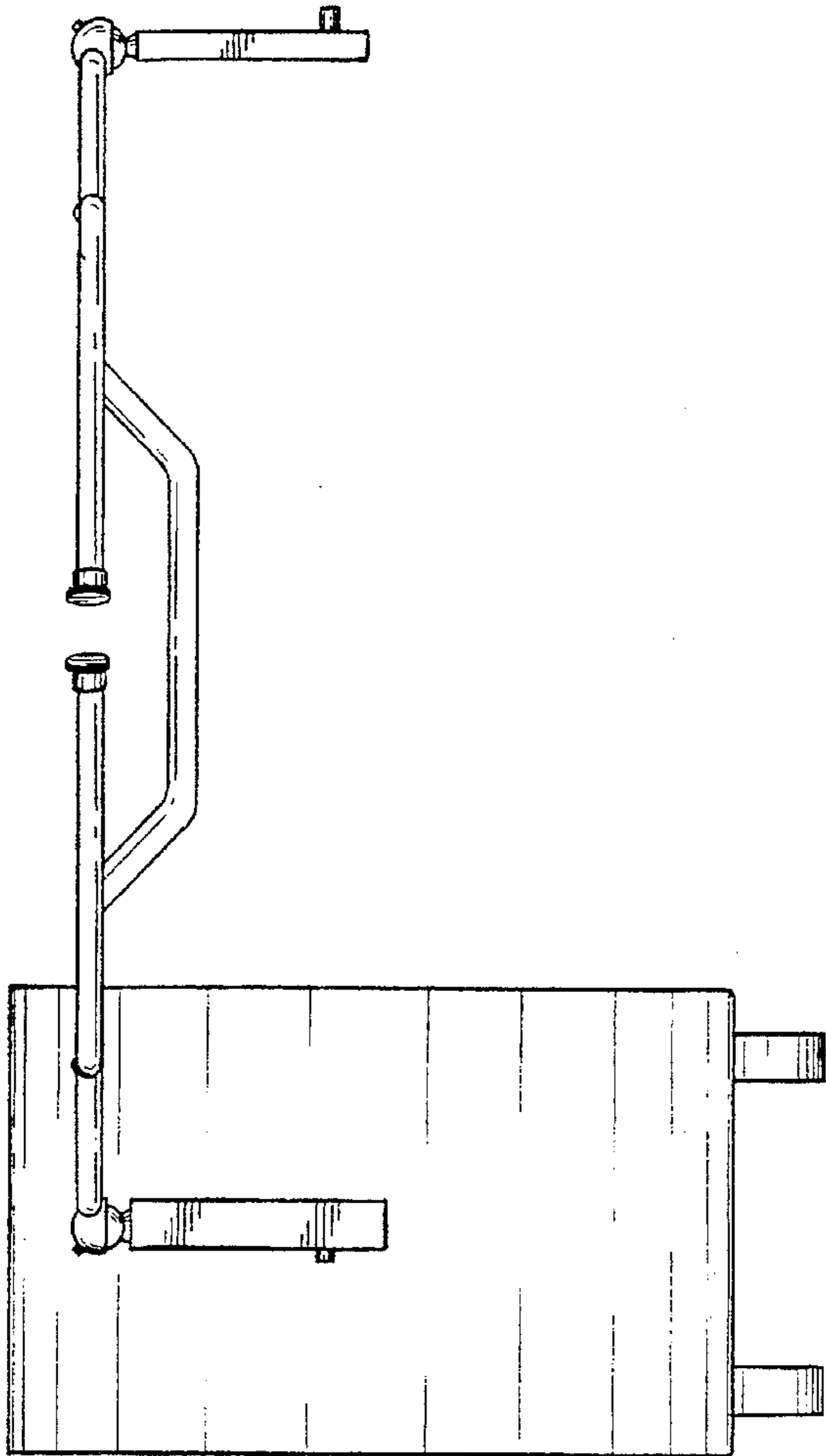
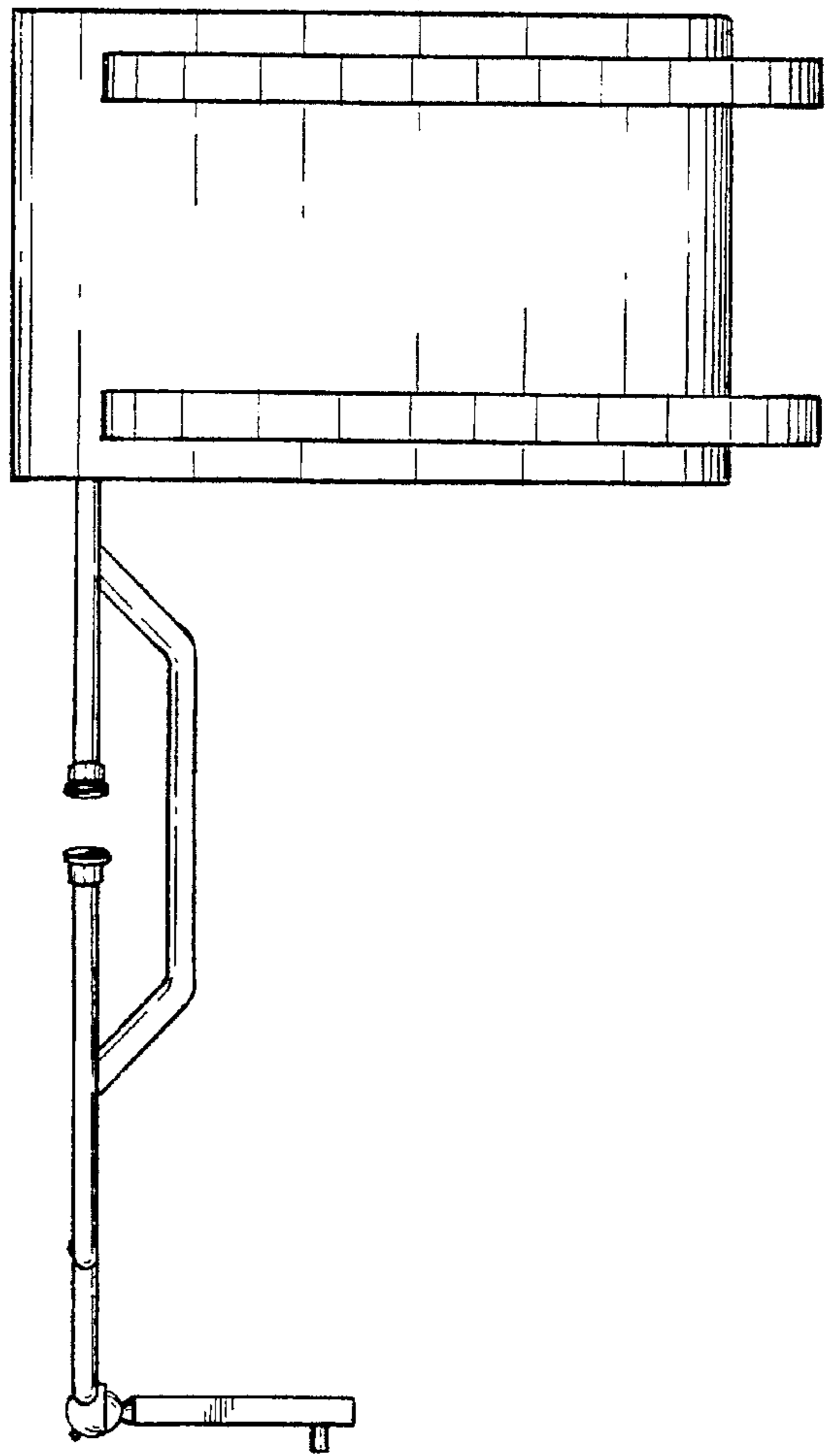


FIG. 3



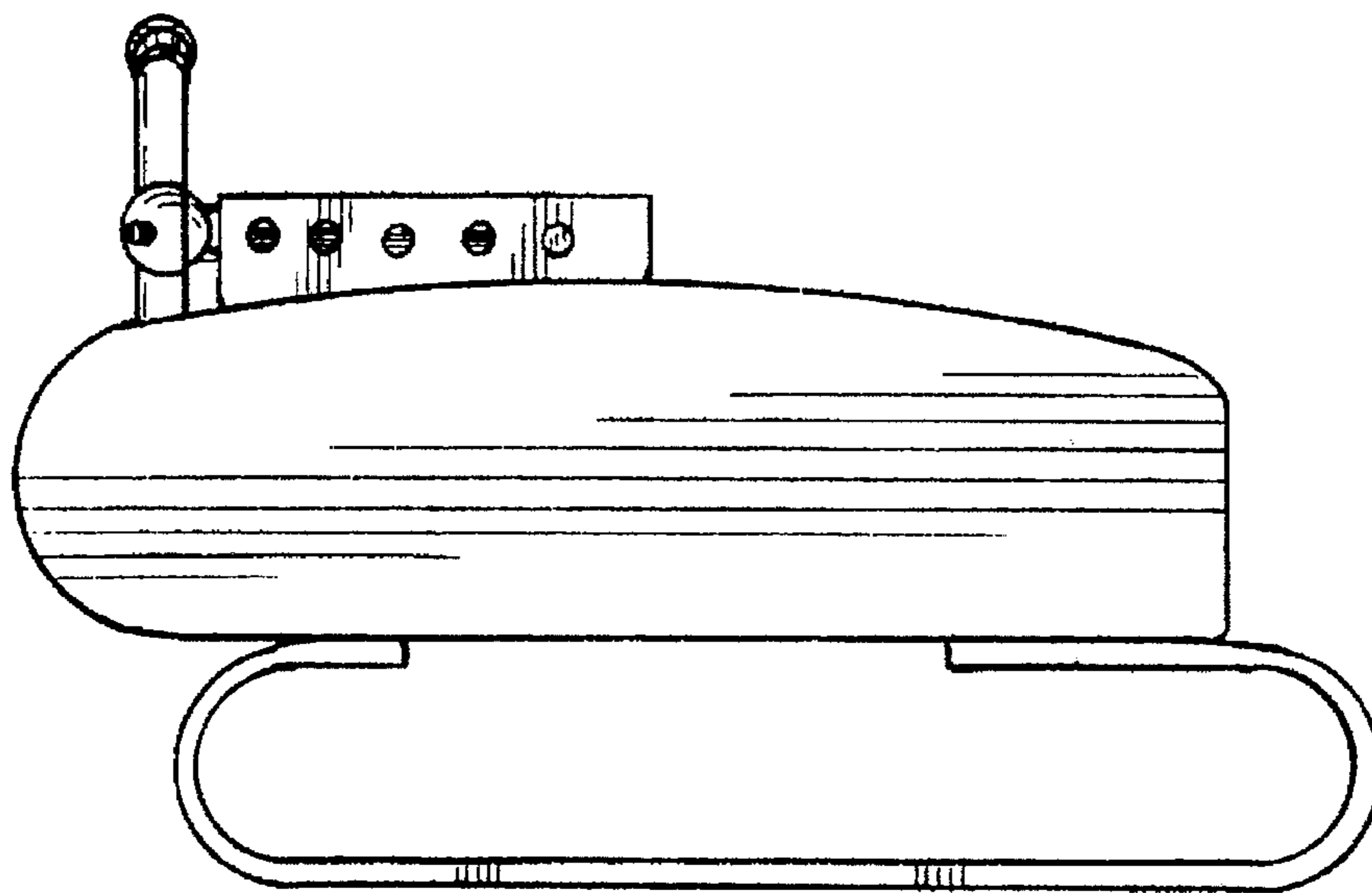


FIG. 5

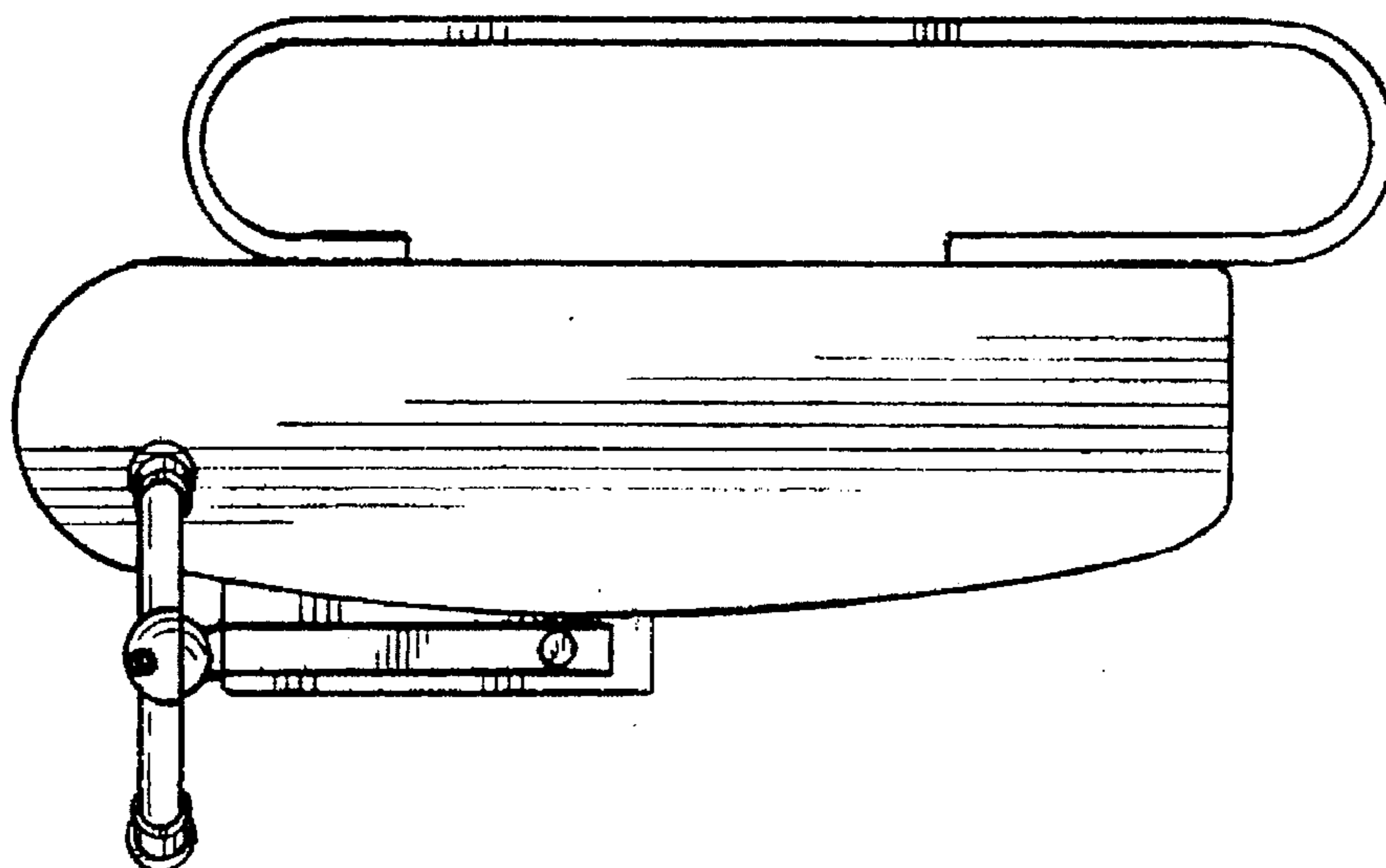


FIG. 4

FIG. 6

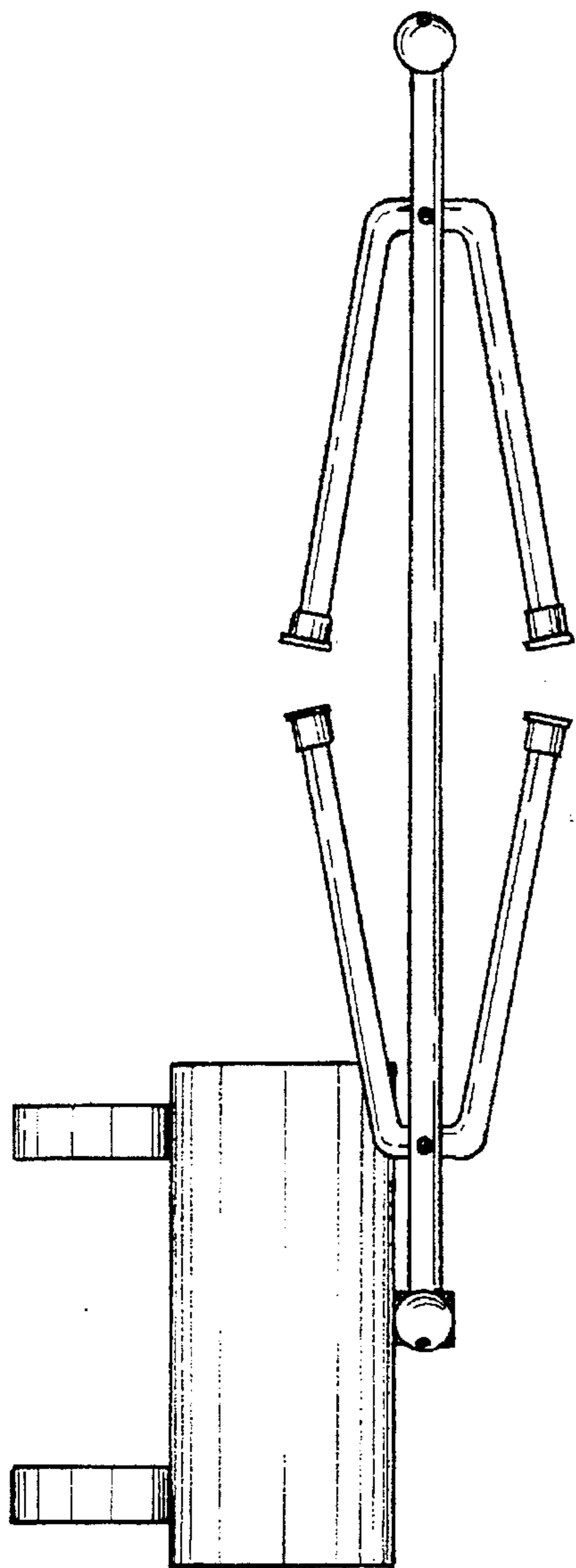


FIG. 7

