



US00D379255S

United States Patent [19] Steiner

[11] Patent Number: **Des. 379,255**
[45] Date of Patent: ****May 13, 1997**

[54] **LOTTERY TICKET SCRAPER**

5,419,004 5/1995 Fox 15/236.01

[76] Inventor: **Gregory J. Steiner**, W289 N520
Elmhurst Rd., Waukesha, Wis. 53188

FOREIGN PATENT DOCUMENTS

[**] Term: **14 Years**

807512 6/1951 Germany .
1014565A 4/1983 U.S.S.R. .

[21] Appl. No.: **40,369**

Primary Examiner—A. Hugo Word
Assistant Examiner—Cynthia E. Ramirez
Attorney, Agent, or Firm—Richard C. Litman

[22] Filed: **Jun. 16, 1995**

[51] **LOC (6) Cl.** **08-05**

[52] **U.S. Cl.** **D32/46**

[58] **Field of Search** D32/40, 46, 49,
D32/35, 47, 48; 15/77, 88.3, 236.01, 237,
236.07, 236.05, 245.1, 236.09; 134/9

[57] CLAIM

The ornamental design for a lottery ticket scraper, as shown and described.

DESCRIPTION

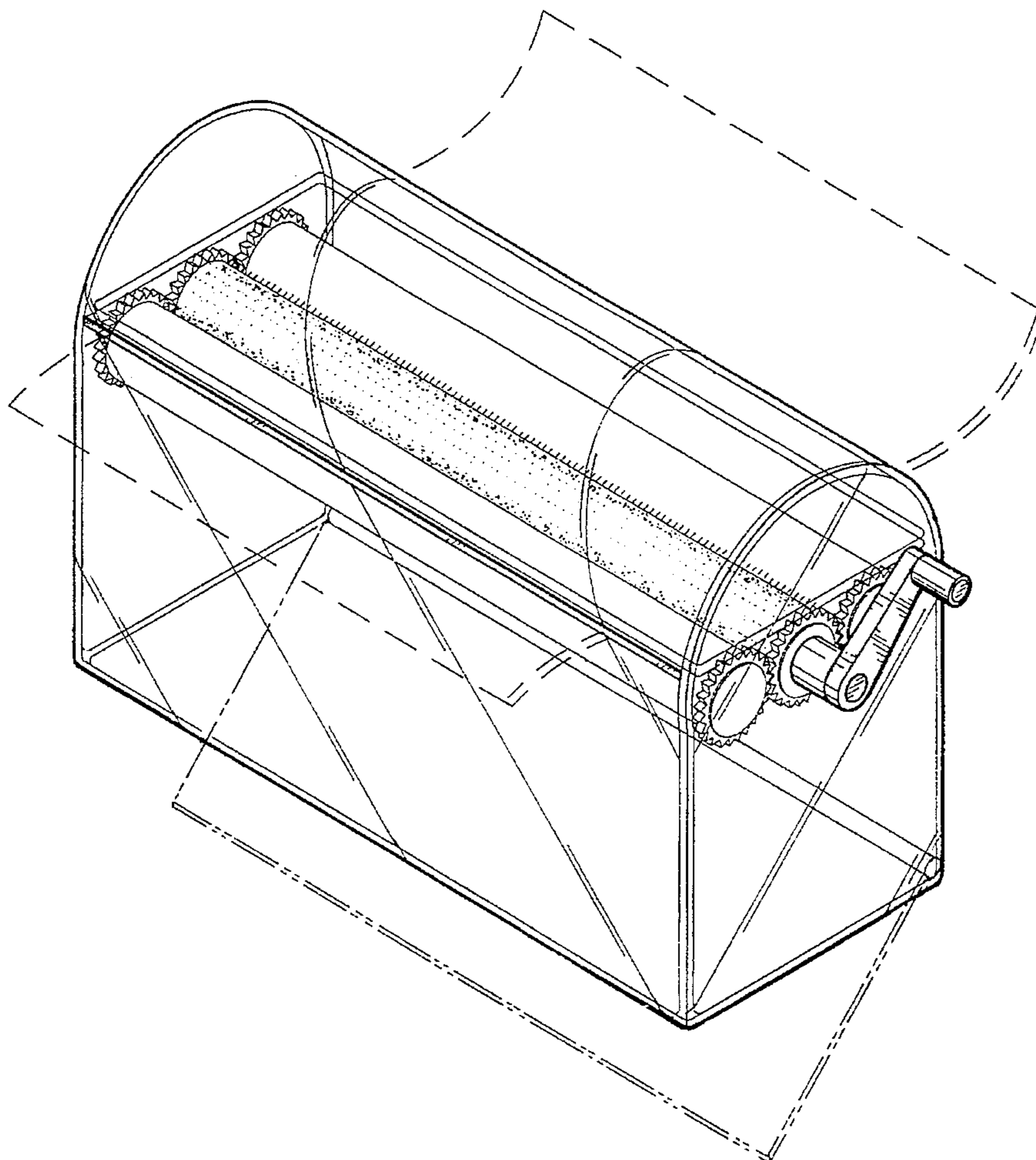
FIG. 1 is a perspective view of a lottery ticket scraper showing my new design;
FIG. 2 is a top view thereof;
FIG. 3 is a front elevational view thereof;
FIG. 4 is a left side elevational view thereof;
FIG. 5 is a right side elevational view thereof; and,
FIG. 6 is a bottom view thereof.
The broken line showing of a lottery ticket and the hinged bottom in FIG. 1 is for illustrative purposes only and forms no part of the claimed design.

[56] References Cited

U.S. PATENT DOCUMENTS

D. 206,260	11/1966	Yeaman	D32/1
235,328	12/1880	Zimmerman et al.	15/77
2,158,694	5/1939	Fenton	134/9
4,654,923	4/1987	Faciane et al.	15/236.01
4,765,842	8/1988	Sanders et al.	134/9
4,777,693	10/1988	Diba et al.	15/236.01
4,793,061	12/1988	Rizzo, Jr.	15/236.01
4,881,291	11/1989	Ellis et al.	215/236.01
4,907,823	3/1990	Windish	281/31

1 Claim, 3 Drawing Sheets



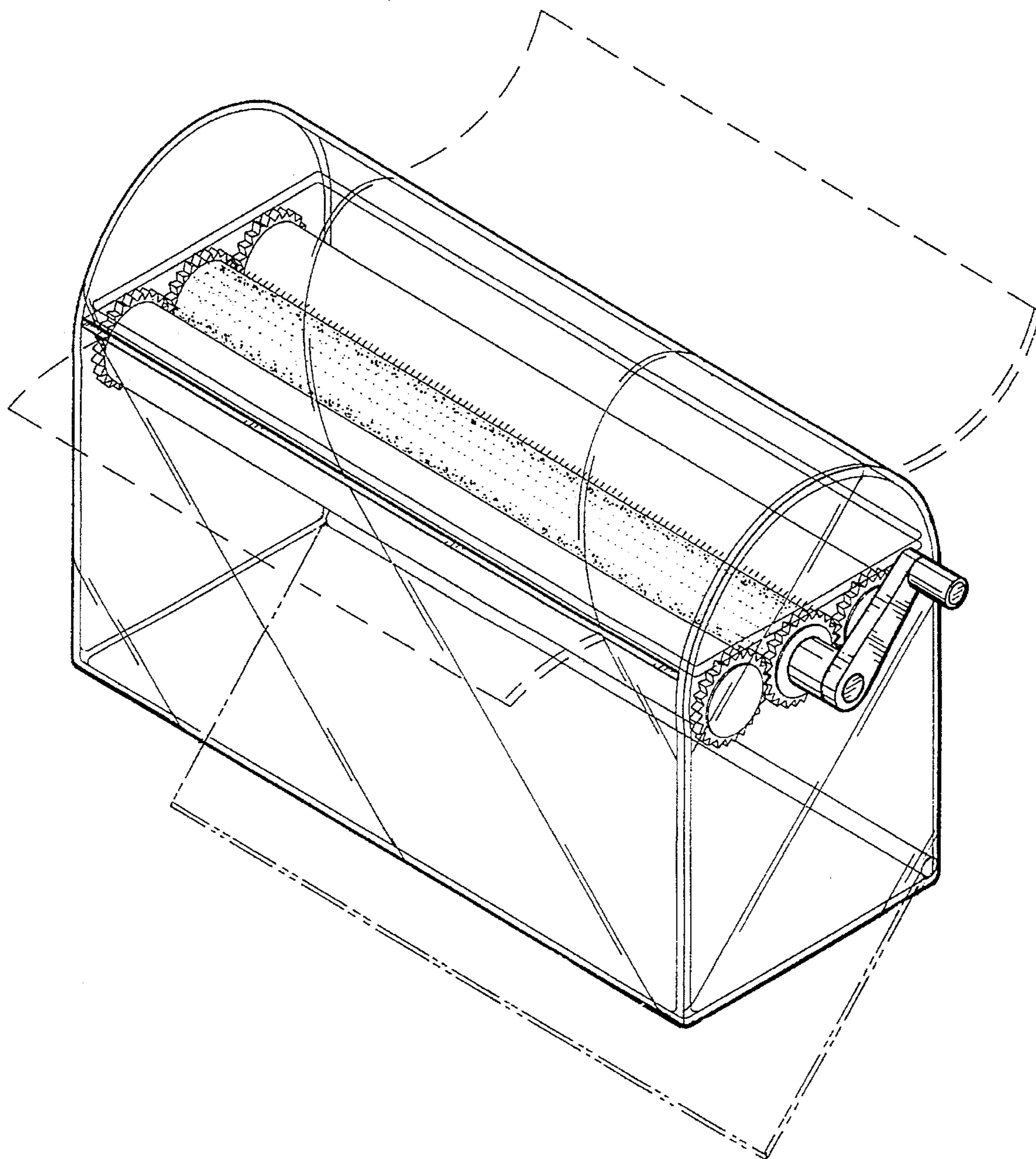


FIG. 1

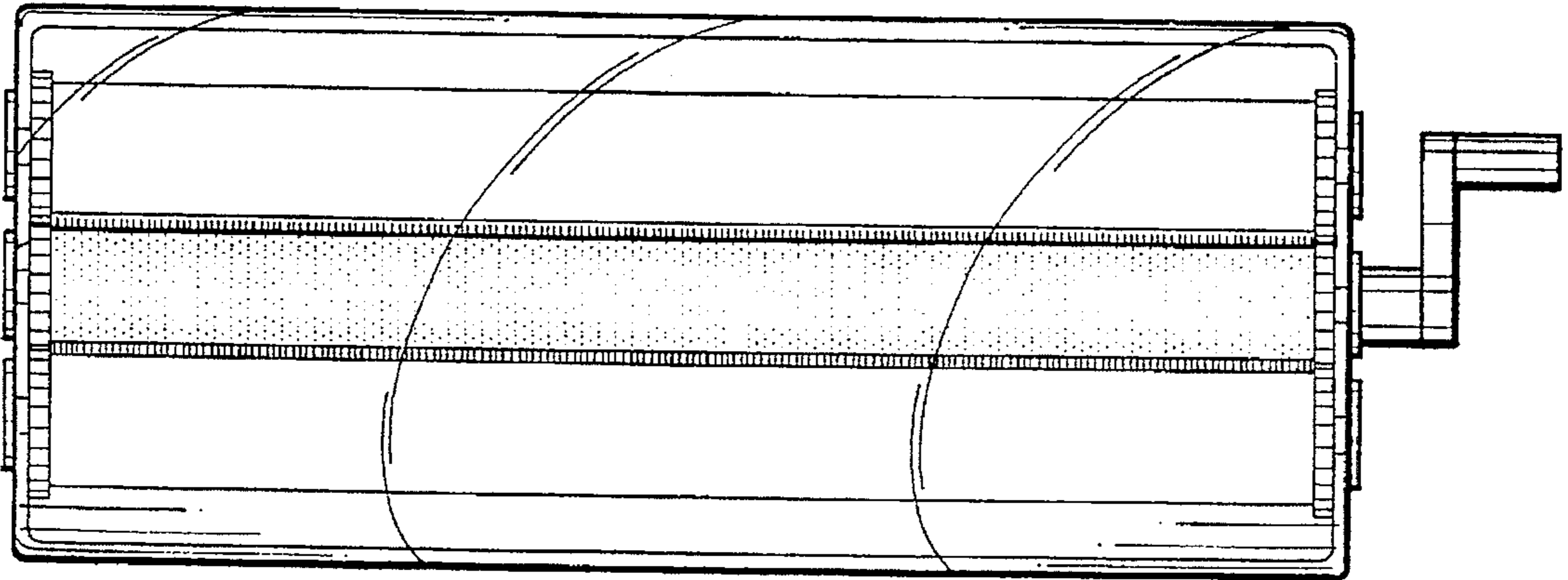


FIG. 2

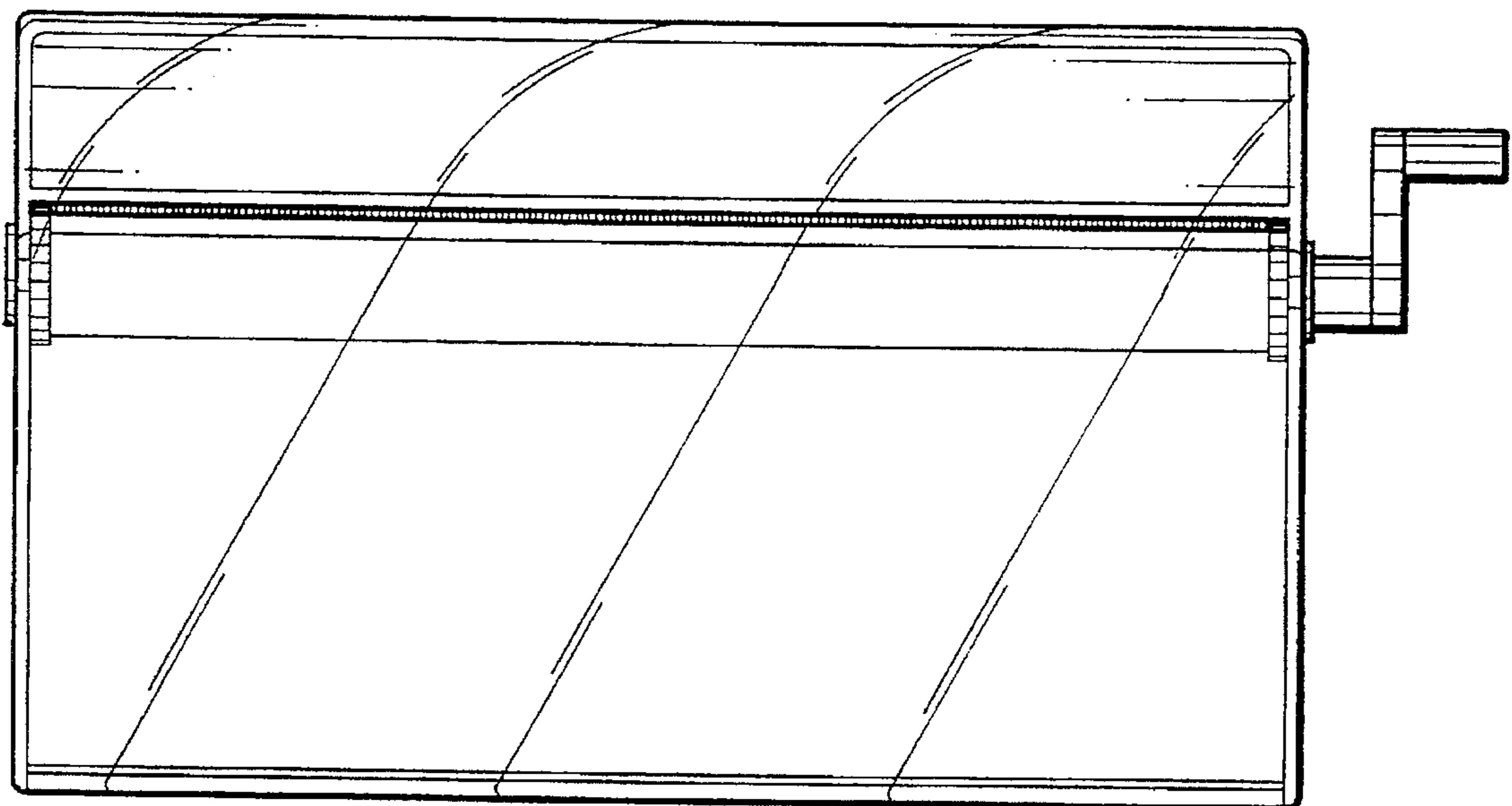


FIG. 3

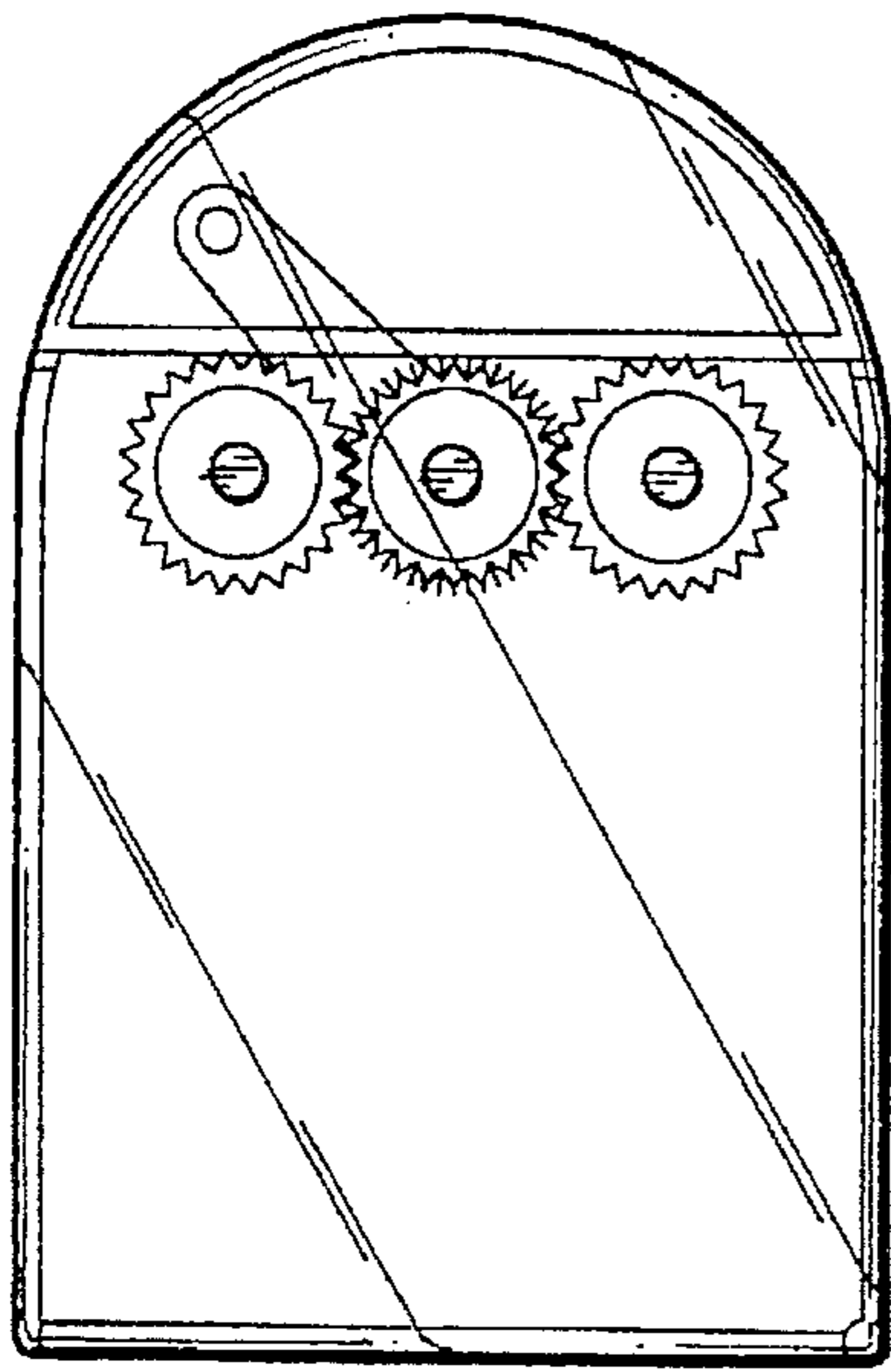


FIG. 4

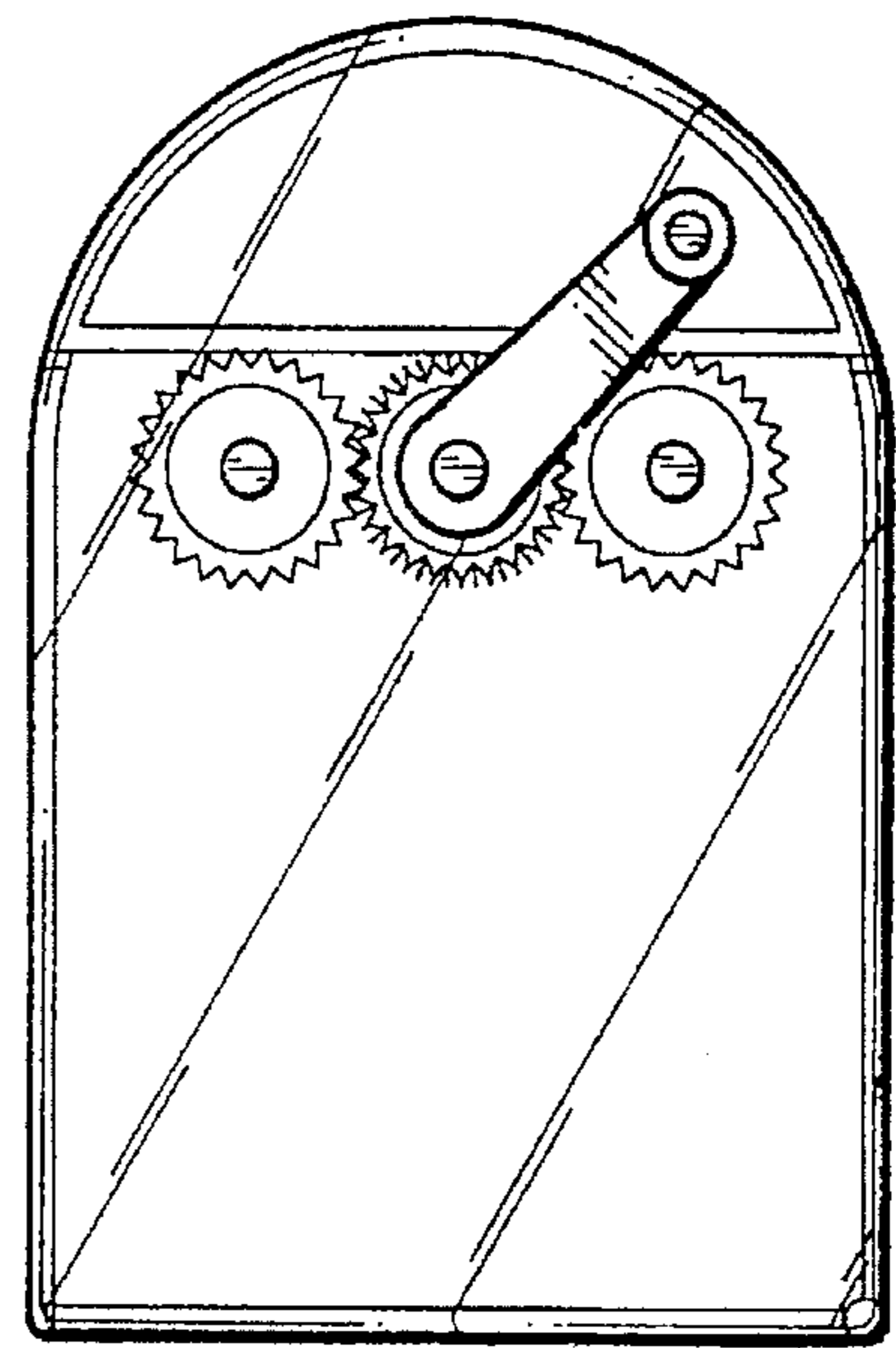


FIG. 5

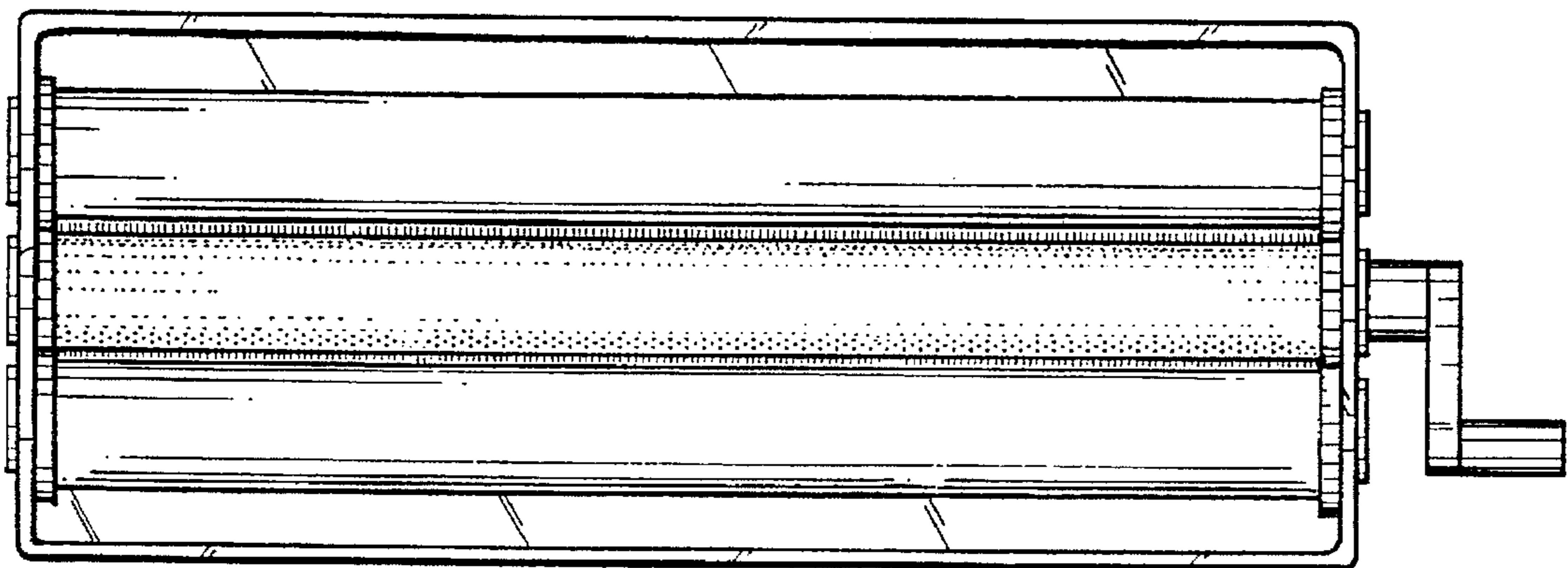


FIG. 6