



US00D379254S

United States Patent [19]

[11] Patent Number: **Des. 379,254**

Roberts et al.

[45] Date of Patent: ****May 13, 1997**

[54] **VACUUM CLEANER UPRIGHT PORTION**

[75] Inventors: **Kenneth L. Roberts**, Walker; **Steven R. Umbach**, East Grand Rapids; **Michael D. Luyckx**, Bloomfield Hills, all of Mich.

[73] Assignee: **Bissell Inc.**, Grand Rapids, Mich.

[**] Term: **14 Years**

[21] Appl. No.: **44,093**

[22] Filed: **Sep. 18, 1995**

[51] LOC (6) Cl. **15-05**

[52] U.S. Cl. **D32/31**

[58] Field of Search D32/21, 22, 31-34; 15/320, 322, 323, 347, 350-353

- D. 344,821 3/1994 McKnight .
- D. 346,053 4/1994 Hoshino .
- D. 346,469 4/1994 Furcron et al. .
- D. 354,379 1/1995 Shinozaki .
- D. 357,096 4/1995 Wareham .
- 5,233,722 8/1993 McKnight et al. .
- 5,247,719 9/1993 Wareham et al. .

OTHER PUBLICATIONS

Service Merchandise, p. 38. "Eureka upright vacuum cleaners" Dec. 1992.

Service Merchandise, p. 36. "Dirt Devil Upright vacuum cleaners" Dec. 1992.

Primary Examiner—Ruth McInroy

Attorney, Agent, or Firm—Varnum, Riddering, Schmidt & Howlett LLP

[57] CLAIM

The ornamental design for a vacuum cleaner upright portion, as shown and described.

DESCRIPTION

FIG. 1 is a perspective view of a vacuum cleaner upright portion showing our new design; FIG. 2 is a left side view thereof; FIG. 3 is a front elevational view thereof; FIG. 4 is a right side view thereof; FIG. 5 is a back elevational view thereof; FIG. 6 is a top view thereof; and, FIG. 7 is a bottom view thereof.

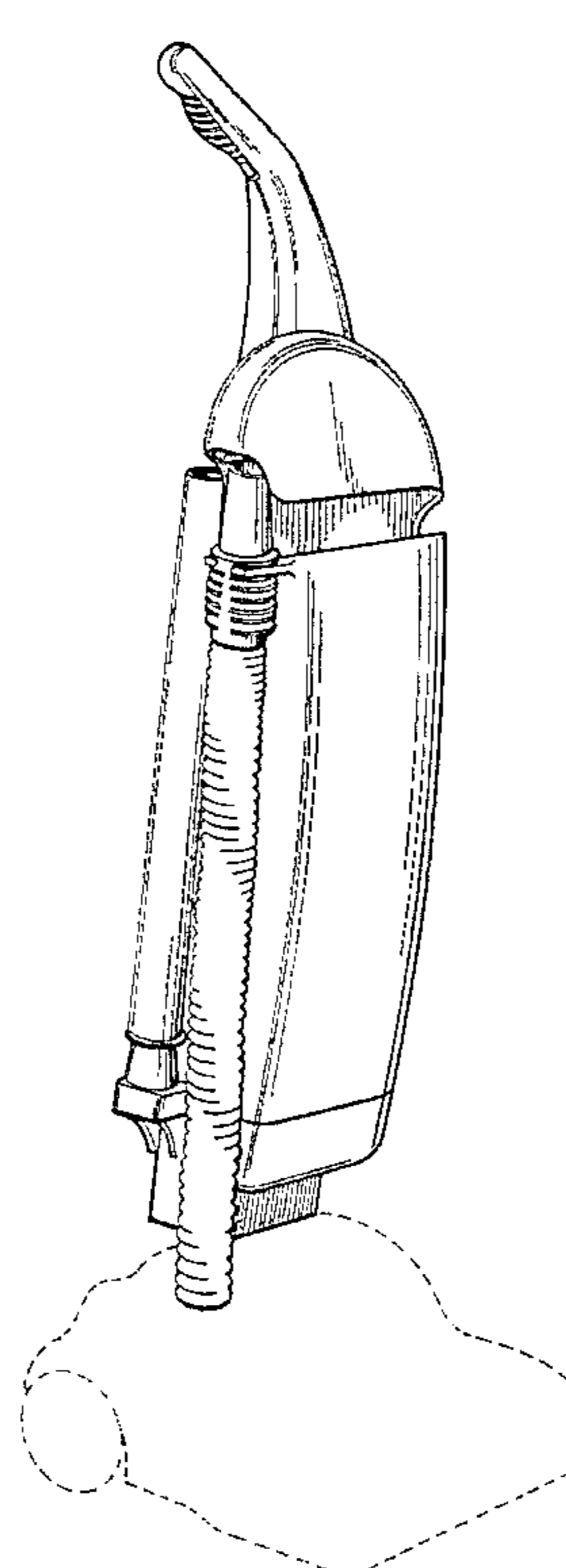
The portion of the vacuum cleaner shown in broken lines in FIGS. 1-6 is shown for illustrative purposes only and forms no part of the claimed invention.

1 Claim, 4 Drawing Sheets

References Cited

U.S. PATENT DOCUMENTS

- D. 301,784 6/1989 Petralia et al. .
- D. 309,806 8/1990 Chieda et al. .
- D. 316,617 4/1991 Petralia et al. .
- D. 319,517 8/1991 Sovis et al. .
- D. 325,658 4/1992 Brewin .
- D. 328,372 7/1992 Kieft .
- D. 329,511 9/1992 McKnight .
- D. 330,615 10/1992 Essex et al. .
- D. 330,616 10/1992 Wareham et al. .
- D. 330,787 11/1992 Waltz et al. .
- D. 333,020 2/1993 McKnight .
- D. 334,257 3/1993 Lawrence et al. D32/22
- D. 334,260 3/1993 Kieft et al. .
- D. 334,261 3/1993 McKnight .
- D. 339,433 9/1993 Stein et al. .
- D. 339,435 9/1993 McKnight et al. .



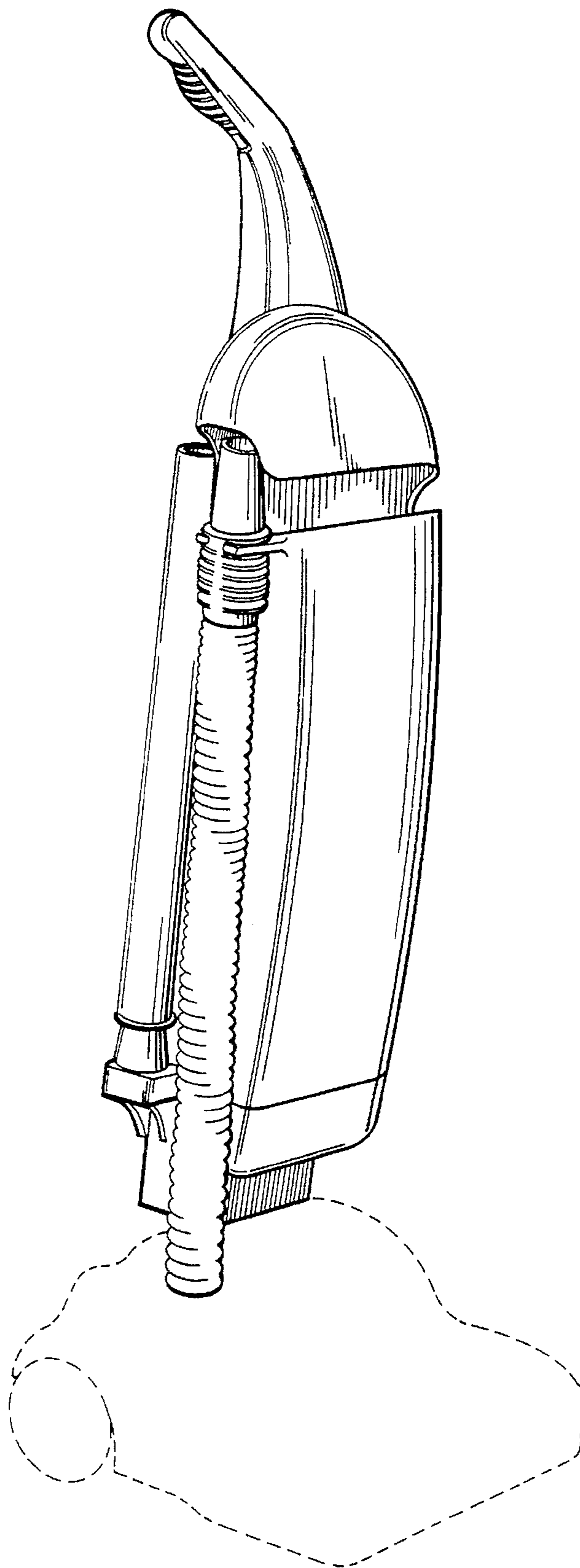


Fig. 1

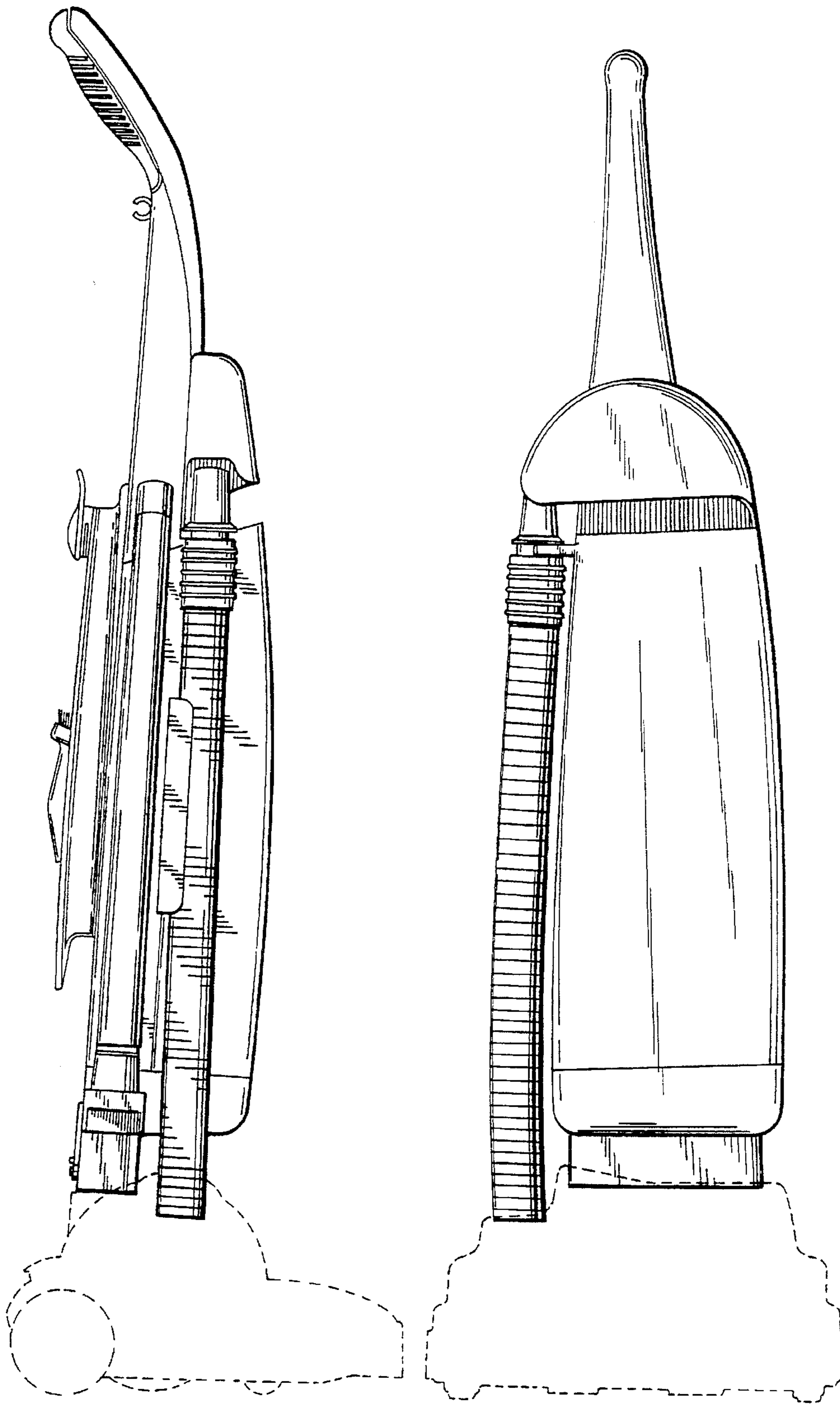


Fig. 2

Fig. 3

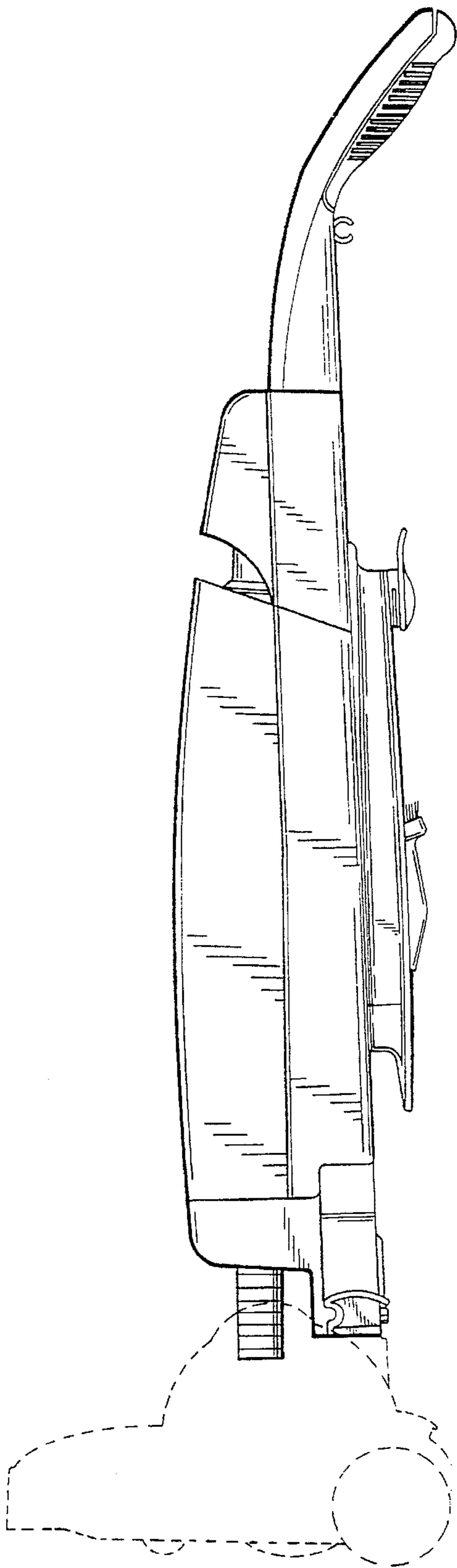


Fig. 4

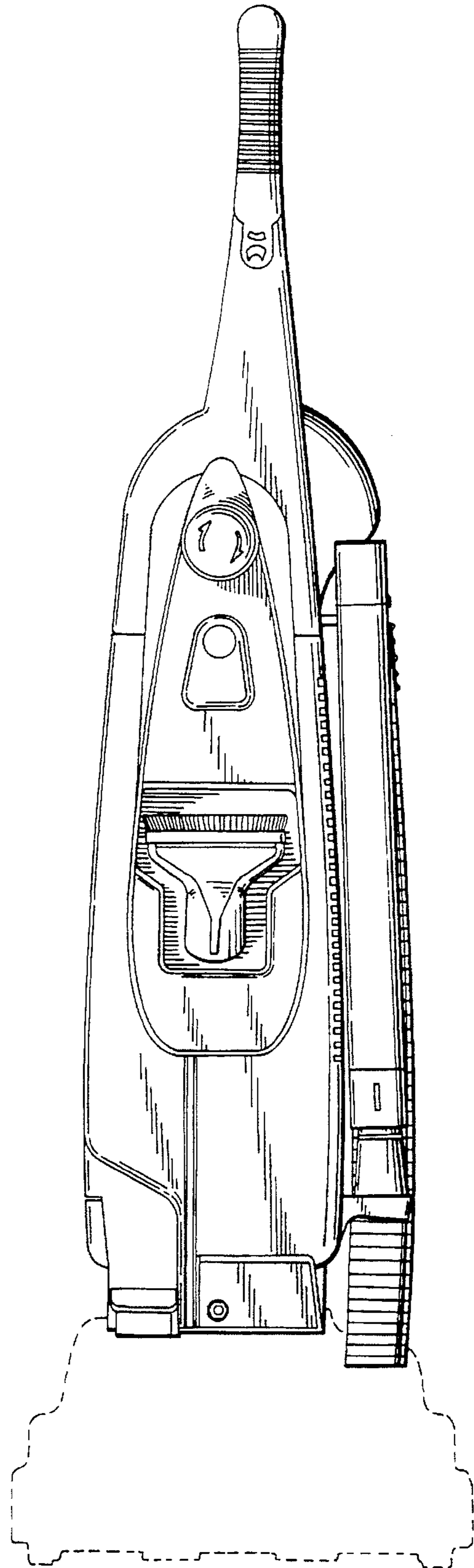


Fig. 5

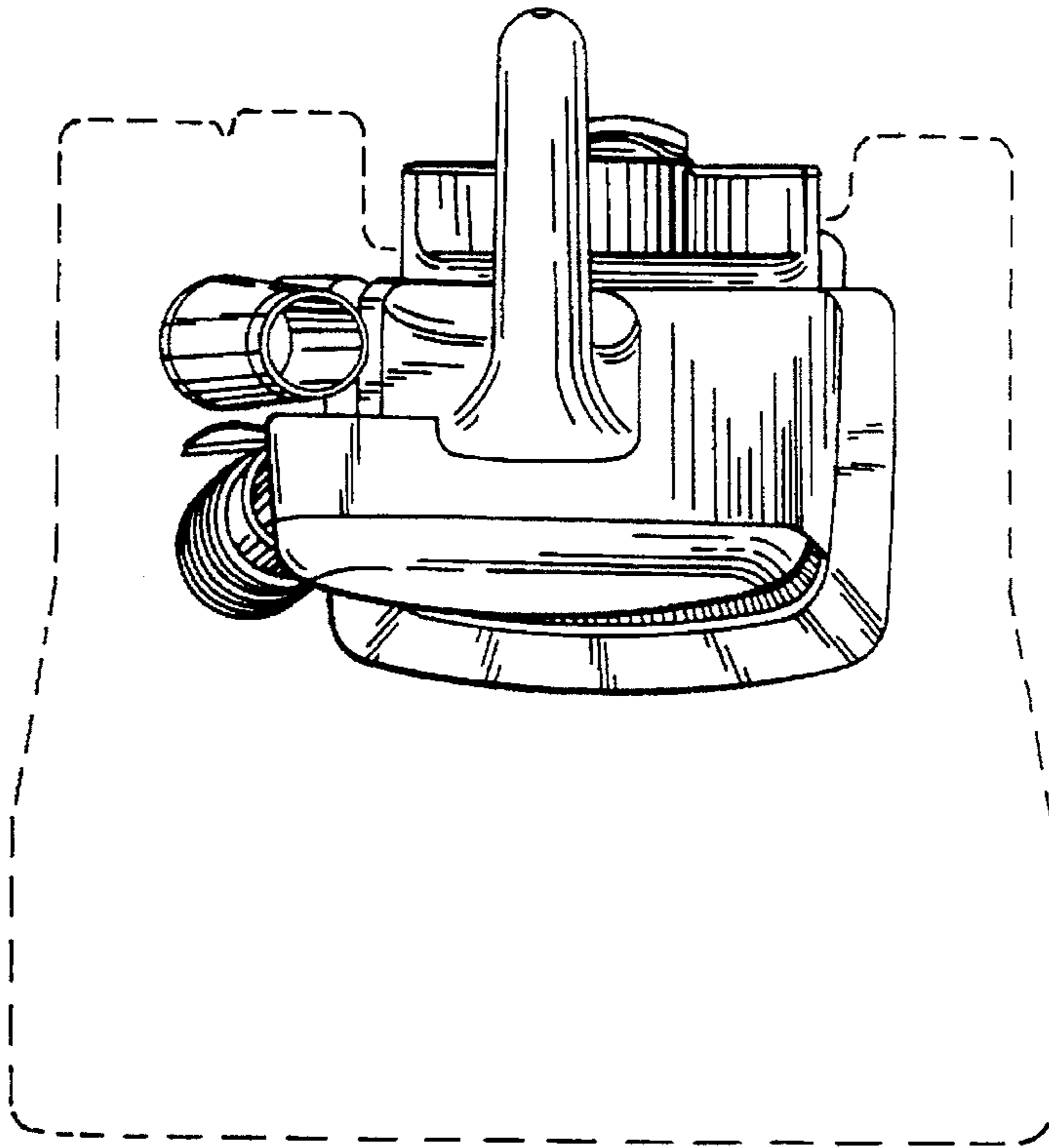


Fig. 6

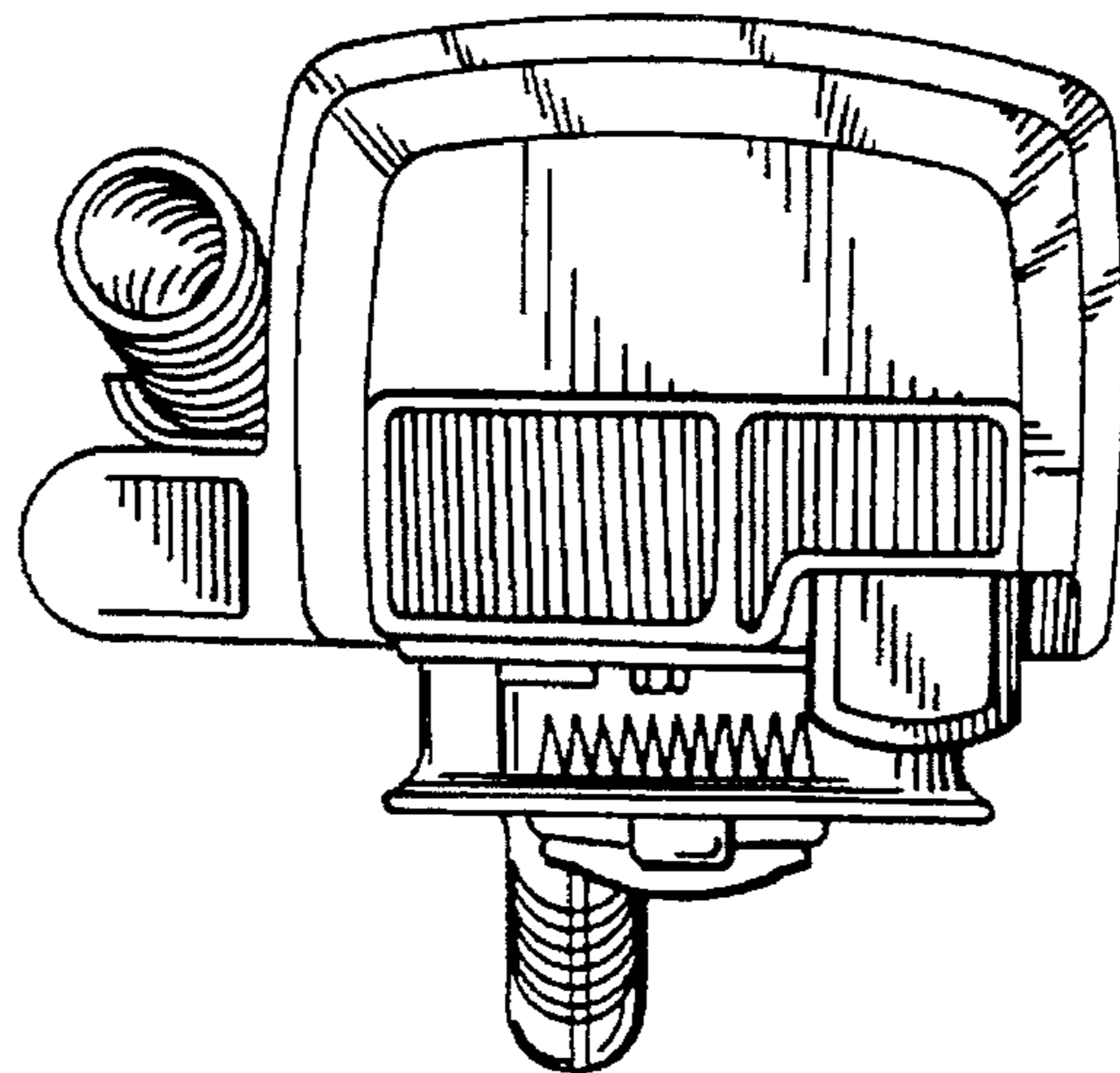


Fig. 7