



US00D379246S

# United States Patent [19]

[11] Patent Number: Des. 379,246

Haslam et al.

[45] Date of Patent: \*\*May 13, 1997

## [54] COMBINED TWIN FLOODLIGHT FIXTURE AND MOTION DETECTOR

[75] Inventors: **Gary M. Haslam**, Graham; **Andrew J. Parker**, Chapel Hill; **Edward R. Small**, Elon College, all of N.C.

[73] Assignee: **Regent Lighting Corporation**, Burlington, N.C.

[\*\*] Term: **14 Years**

[21] Appl. No.: **36,456**

[22] Filed: **Mar. 20, 1995**

[51] LOC (6) Cl. .... **26-05**

[52] U.S. Cl. .... **D26/63; D10/106**

[58] Field of Search ..... **D26/61, 63, 65; 362/153.1, 269, 275, 285, 418, 419, 421, 427; D10/104, 106, 114**

### [56] References Cited

#### U.S. PATENT DOCUMENTS

D. 301,634	6/1989	Decandia	.....	D26/63
D. 338,845	8/1993	Rohrs	.....	D10/106
D. 361,149	8/1995	Wedell	.....	D26/63
5,258,899	11/1993	Chen	.....	362/421 X
5,335,159	8/1994	Chen et al.	.....	362/421
5,381,323	1/1995	Osteen et al.	.....	362/421 X

Primary Examiner—Susan J. Lucas

1 Claim, 8 Drawing Sheets

## [57] CLAIM

The ornamental design for a combined twin floodlight fixture and motion detector, as shown and described.

## DESCRIPTION

FIG. 1 is a front elevational view of a combined twin floodlight and motion detector which fixture embodies a first form of our design;

FIG. 2 is a top plan view of the twin floodlight fixture of FIG. 1;

FIG. 3 is a rear elevational view of the fixture of FIGS. 1 and 2;

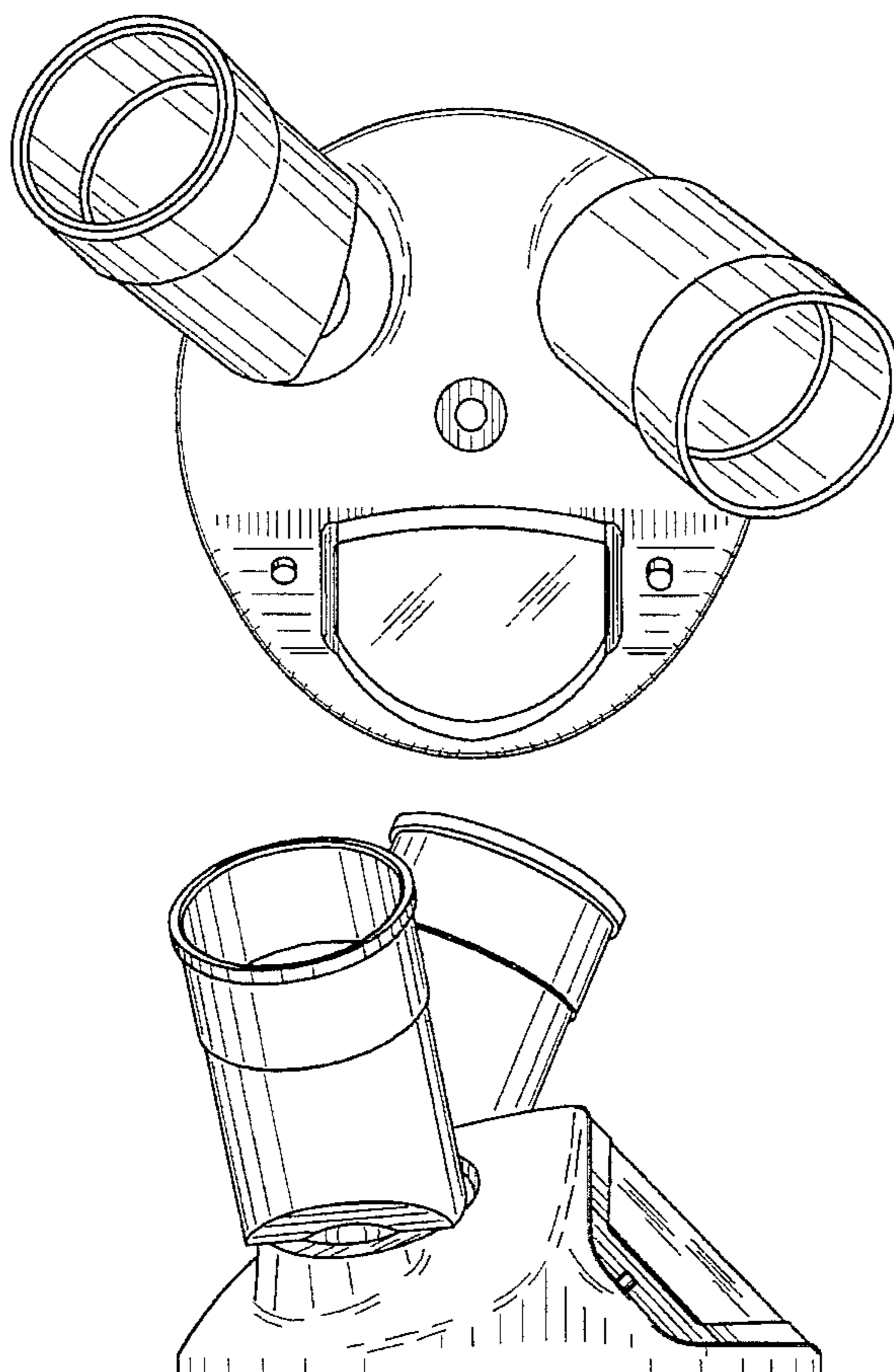
FIG. 4 is a left-hand side elevational view of the fixture of FIGS. 1-3, the right-hand side being a mirror image, but for the shape of the small protrusion to the right-hand side of the motion detector, the top of which is convex, rather than flat;

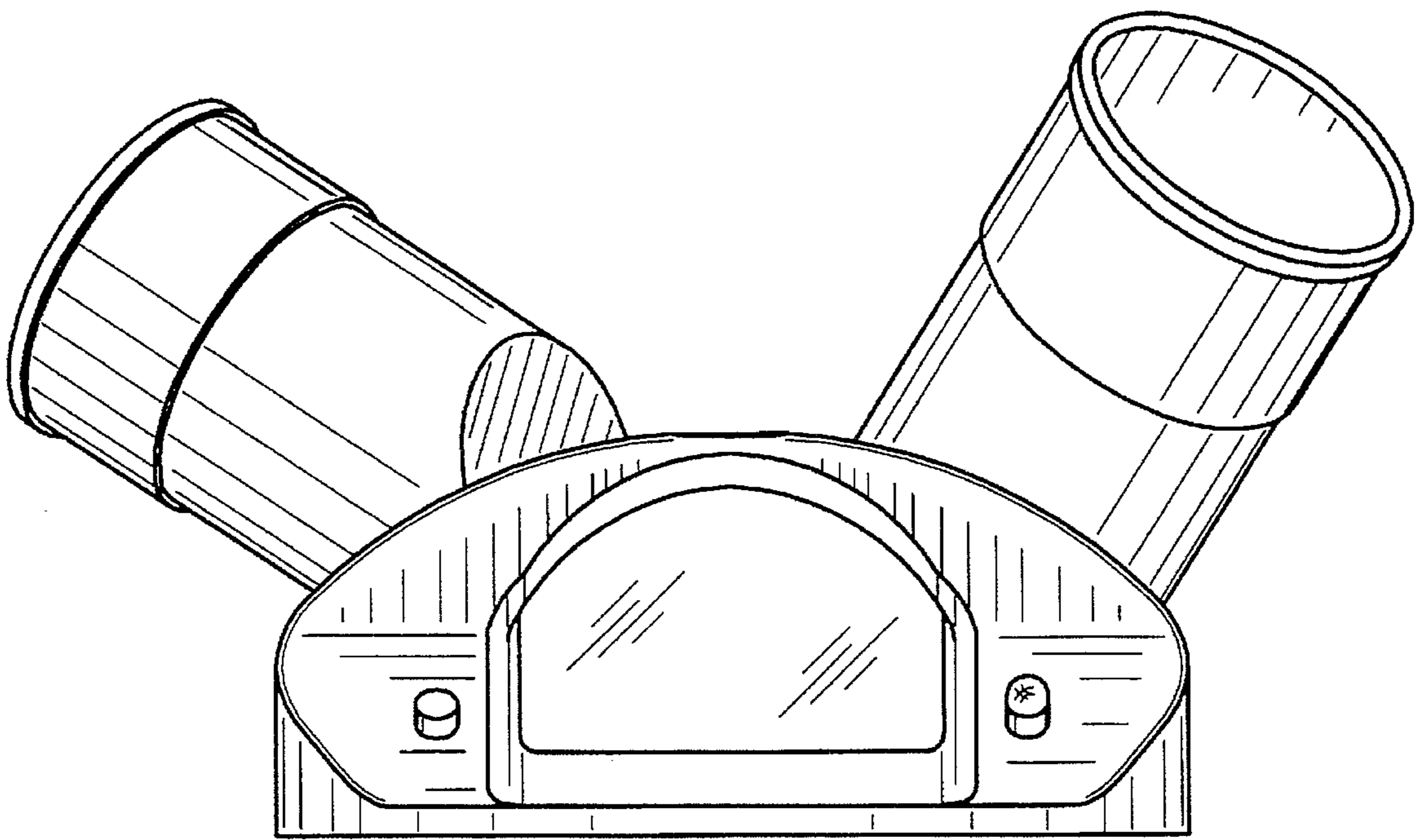
FIG. 5 is a top plan view of a modified form of twin floodlight fixture embodying a second form of our design;

FIG. 6 is a front elevational view of the twin floodlight fixture of FIG. 5 ;

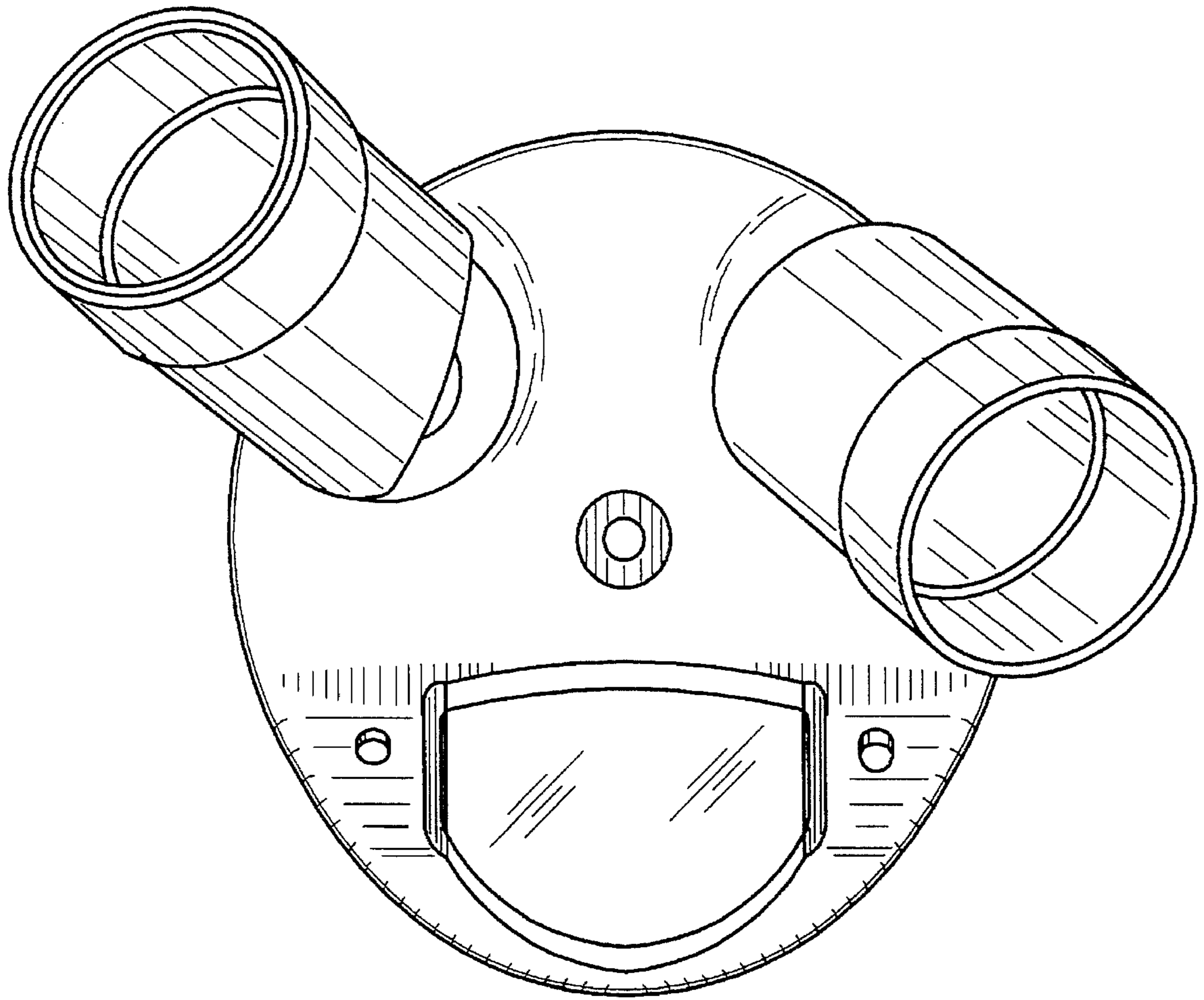
FIG. 7 is a right-hand side elevational view of the fixture of FIGS. 5 and 6, the left-hand side being a mirror image, but for the shape of the small protrusion to the left-hand side of the motion detector, the top of which is flat, rather than convex; and,

FIG. 8 is a rear elevational view of the fixture of FIGS. 5-7. The bottom surface of each of these fixtures is unornamented and is hidden from view during normal use of the fixture.

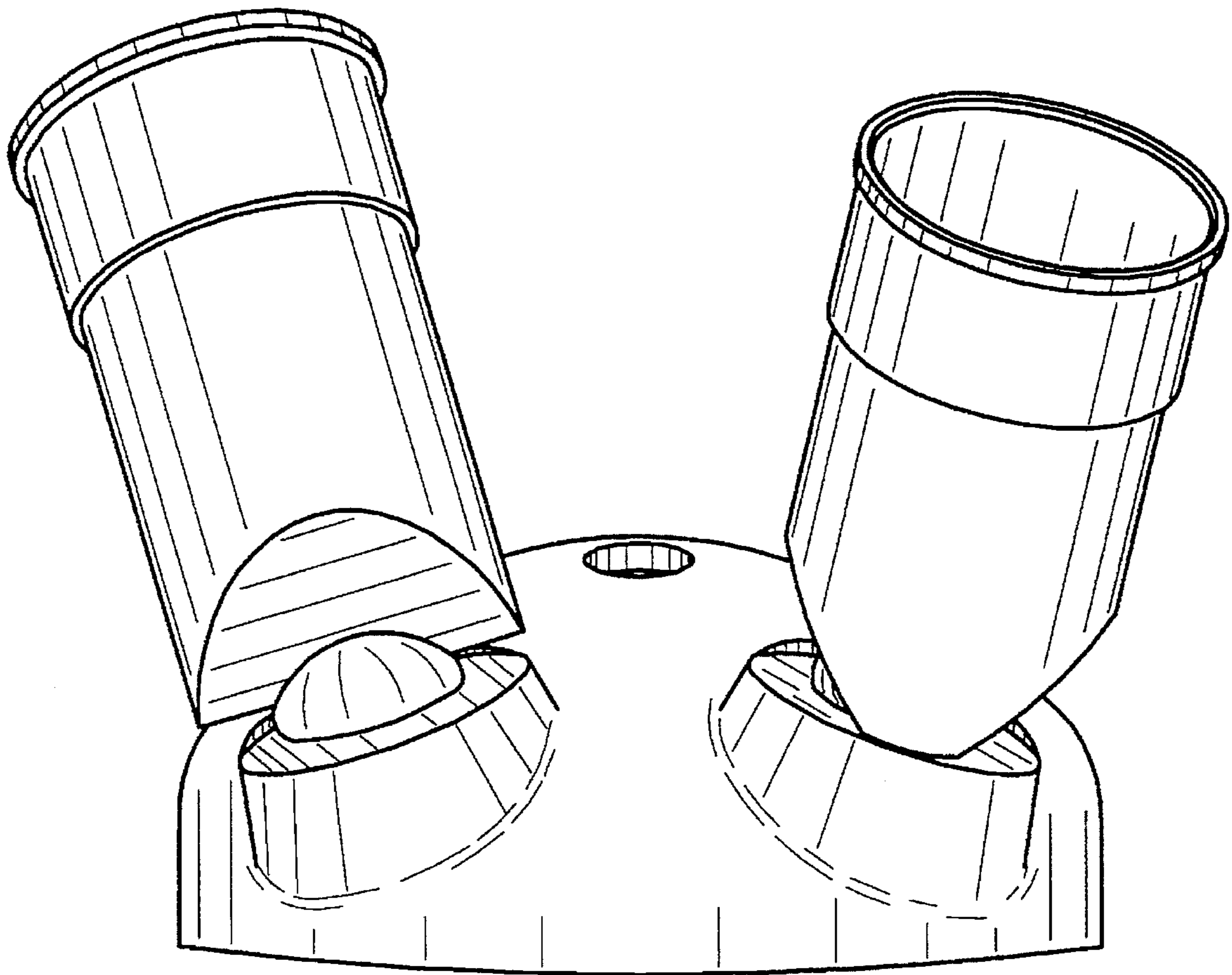




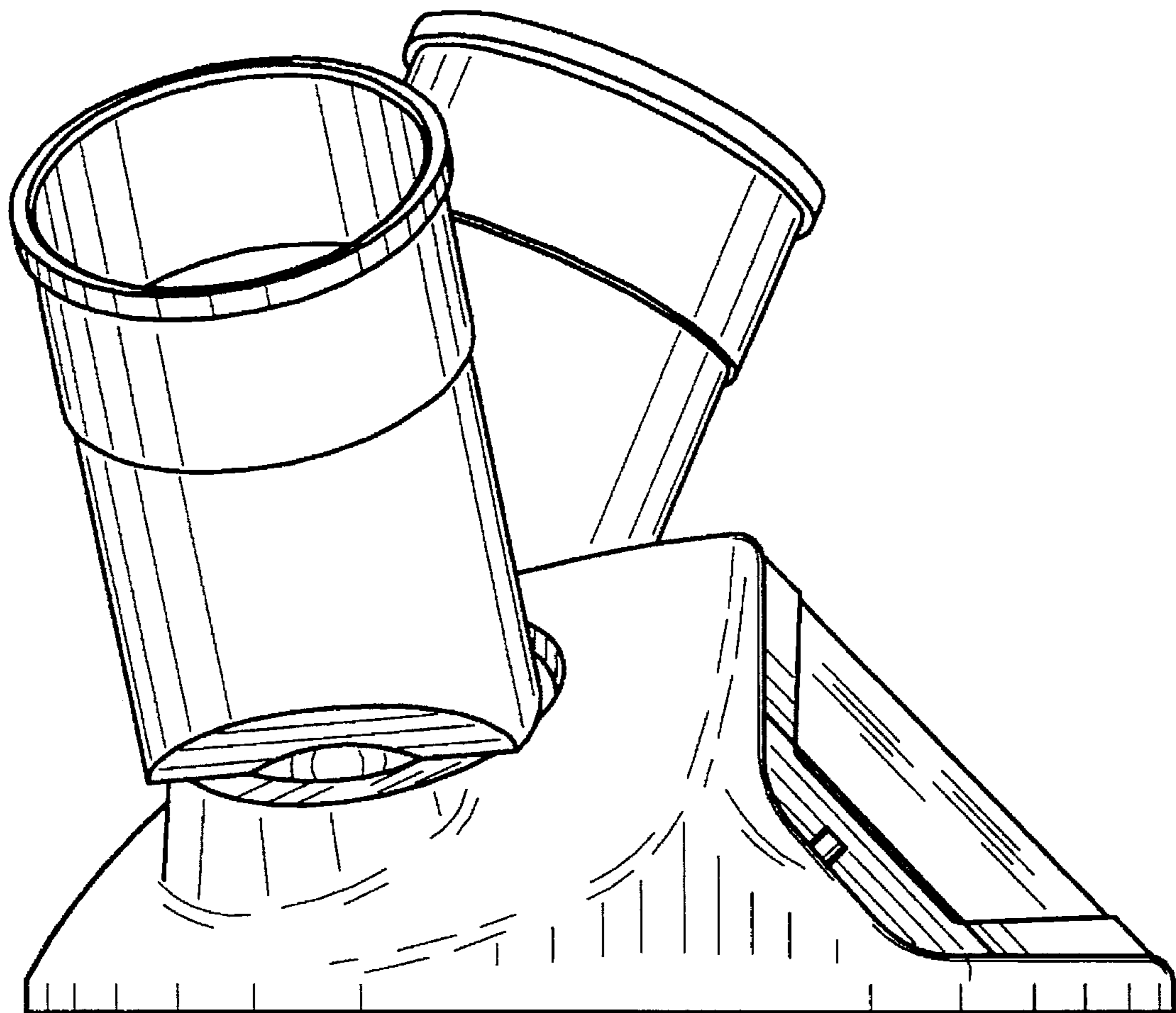
*Fig. 1*



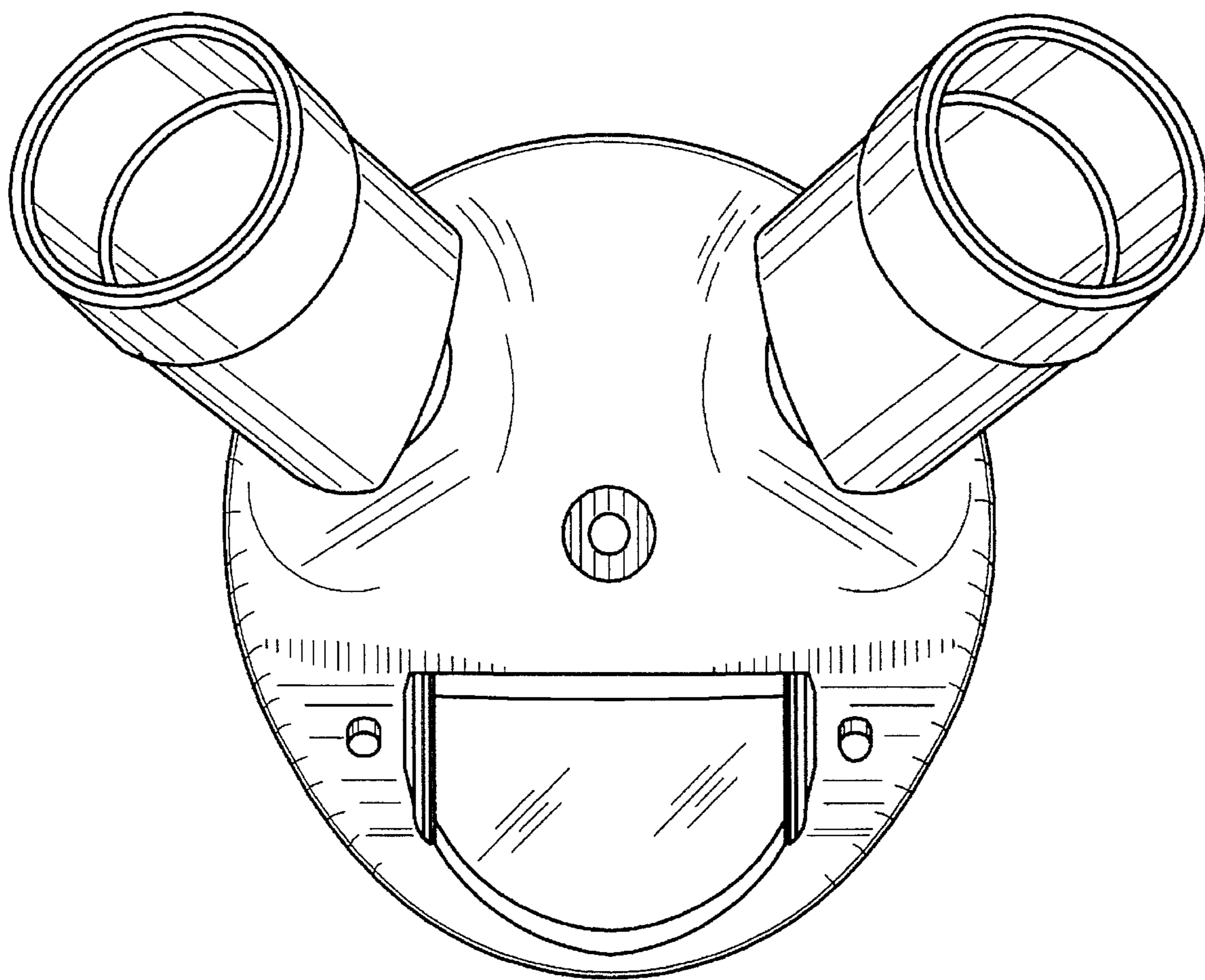
*Fig. 2*



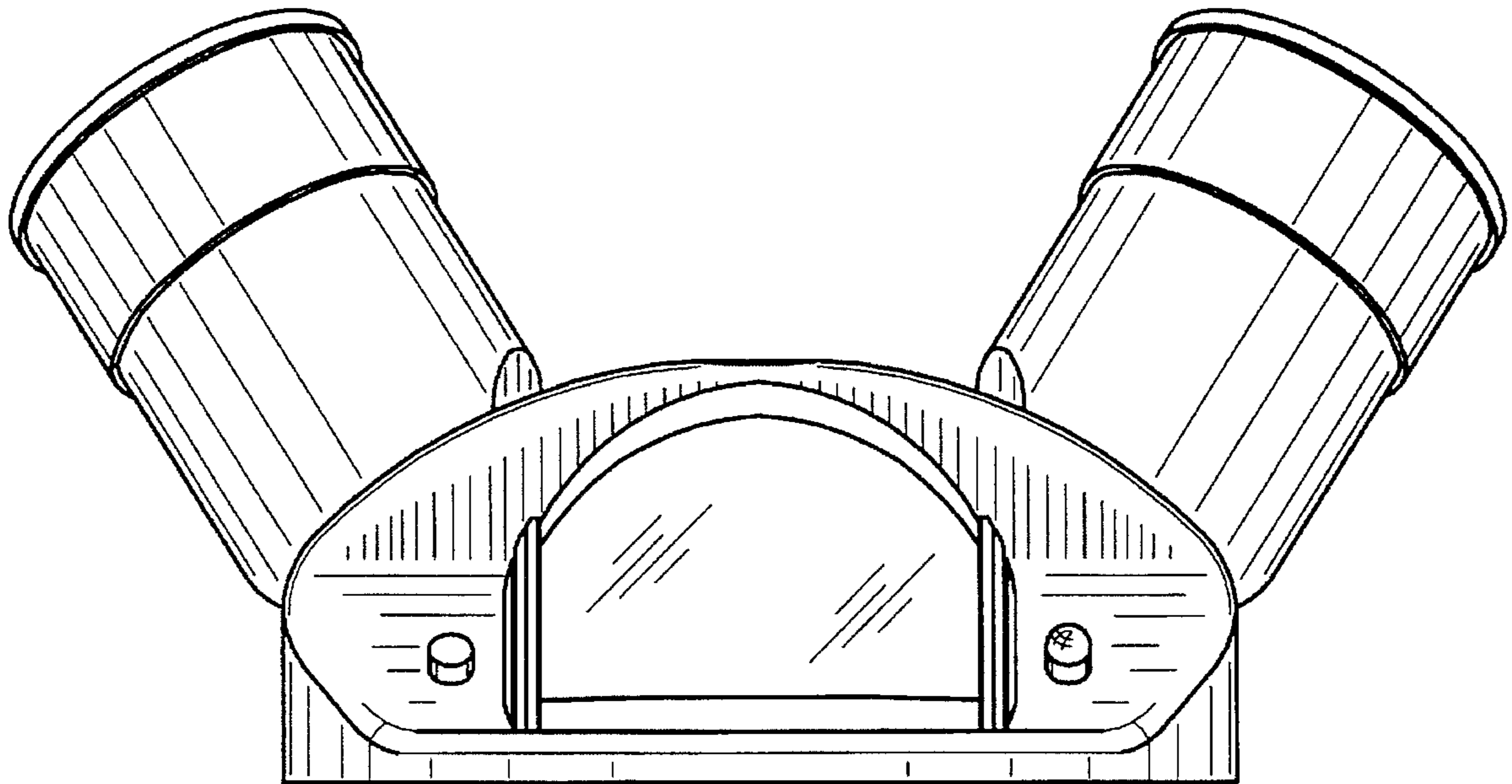
*Fig. 3*



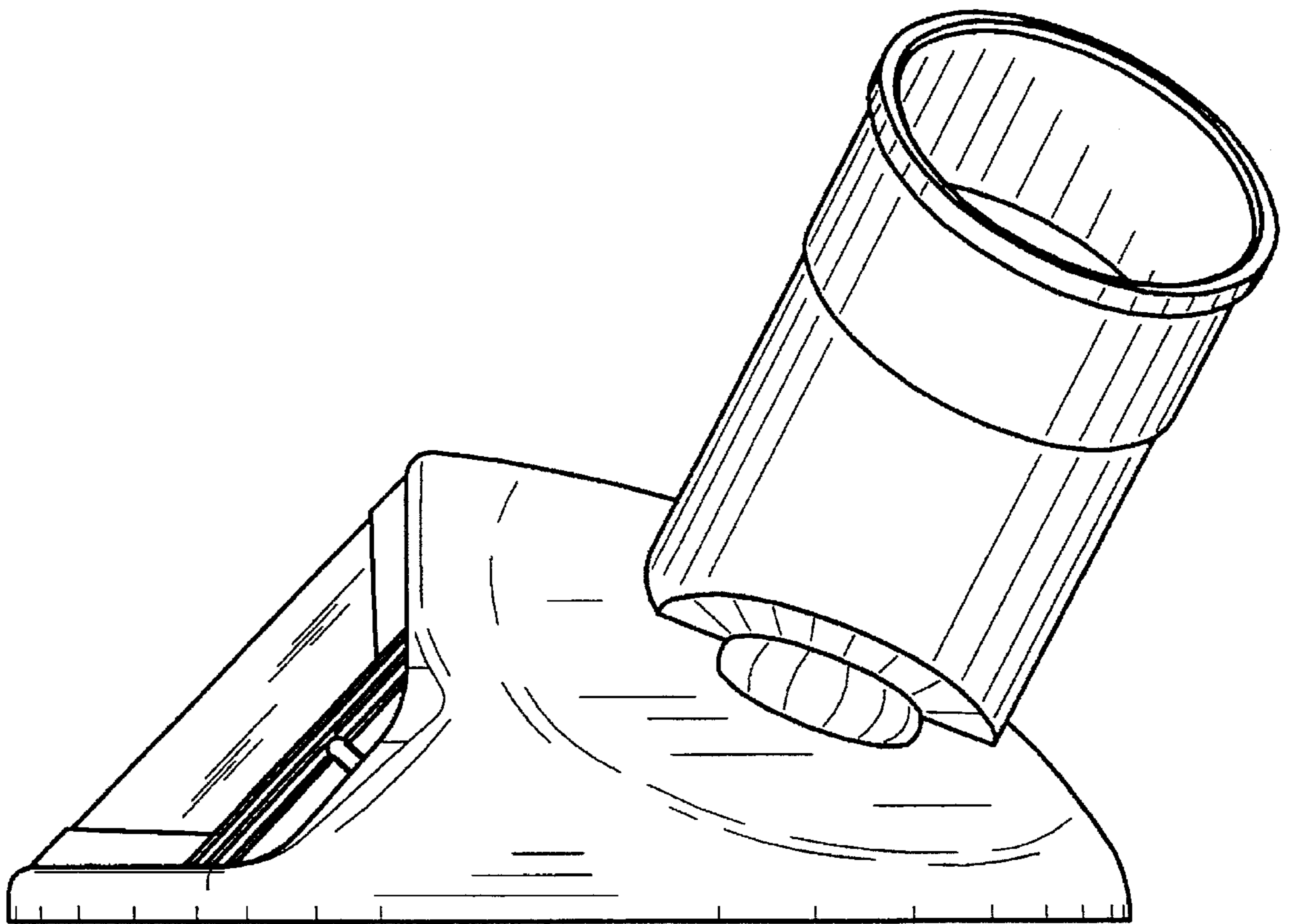
*Fig. 4*



*Fig. 5*

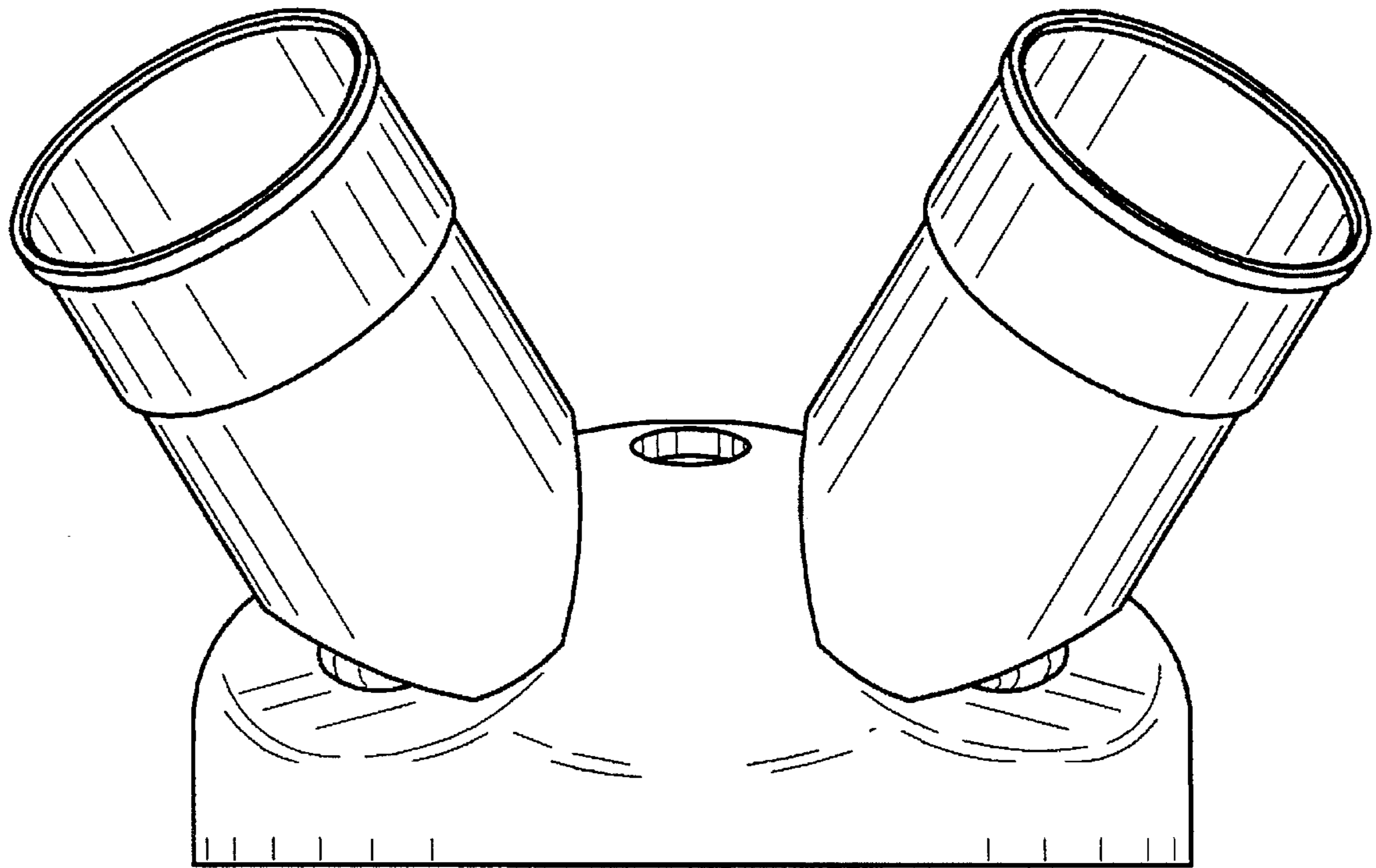


*Fig. 6*



*Fig. 7*





*Fig. 8*