



US00D379244S

United States Patent [19] Wiebe

[11] Patent Number: **Des. 379,244**

[45] Date of Patent: ****May 13, 1997**

[54] **HAND RAIL**

[76] Inventor: **Charles F. Wiebe**, 238 Meacham,
Kirkwood, Mo. 63122

[**] Term: **14 Years**

[21] Appl. No.: **52,472**

[22] Filed: **Apr. 2, 1996**

[51] LOC (6) Cl. **25-02**

[52] U.S. Cl. **D25/164; D25/119**

[58] Field of Search **D25/38, 164, 119;**
256/65, 59

[56] **References Cited**

U.S. PATENT DOCUMENTS

D. 291,831	9/1987	Noyce	D25/164
D. 344,141	2/1994	Wonderly	D25/38
4,421,302	12/1983	Grimm et al.	256/67
5,035,401	7/1991	Solter	256/59

OTHER PUBLICATIONS

Standard Design Book, p. 193, Aug. 8, 1924, Millwork Catalogue Item 1057.

Standard Design Book, p. 253, Aug. 8, 1924, Millwork Catalogue Item 1861.

Primary Examiner—Doris Clark

Attorney, Agent, or Firm—Polster, Lieder, Woodruff & Lucchesi, L.C.

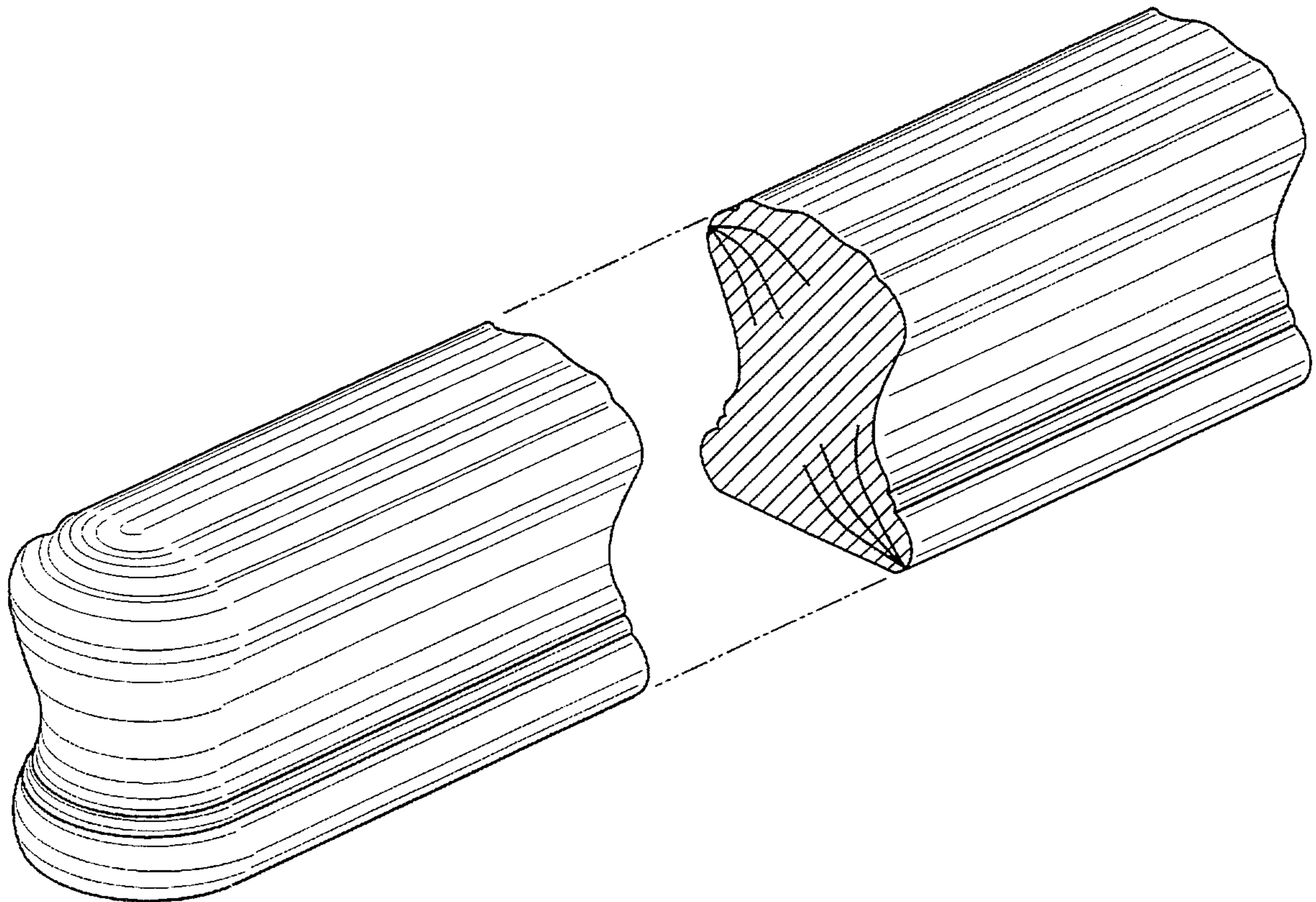
[57] **CLAIM**

The ornamental design for a hand rail, as shown and described.

DESCRIPTION

FIG. 1 is a perspective view of a hand rail shown broken in the center to disclose indeterminate length; and FIG. 2 is the terminating right end view thereof.

1 Claim, 1 Drawing Sheet



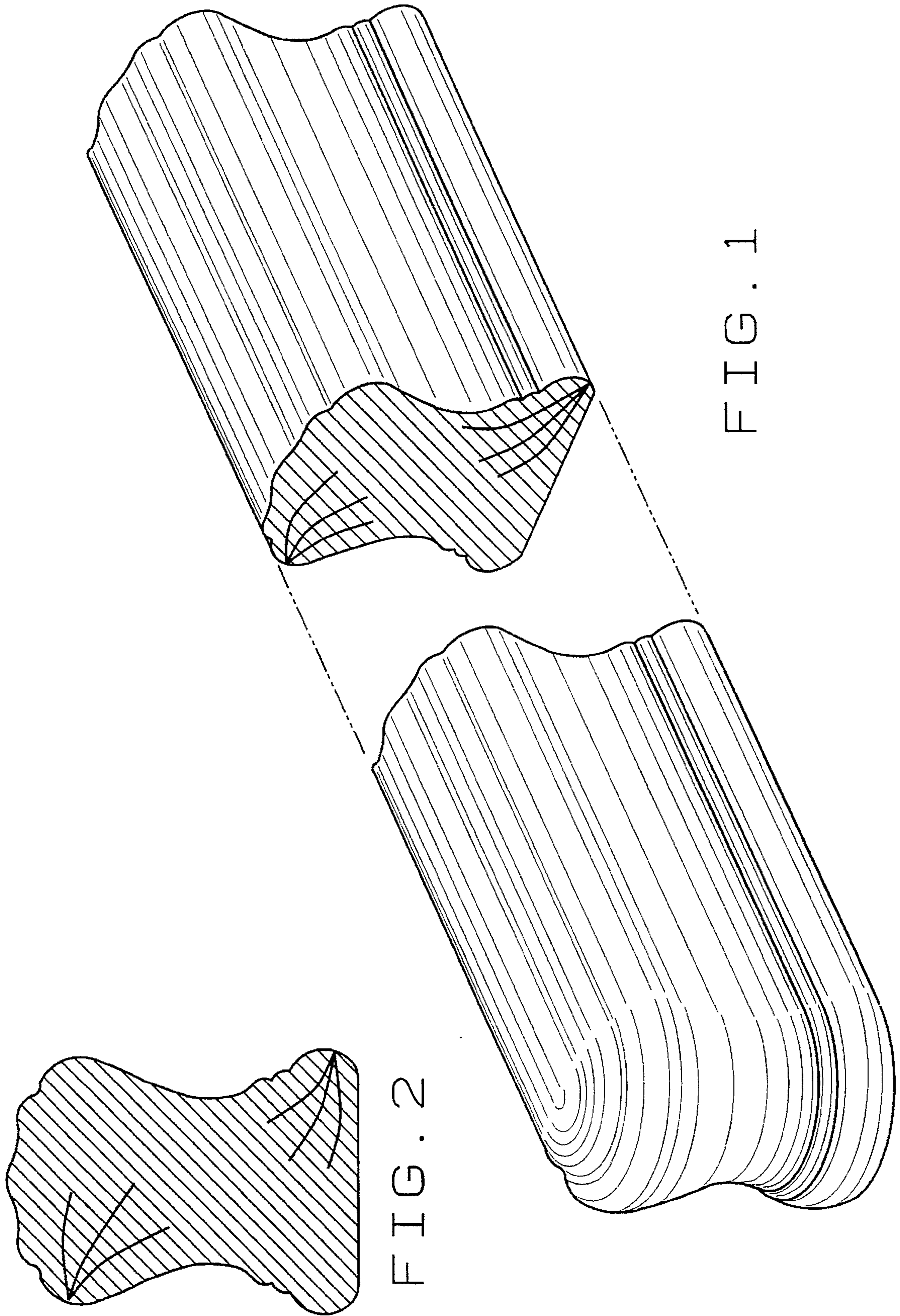


FIG. 1

FIG. 2