



US00D379242S

# United States Patent [19]

[11] Patent Number: **Des. 379,242**

Lin

[45] Date of Patent: **\*\*May 13, 1997**

[54] **WINDOW FRAME COMPONENT**

[75] Inventor: **Raymond Lin**, Fresh Meadows, N.Y.

[73] Assignee: **S.C. & W. Corp.**, Flushing, N.Y.

[\*\*] Term: **14 Years**

[21] Appl. No.: **48,359**

[22] Filed: **Dec. 27, 1995**

[51] LOC (6) Cl. .... **25-01**

[52] U.S. Cl. .... **D25/125**

[58] Field of Search ..... D25/52, 60, 119-125;  
49/501, 504, DIG. 2; 52/204.5, 204.1, 210,  
204.55, 204.56, 204.63, 204.6, 214, 204.61,  
656.6, 730.3, 730.4, 730.5

[56] **References Cited**

**U.S. PATENT DOCUMENTS**

D. 355,720 2/1995 Bancroft ..... D25/124

*Primary Examiner*—Doris Clark

*Attorney, Agent, or Firm*—Charles E. Baxley, Esq.

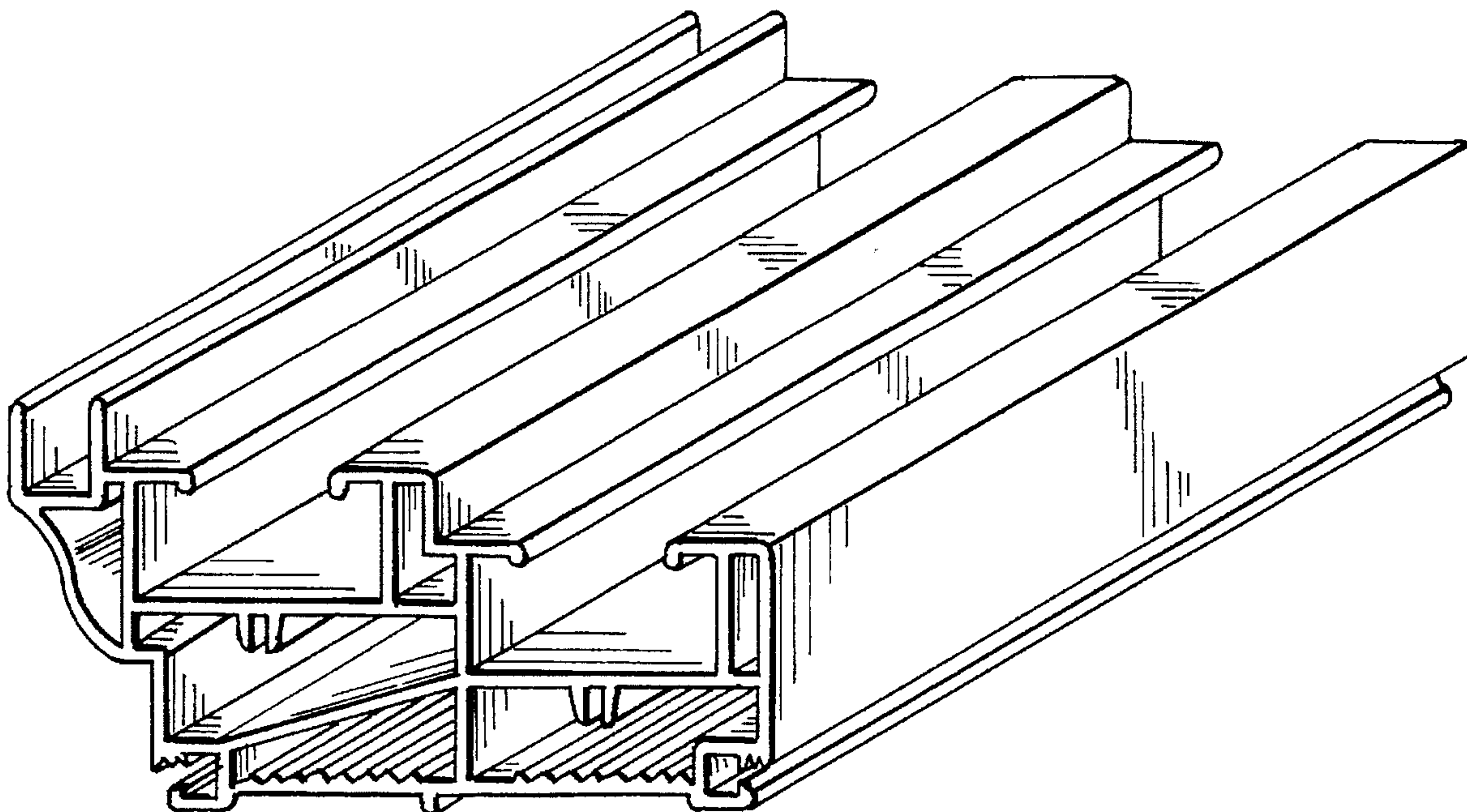
[57] **CLAIM**

The ornamental design of a window frame component, as shown and described.

**DESCRIPTION**

FIG. 1 is a front, top, and right side perspective view; and, FIG. 2 is a rear, bottom, and left side perspective view.

**1 Claim, 2 Drawing Sheets**



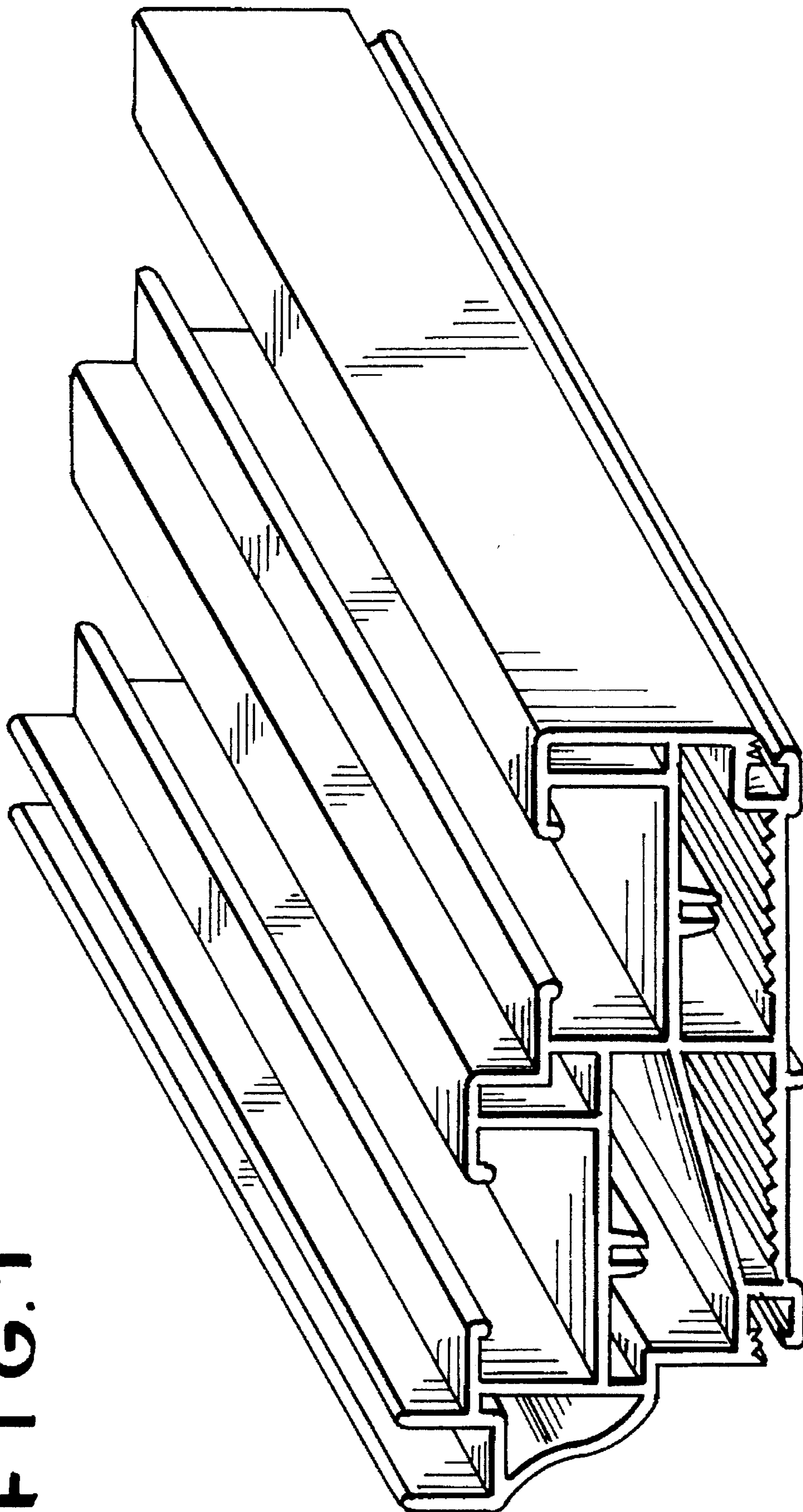


FIG. 1

FIG. 2

