



US00D379238S

United States Patent [19] Hing

[11] Patent Number: Des. 379,238

[45] Date of Patent: **May 13, 1997

[54] WING SHAPED BEAM

[76] Inventor: Ally O. Hing, P.O. Box A, Superior, Ariz. 85273

[**] Term: 14 Years

[21] Appl. No.: 32,747

[22] Filed: Dec. 27, 1994

[51] LOC (6) Cl. 25-01

[52] U.S. Cl. D25/124

[58] Field of Search D25/119, 121, D25/124, 126; 52/81.1-81.5, 730.1-730.6

[56] **References Cited**

U.S. PATENT DOCUMENTS

- D. 204,747 5/1966 Barrell, Jr. D25/124 X
- D. 260,557 9/1981 Bowman D25/121

Primary Examiner—Antoine Duval Davis
Attorney, Agent, or Firm—Warren F. B. Lindsley

[57] **CLAIM**

The ornamental design for a wing shaped beam, as shown and described.

DESCRIPTION

FIG. 1 is a front top and right end perspective view of a wing shaped beam embodying the invention;

FIG. 2 is a left end view of FIG. 1 with the right end being a mirror image thereof;

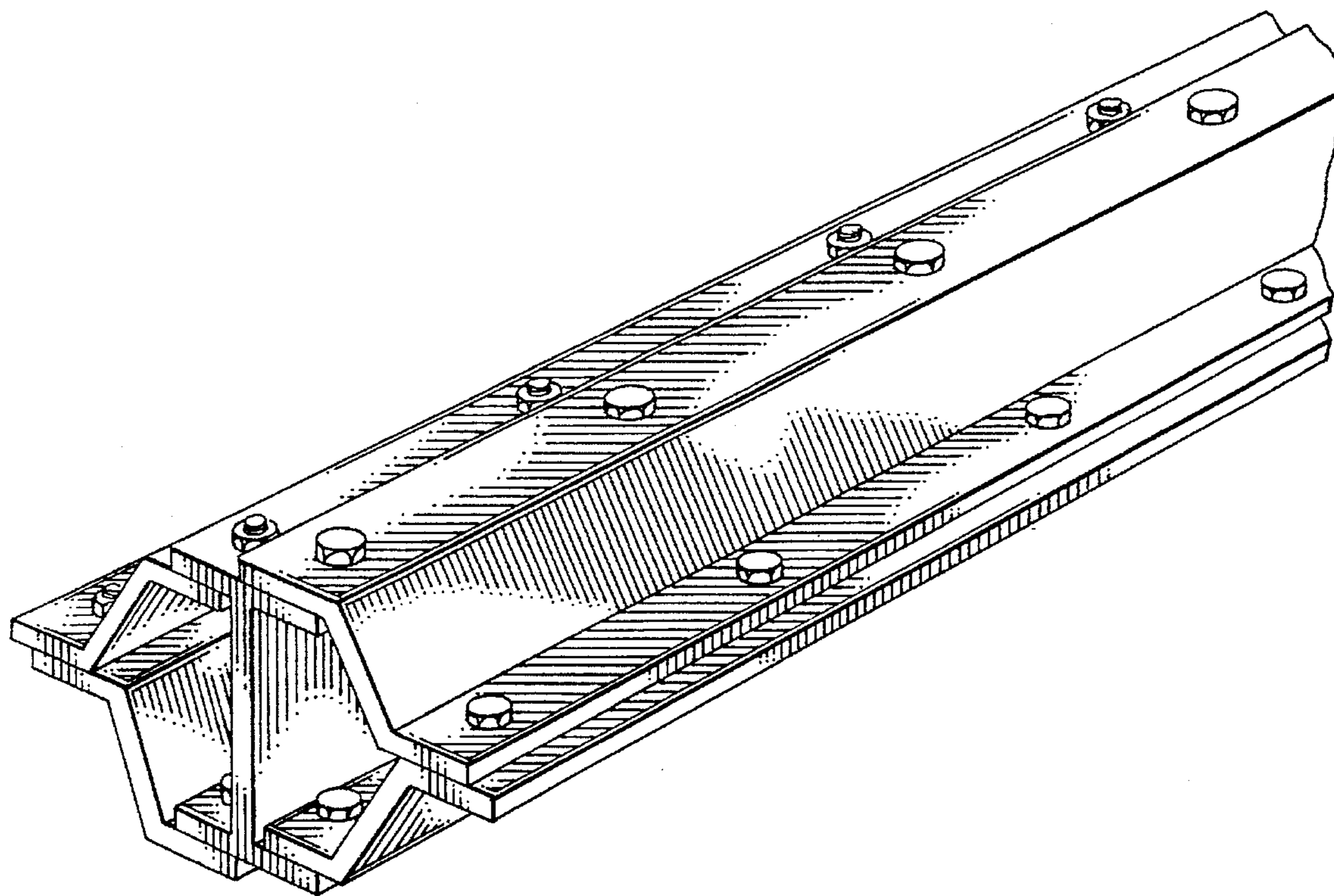
FIG. 3 is a front view of FIG. 1;

FIG. 4 is a back view of FIG. 1;

FIG. 5 is a top view of FIG. 1; and,

FIG. 6 is a bottom view of FIG. 1.

1 Claim, 1 Drawing Sheet



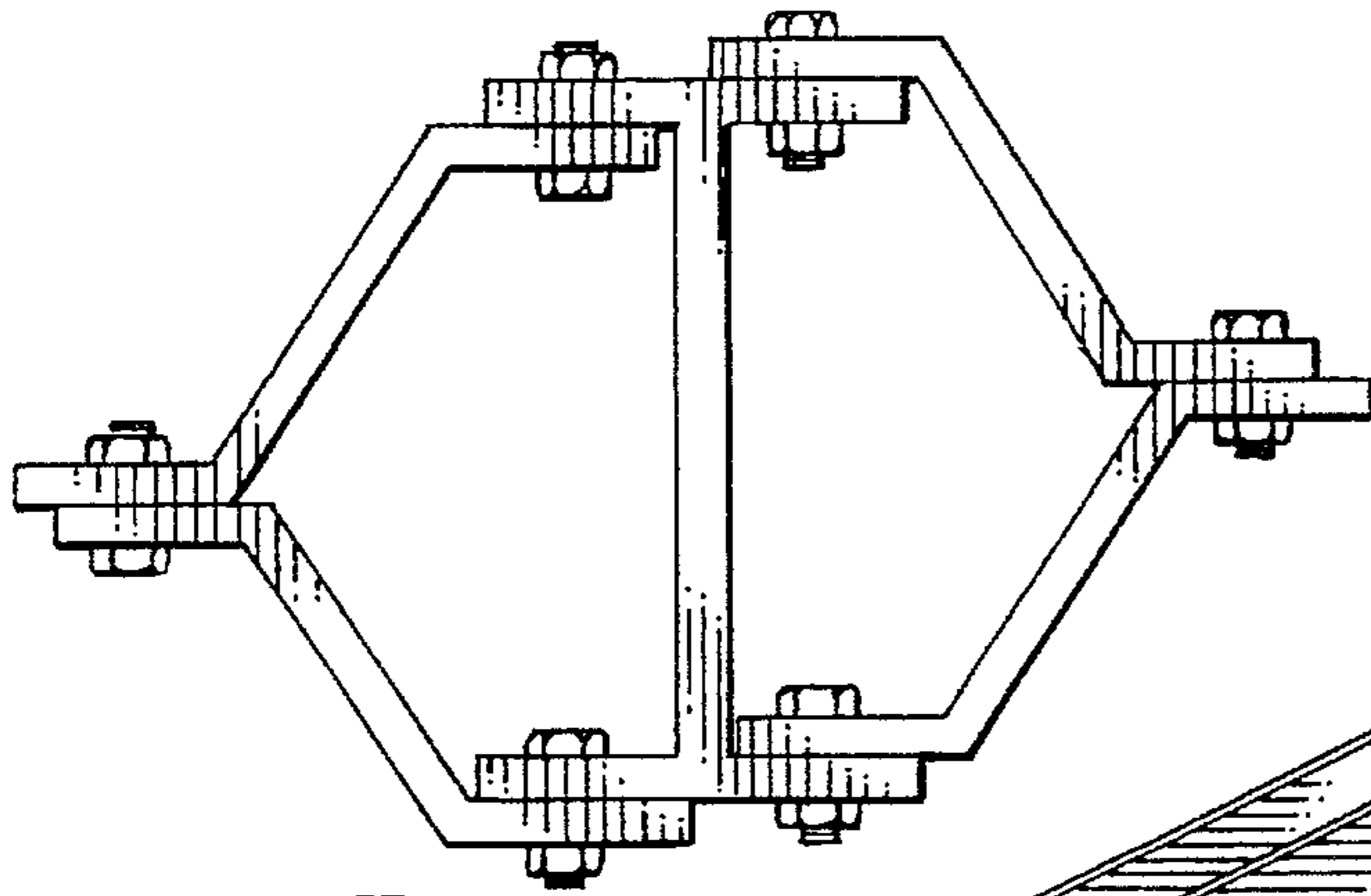


FIG. 2

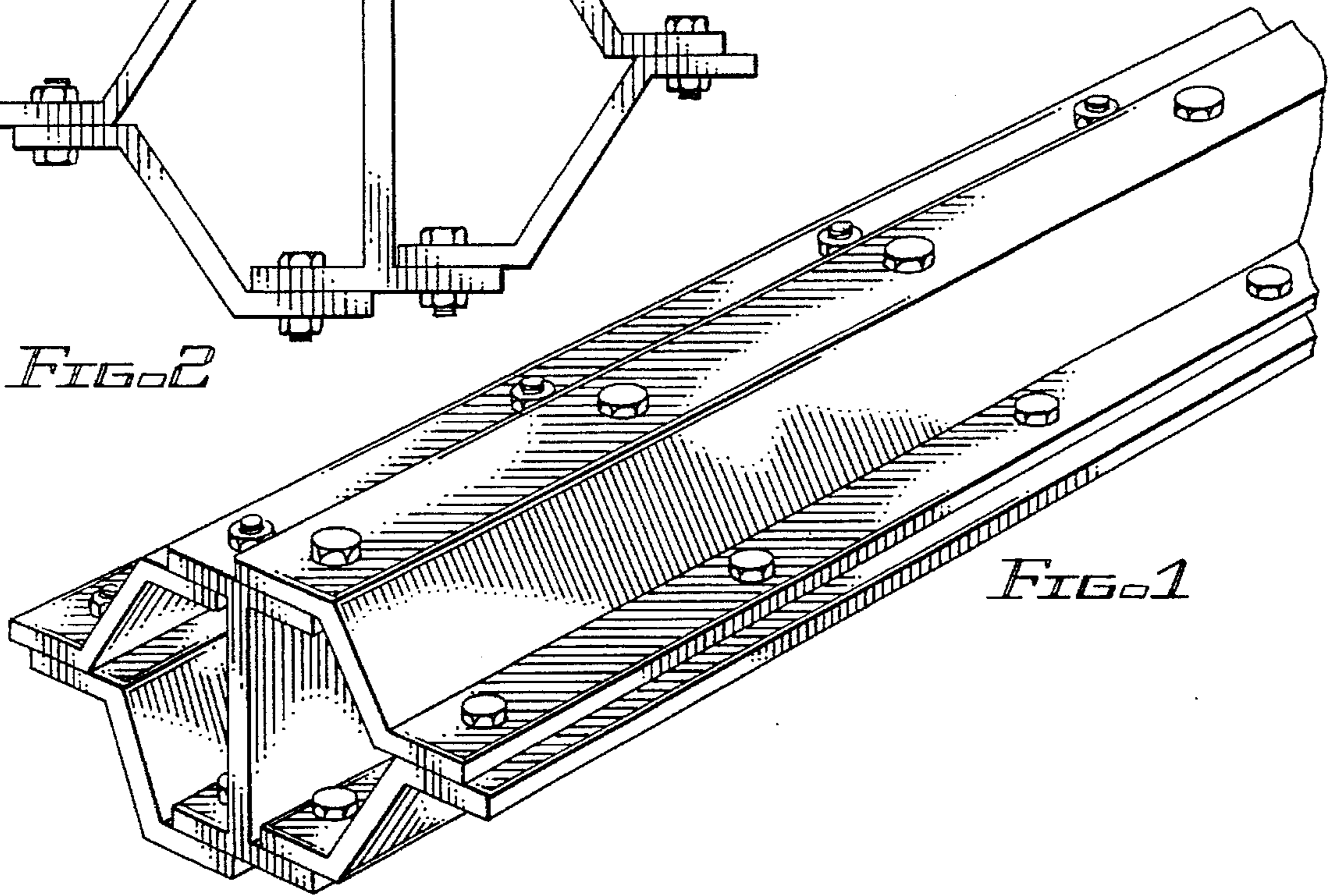


FIG. 1

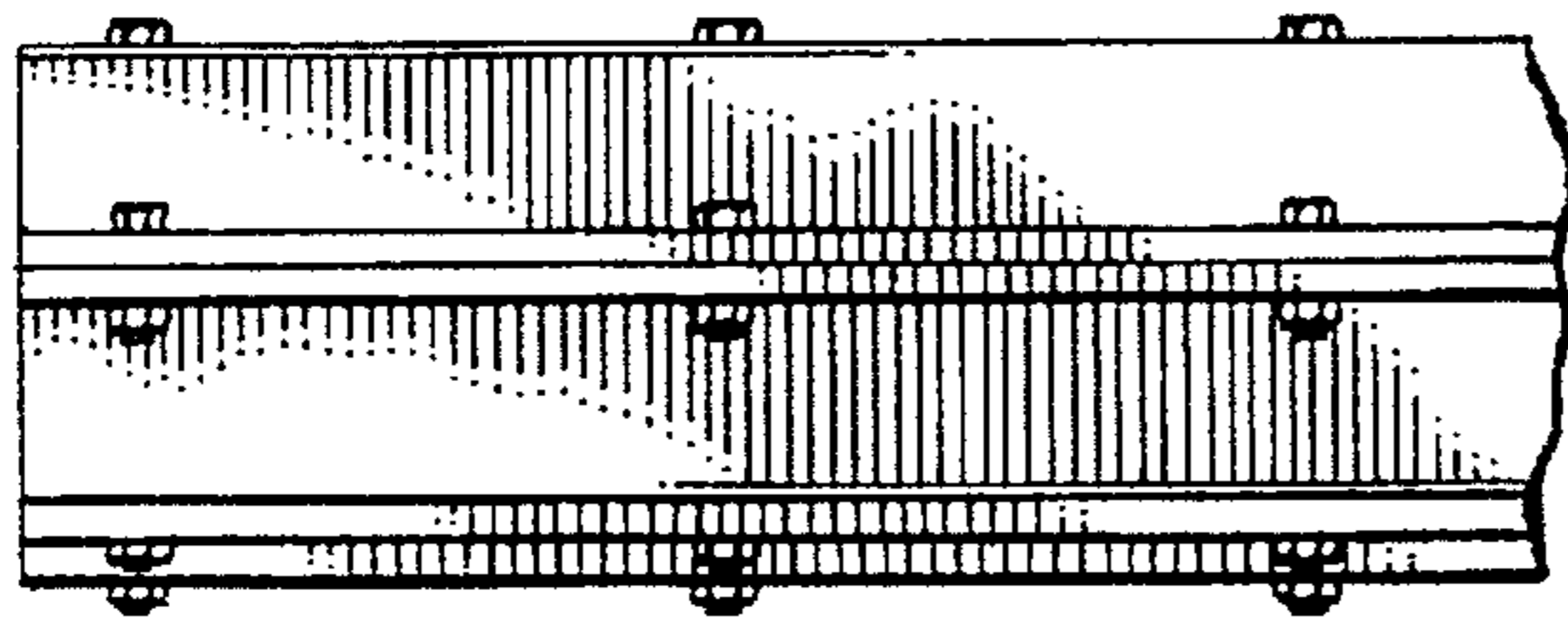


FIG. 3

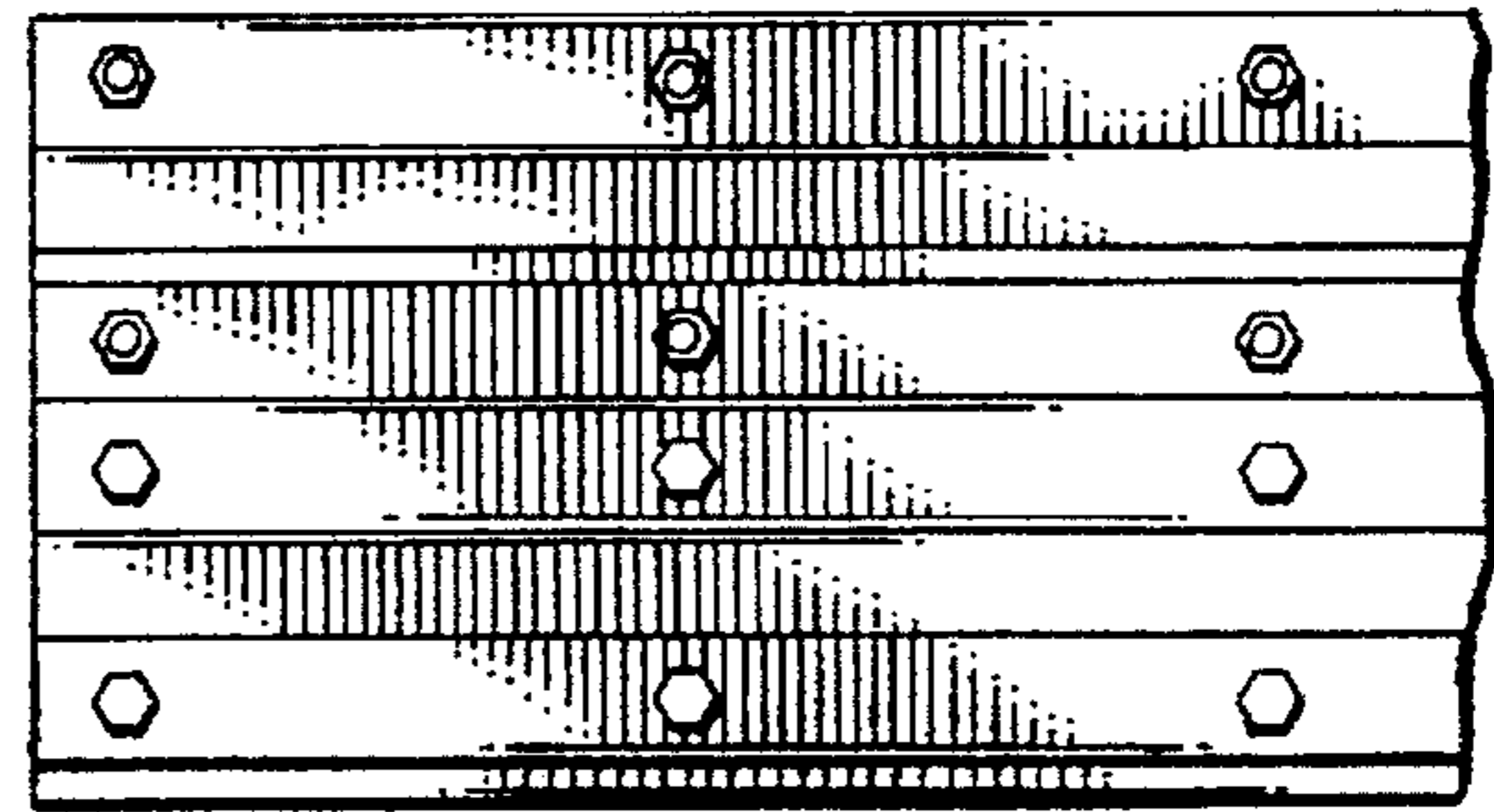


FIG. 5

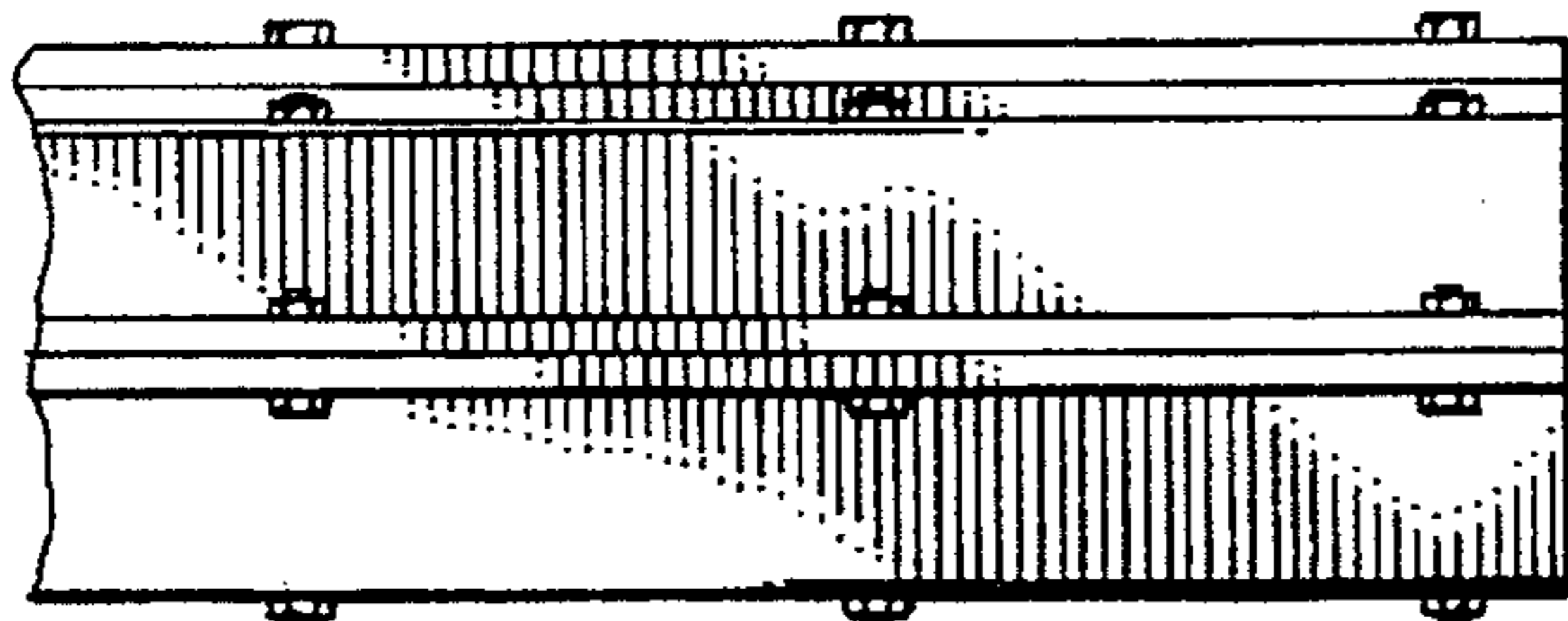


FIG. 4

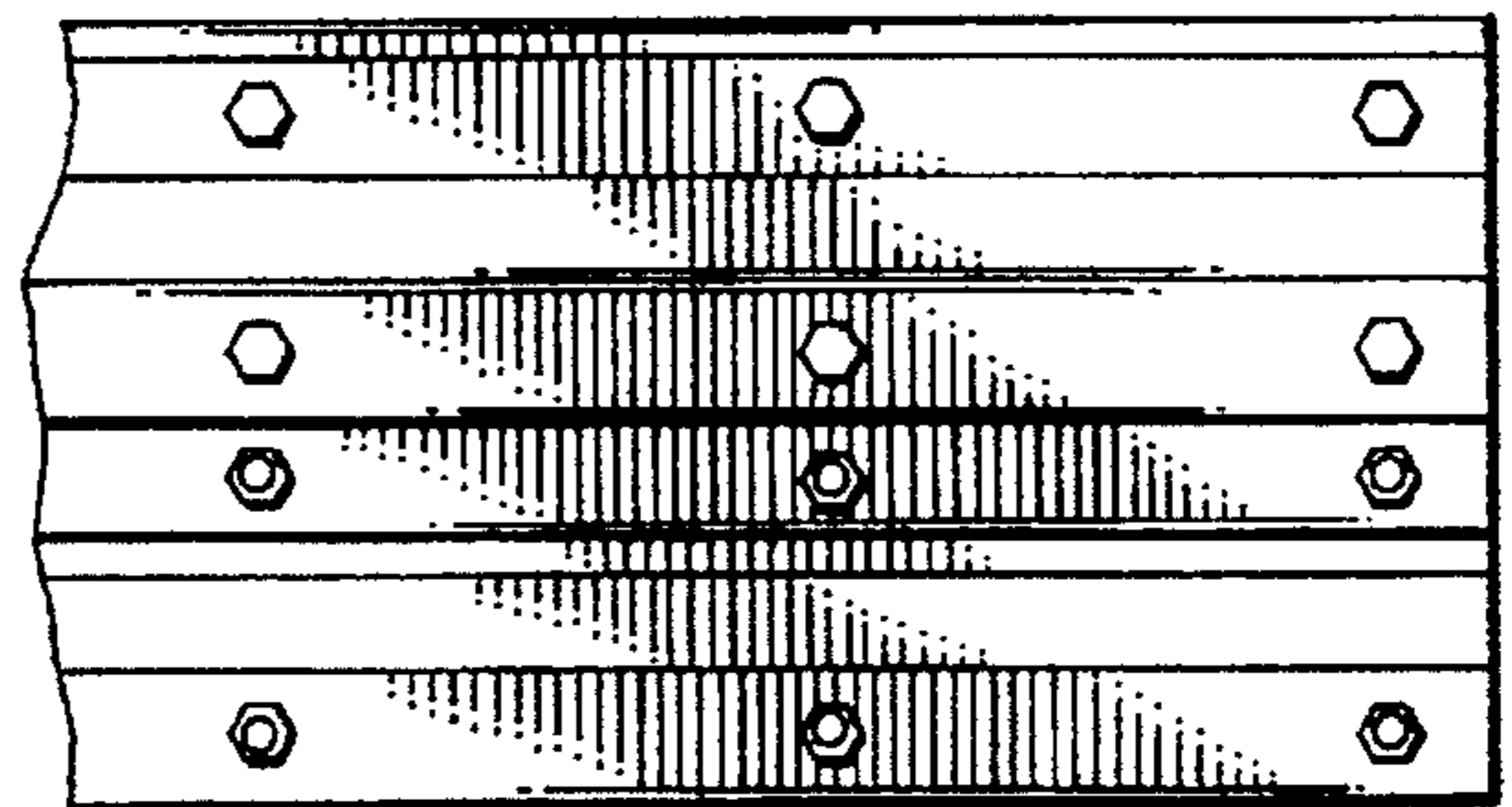


FIG. 6