



US00D379236S

United States Patent [19]
Sheftel

[11] **Patent Number: Des. 379,236**
[45] **Date of Patent: **May 13, 1997**

[54] **FOLDING SAWHORSE**
[75] **Inventor: Steven J. Sheftel, Marstons Mills, Mass.**
[73] **Assignee: American Manufacturing Company, Inc., Allentown, Pa.**
[**] **Term: 14 Years**
[21] **Appl. No.: 38,790**
[22] **Filed: May 10, 1995**
[51] **LOC (6) Cl. 25-01**
[52] **U.S. Cl. D25/67**
[58] **Field of Search D25/67; 182/181, 182/182, 155, 225**

5,096,019 3/1992 Kelsary 182/155
5,119,903 6/1992 Ulshafer, Jr. 182/181

Primary Examiner—Doris Clark
Attorney, Agent, or Firm—Samuels, Gauthier, Stevens & Reppert

[57] **CLAIM**

The ornamental design for folding sawhorse, as shown and described.

DESCRIPTION

FIG. 1 is a perspective view of a folding sawhorse of my design;
FIG. 2 is a right side view of the folding sawhorse of FIG. 1, the left side view being the same;
FIG. 3 is an end view of the folding sawhorse;
FIG. 4 is a plan view of the folding sawhorse;
FIG. 5 is a bottom view the folding sawhorse; and,
FIG. 6 is a perspective view of my folding sawhorse design in its folded position.

[56] **References Cited**

U.S. PATENT DOCUMENTS

D. 276,074 10/1984 Wagster D25/67
4,113,056 9/1978 Delorenzo 182/181

1 Claim, 3 Drawing Sheets



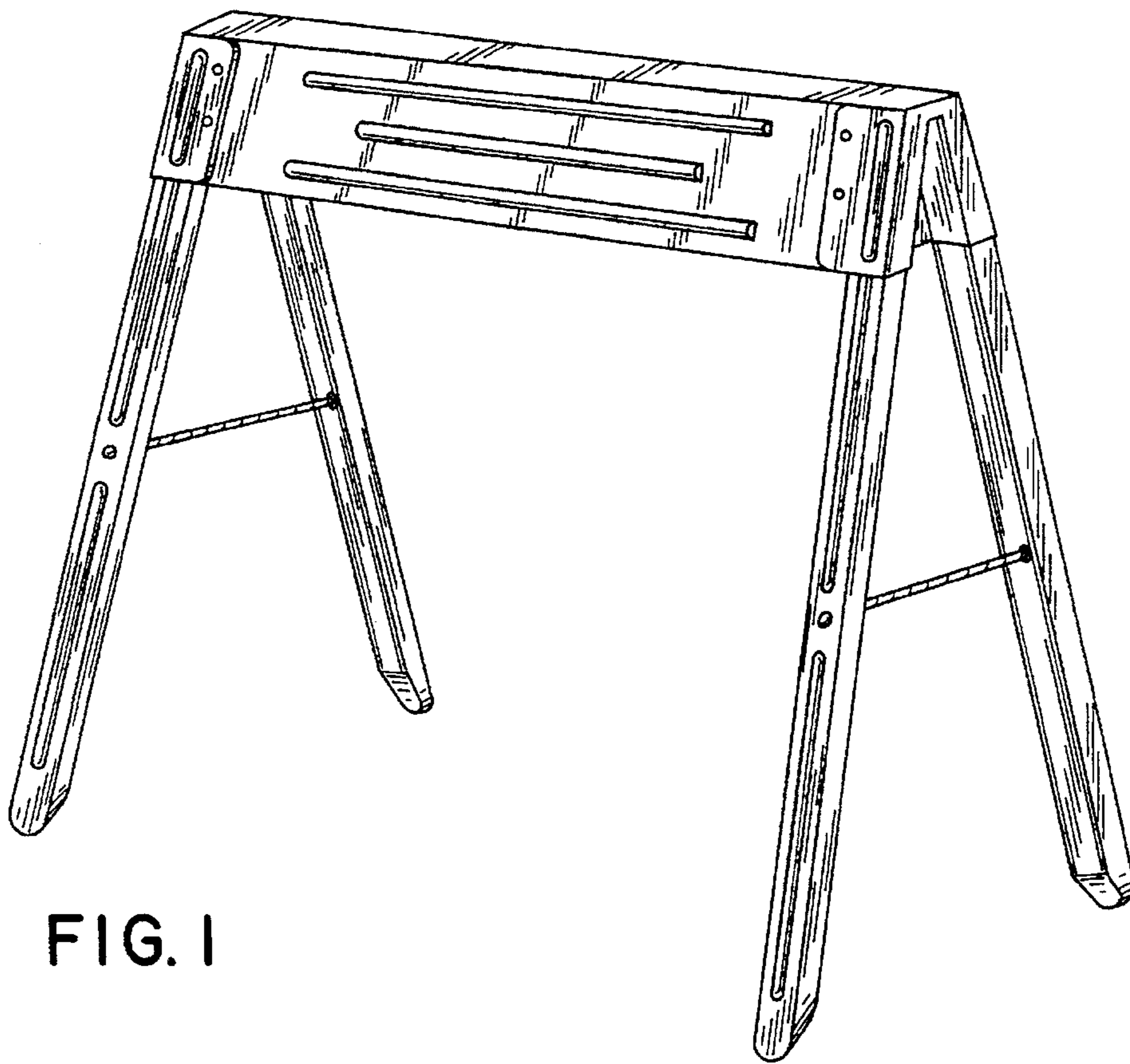


FIG. 1

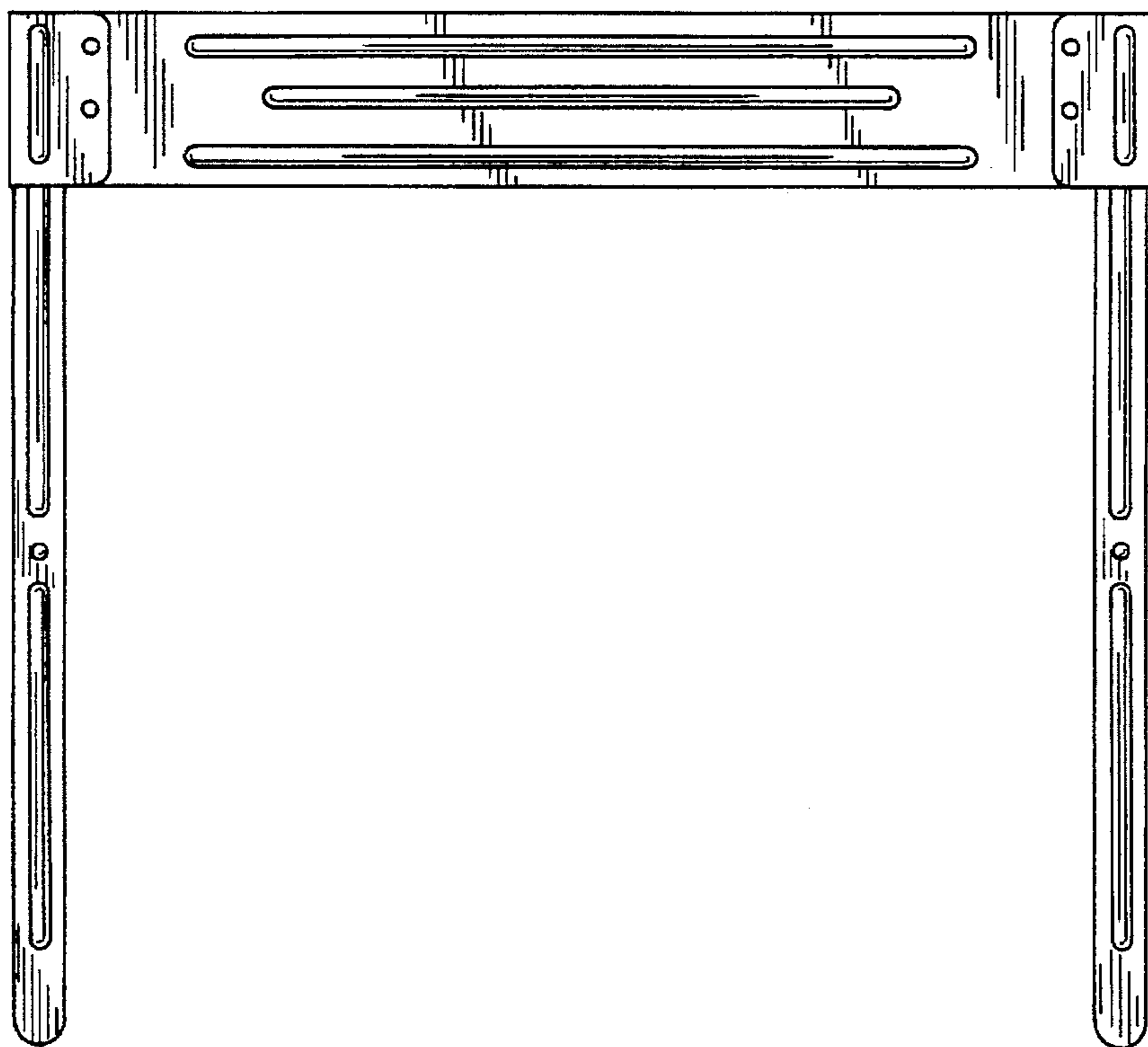


FIG. 2

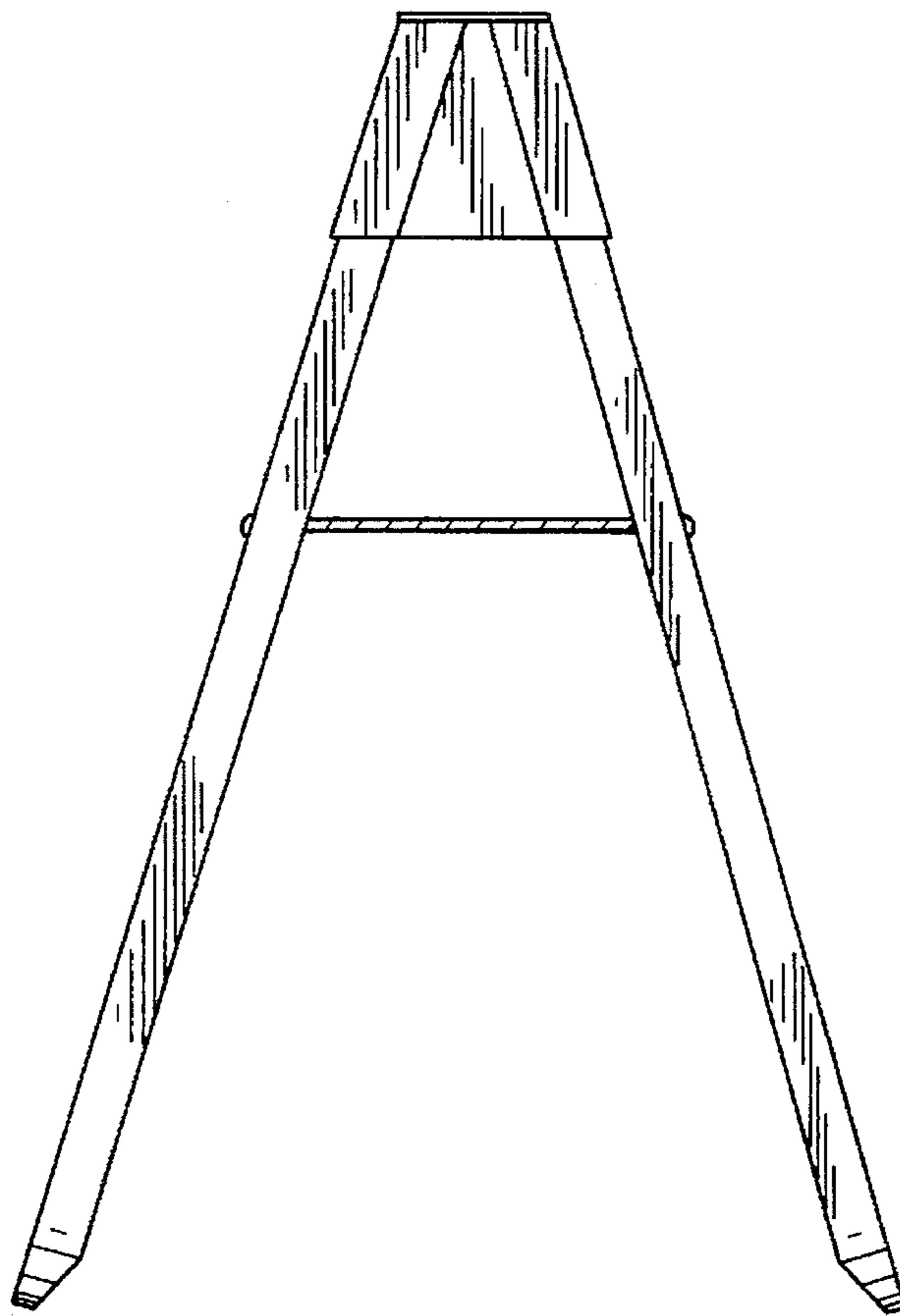


FIG. 3

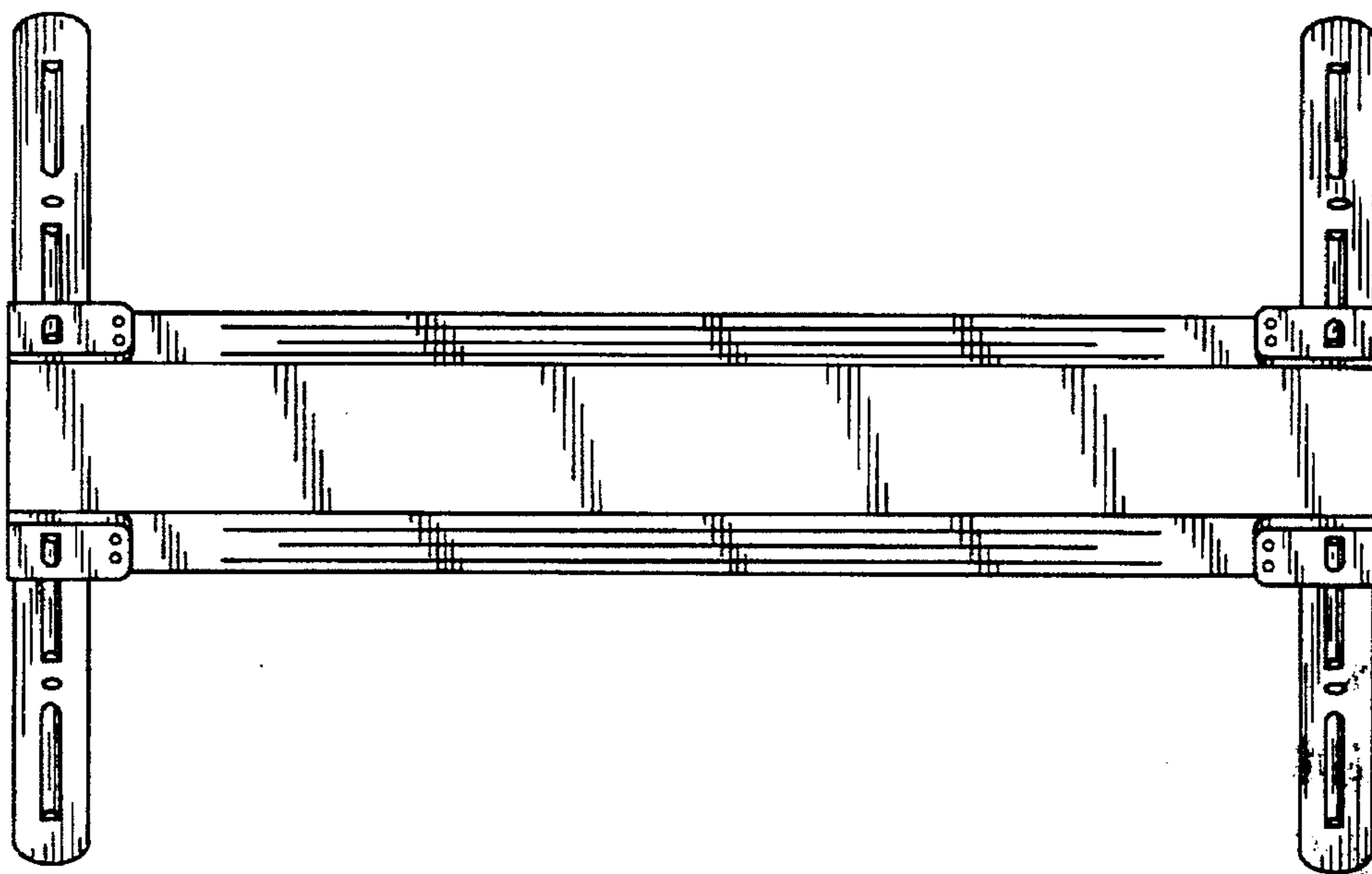


FIG. 4

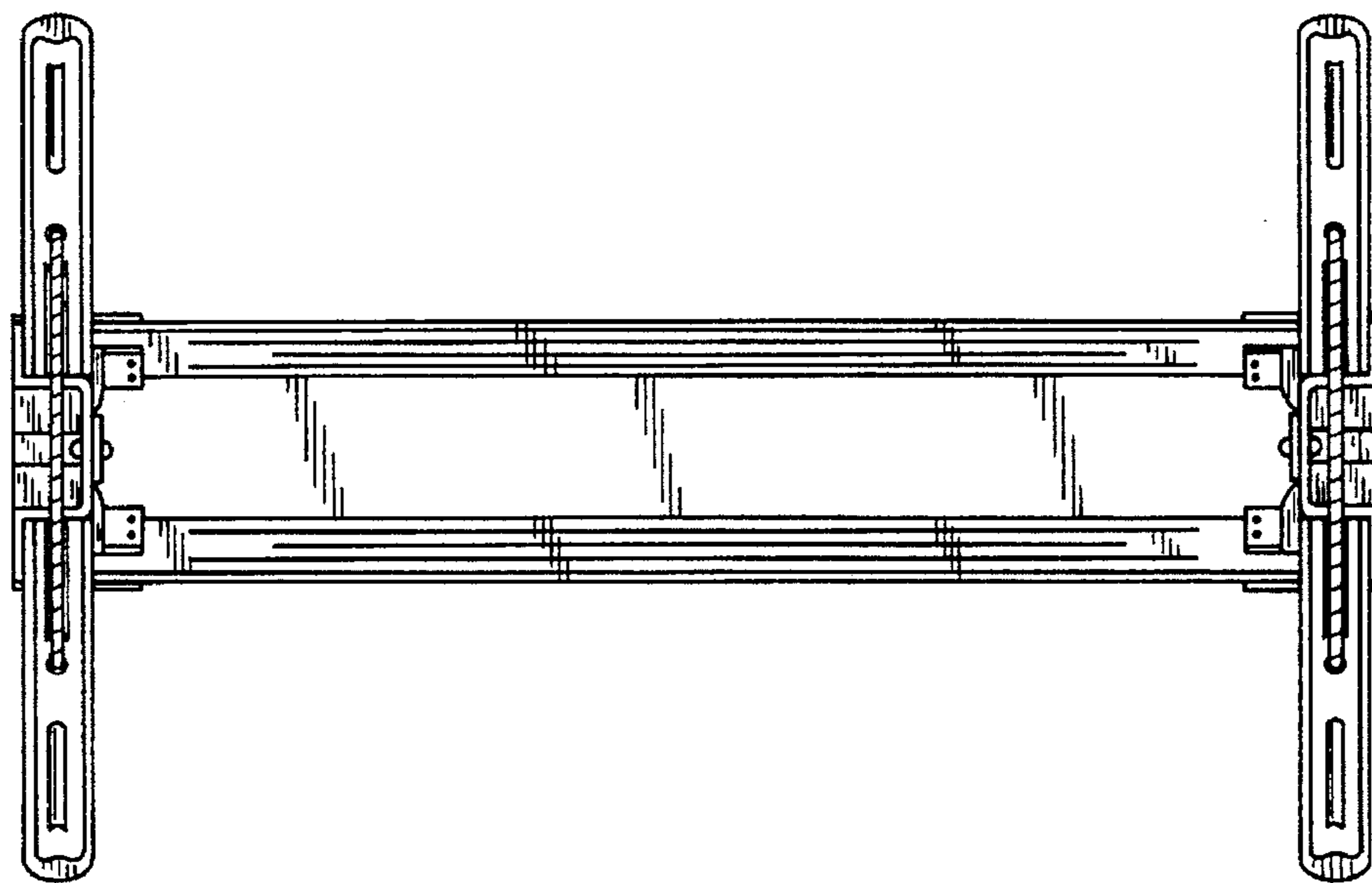


FIG. 5

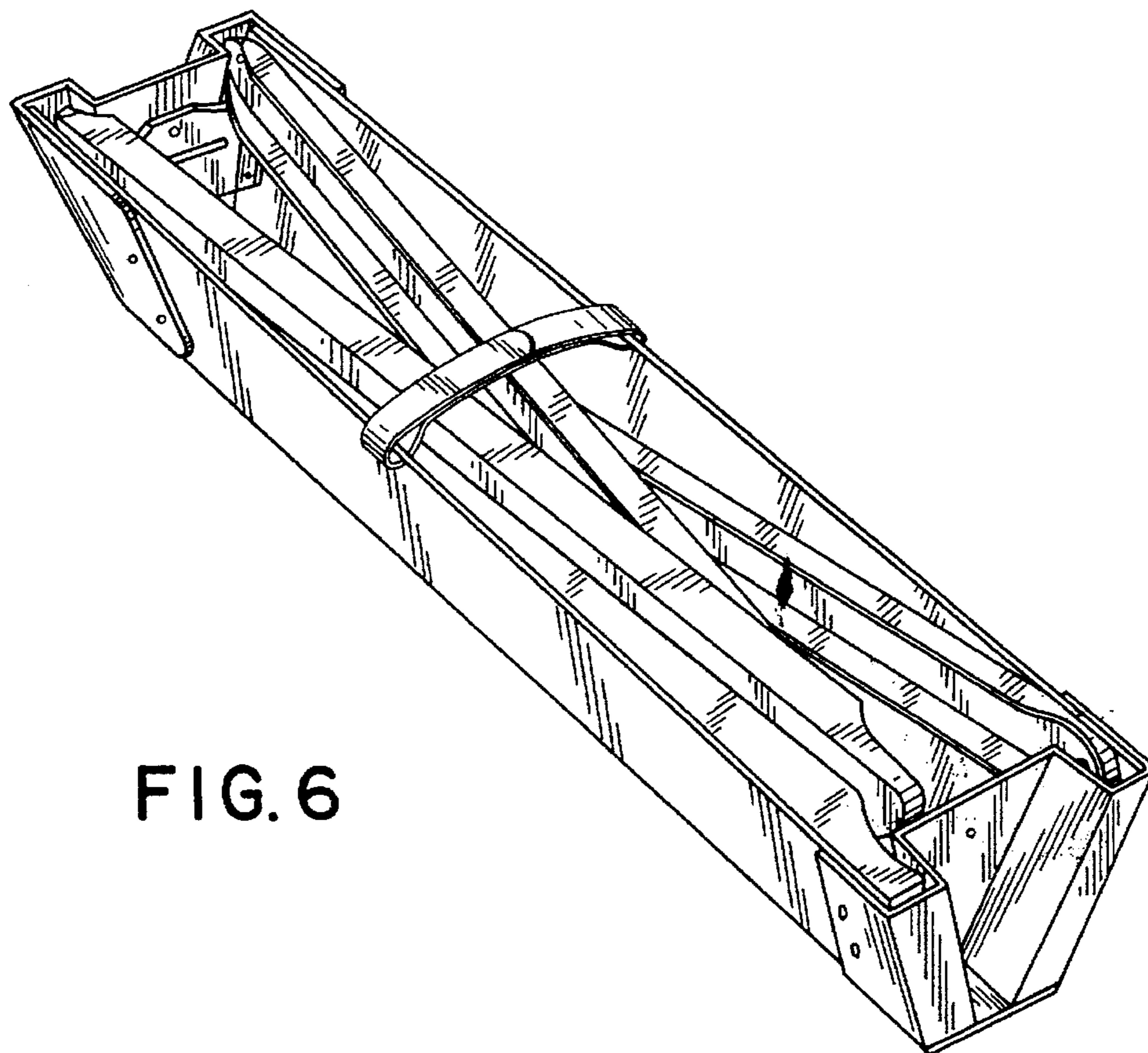


FIG. 6