



US00D379233S

# United States Patent [19] Wright

[11] Patent Number: Des. 379,233

[45] Date of Patent: \*\*\*May 13, 1997

[54] **GLASS BLOCK FRAME**

[75] Inventor: **Brian C. Wright**, Snohomish, Wash.

[73] Assignee: **Seattle Glass Block Windows, Inc.**,  
Seattle, Wash.

[\*] Notice: The portion of the term of this patent subsequent to Apr. 2, 2010, has been disclaimed.

[\*\*] Term: **14 Years**

[21] Appl. No.: **36,369**

[22] Filed: **Mar. 20, 1995**

### Related U.S. Application Data

[63] Continuation-in-part of Ser. No. 28,301, Sep. 12, 1994.

[51] LOC (6) Cl. .... **25-02**

[52] U.S. Cl. .... **D25/60**

[58] Field of Search ..... D25/60, 199, 52,  
D25/48; 52/306, 307, 308, DIG. 17, 474

### [56] References Cited

#### U.S. PATENT DOCUMENTS

D. 118,248	12/1939	Roseman	.....	D25/60
D. 211,457	6/1968	Anderson	.....	D25/60
D. 217,660	5/1970	Blum	.....	D25/60
D. 248,242	6/1978	Huelsekopf	.....	D25/52
D. 251,741	5/1979	Smallwood et al.	.....	D25/48
D. 267,436	12/1982	Thorne	.....	D25/48
D. 368,533	4/1996	Wright	.....	D25/60
2,742,777	4/1956	Corneil et al.	.....	52/308
2,972,783	2/1961	Russell et al.	.....	52/308
4,791,762	12/1988	Hwang	.....	D25/48

### FOREIGN PATENT DOCUMENTS

2063783	9/1992	Canada	.....	52/306
1415772	9/1965	France	.....	52/308
1125633	of 1962	Germany	.....	52/308
623209	7/1961	Italy	.....	52/308
682619	11/1952	United Kingdom	.....	52/306

*Primary Examiner*—Louis S. Zarfes  
*Assistant Examiner*—Gynn Andoll  
*Attorney, Agent, or Firm*—Christensen O'Connor Johnson & Kindness PLLC

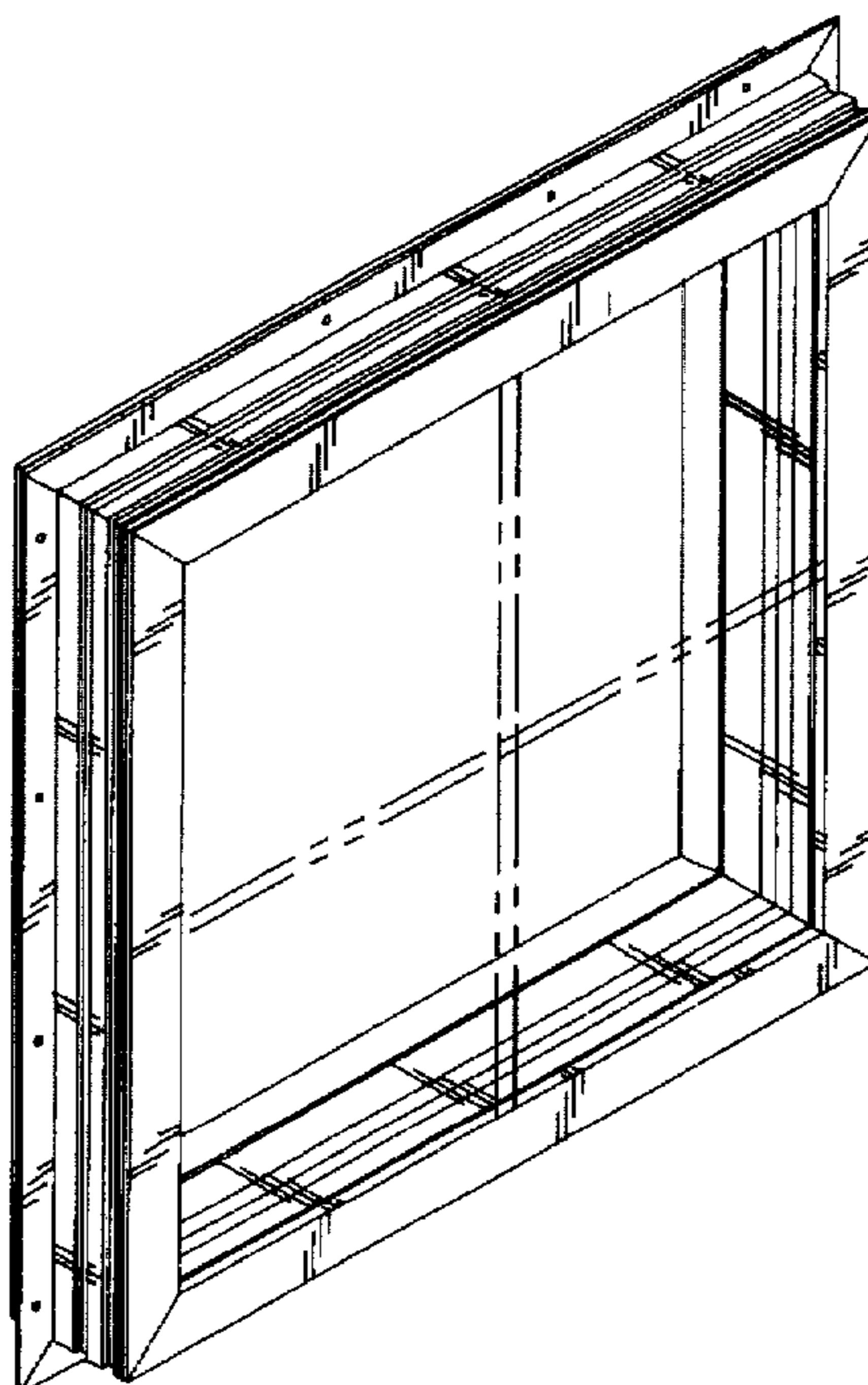
### [57] CLAIM

An ornamental design for a glass block frame, as shown and described.

### DESCRIPTION

FIG. 1 is a front perspective view of the glass block frame showing my design in a rectangular configuration;  
FIG. 2 is a back perspective view of the glass block frame showing my design in a square configuration;  
FIG. 3 is a fragmentary perspective view of the front frame member shown in FIG. 1, the remaining frame members being identical thereto, and the frame memnbers of FIGS. 2 are substantially the same as the frame members in FIG. 1;  
FIG. 4 is a fragmentary front elevational view thereof;  
FIG. 5 is a fragmentary rear elevational view thereof;  
FIG. 6 is a fragmentary right side elevational view thereof;  
FIG. 7 is a fragmentary left side elevational view thereof;  
FIG. 8 is a top plan view thereof; and  
FIG. 9 is a bottom plan view thereof.  
The broken line showing of the glass blocks at FIGS. 1 and & 2 is for illustrative purposes only and forms no part of the claimed design.

**1 Claim, 3 Drawing Sheets**



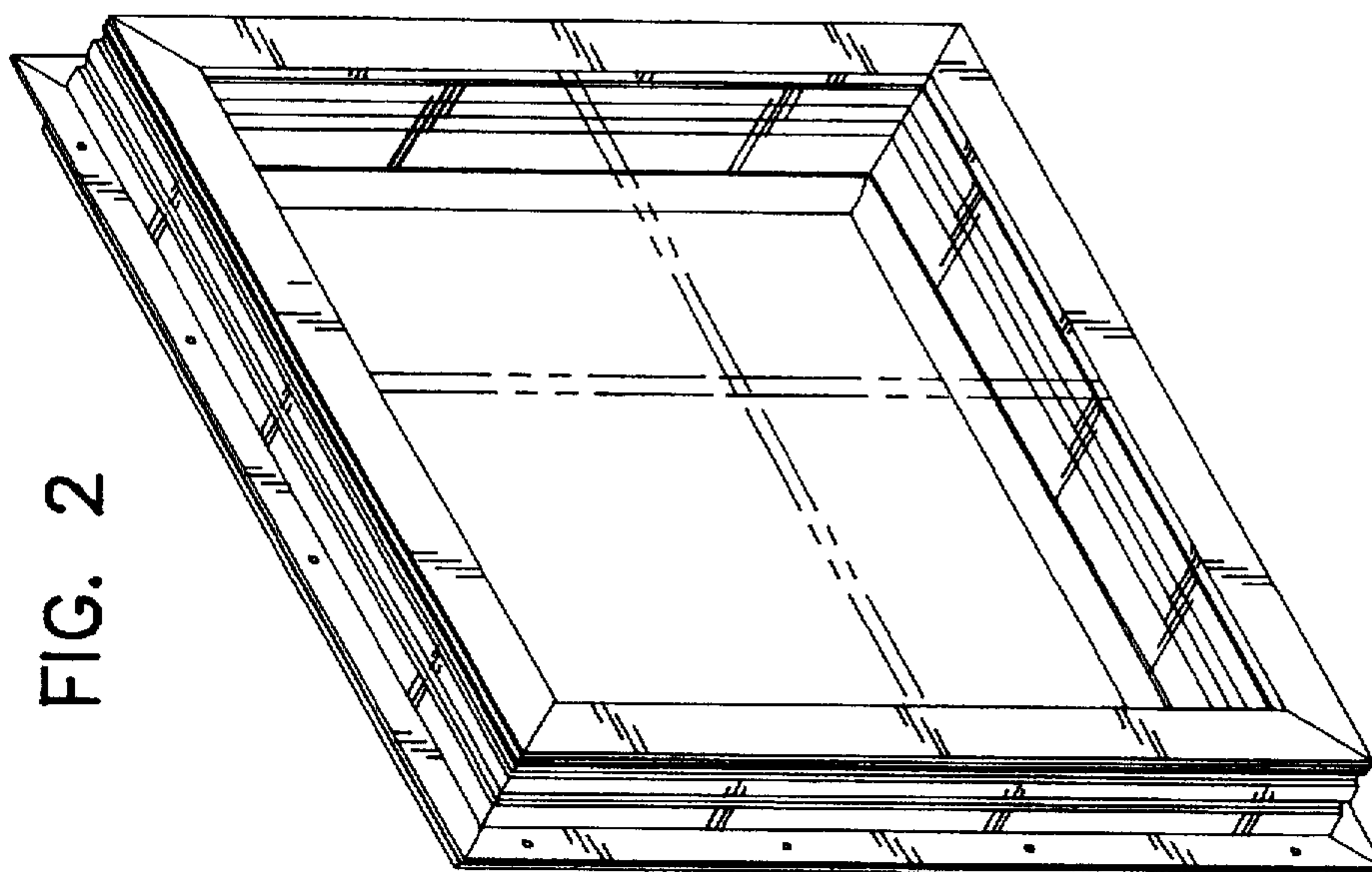


FIG. 2

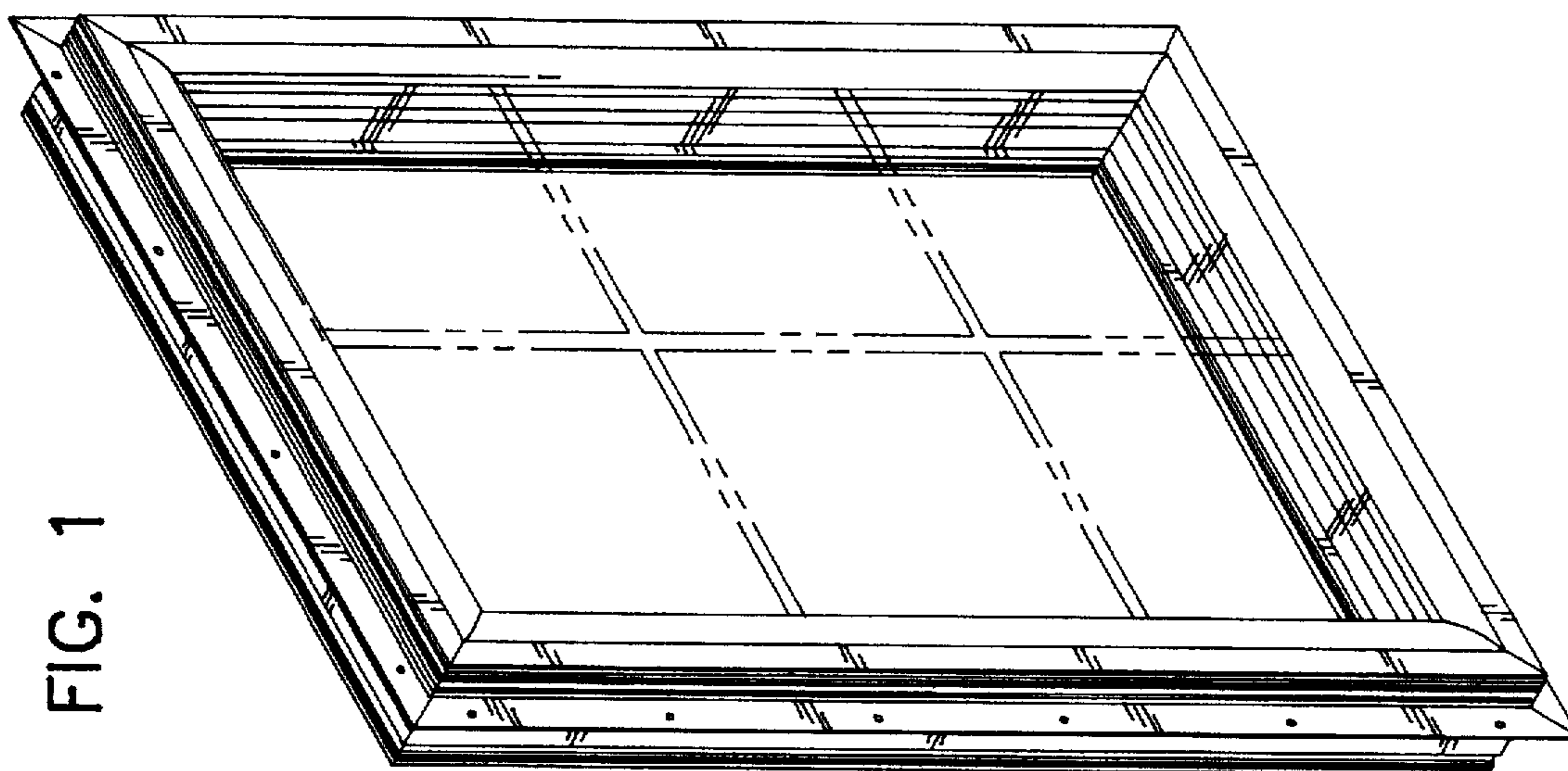


FIG. 1

FIG. 3

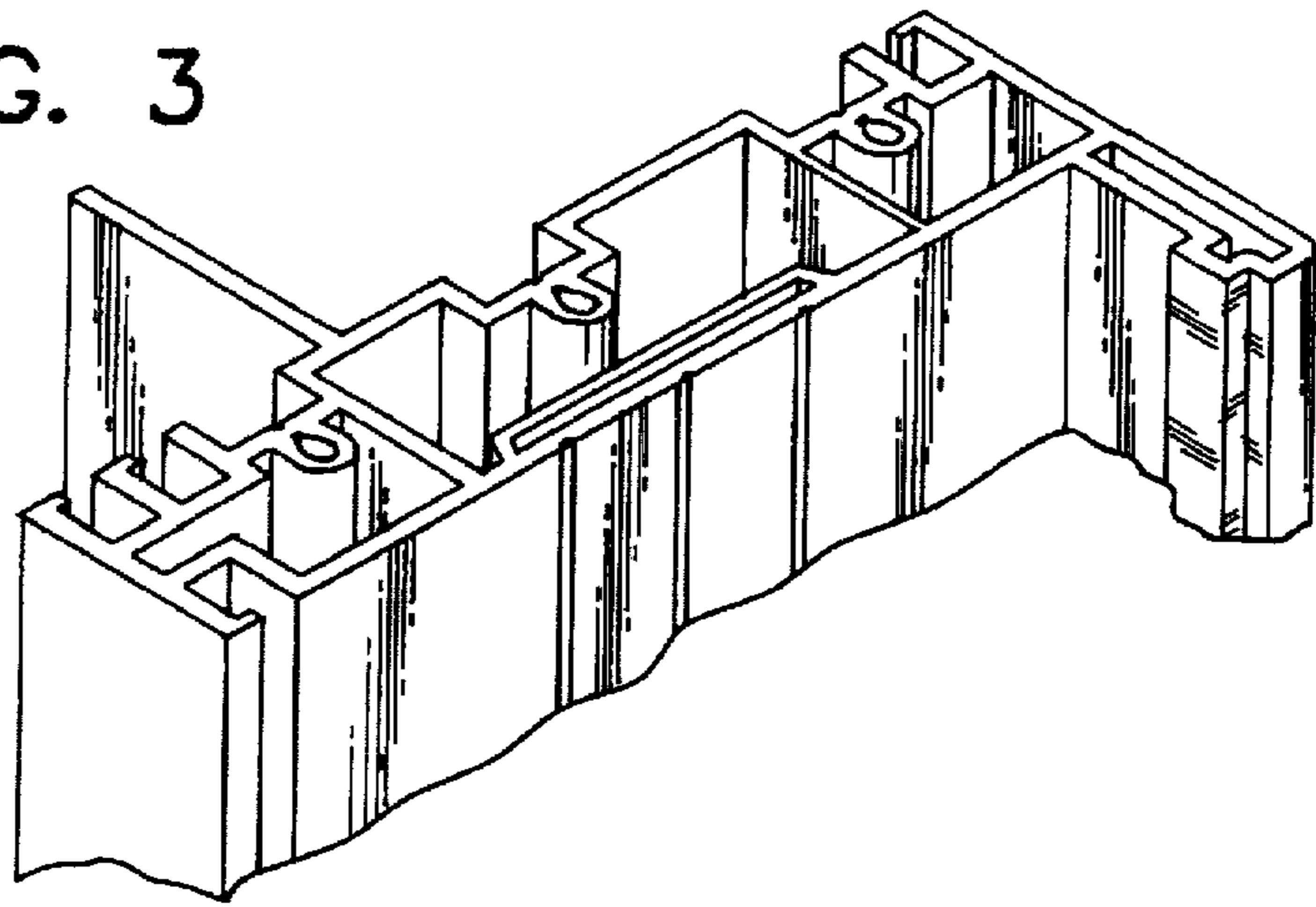


FIG. 4

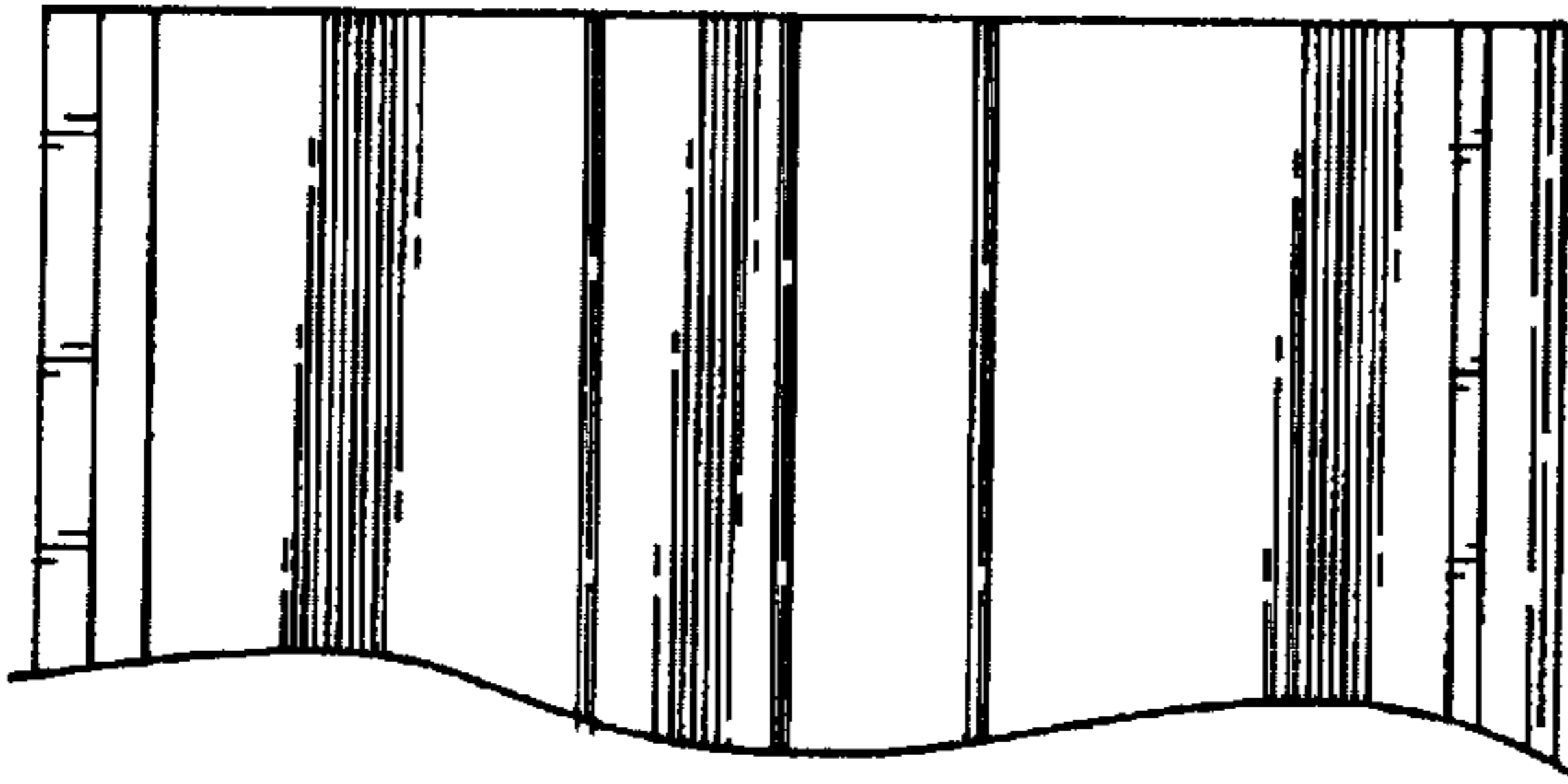


FIG. 5

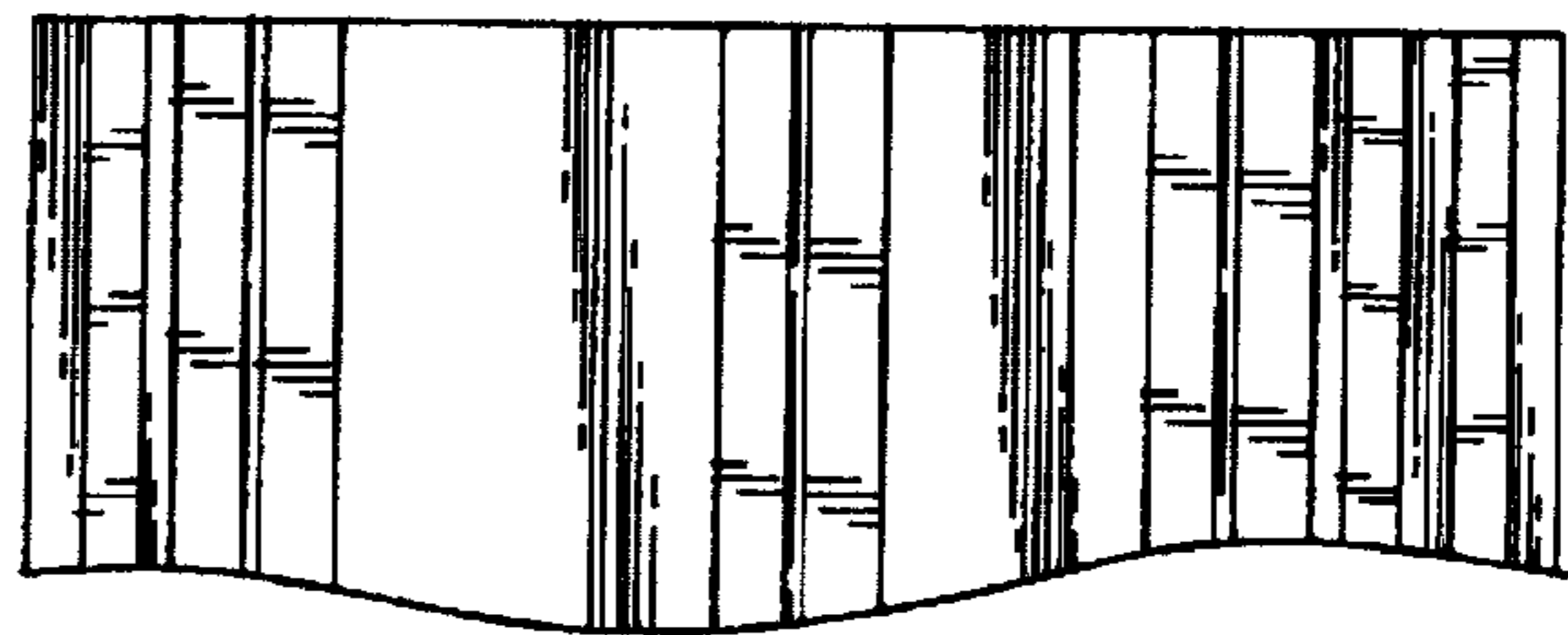


FIG. 6

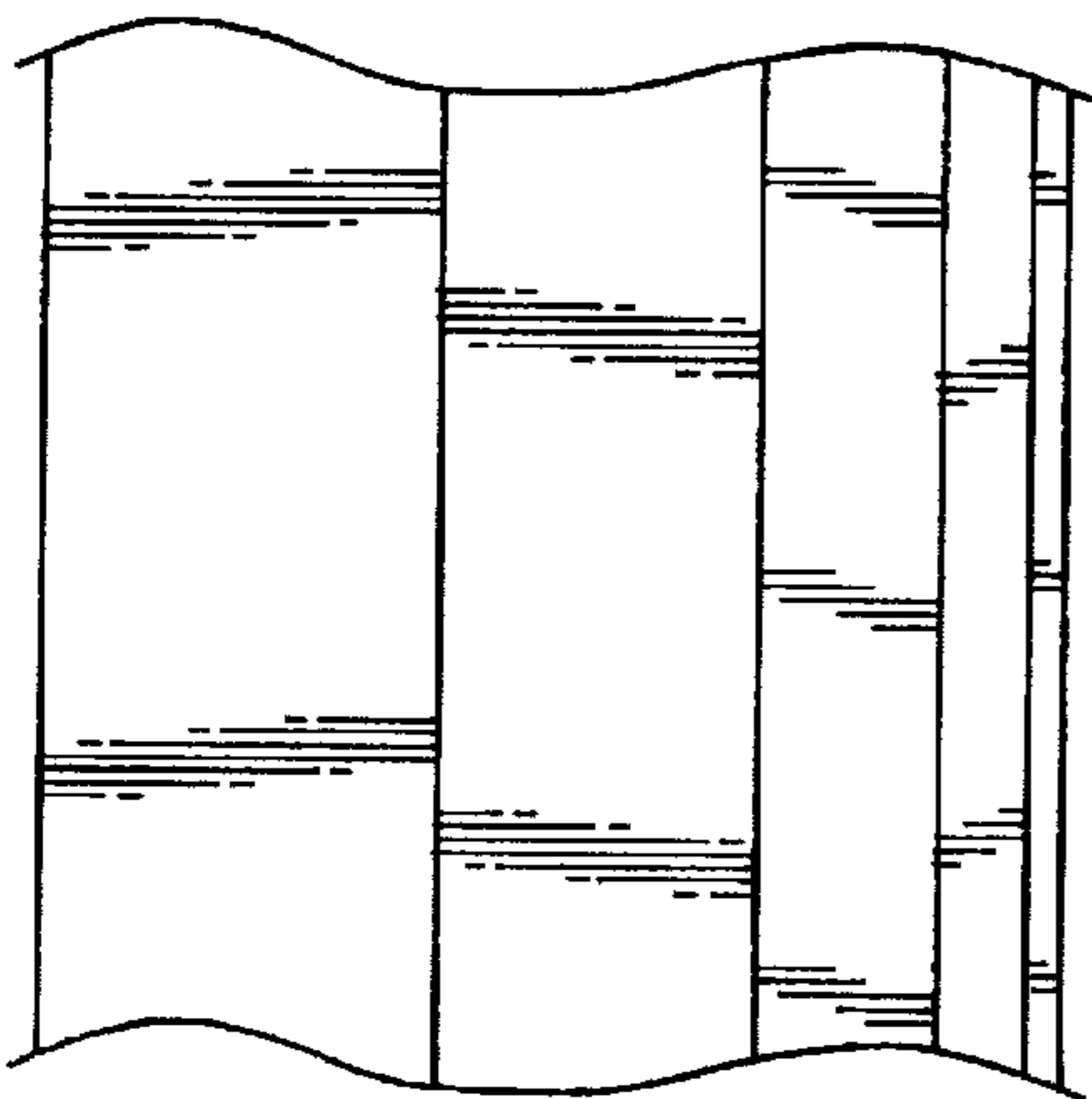


FIG. 7

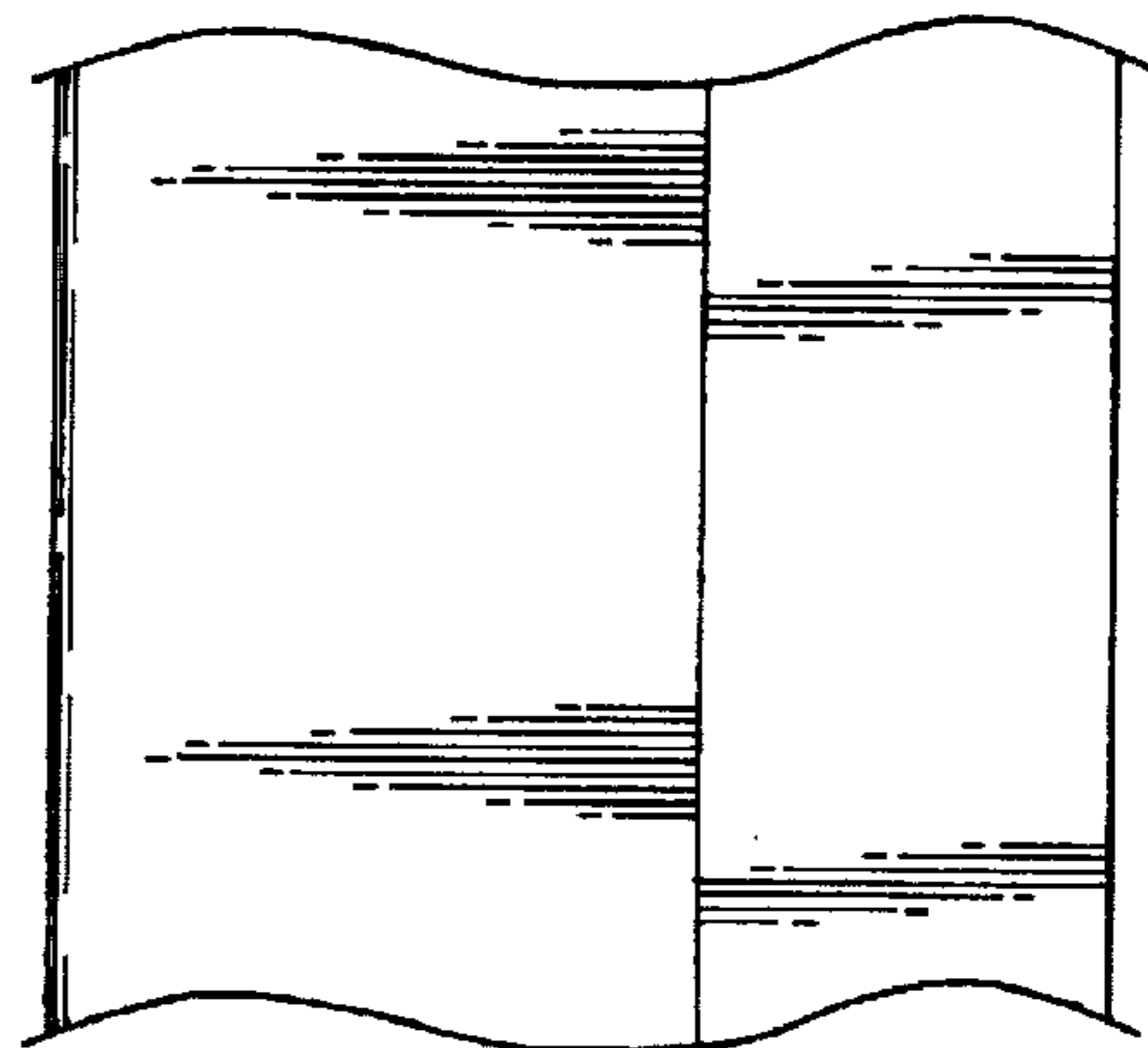


FIG. 8

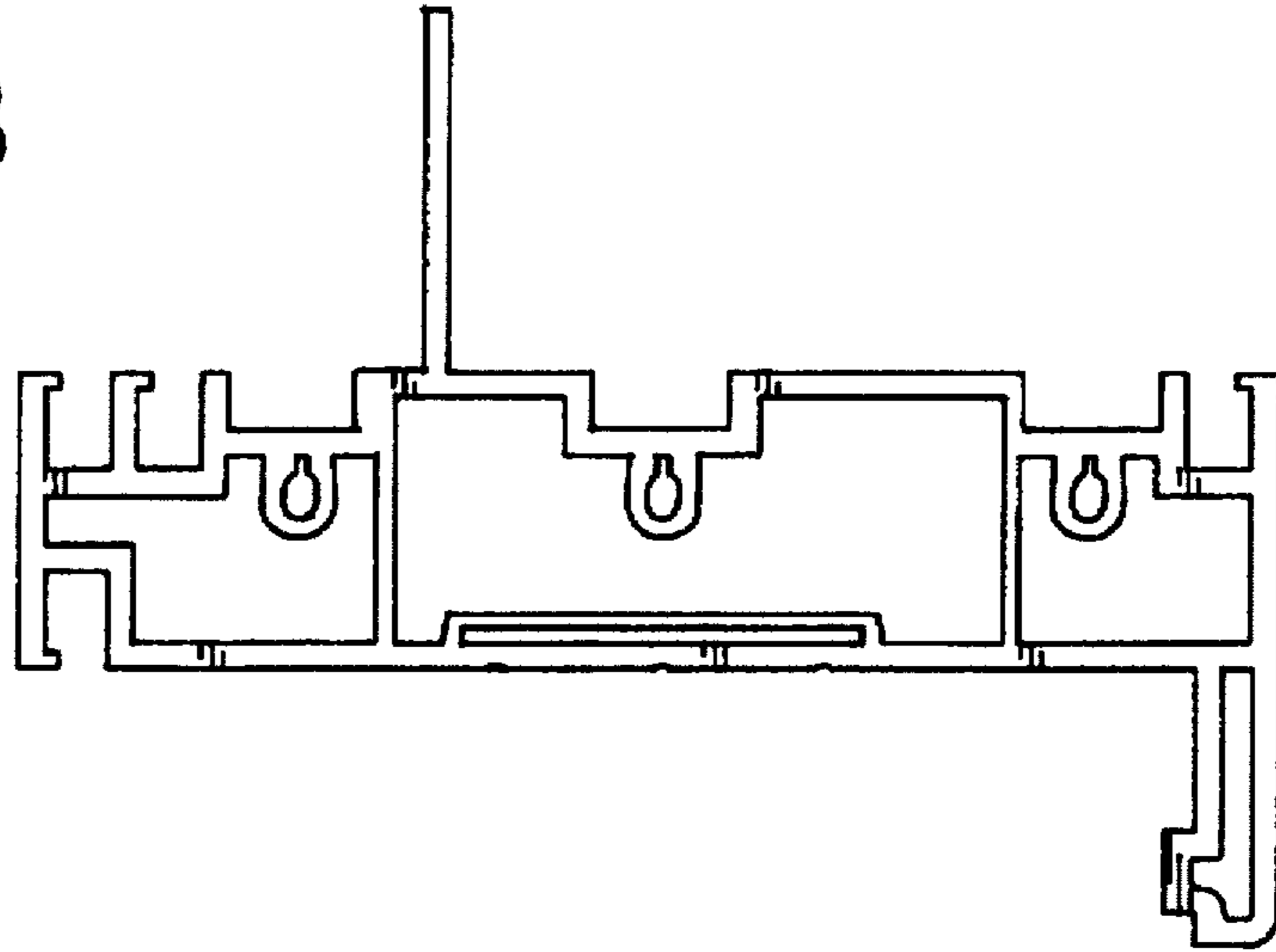
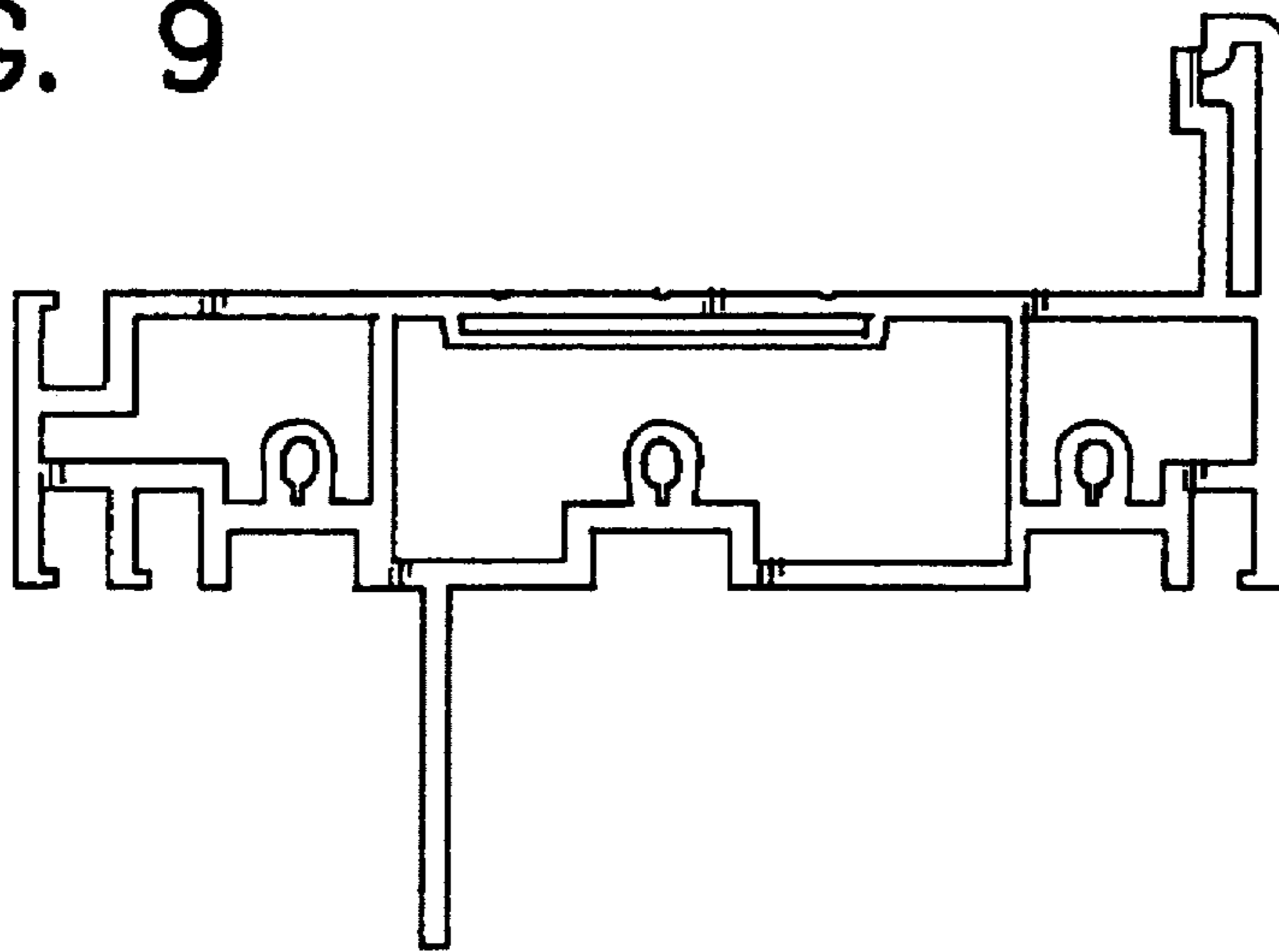


FIG. 9



UNITED STATES PATENT AND TRADEMARK OFFICE  
**CERTIFICATE OF CORRECTION**

PATENT NO. : D379,233  
DATED : May 13, 1997  
INVENTOR(S) : B.C. Wright

It is certified that error appears in the above-identified patent and that said Letters Patent is hereby corrected as shown below:

On the title page,

col. 2	Assistant Examiner	"Gynn Andoll" should read --Greg Andoll--
Title page, item [57]	Description	"memnbers of" should read --members of--
col. 2	line 7 of text	
Title page, item [57]	Description	"FIGS. 1 and & 2" should read --FIGS. 1 & 2--
	lines 15-16 of text	

Signed and Sealed this  
Second Day of September, 1997

*Attest:*



BRUCE LEHMAN

*Attesting Officer*

*Commissioner of Patents and Trademarks*