



US00D379231S

United States Patent [19]
Ungari

[11] **Patent Number: Des. 379,231**

[45] **Date of Patent: **May 13, 1997**

[54] **MEDICAL ULTRASONIC IMAGING SYSTEM**

D. 334,981 4/1993 Davis et al. D24/160
D. 360,690 7/1995 Murakami D24/160
4,625,731 12/1986 Quedens et al. 128/660.07

[75] **Inventor: Joseph L. Ungari, Everett, Wash.**

[73] **Assignee: Advanced Technology Laboratories, Inc., Bothell, Wash.**

Primary Examiner—Stella Reid

[**] **Term: 14 Years**

[57] **CLAIM**

[21] **Appl. No.: 29,613**

The ornamental design for a medical ultrasonic imaging system, as shown and described.

[22] **Filed: Oct. 12, 1994**

DESCRIPTION

[51] **LOC (6) Cl. 24-01**

[52] **U.S. Cl. D24/160**

[58] **Field of Search D24/186, 160;
128/653, 660.1, 660.2, 660.3, 660.07; 73/632,
640, 641, 620, 625**

FIG. 1 is a front perspective view of a medical ultrasonic imaging system of the present invention;

FIG. 2 is a rear perspective view thereof; and,

FIG. 3 is an enlarged fragmentary perspective view of the keyboard thereof.

[56] **References Cited**

U.S. PATENT DOCUMENTS

D. 300,241 3/1989 La Celle et al. D24/160

1 Claim, 3 Drawing Sheets

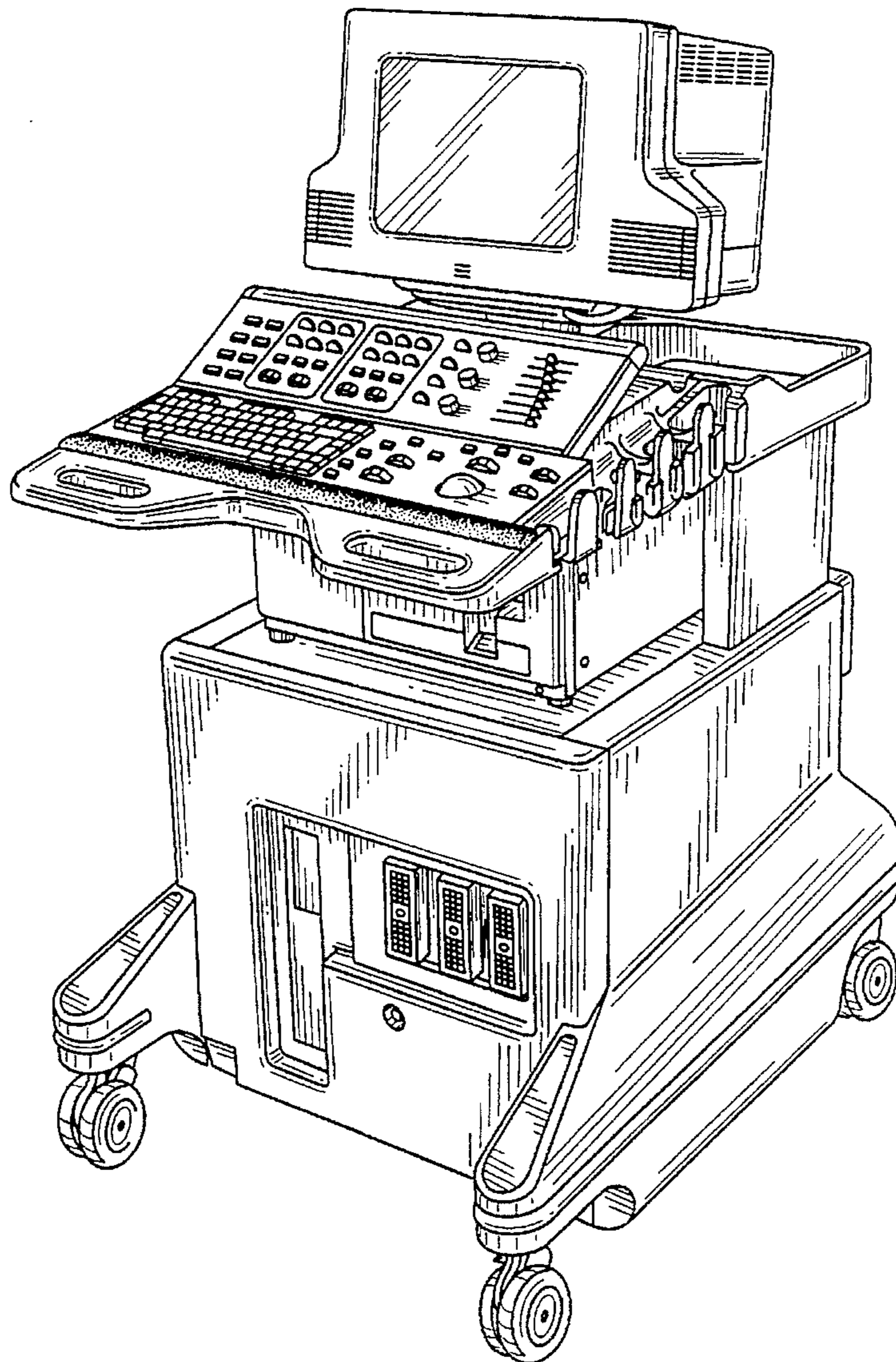


FIG. 1

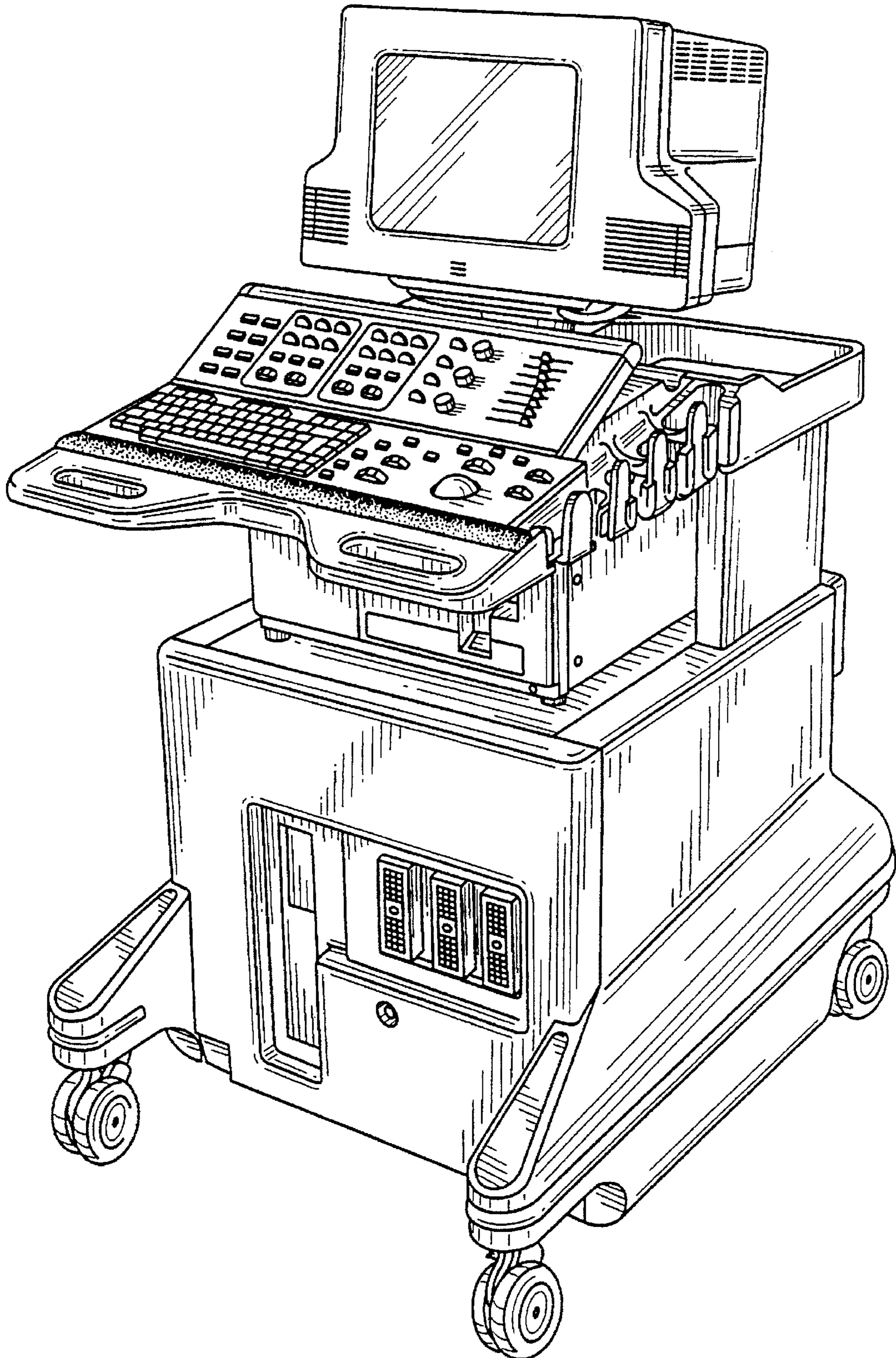


FIG. 2

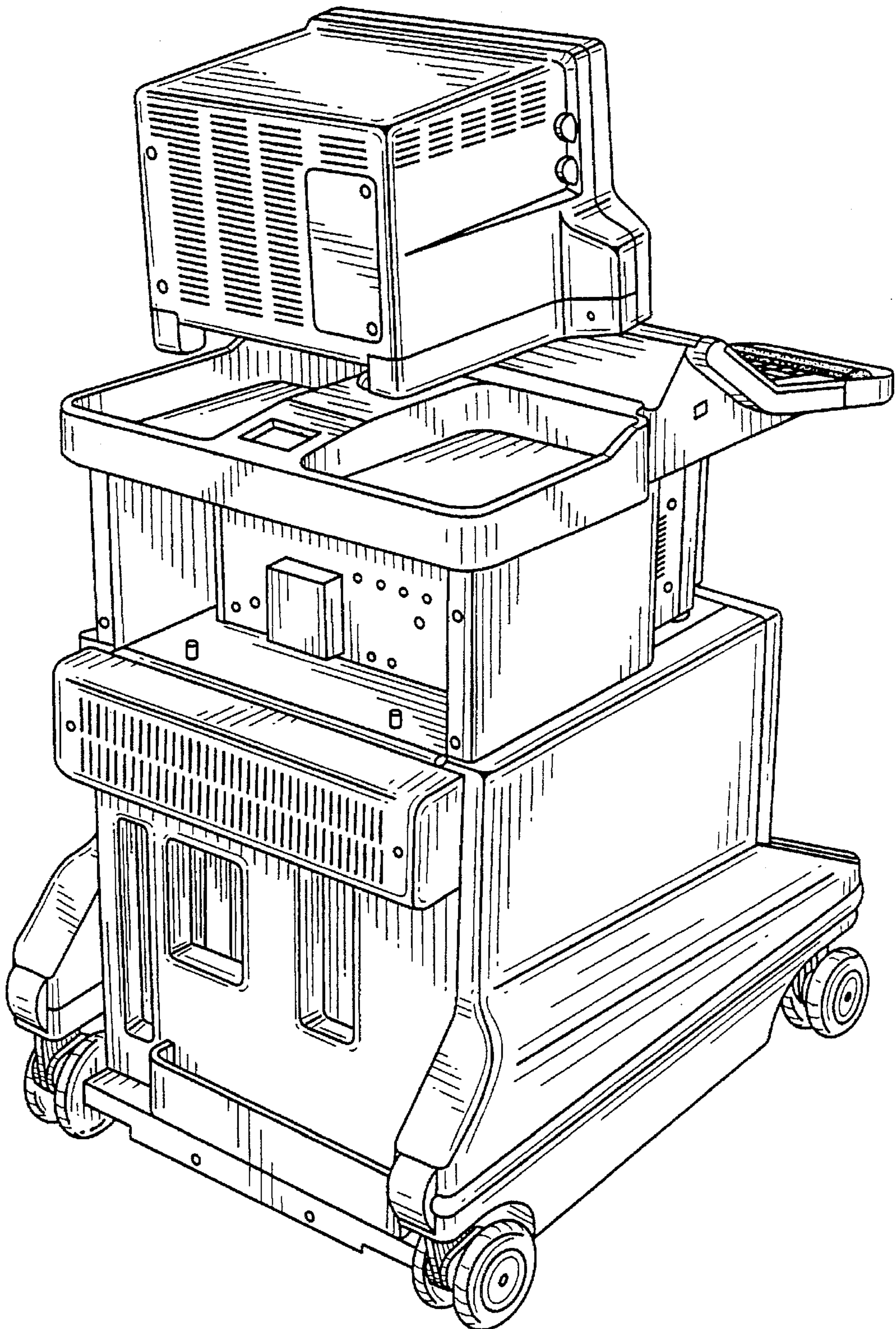


FIG. 3

