



US00D379213S

**United States Patent** [19]  
**Gottwald**

[11] **Patent Number: Des. 379,213**  
[45] **Date of Patent: \*\*May 13, 1997**

[54] **FAUCET**

[75] **Inventor: Adolf Gottwald, Iserlohn, Germany**

[73] **Assignee: Friedrich Grohe Aktiengesellschaft, Hemer, Germany**

[\*] **Notice:** The portion of the term of this patent subsequent to Jan. 28, 2011, has been disclaimed.

[\*\*] **Term: 14 Years**

[21] **Appl. No.: 46,662**

[22] **Filed: Oct. 20, 1995**

[30] **Foreign Application Priority Data**

May 17, 1995 [DE] Germany ..... M9504047.1

[51] **LOC (6) Cl. .... 23-01**

[52] **U.S. Cl. .... D23/238**

[58] **Field of Search .... D23/238-243, D23/250-257; 4/675-678; 137/801**

[56] **References Cited**

**U.S. PATENT DOCUMENTS**

D. 281,097 10/1985 Arnold et al. .... D23/243 X

D. 331,276	11/1992	Knapp .....	D23/238
D. 343,227	1/1994	Dannenberg et al. ....	D23/238
D. 364,213	11/1995	Dannenberg et al. ....	D23/238
D. 366,098	1/1996	Gottwald .....	D23/238

*Primary Examiner*—Louis S. Zarfaz  
*Assistant Examiner*—Eric Wotterson  
*Attorney, Agent, or Firm*—Herbert Dubno

[57] **CLAIM**

The ornamental design for a faucet, as shown.

**DESCRIPTION**

FIG. 1 is a top, front, left-side perspective view of a faucet showing my new design;

FIG. 2 is a right side elevational view thereof;

FIG. 3 is a left side elevational view thereof;

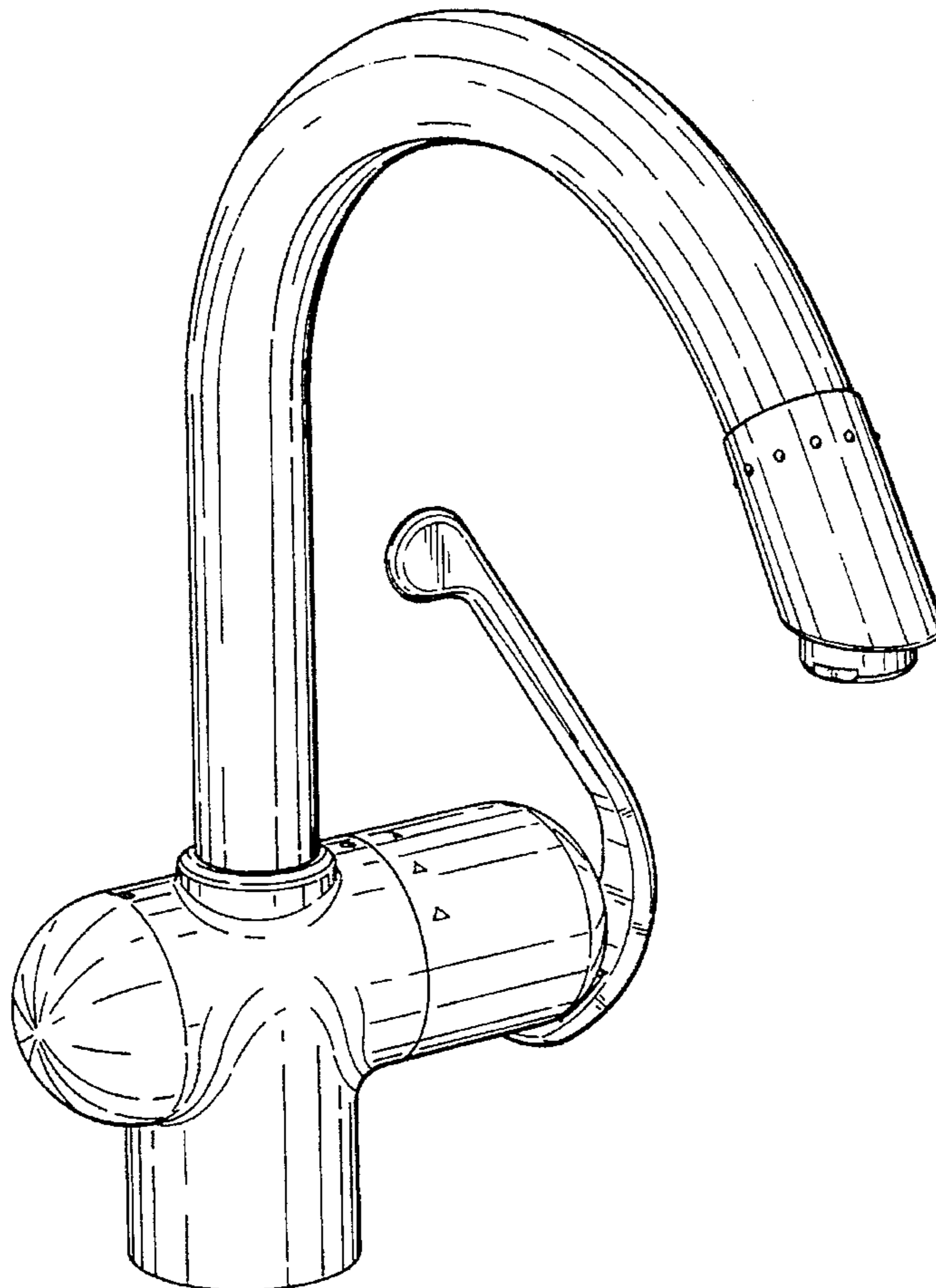
FIG. 4 is a front elevational view thereof;

FIG. 5 is a rear view thereof;

FIG. 6 is a top view thereof; and,

FIG. 7 is a bottom view thereof.

**1 Claim, 7 Drawing Sheets**



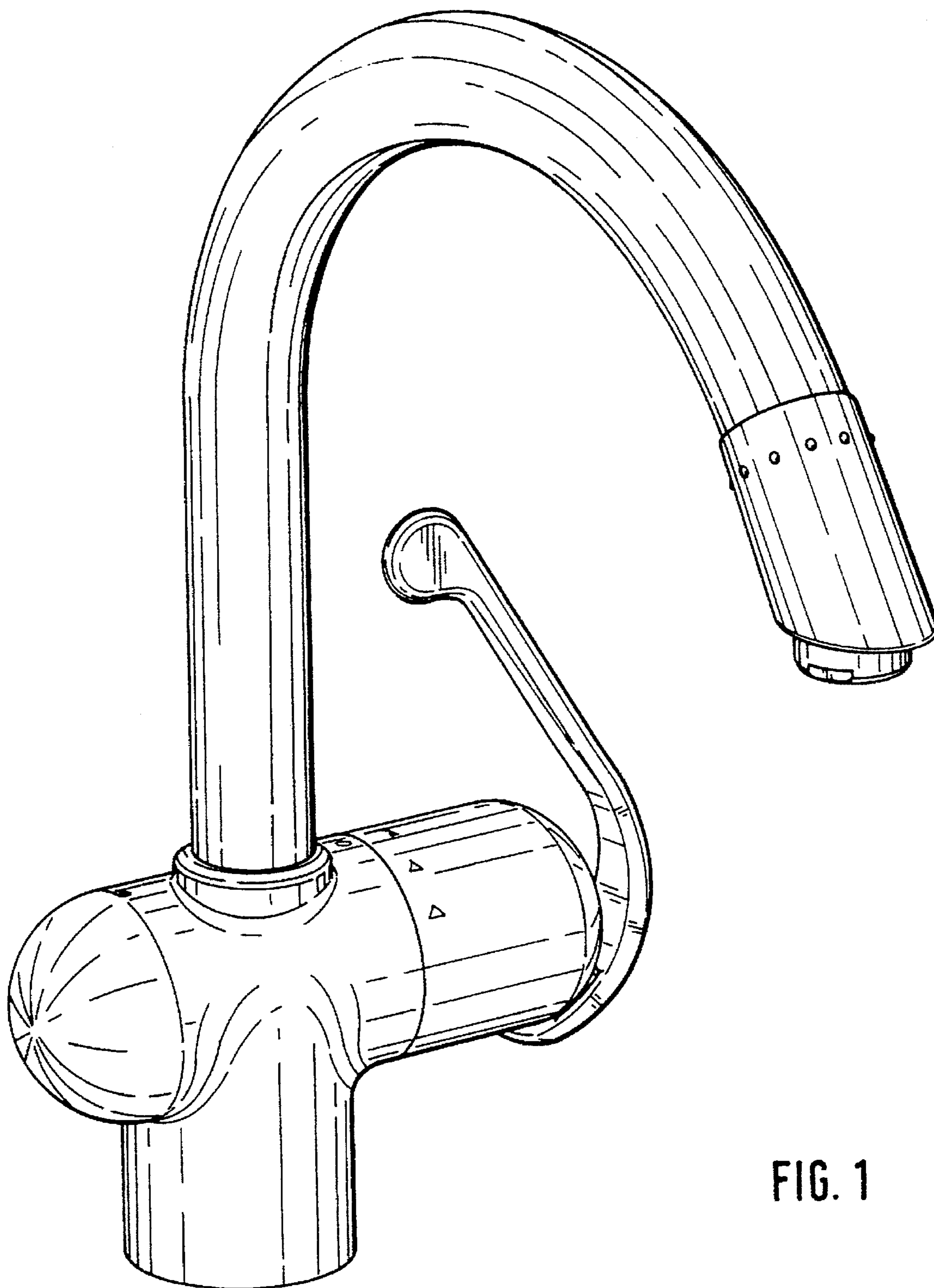


FIG. 1

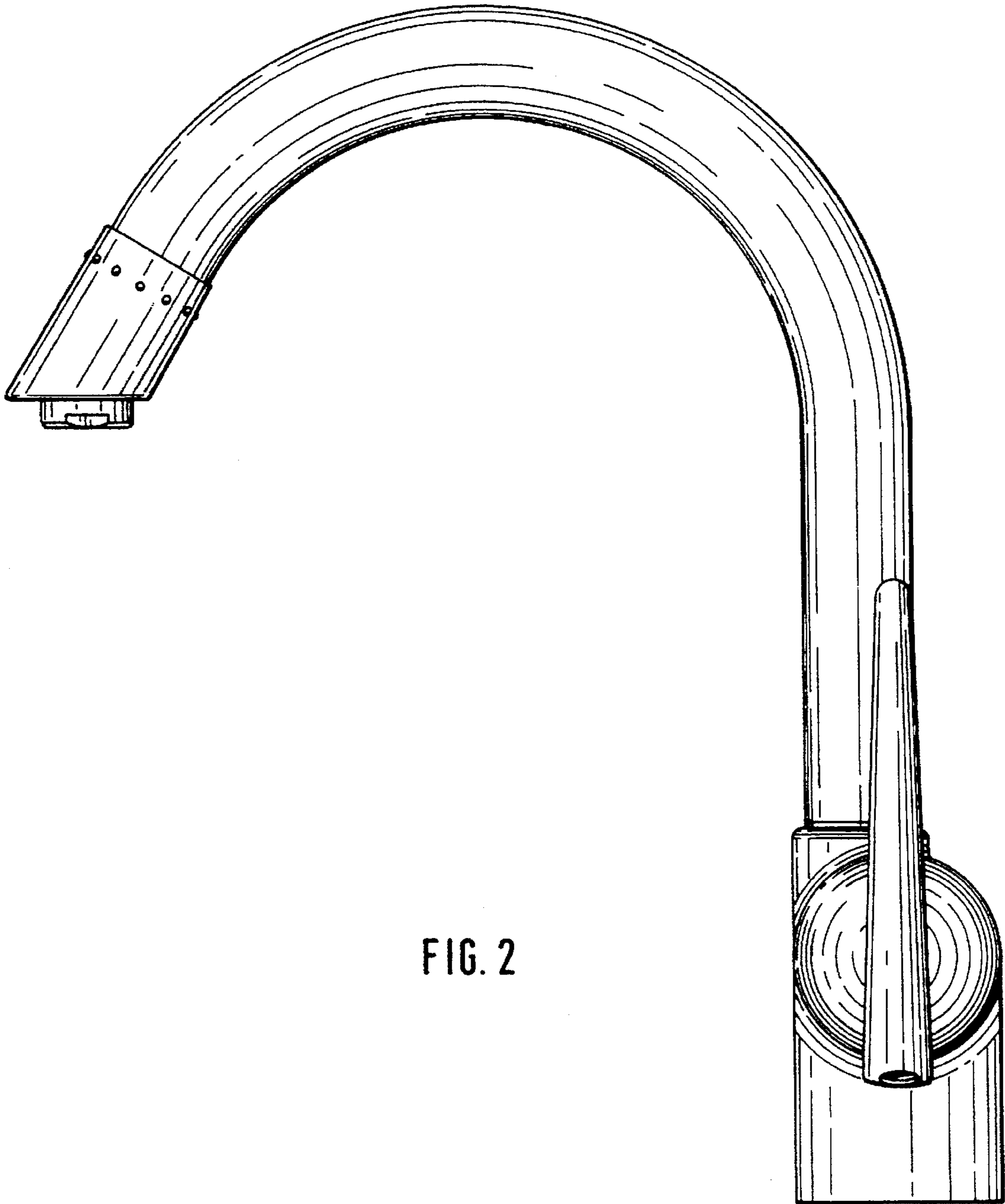


FIG. 2

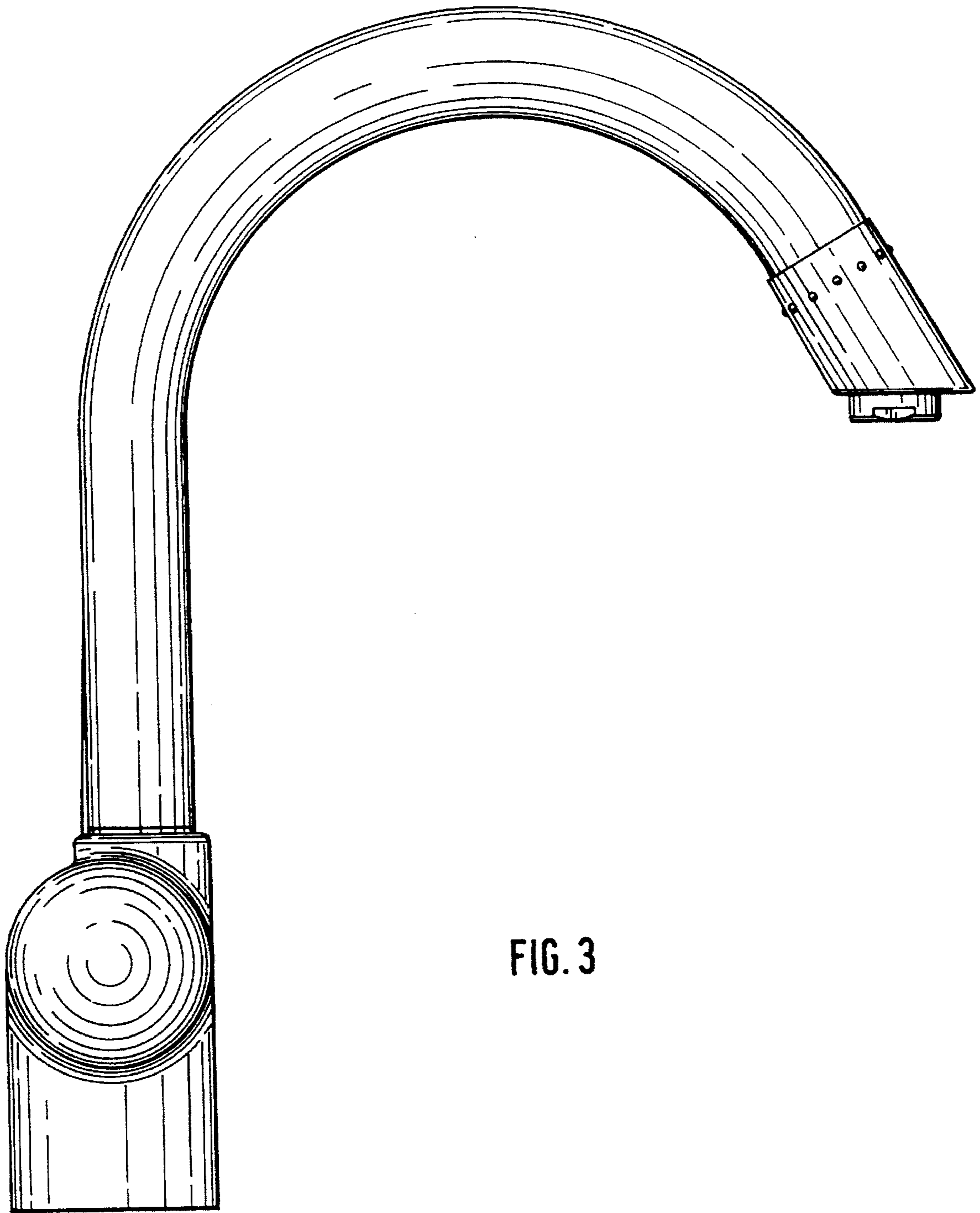


FIG. 3

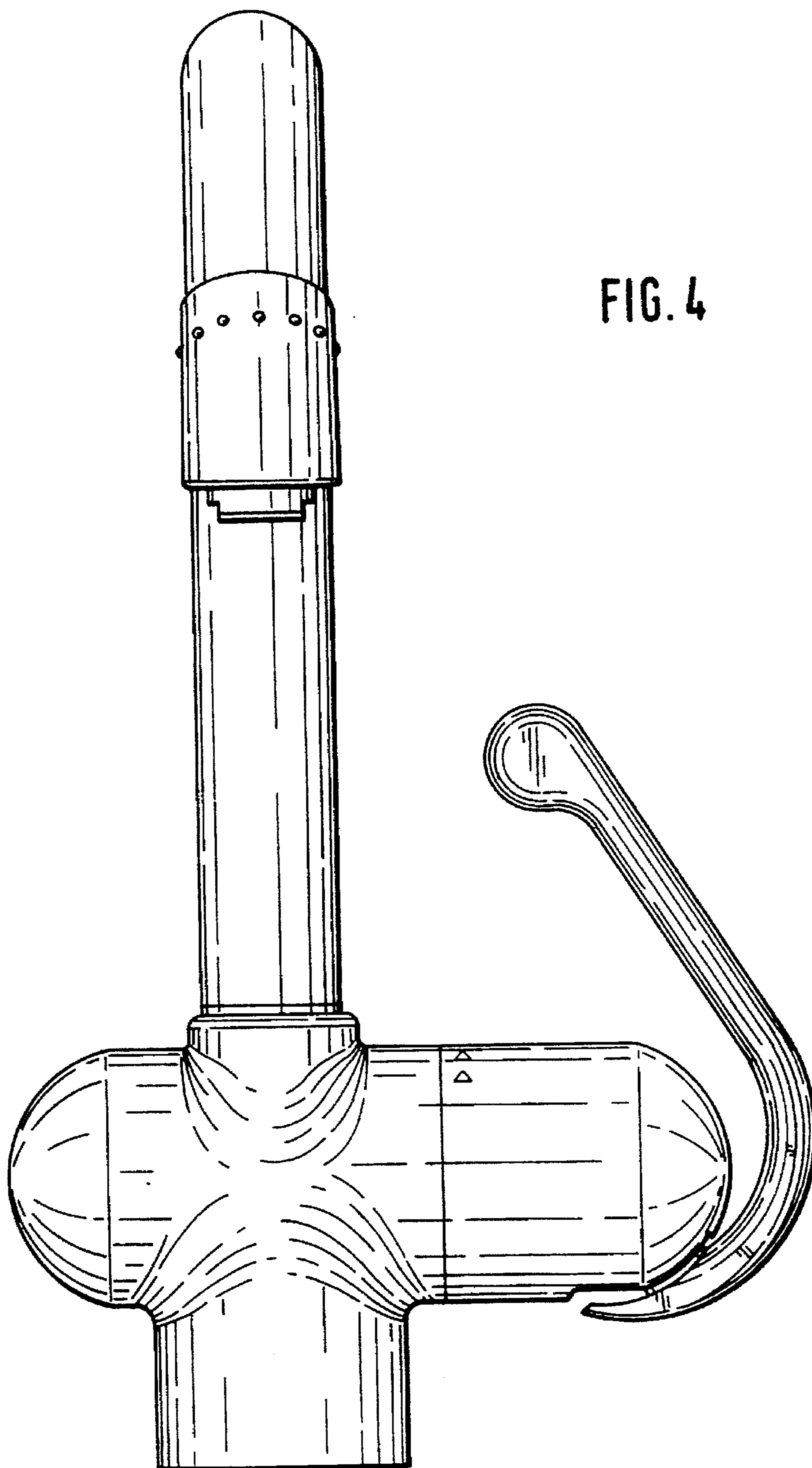
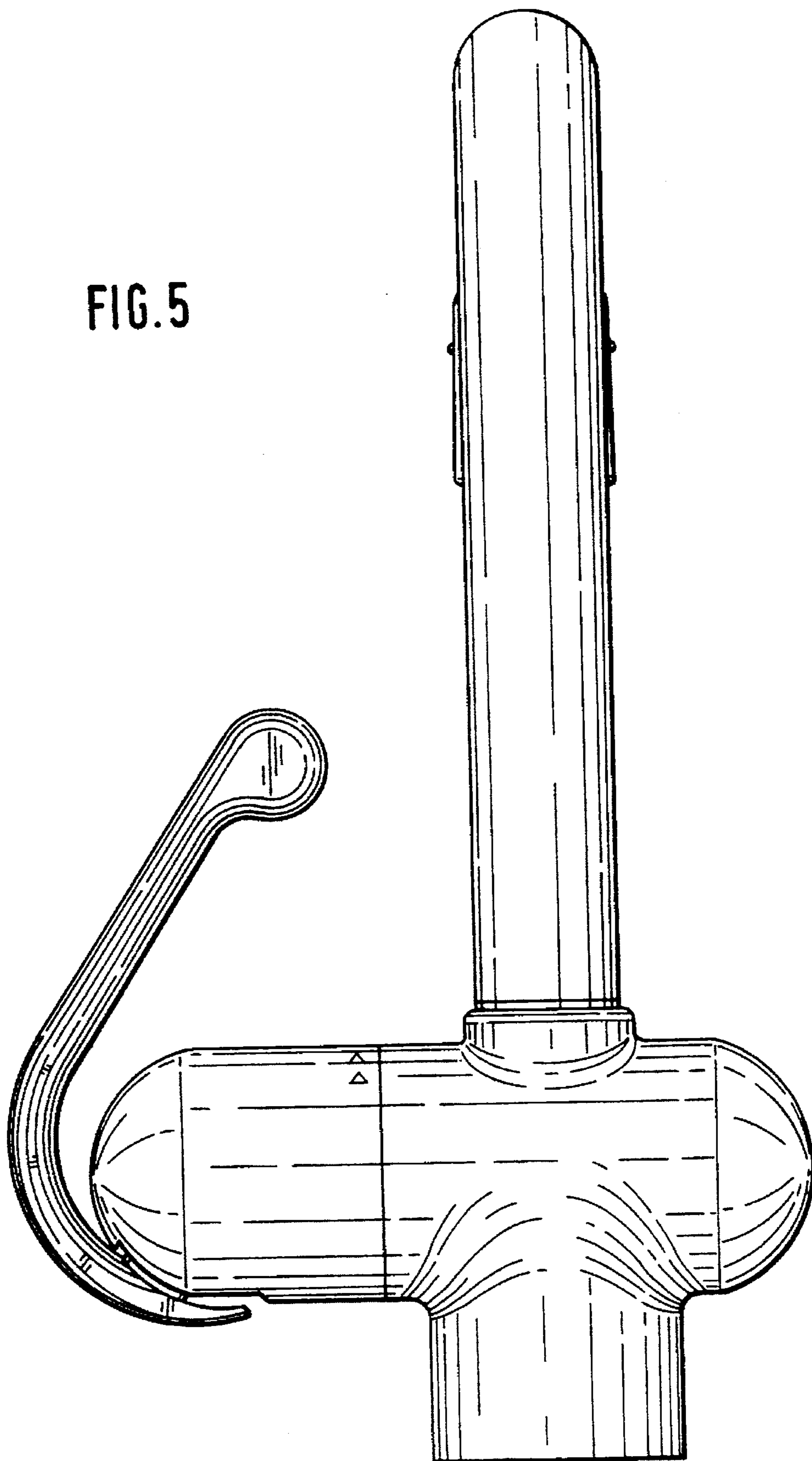


FIG. 4

FIG. 5



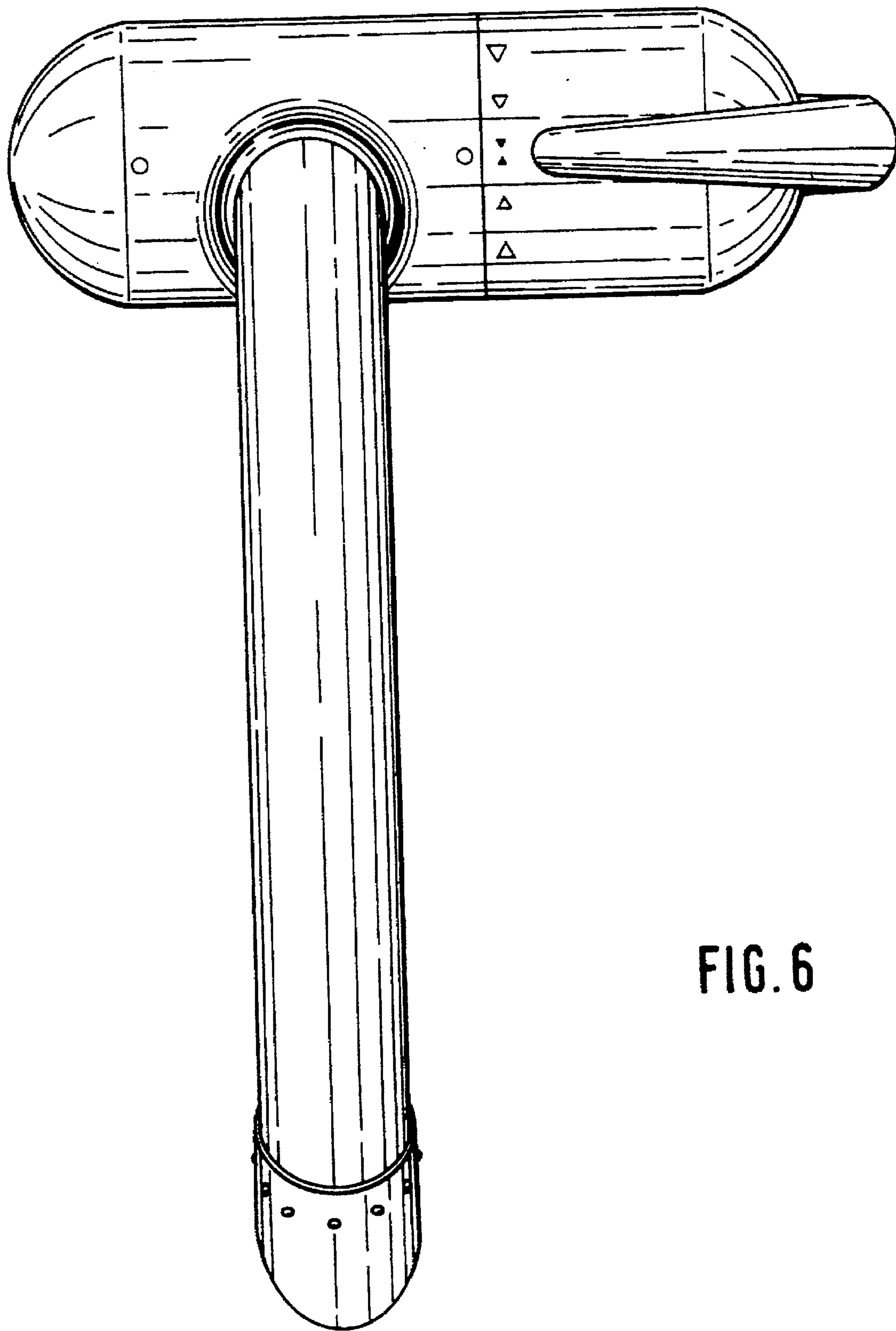


FIG. 6

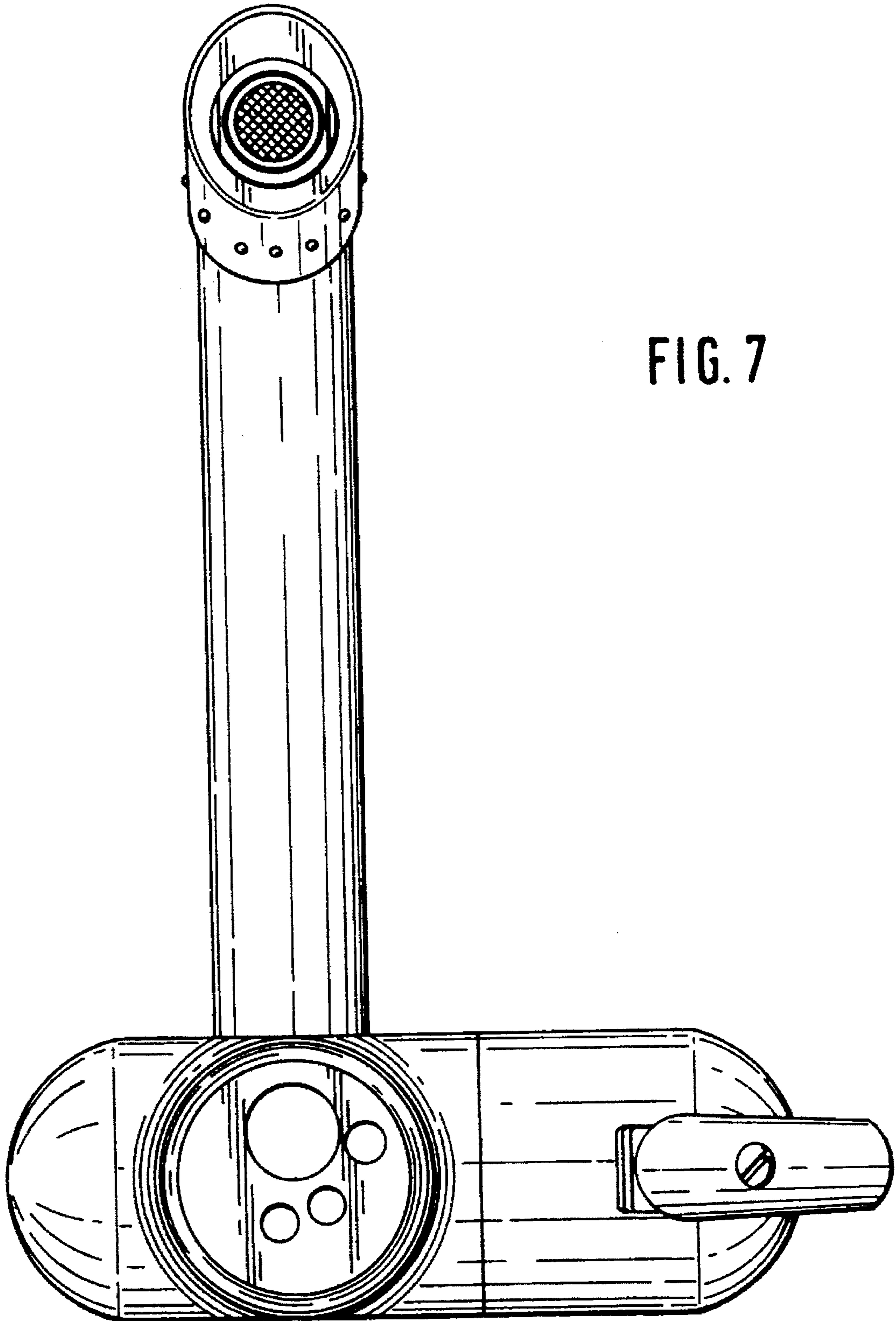


FIG. 7