



US00D379208S

# United States Patent [19]

[11] Patent Number: **Des. 379,208**

**Kulisek, Jr.**

[45] Date of Patent: **\*\*May 13, 1997**

[54] **SPORTING EQUIPMENT HANDLE GRIP**

5,082,279 1/1992 Hull et al. .... 273/170  
5,263,711 11/1993 Addis et al. .

[75] Inventor: **Joseph A. Kulisek, Jr.**, Las Vegas, Nev.

### OTHER PUBLICATIONS

[73] Assignee: **Tacki-Mac Grips, Inc.**, Las Vegas, Nev.

Advertisement by Eaton Molded Products for "Sports Pride Hockey Stick Grips" in The Sporting Goods Dealer, Sep. 1973.

[\*\*] Term: **14 Years**

*Primary Examiner*—Ted Shooman  
*Assistant Examiner*—Mitchell I. Siegel  
*Attorney, Agent, or Firm*—Quirk & Tratos

[21] Appl. No.: **42,974**

[22] Filed: **Aug. 22, 1995**

[51] **LOC (6) Cl.** ..... **21-02**

[52] **U.S. Cl.** ..... **D21/222; D21/210; D21/212**

[58] **Field of Search** ..... D21/222, 210, D21/212, 213; D8/DIG. 5, DIG. 6, DIG. 7, DIG. 8; 273/73 R, 67 A, 67 R, 81 R, 81 B

### [57] CLAIM

The ornamental design for a sporting equipment handle grip, as shown and described.

### [56] References Cited

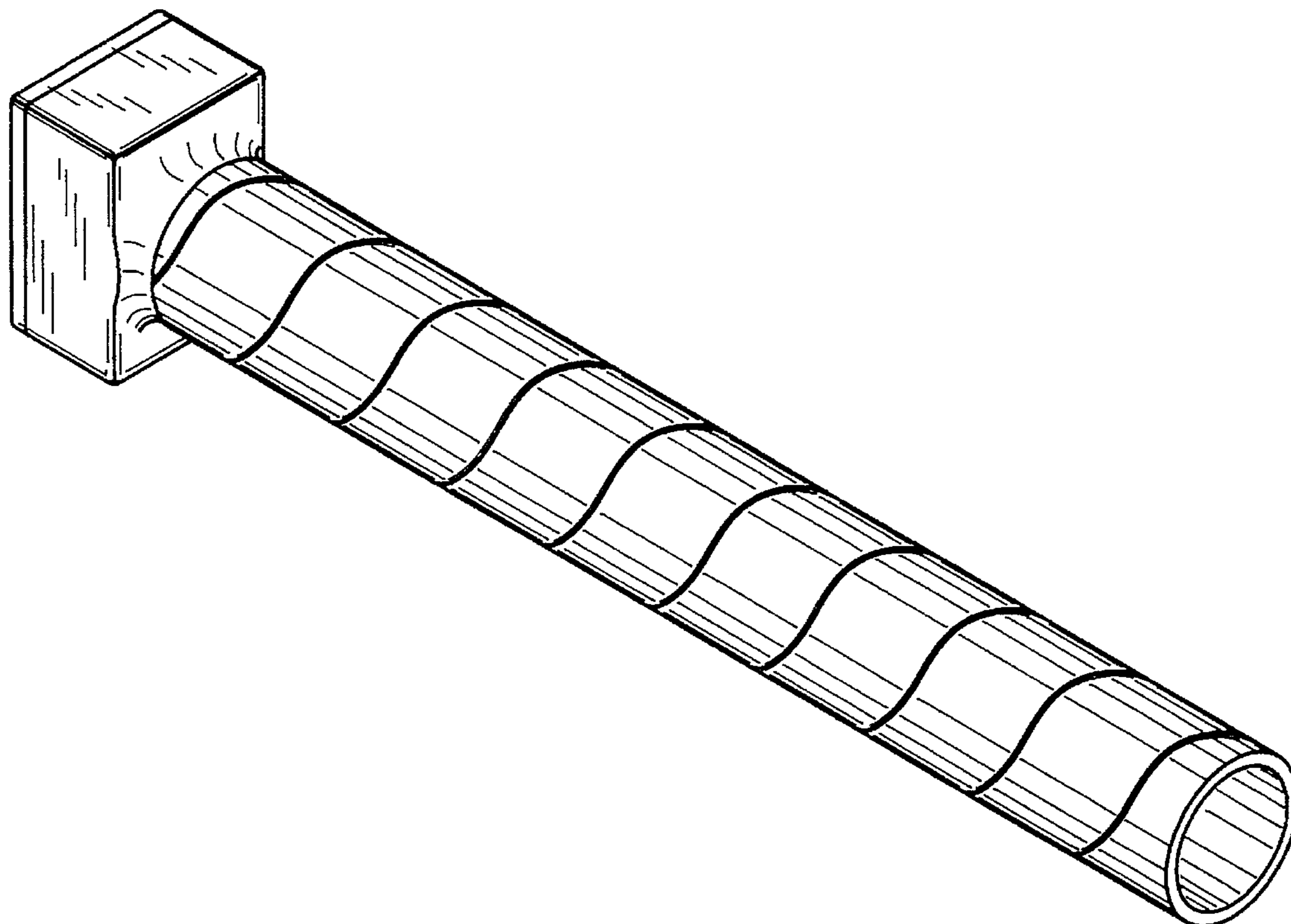
### DESCRIPTION

#### U.S. PATENT DOCUMENTS

D. 182,359	3/1958	Doughty .	
D. 300,741	4/1989	Yoshiharu .....	D21/212 X
D. 314,801	2/1991	McMahon .....	D21/212
D. 352,081	11/1994	Shelley .....	D21/212
1,687,736	10/1928	Root .	
4,012,039	3/1977	Yerke .....	273/72 R
4,052,059	10/1977	Rigsby .	
4,086,115	4/1978	Sweet, Jr. et al. .	
4,351,528	9/1982	Duplin .	
4,361,325	11/1982	Jansen .	
5,005,254	4/1991	Uffindell .....	273/72 R X

FIG. 1 is a perspective of a sporting equipment handle grip showing my new design;  
FIG. 2 is a front elevational view thereof;  
FIG. 3 is a side elevational view thereof;  
FIG. 4 is a top plan view thereof; and,  
FIG. 5 is a bottom plan view thereof.  
The undisclosed opposite sides of FIGS. 2 and 3 are identical except for the starting point of the spiral wrapping.  
The broken line showing of a fragmented shaft in FIGS. 2 and 3 is for illustrative purposes only and forms no part of the claimed design.

**1 Claim, 2 Drawing Sheets**



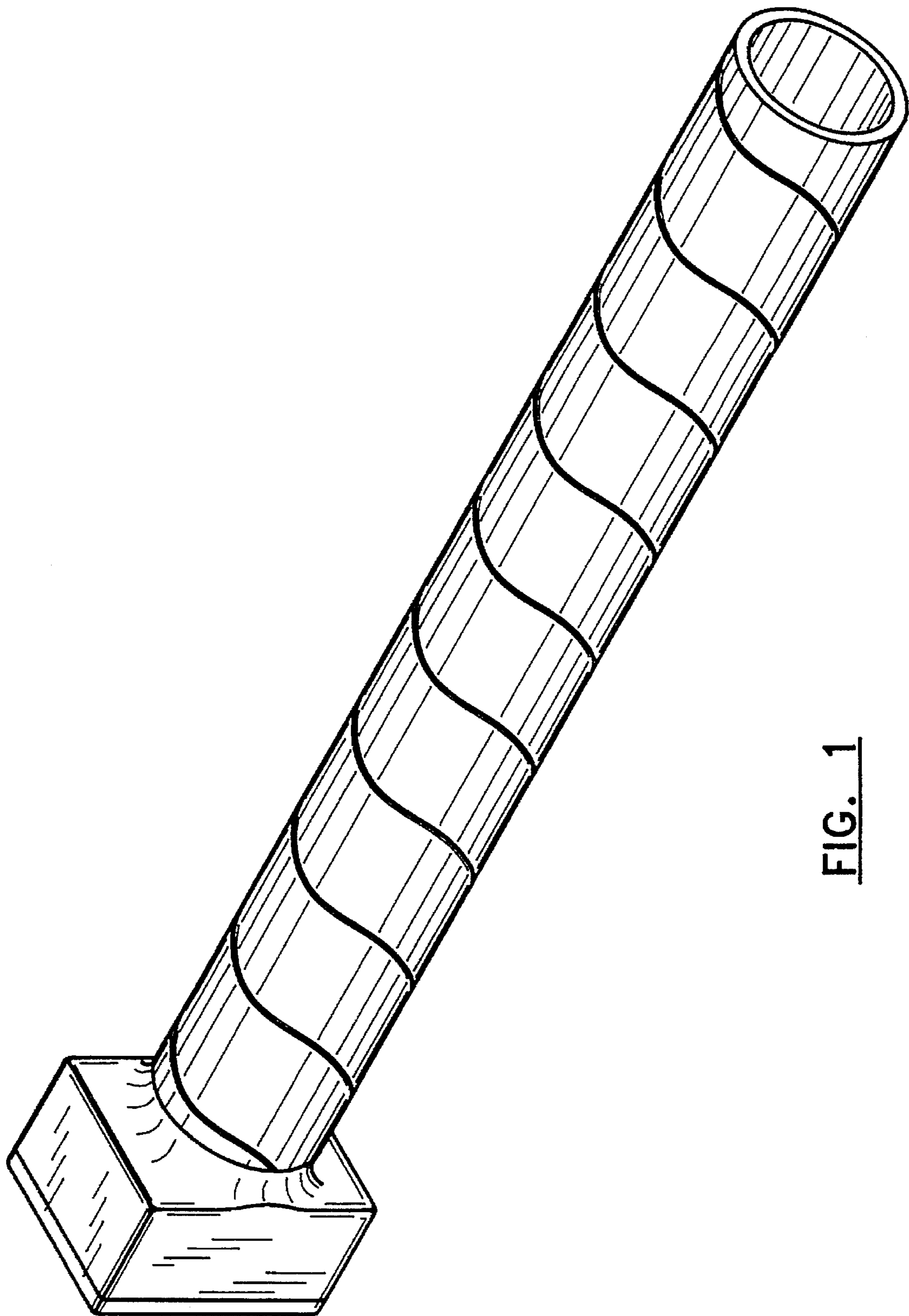


FIG. 1

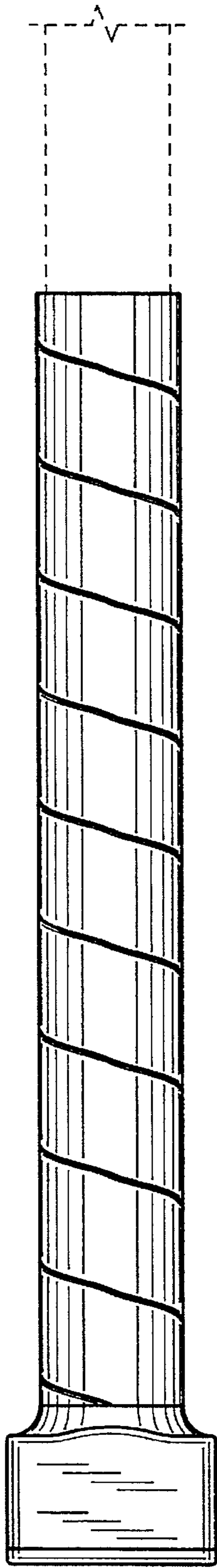


FIG. 2

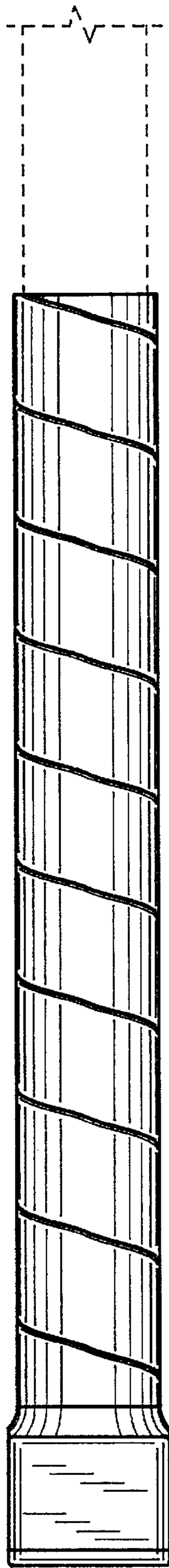


FIG. 3

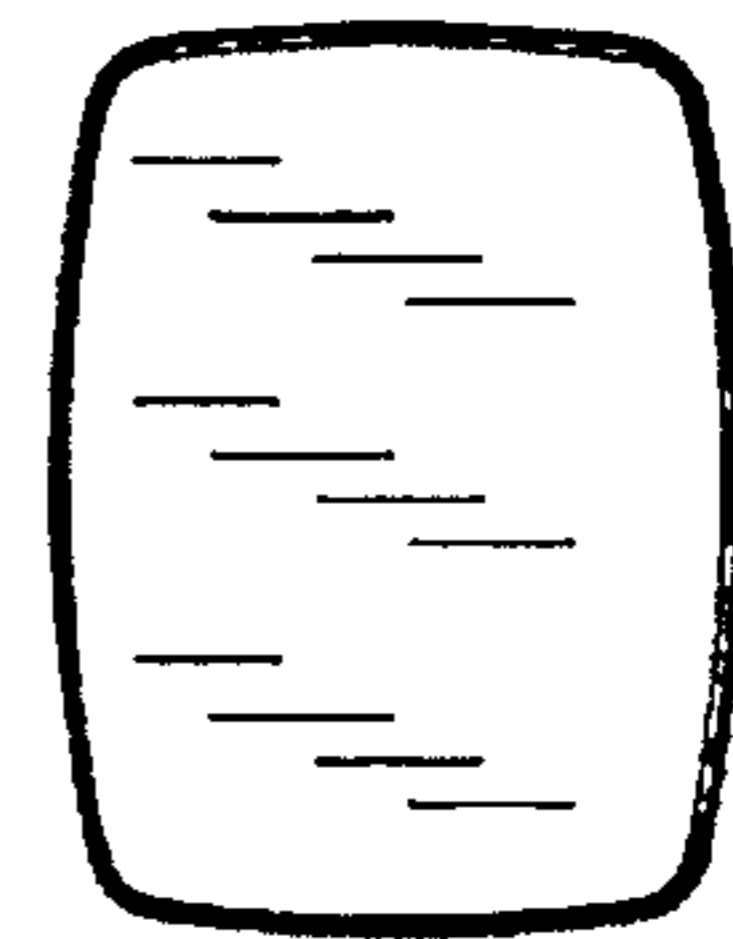


FIG. 4

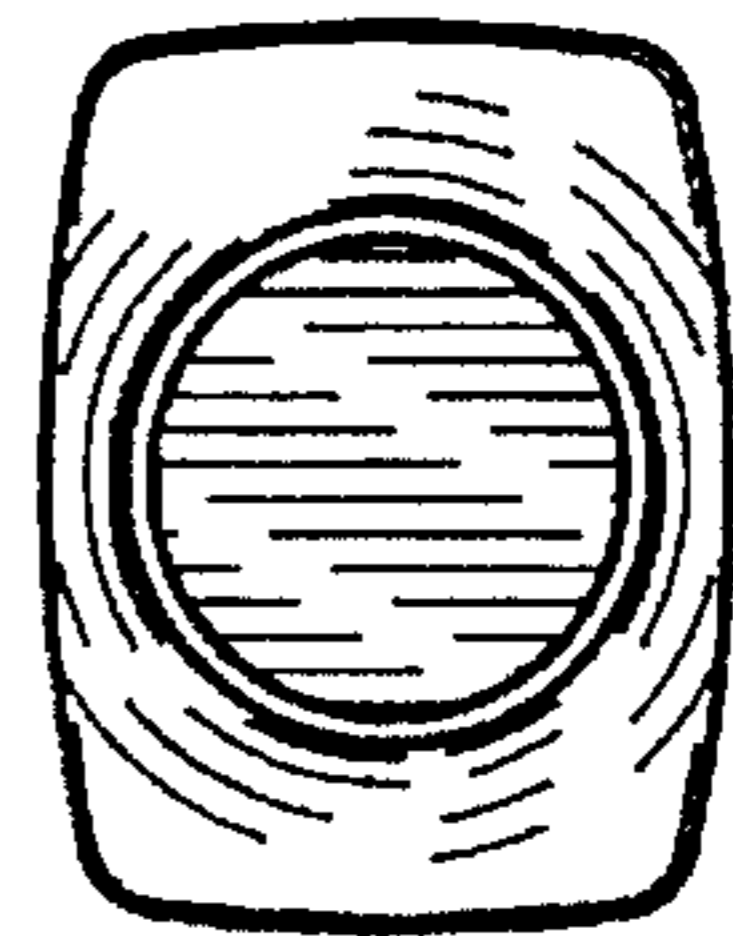


FIG. 5