



US00D379203S

**United States Patent** [19]  
**Oikawa**

[11] **Patent Number: Des. 379,203**  
[45] **Date of Patent: \*\*May 13, 1997**

[54] **CONTROLLER FOR VIDEO GAME MACHINE**

[75] **Inventor: Akitoshi Oikawa, Tokyo, Japan**

[73] **Assignee: Sega Enterprises, Ltd., Japan**

[\*\*] **Term: 14 Years**

[21] **Appl. No.: 44,483**

[22] **Filed: Sep. 25, 1995**

[51] **LOC (6) Cl. .... 21-01**

[52] **U.S. Cl. .... D21/48**

[58] **Field of Search .... D21/48, 13, 1;  
273/148 B, 433-438, DIG. 28**

[56] **References Cited**

**U.S. PATENT DOCUMENTS**

D. 306,615	3/1990	Hayes	.....	D21/48
D. 313,251	12/1990	Hayes	.....	D21/48
D. 330,371	10/1992	Tse	.....	D21/48
D. 352,739	11/1994	Ho	.....	D21/48
D. 362,693	9/1995	Carter et al.	.....	D21/48
4,588,187	5/1986	Dell	.....	273/148 B X
4,658,666	4/1987	Liu	.....	273/148 B X

**OTHER PUBLICATIONS**

HongKong Electronics, 1985, p. 9.

*Primary Examiner*—Prabhakar G. Deshmukh  
*Attorney, Agent, or Firm*—Ladas & Parry

[57] **CLAIM**

The ornamental design for a controller for video game machine, as shown and described.

**DESCRIPTION**

FIG. 1 is a perspective view of a controller for video game machine showing my new design;

FIG. 2 is a front view thereof;

FIG. 3 is a rear view thereof;

FIG. 4 is a top view thereof;

FIG. 5 is a bottom view thereof;

FIG. 6 is a right side view thereof;

FIG. 7 is a left side view thereof;

FIG. 8 is a perspective view thereof, in which a handle portion is at a different angle from that shown in FIG. 1;

FIG. 9 is a perspective view thereof, in which a handle portion is at a further different angle from that shown in FIG. 1; and,

FIG. 10 is a perspective view thereof, in which a handle portion is extended.

**1 Claim, 6 Drawing Sheets**

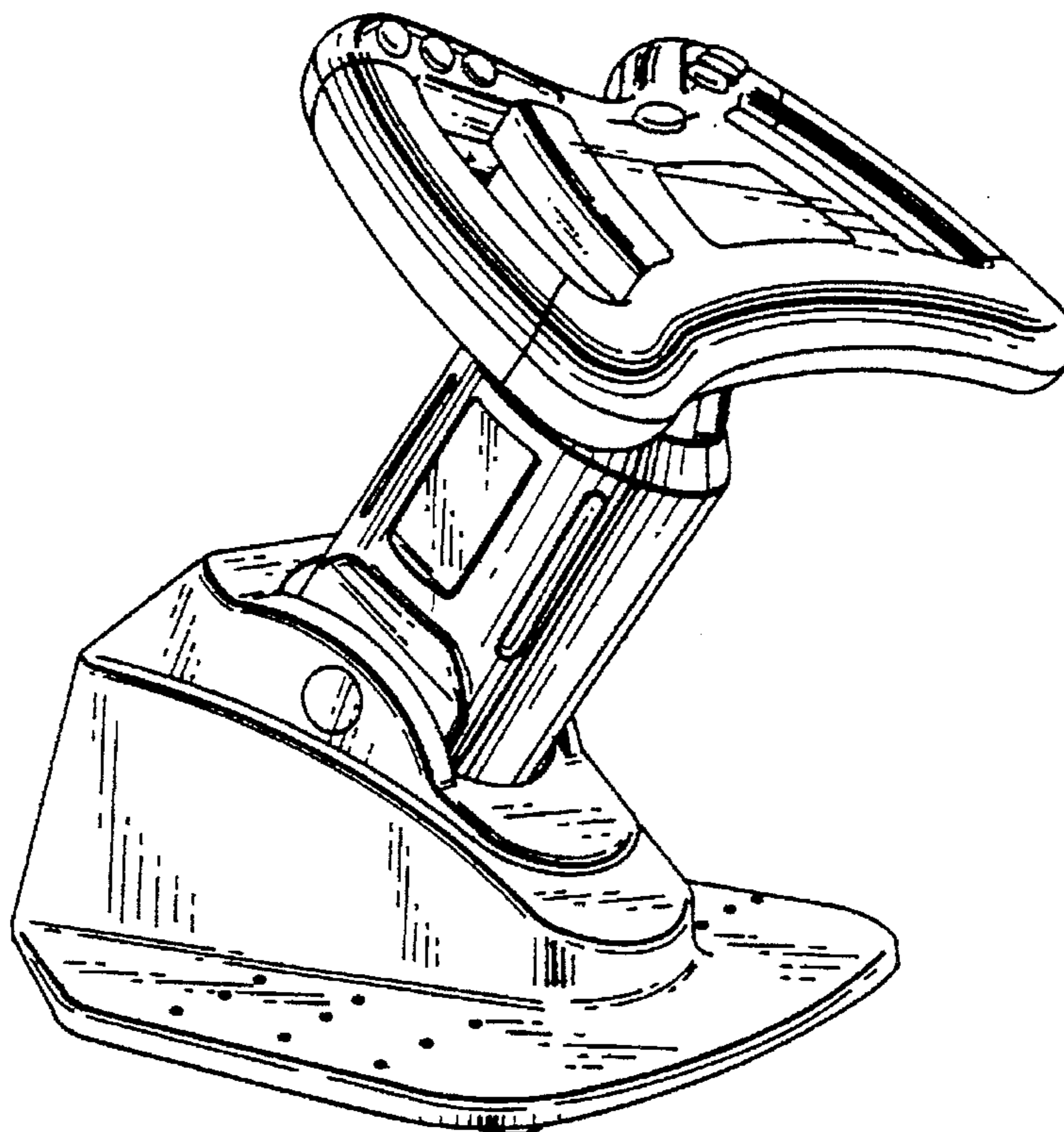


FIG. 1

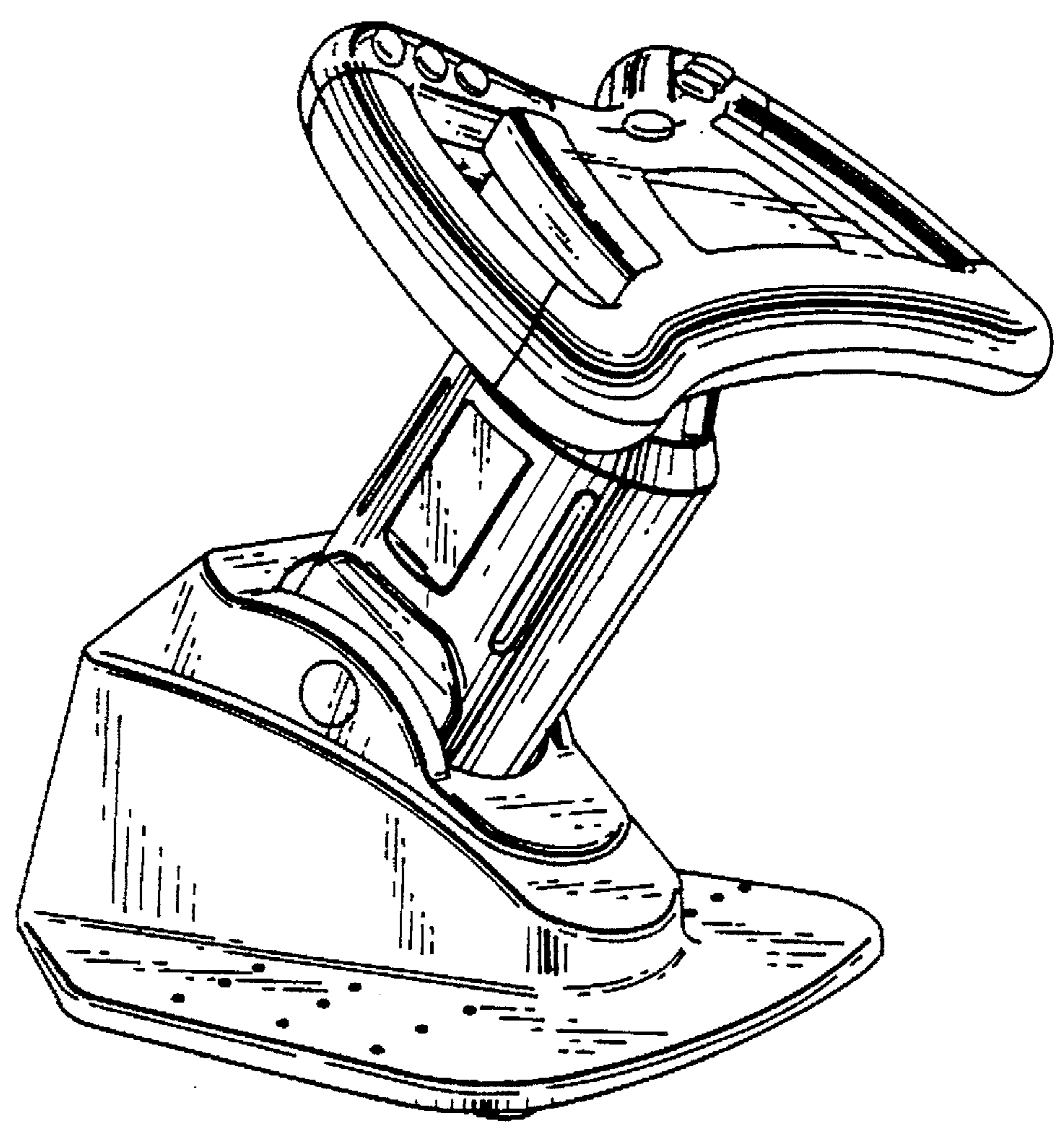


FIG. 2

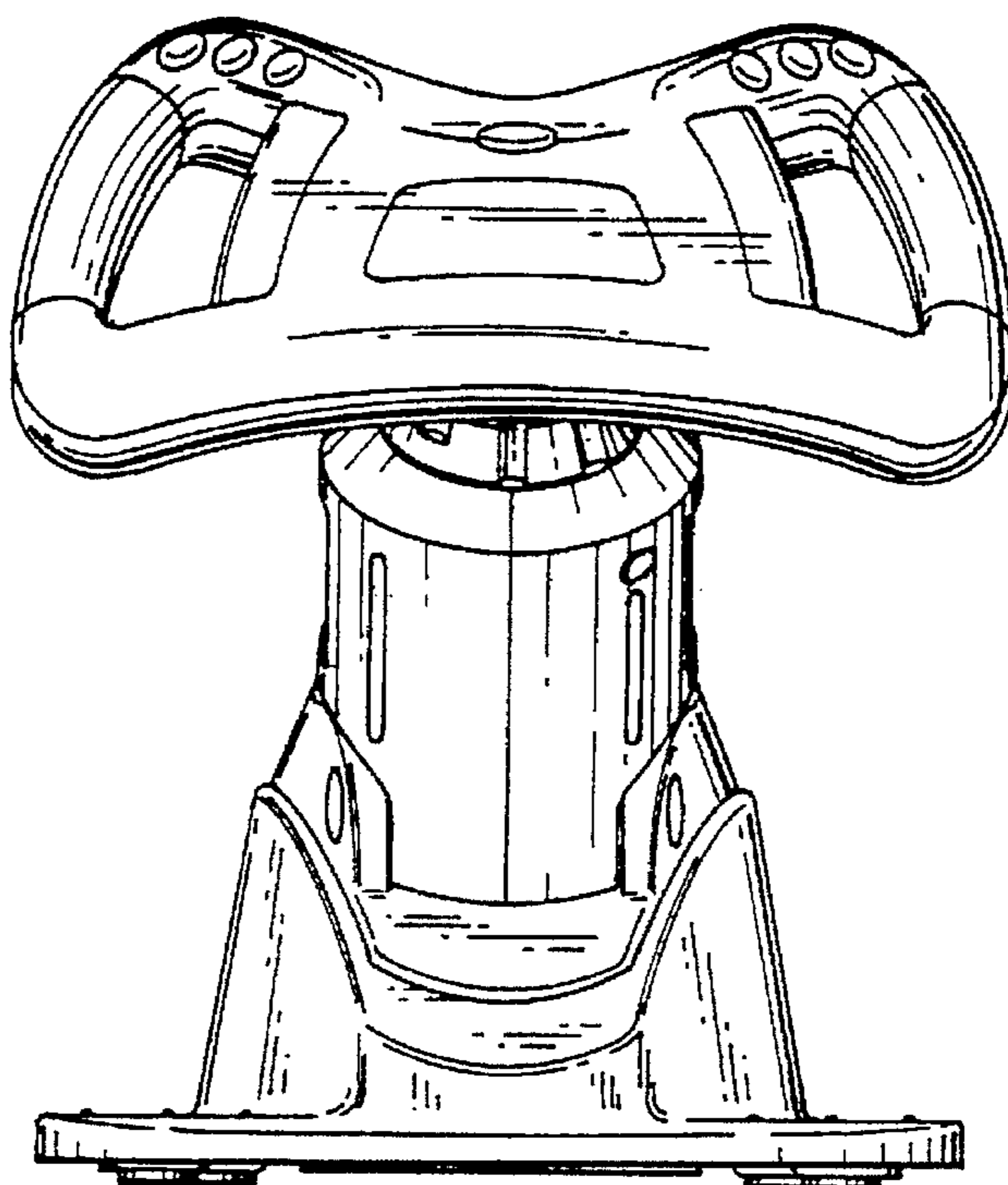


FIG. 3

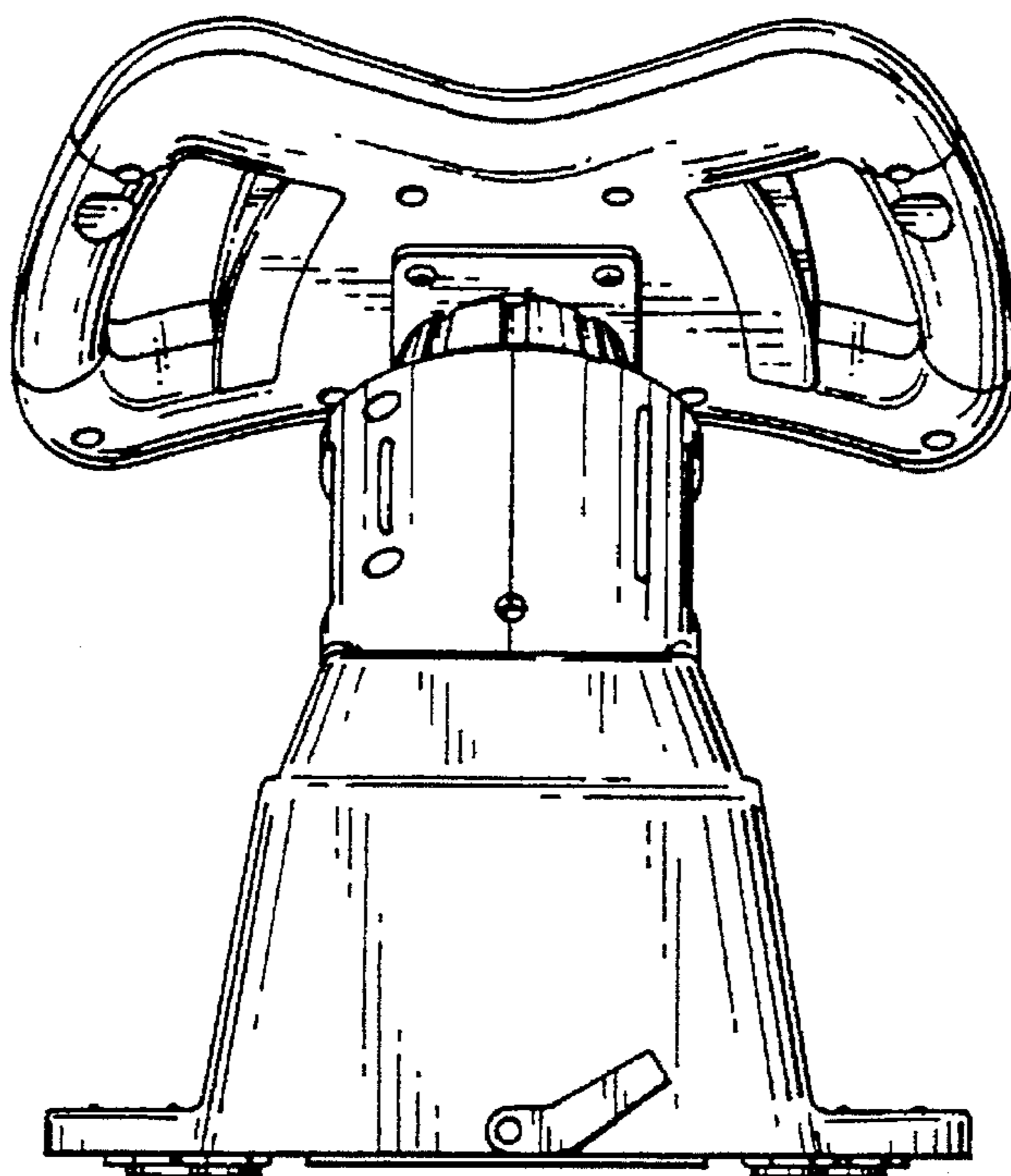


FIG. 4

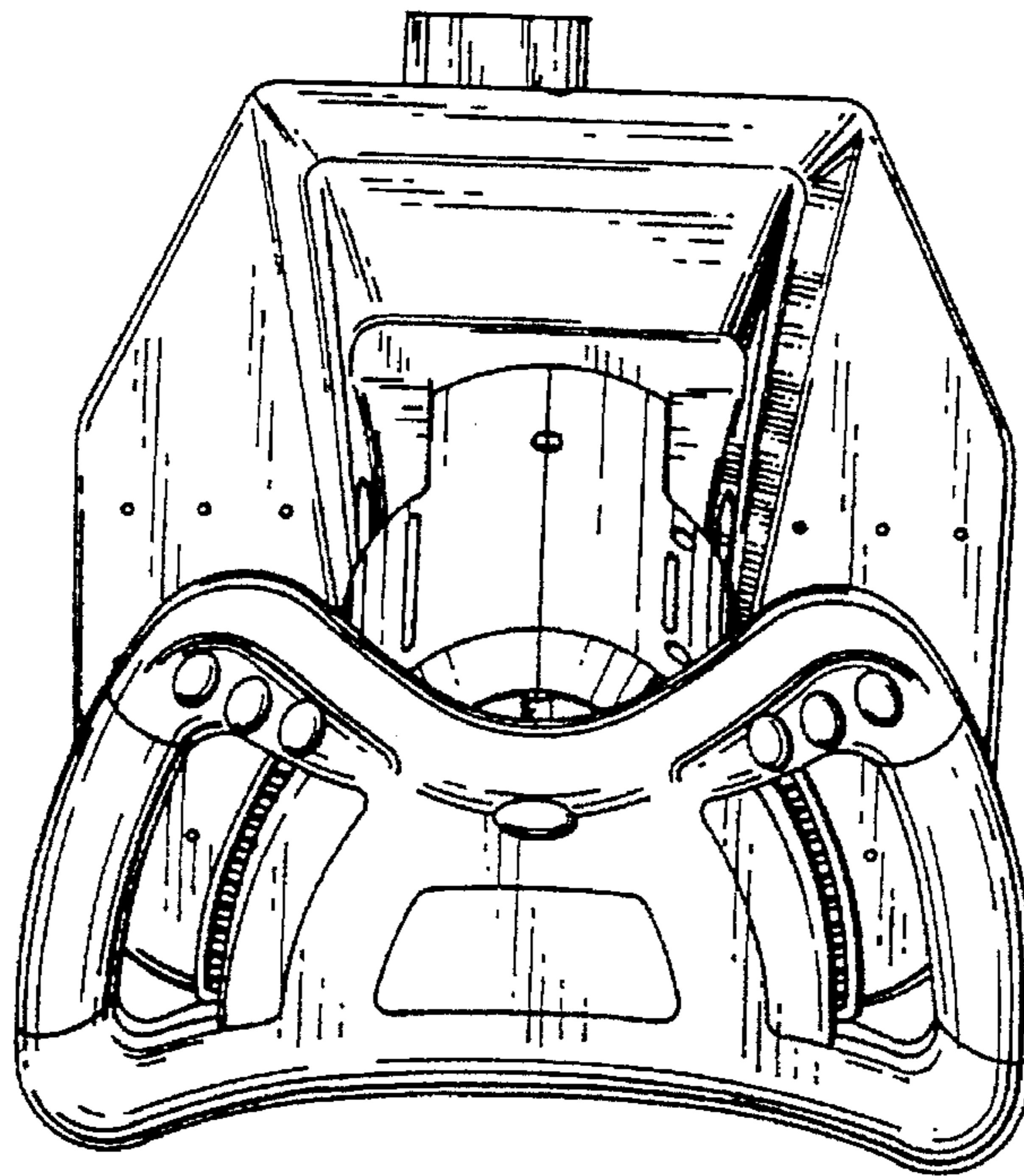


FIG. 5

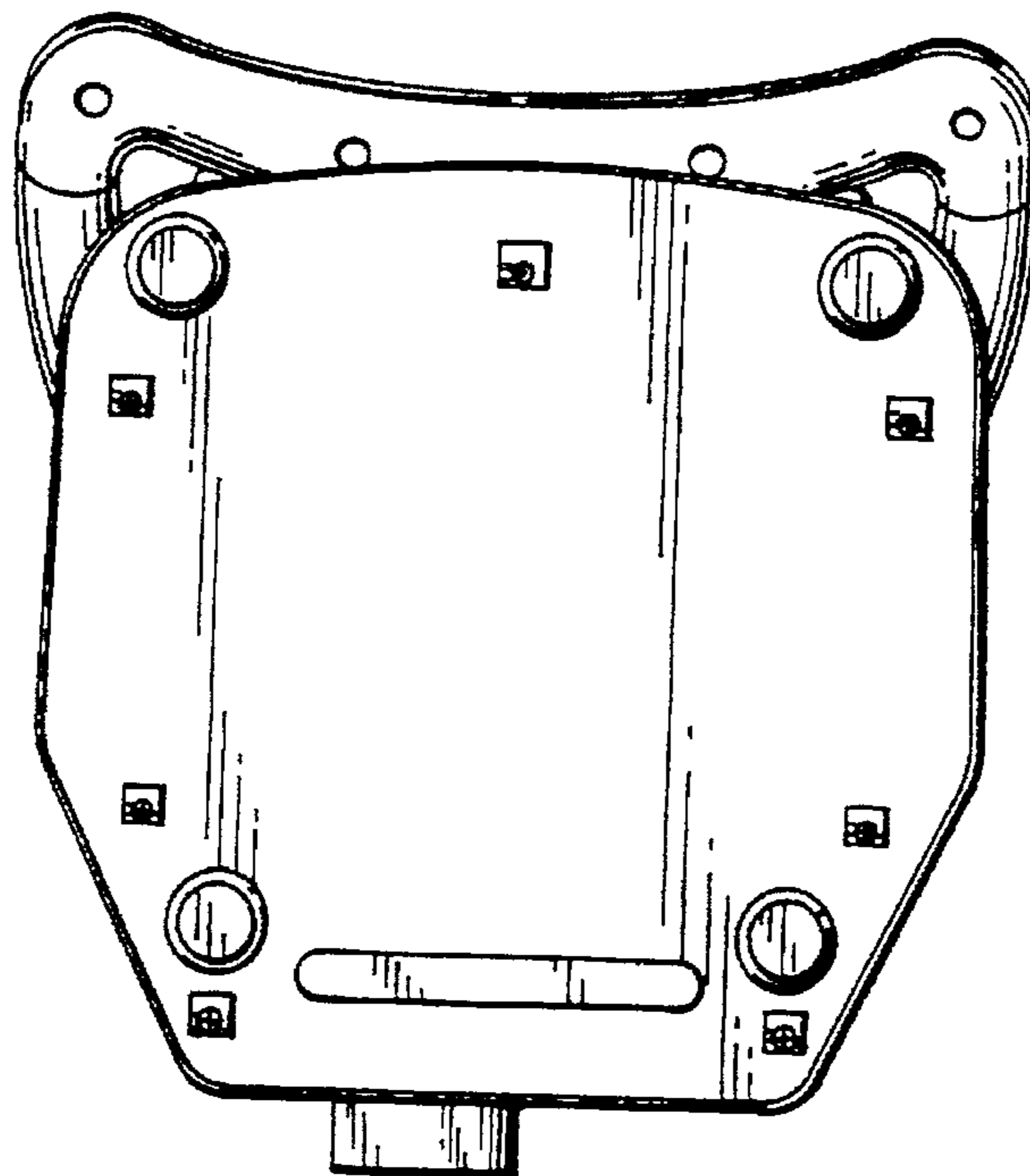


FIG. 6

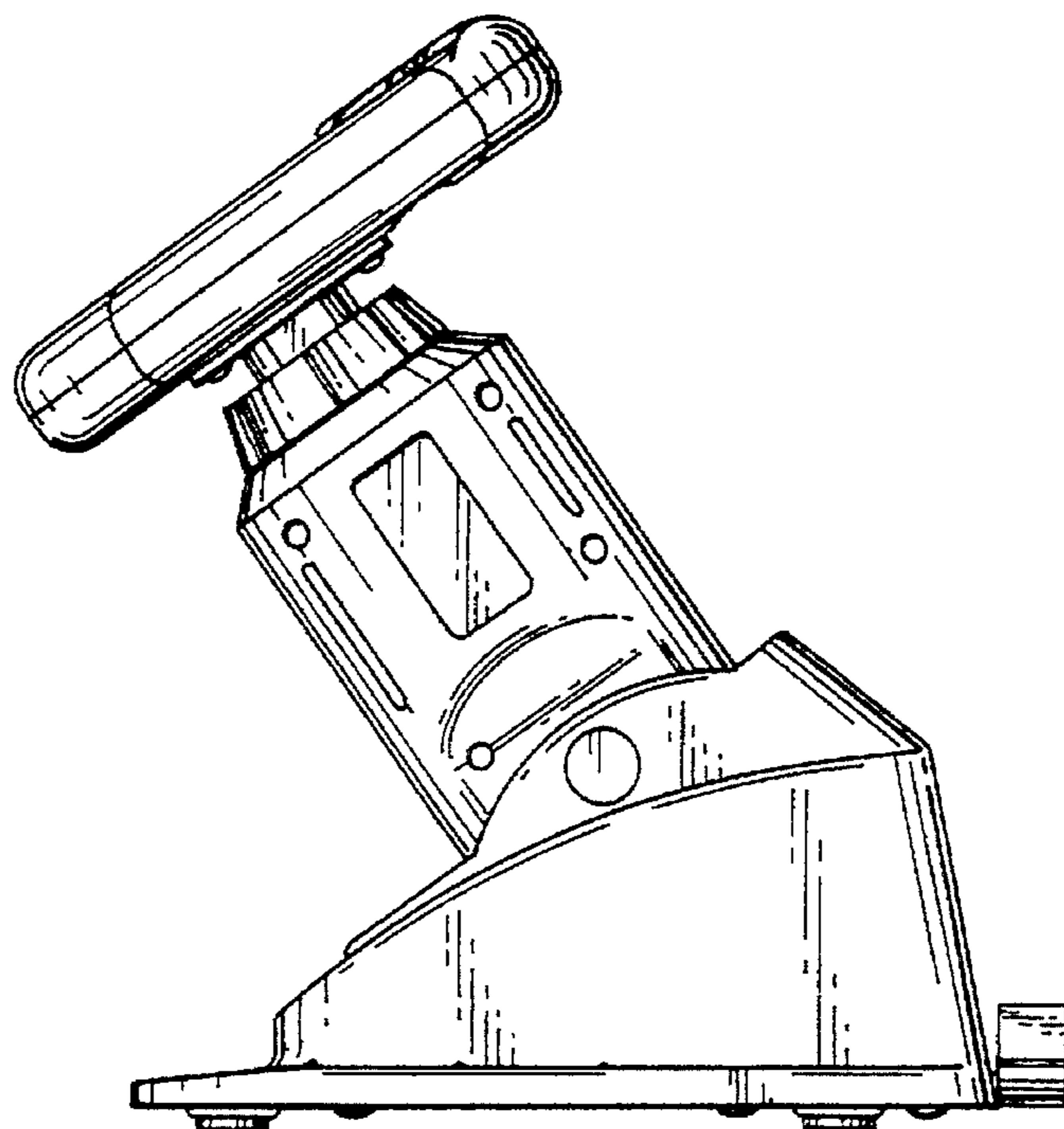


FIG. 7

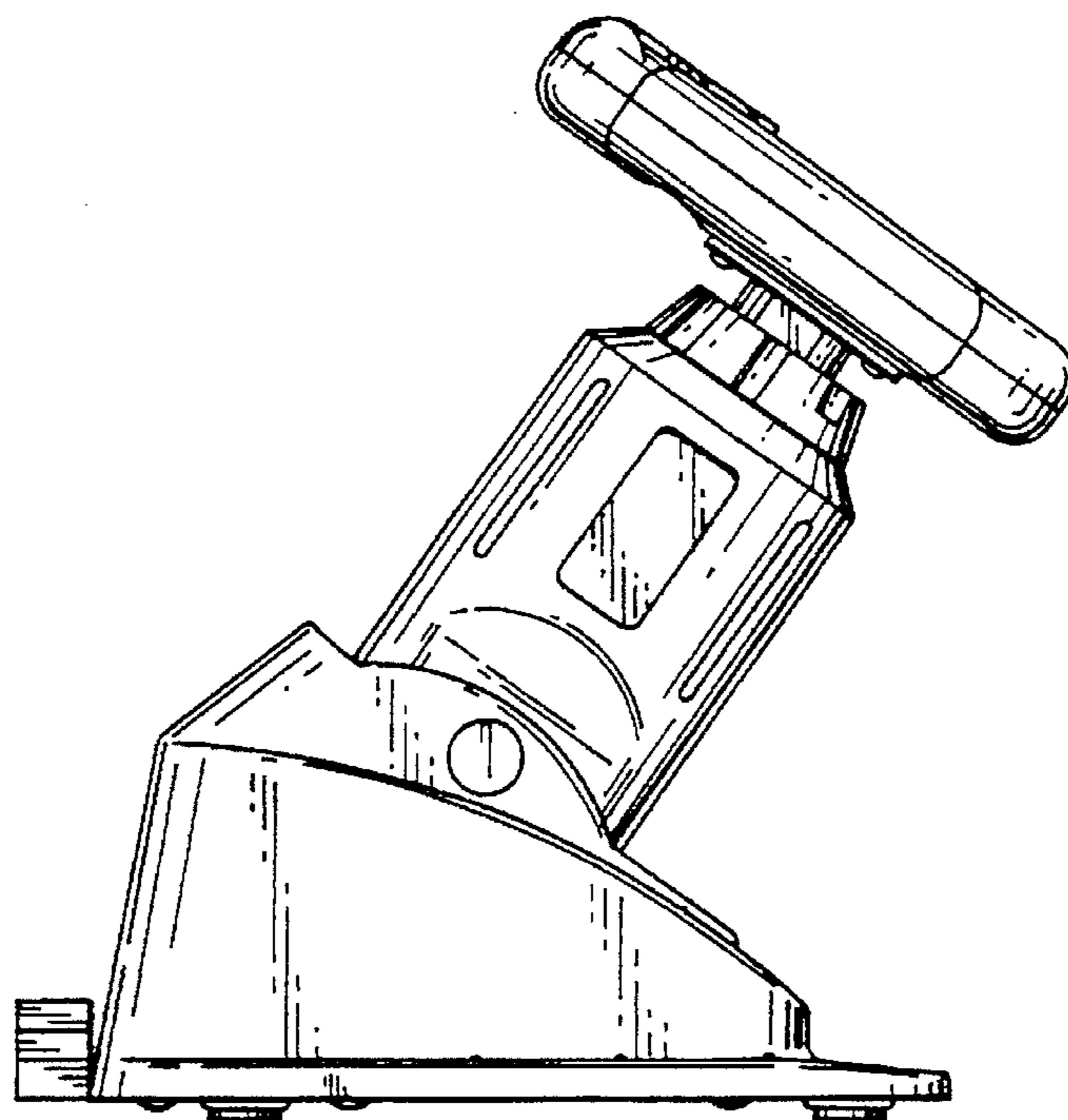


FIG. 8

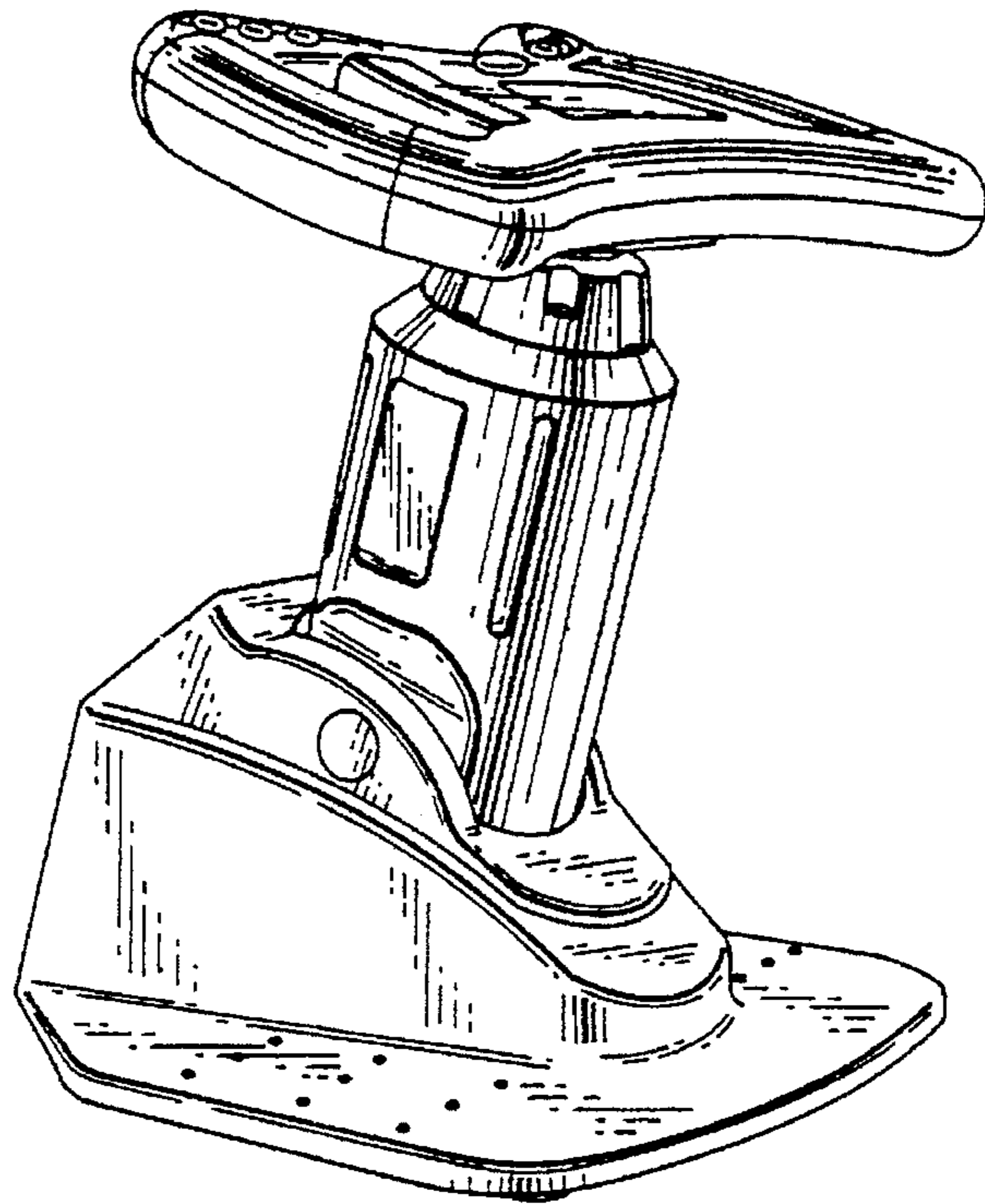


FIG. 9

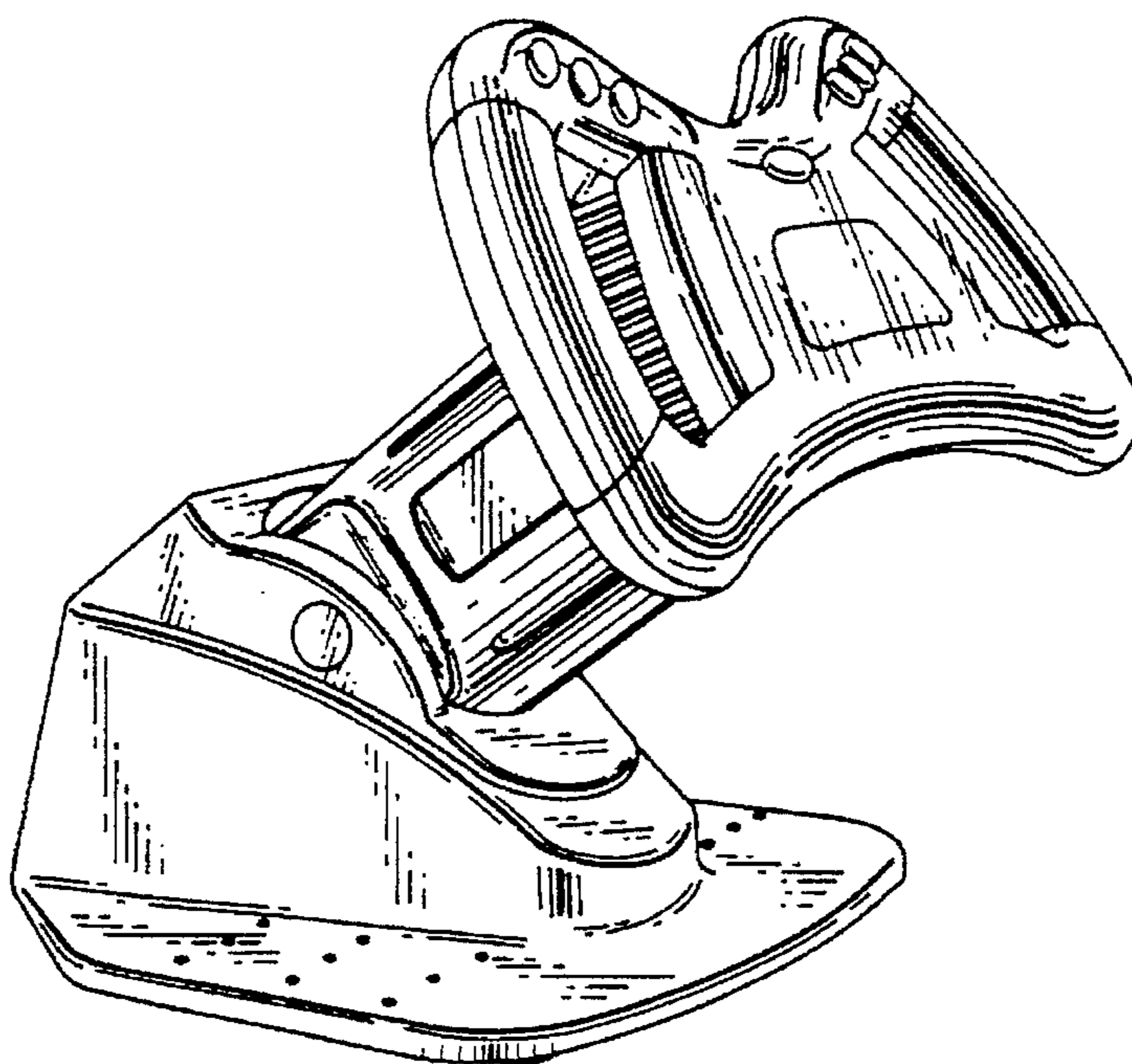


FIG. 10

