



US00D379197S

United States Patent [19]

Kawahara et al.

[11] Patent Number: **Des. 379,197**

[45] Date of Patent: ****May 13, 1997**

[54] **INK JET PRINTER**

D. 356,596 3/1995 Dubson et al. D18/55
D. 358,603 5/1995 Dodge et al. D18/55

[75] Inventors: **Manabu Kawahara; Takeo Kishida,**
both of Suwa, Japan

OTHER PUBLICATIONS

[73] Assignee: **Seiko Epson Corporation,** Tokyo-to,
Japan

Micro Center—The Computer Department Store Catalog; p.
21; Stylus 800 Inkjet Printer.
Hewlett Packard Technical Data Sheet Feb. 1990; HP Desk
Writer.

[**] Term: **14 Years**

Primary Examiner—Cathy Anne MacCormac
Attorney, Agent, or Firm—Strook & Stroock & Lavan

[21] Appl. No.: **50,225**

[22] Filed: **Feb. 12, 1996**

[57] **CLAIM**

[30] **Foreign Application Priority Data**

Aug. 17, 1995 [JP] Japan 7-23906

The ornamental design for an ink jet printer, as shown and
described.

[51] **LOC (6) Cl.** **18-02**

DESCRIPTION

[52] **U.S. Cl.** **D18/55**

[58] **Field of Search** D18/50, 54-55;
400/613, 613.1-613.4, 691-694, 690.1-690.4

FIG. 1 is a front perspective view of an ink jet printer
showing our new design;
FIG. 2 is a front view thereof;
FIG. 3 is a right side view thereof;
FIG. 4 is a left side view thereof;
FIG. 5 is a top plan view thereof;
FIG. 6 is a rear view thereof; and,
FIG. 7 is a bottom view thereof.

[56] **References Cited**

U.S. PATENT DOCUMENTS

D. 322,451 12/1991 McClelland et al. D18/55
D. 333,153 2/1993 Uchibari et al. D18/55
D. 335,894 5/1993 Nishikaze et al. D18/55
D. 354,981 1/1995 Kobayashi et al. D18/54

1 Claim, 3 Drawing Sheets

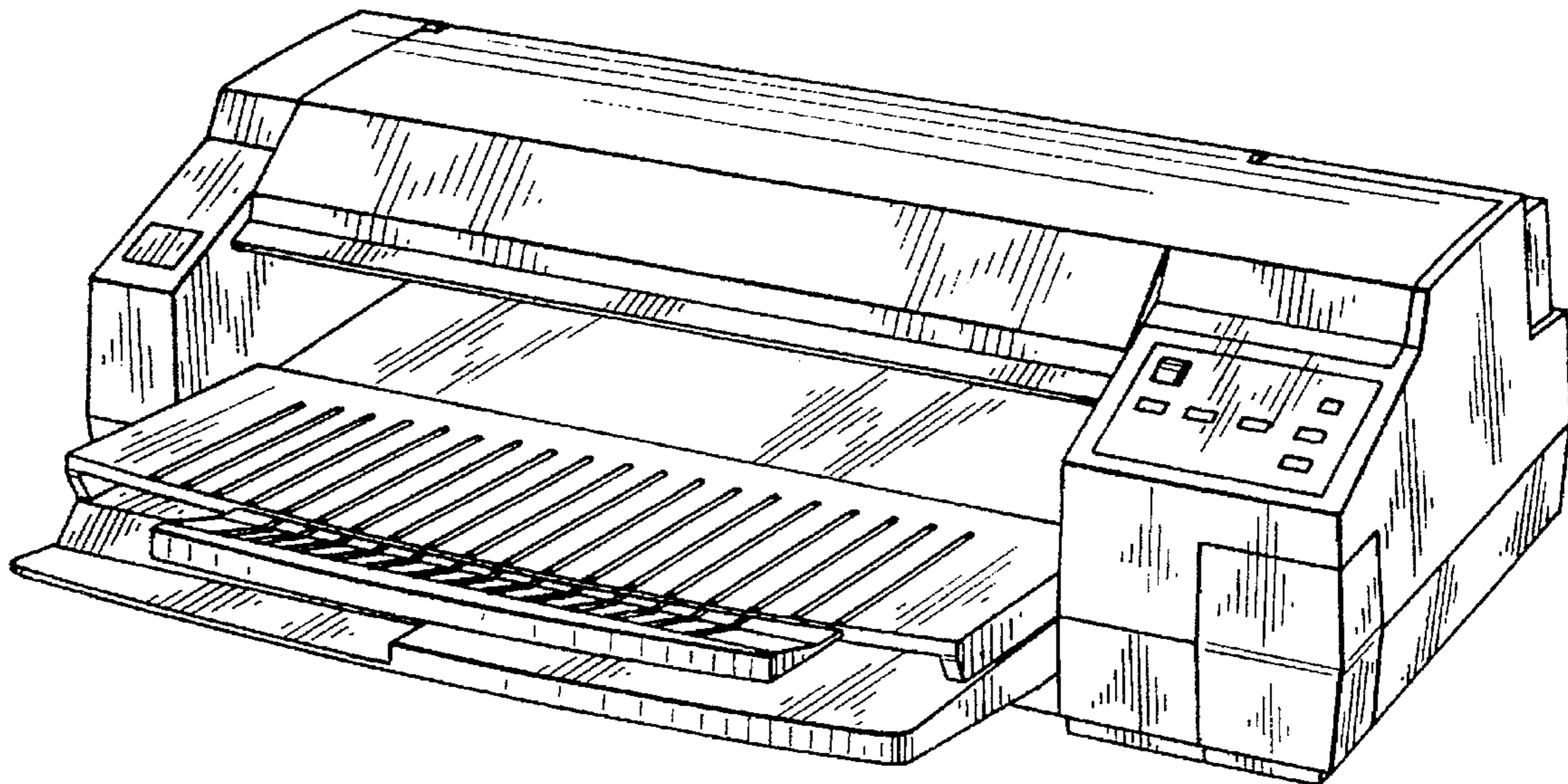


FIG. 1

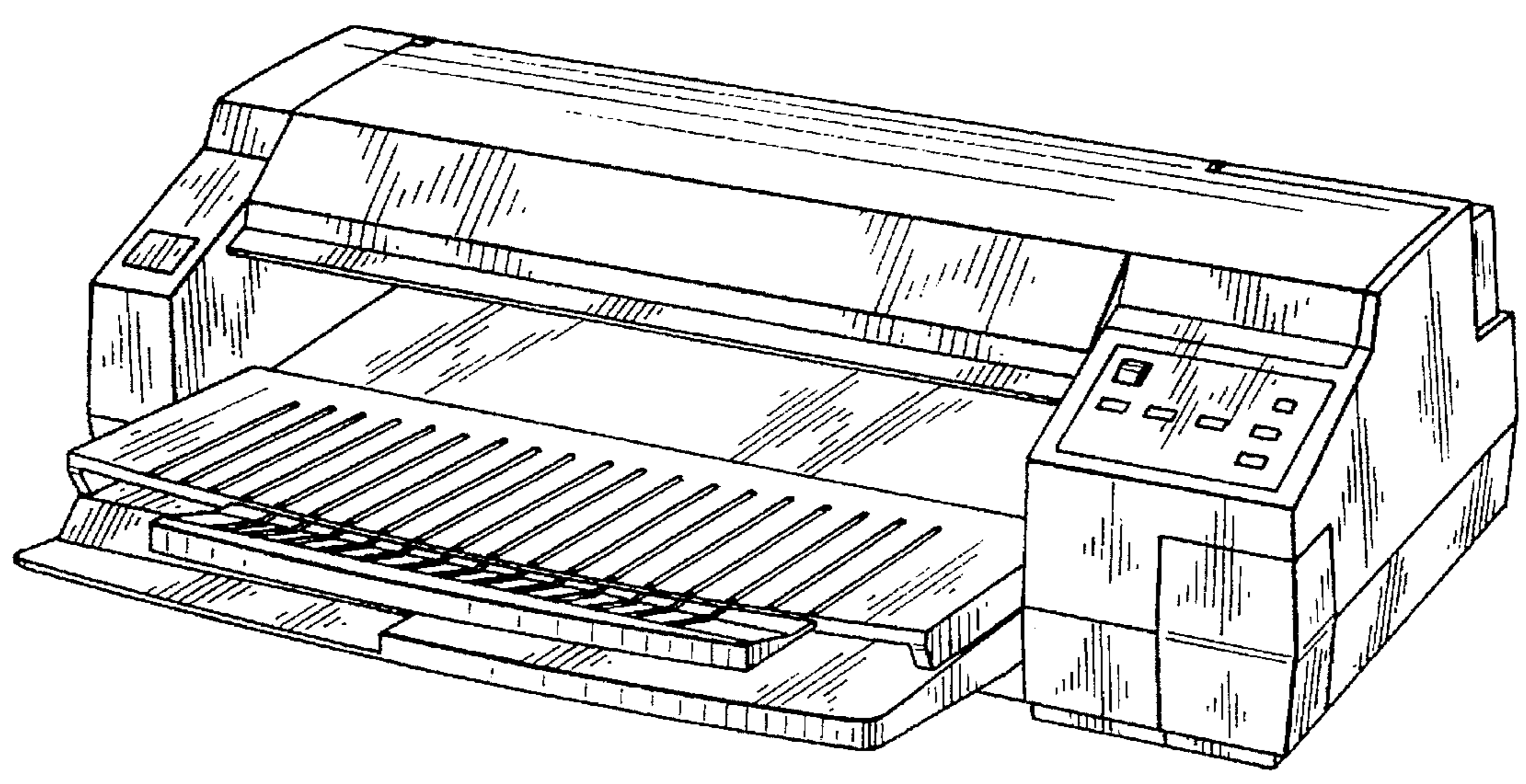


FIG. 2

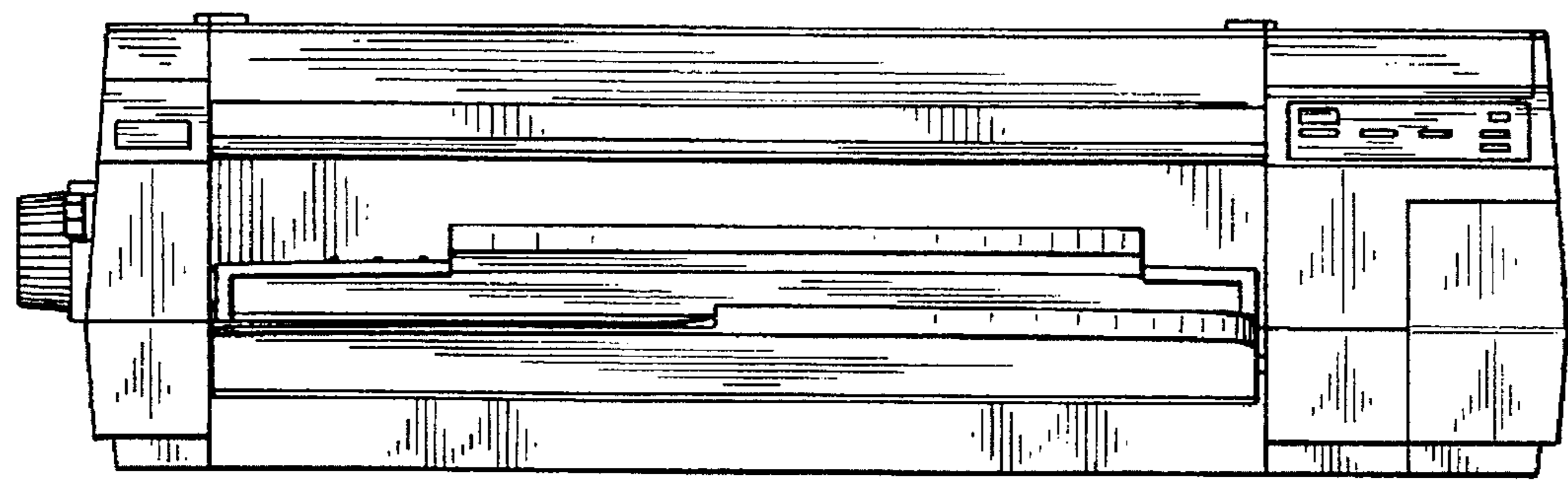


FIG. 3

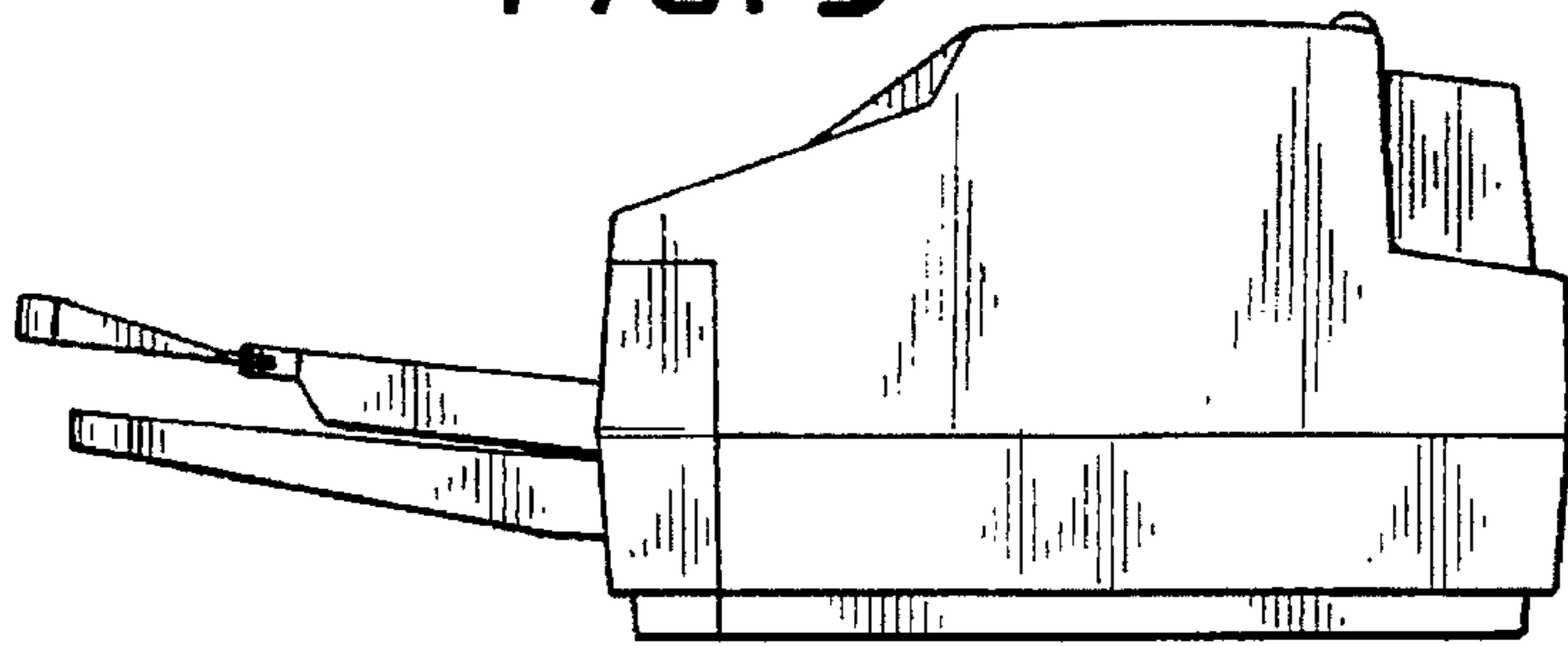


FIG. 4

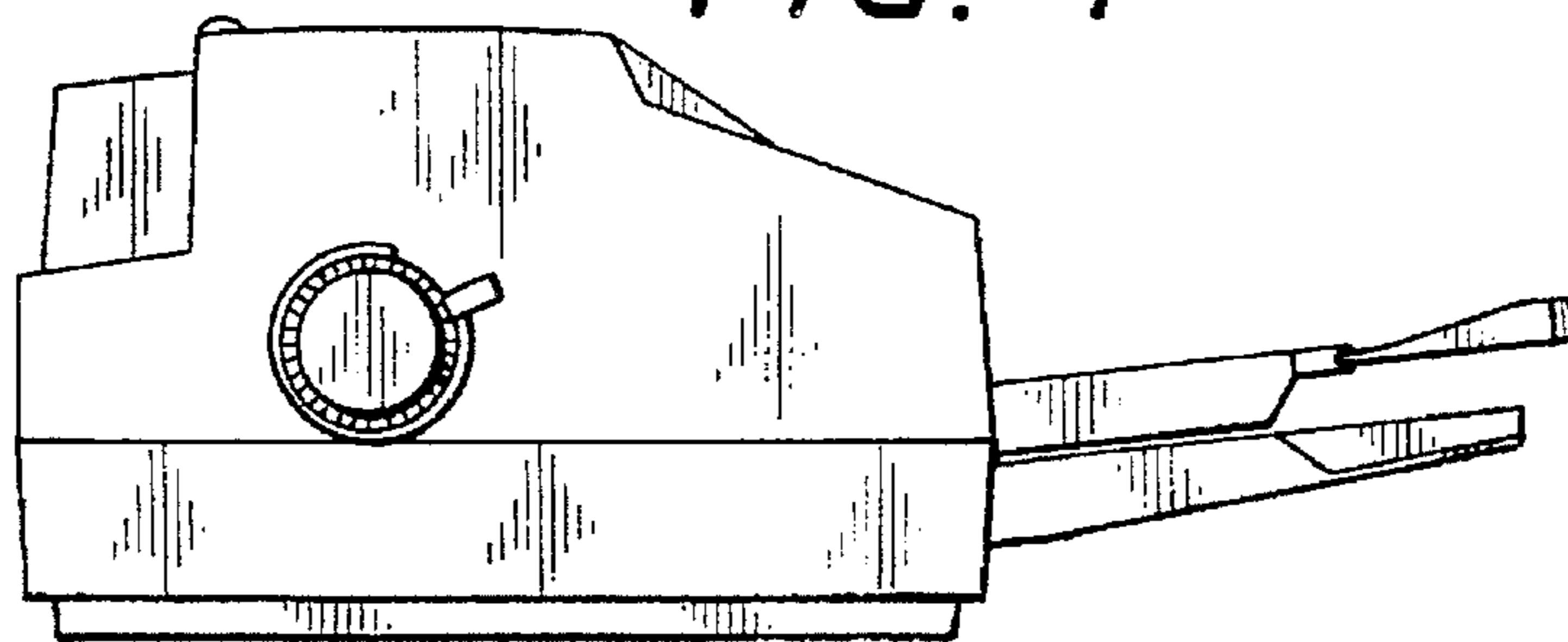


FIG. 5

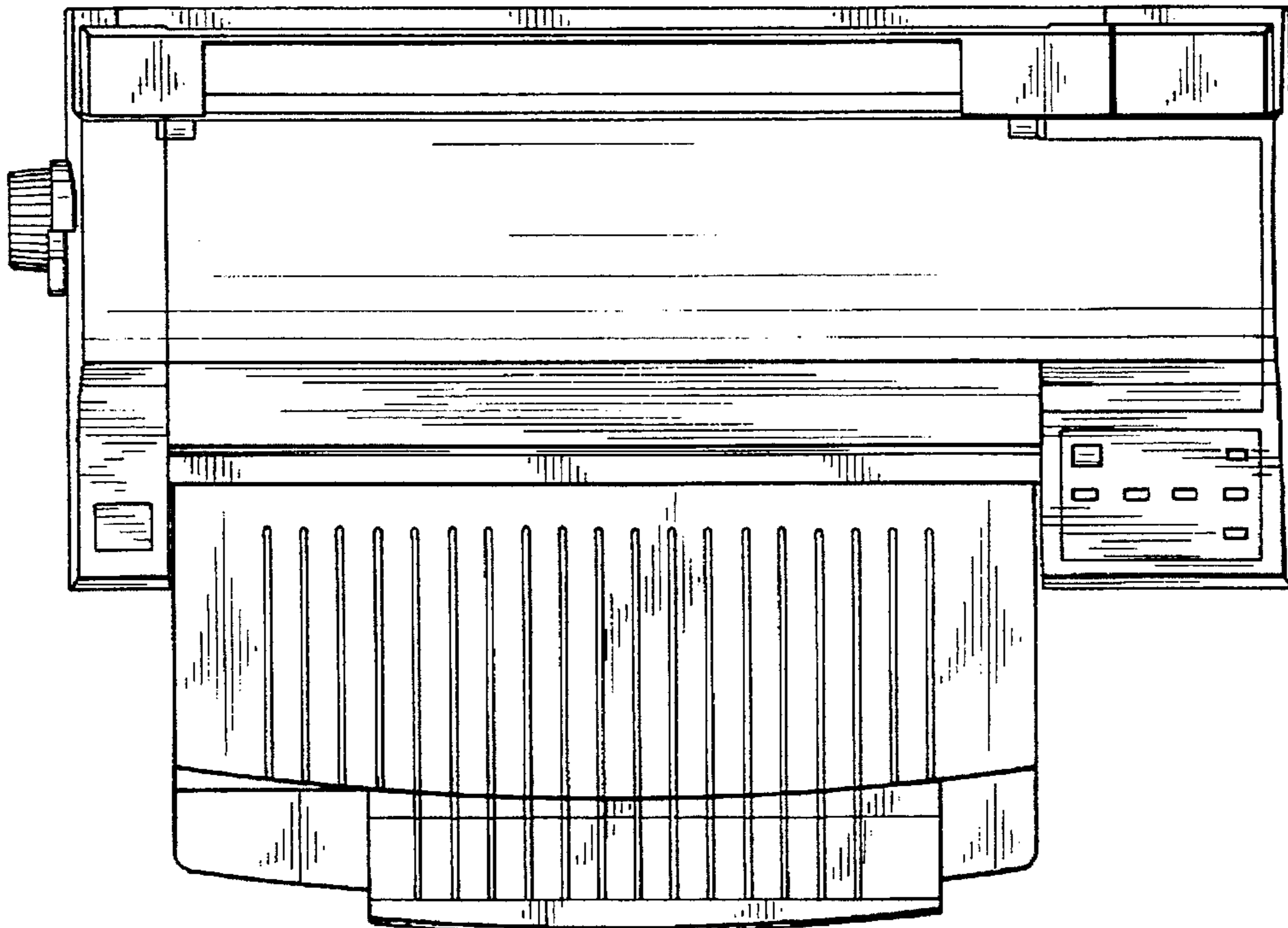


FIG. 6

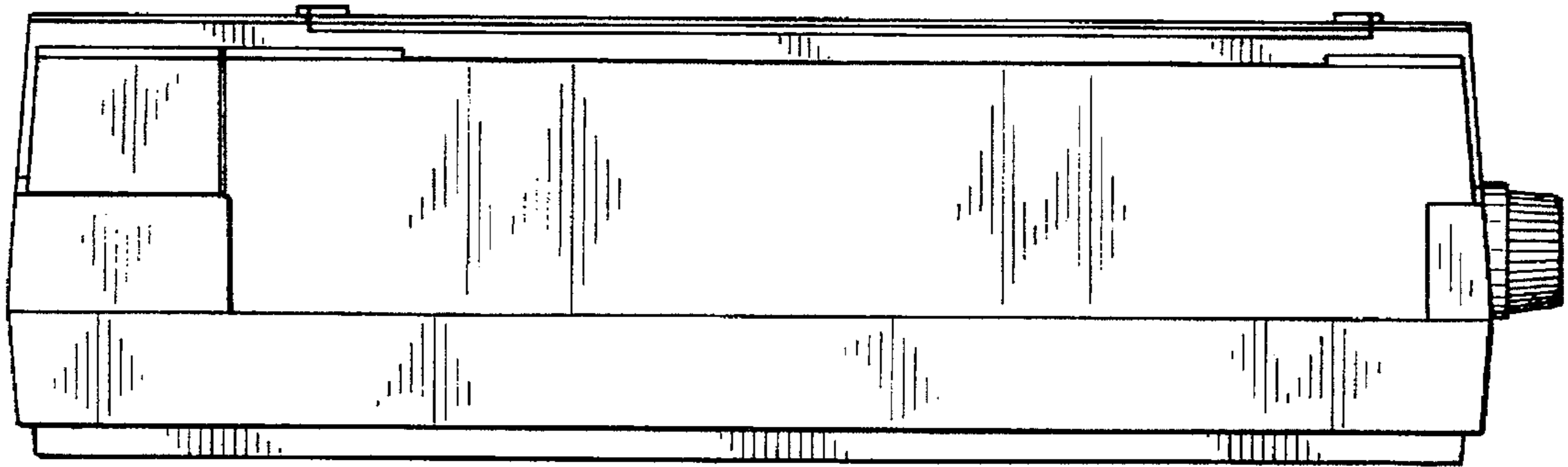


FIG. 7

