



US00D379194S

# United States Patent [19]

Sundquist et al.

[11] Patent Number: **Des. 379,194**

[45] Date of Patent: **\*\*May 13, 1997**

[54] **SUPPLY ACCESSORY FOR A PRINTING OR COPYING MACHINE**

[75] Inventors: **John D. Sundquist**, Clarksville, Va.;  
**Daniel C. Miller**, Fairport; **Venkat K. Iyer**, Webster, both of N.Y.

[73] Assignee: **Xerox Corporation**, Stamford, Conn.

[\*\*] Term: **14 Years**

[21] Appl. No.: **45,747**

[22] Filed: **Oct. 27, 1995**

### Related U.S. Application Data

[63] Continuation-in-part of Ser. No. 23,963, Jun. 6, 1994, abandoned.

[51] **LOC (6) Cl.** ..... **16-03**

[52] **U.S. Cl.** ..... **D18/43; D18/40; D18/56**

[58] **Field of Search** ..... **D18/36, 40, 43, D18/22; 118/653, 657; 141/1; 222/DIG. 1, 166, 240, 325, 541; 355/200, 245, 260**

### [56] References Cited

#### U.S. PATENT DOCUMENTS

D. 236,694 9/1975 Avolio ..... D18/43

D. 240,201	6/1976	Avolio .....	D18/43
D. 252,557	8/1979	Walker et al. ....	D18/43
D. 348,689	7/1994	Kikuchi et al. ....	D18/43
D. 356,107	3/1995	Watanabe et al. ....	D18/40 X
4,850,303	7/1989	Cipolla et al. ....	D18/43 X

*Primary Examiner*—Nelson C. Holtje  
*Assistant Examiner*—Caron D. Veynar

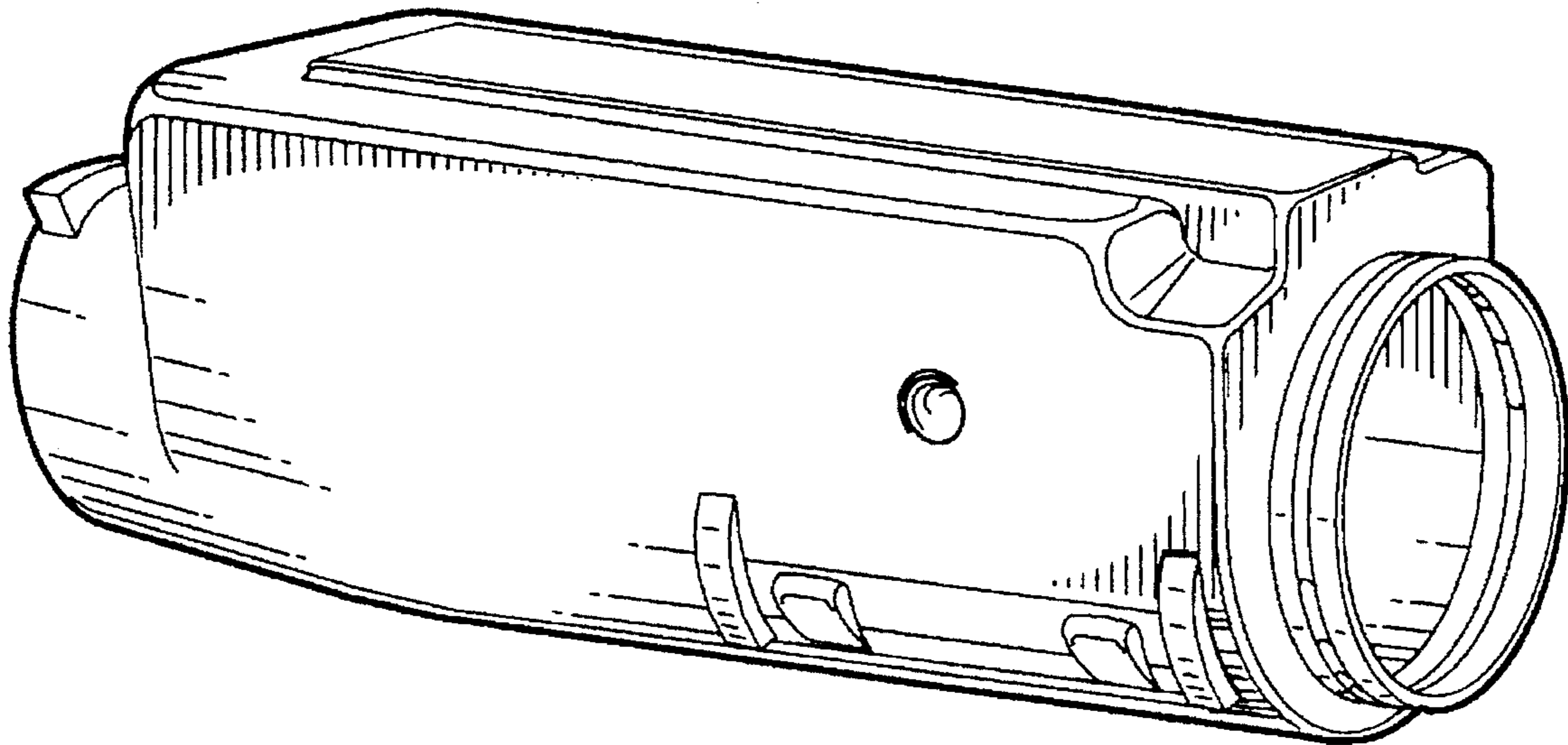
### [57] CLAIM

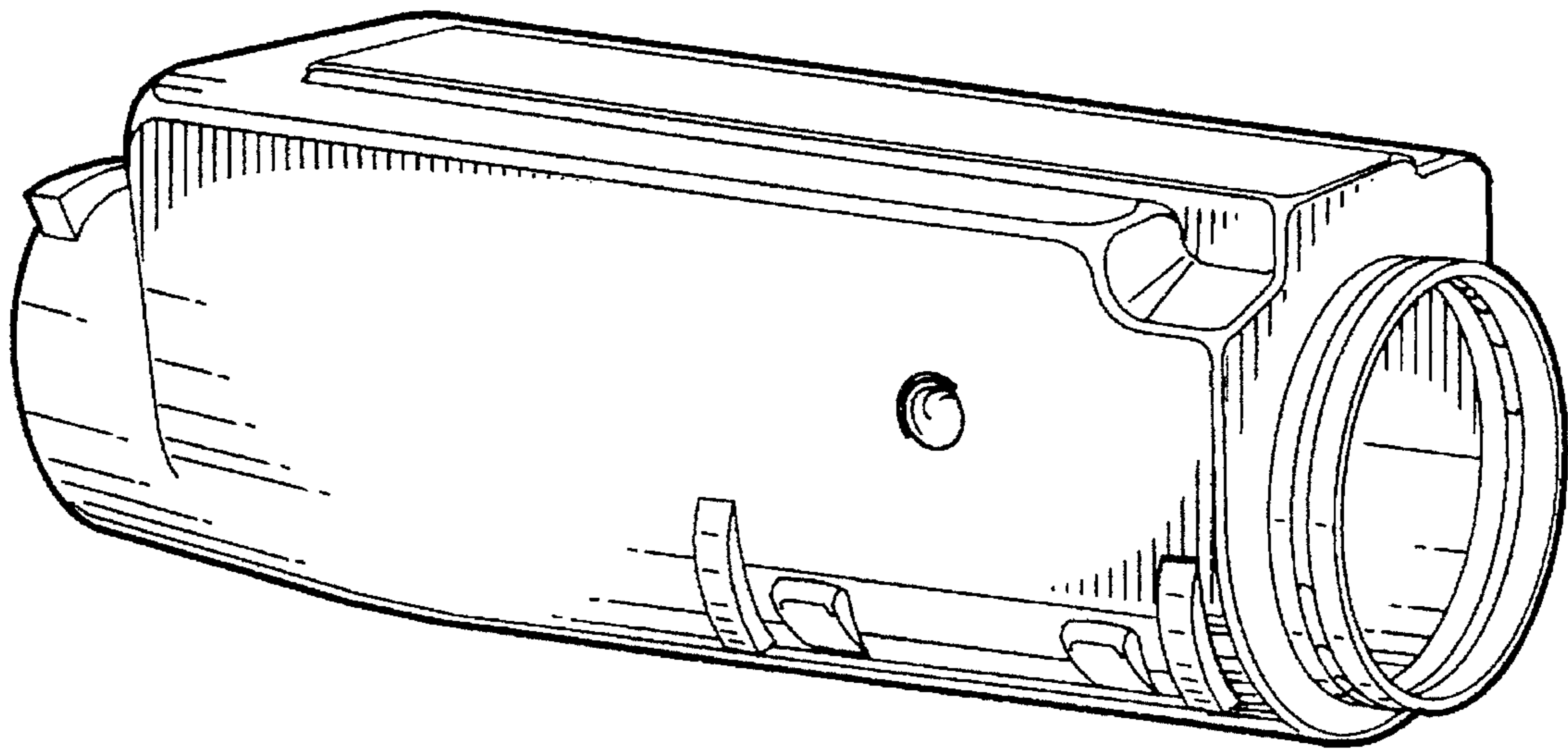
The ornamental design for a supply accessory for a printing or copying machine, as shown and described.

### DESCRIPTION

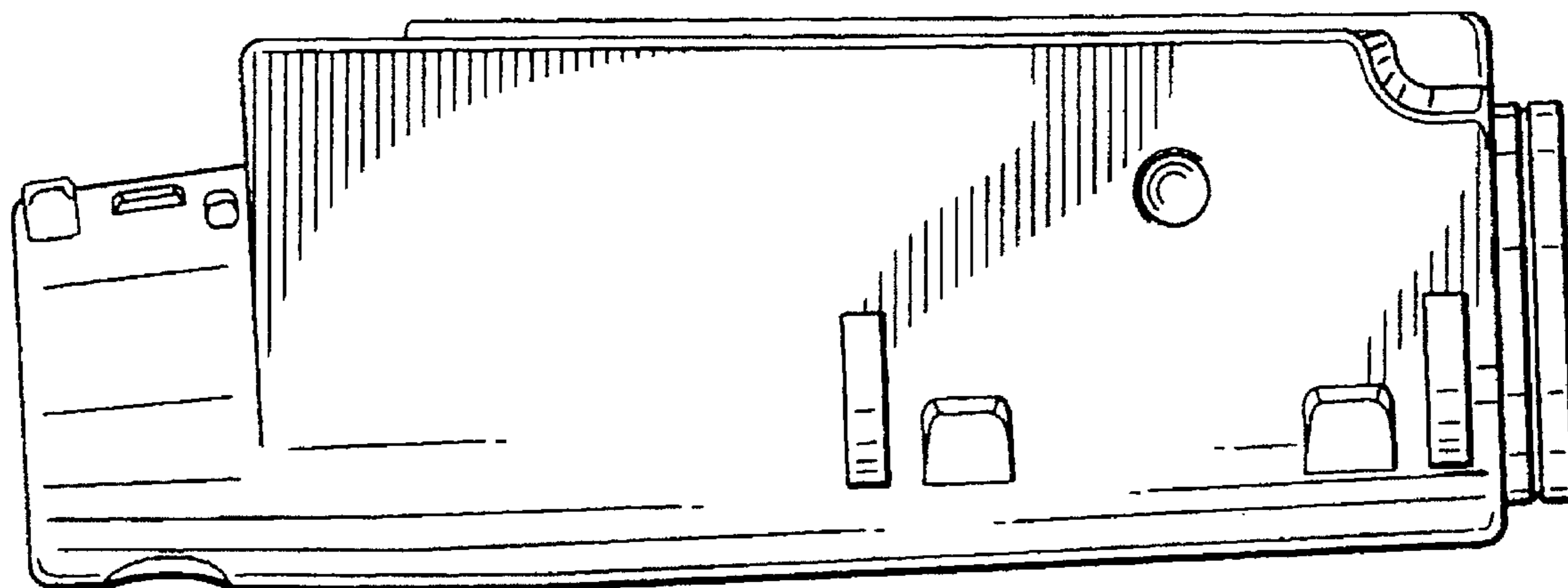
FIG. 1 is a perspective view of a supply accessory for a printing or copying machine showing our new design; FIG. 2 is an elevational view of the supply accessory; FIG. 3 is one side elevational view of the supply accessory; FIG. 4 is another elevational view of the supply accessory; FIG. 5 is another side elevational view of the supply accessory; FIG. 6 is one plan view of the supply accessory; and, FIG. 7 is another plan view of the supply accessory.

**1 Claim, 4 Drawing Sheets**

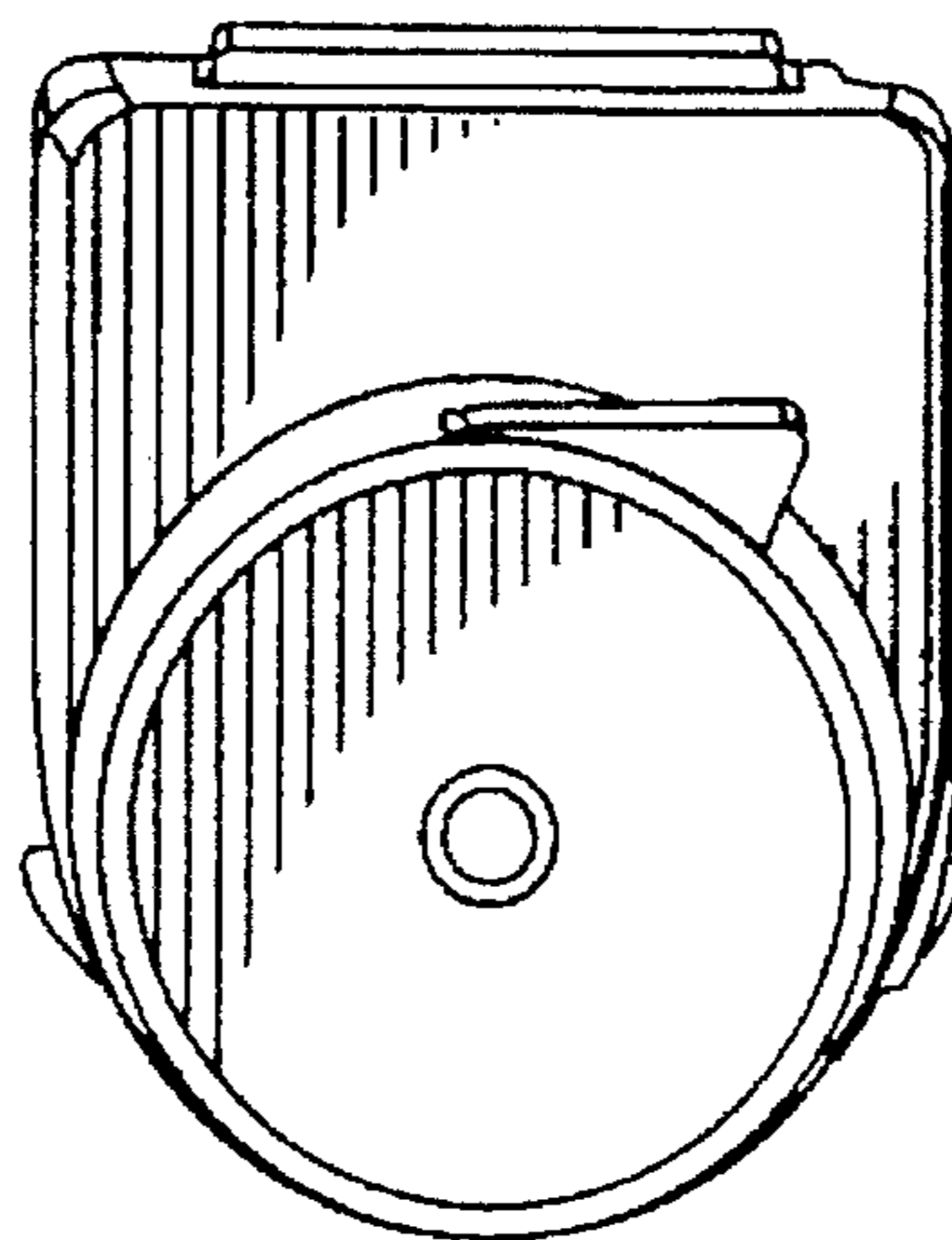




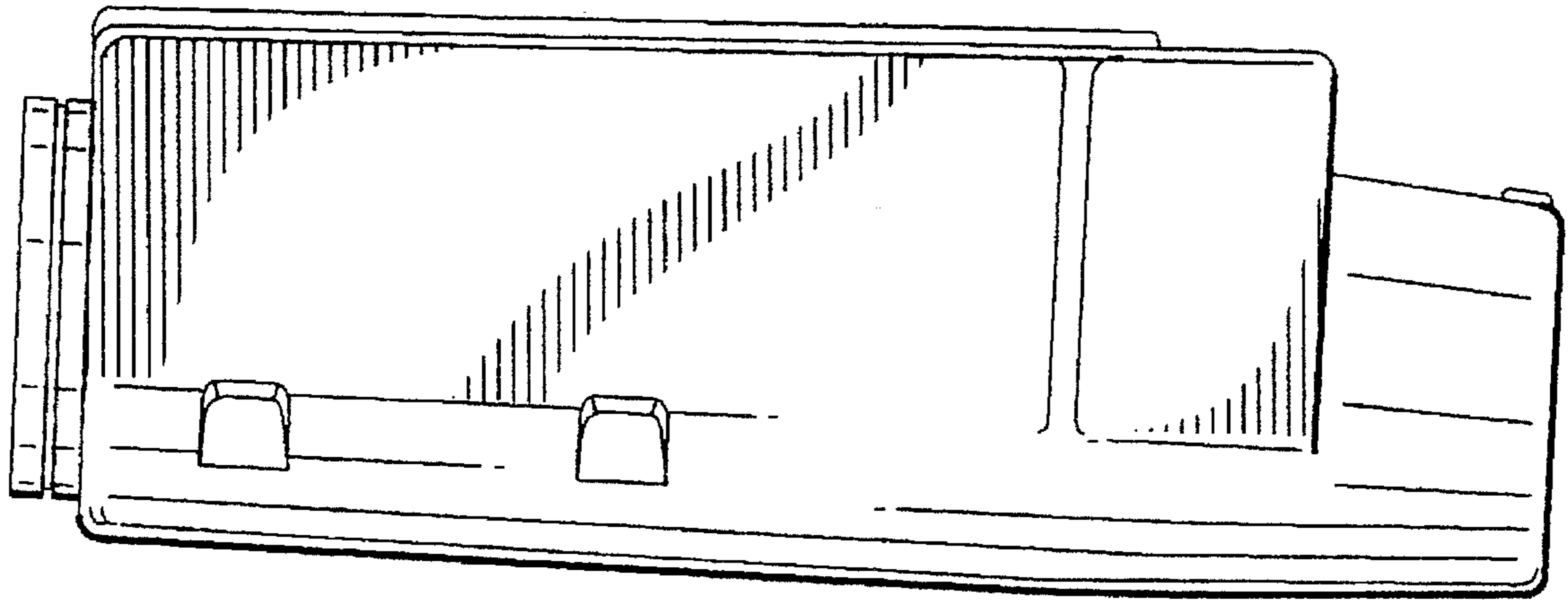
**FIG. 1**



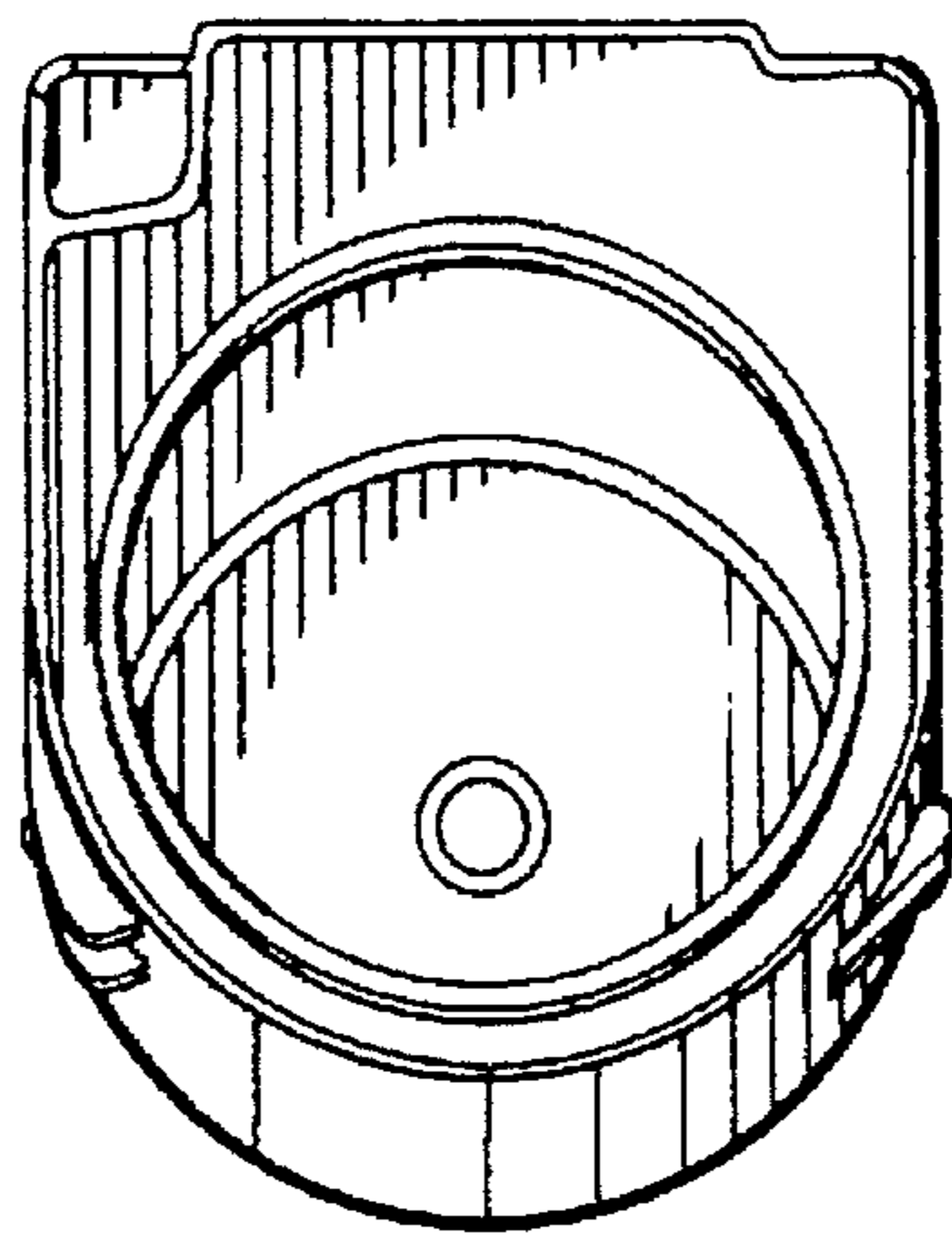
**FIG. 2**



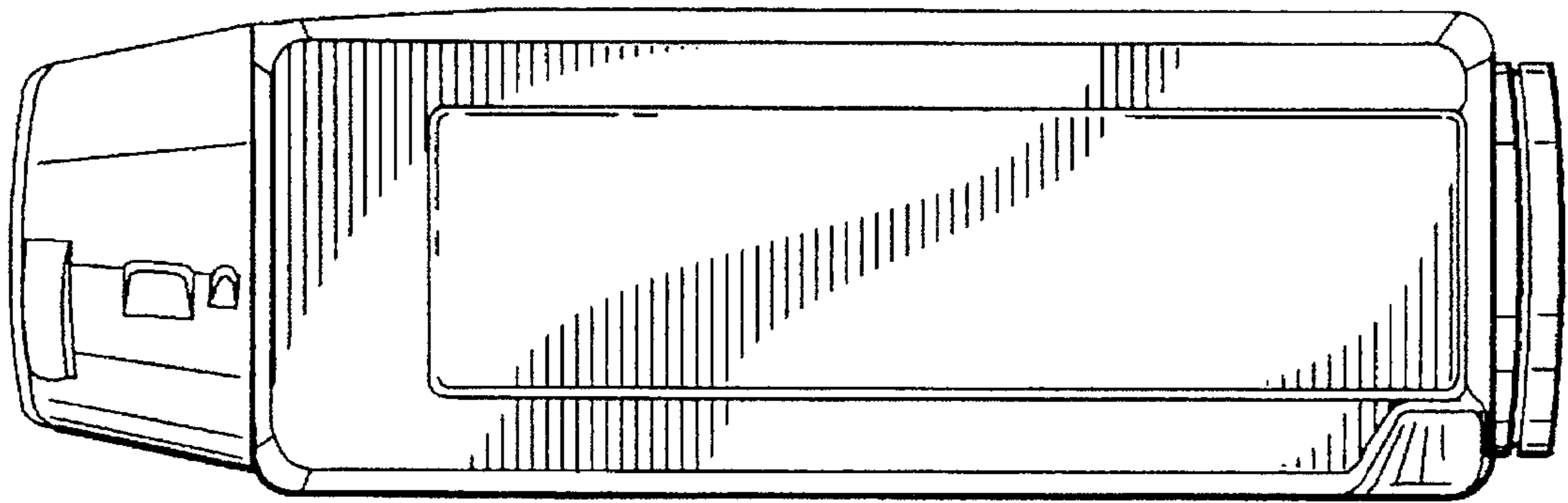
**FIG. 3**



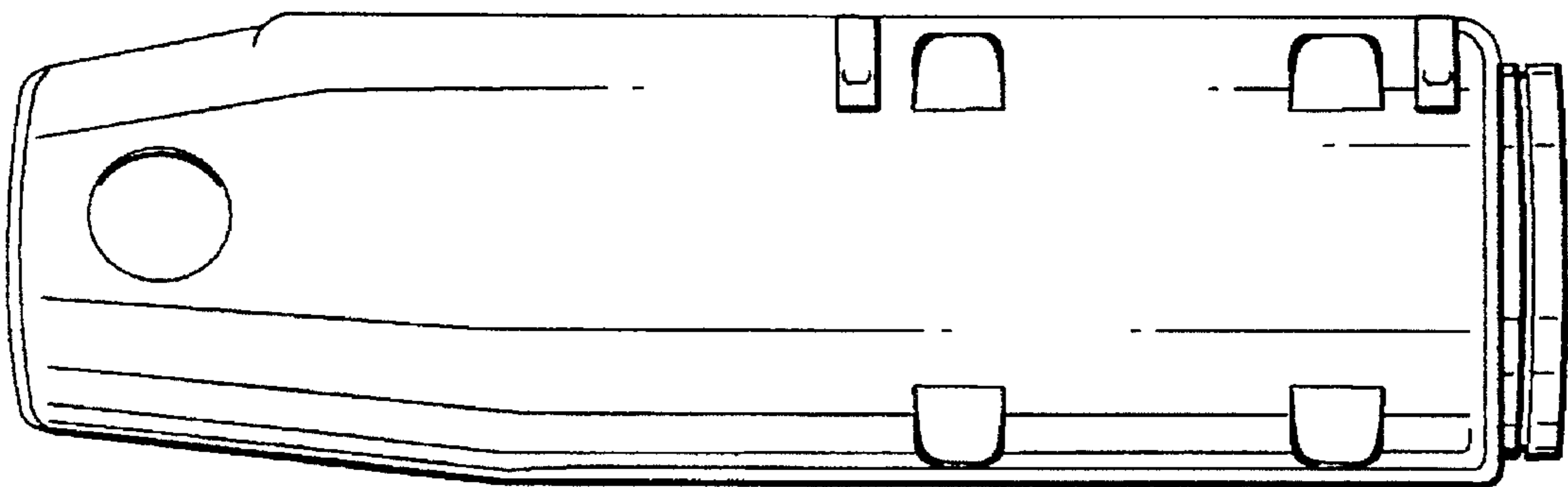
**FIG. 4**



**FIG. 5**



**FIG. 6**



**FIG. 7**