



US00D379193S

United States Patent [19] Cornell

[11] Patent Number: **Des. 379,193**

[45] Date of Patent: ****May 13, 1997**

[54] PAPER TRIMMER

4,951,539 8/1990 Buckner 83/884

5,069,097 12/1991 Mori .

5,322,001 6/1994 Boda 83/455 X

[75] Inventor: **Robert W. Cornell**, Schofield, Wis.

[73] Assignee: **Fiskars Inc.**, Madison, Wis.

[**] Term: **14 Years**

Primary Examiner—Louis S. Zarfes

Assistant Examiner—Frank Martinez

Attorney, Agent, or Firm—Foley & Lardner

[21] Appl. No.: **45,121**

[22] Filed: **Oct. 10, 1995**

[51] LOC (6) Cl. **18-04**

[52] U.S. Cl. **D18/34**

[58] Field of Search D18/34; D15/127;
83/863, 872, 884, 758, 455, 454, 472, 483,
485, 508, 940

[57] CLAIM

The ornamental design for the paper trimmer, as shown and described.

DESCRIPTION

FIG. 1 is a perspective view of a paper trimmer showing my new design in the lowered position;

FIG. 2 is a top plan view thereof;

FIG. 3 is a right side elevational view thereof;

FIG. 4 is a front elevational view thereof, the rear view being a mirror image thereof;

FIG. 5 is a bottom plan view thereof;

FIG. 6 is a left side elevational view thereof; and,

FIG. 7 is a perspective view of the paper trimmer showing my new design in the raised position.

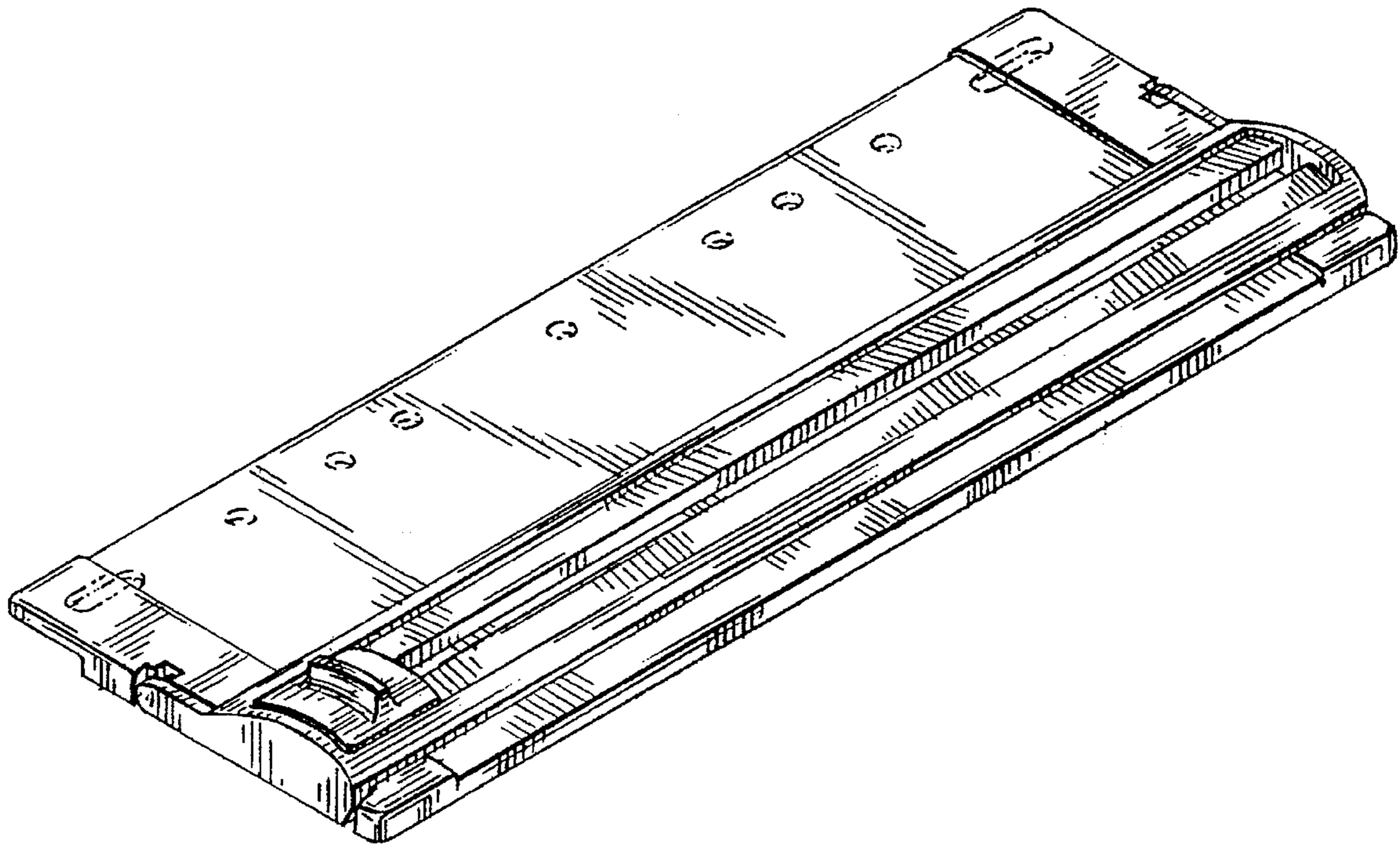
The broken line showing of the apertures formed in the base of my new design is for illustrative purposes only and forms no part of the claimed design.

[56] References Cited

U.S. PATENT DOCUMENTS

D. 317,939	7/1991	Judd et al.	D18/34
D. 319,840	9/1991	Hatsumi et al.	D18/34
D. 348,271	6/1994	Mori	D15/127
D. 353,150	12/1994	Mori	D15/127
3,301,117	1/1967	Spaulding .	
3,385,149	5/1968	Johnson .	
3,628,412	12/1971	Rogers, Jr.	83/508 X
3,973,459	8/1976	Stowe .	
4,197,774	4/1980	Singh et al.	83/455 X

1 Claim, 3 Drawing Sheets



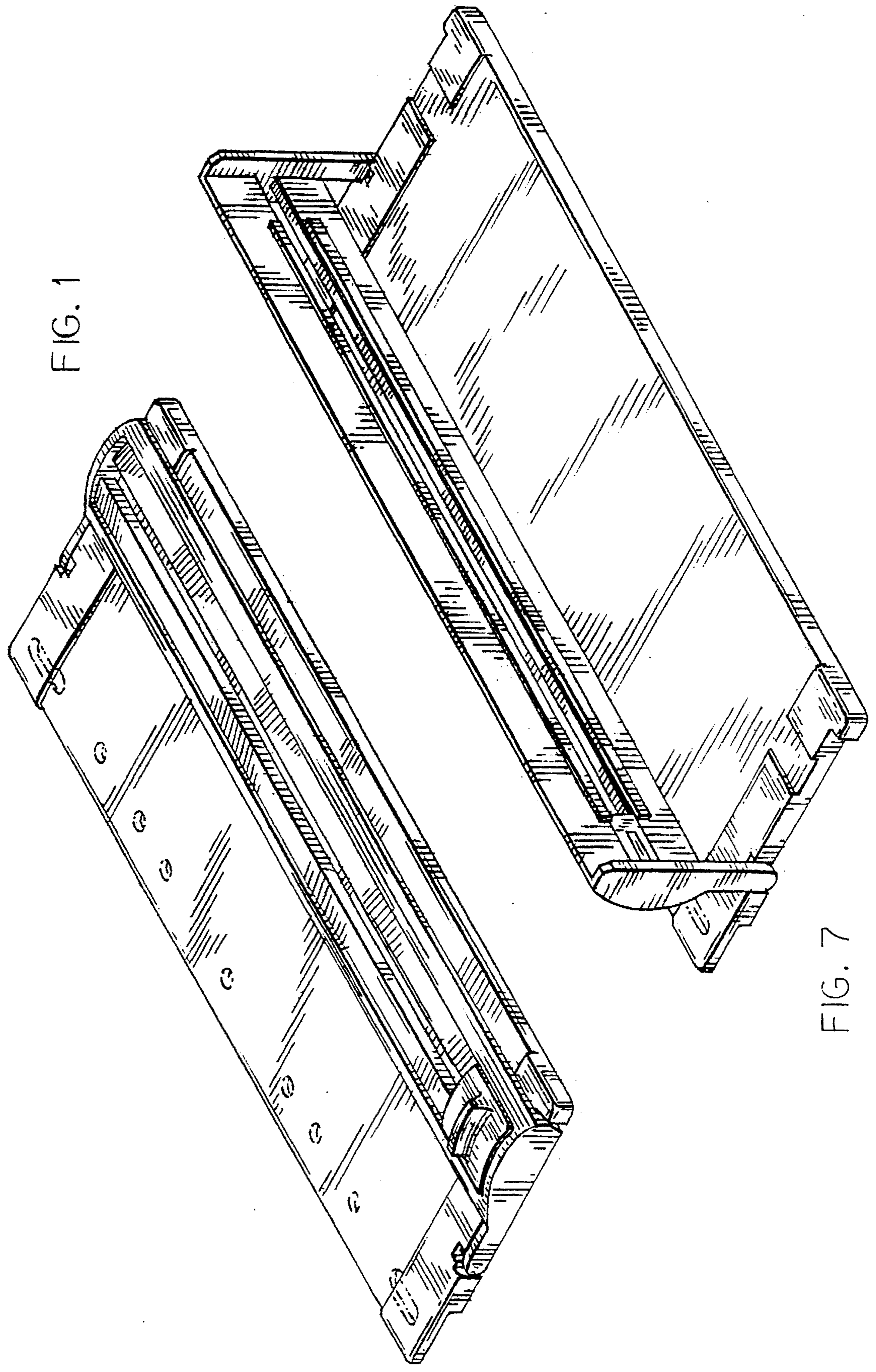


FIG. 1

FIG. 7

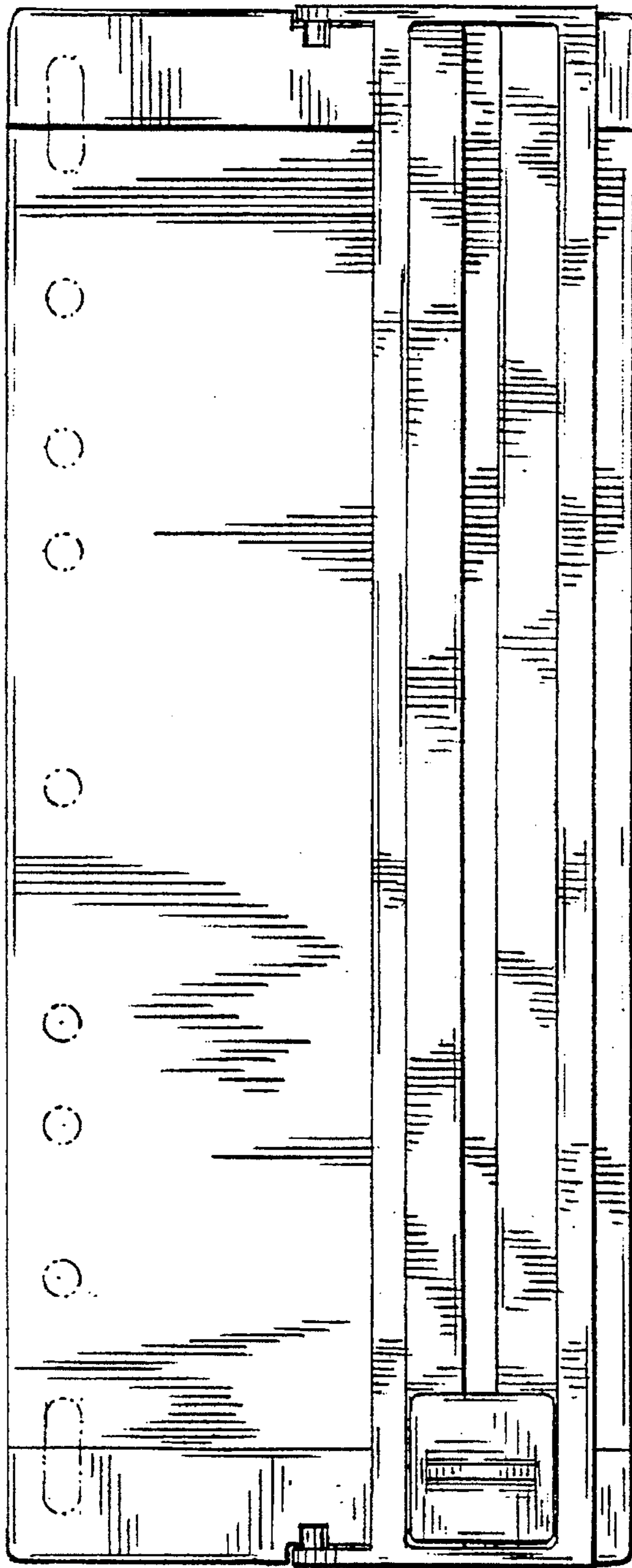


FIG. 2

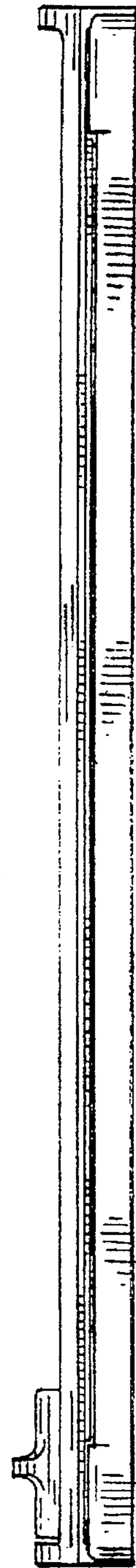


FIG. 3



FIG. 4

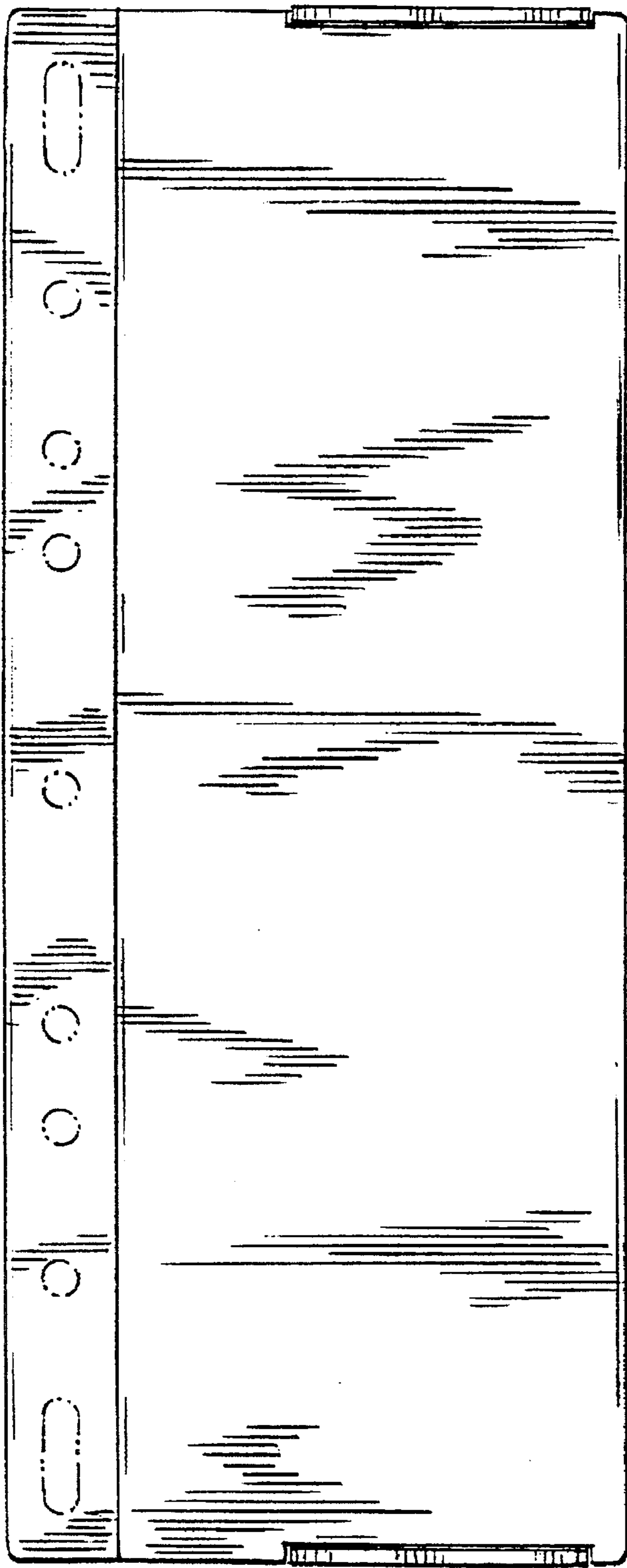


FIG. 5

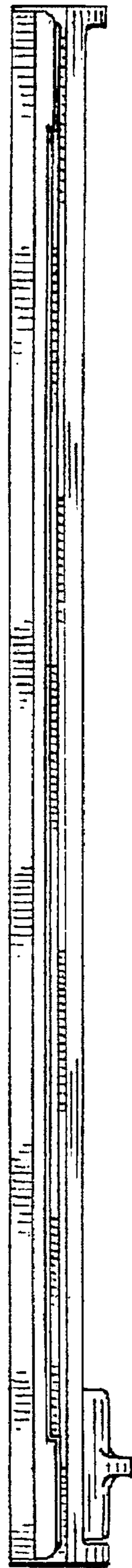


FIG. 6