



US00D379190S

United States Patent [19]

Takami et al.

[11] Patent Number: **Des. 379,190**

[45] Date of Patent: ****May 13, 1997**

[54] PROJECTOR

[75] Inventors: **Mitsuru Takami; Kuniyuki Kawamoto; Muneyuki Nagai**, all of Osaka, Japan

[73] Assignee: **Matsushita Electric Industrial Co., Ltd.**, Osaka, Japan

[**] Term: **14 Years**

[21] Appl. No.: **53,012**

[22] Filed: **Mar. 27, 1996**

[51] LOC (6) Cl. **16-02**

[52] U.S. Cl. **D16/234; D16/221; D16/230**

[58] Field of Search **D14/128; D16/202-205, D16/208, 221, 225, 230, 234, 231; D21/110; 352/34, 242, 243; 353/115, 119, 122**

[56] References Cited

U.S. PATENT DOCUMENTS

D. 211,211	5/1968	Steinbach	D16/234
D. 331,768	12/1992	Saeki et al.	D16/225
D. 343,849	2/1994	Miyahara	D16/225
D. 343,850	2/1994	Saeki et al.	D16/234
D. 356,103	3/1995	Saeki et al.	D16/221
D. 365,587	12/1995	Saeki et al.	D16/234
D. 371,148	6/1996	Kobayashi	D16/221
3,269,793	8/1966	White, Jr.	D16/230

OTHER PUBLICATIONS

Natinal Audio Visual Supply Catalog, 1994, p. 74(Sayett "Mediashow XC" Color Video Projector 526-607).

Primary Examiner—Ted Shooman
Assistant Examiner—Adir Aronovich
Attorney, Agent, or Firm—Sughrue, Mion, Zinn, Macpeak & Seas

[57] CLAIM

The ornamental design for a projector, as shown and described.

DESCRIPTION

FIG. 1 is a perspective view of the front, top and right side of a projector showing our new design;
FIG. 2 is a perspective view of the top, rear and left side thereof;
FIG. 3 is a front elevational view thereof;
FIG. 4 is a top plan view thereof;
FIG. 5 is a right side elevational view thereof;
FIG. 6 is a left side elevational view thereof;
FIG. 7 is a rear elevational view thereof;
FIG. 8 is a bottom plan view thereof; and,
FIG. 9 is a perspective view similar to FIG. 2 with the handle raised to the carrying position.

1 Claim, 5 Drawing Sheets

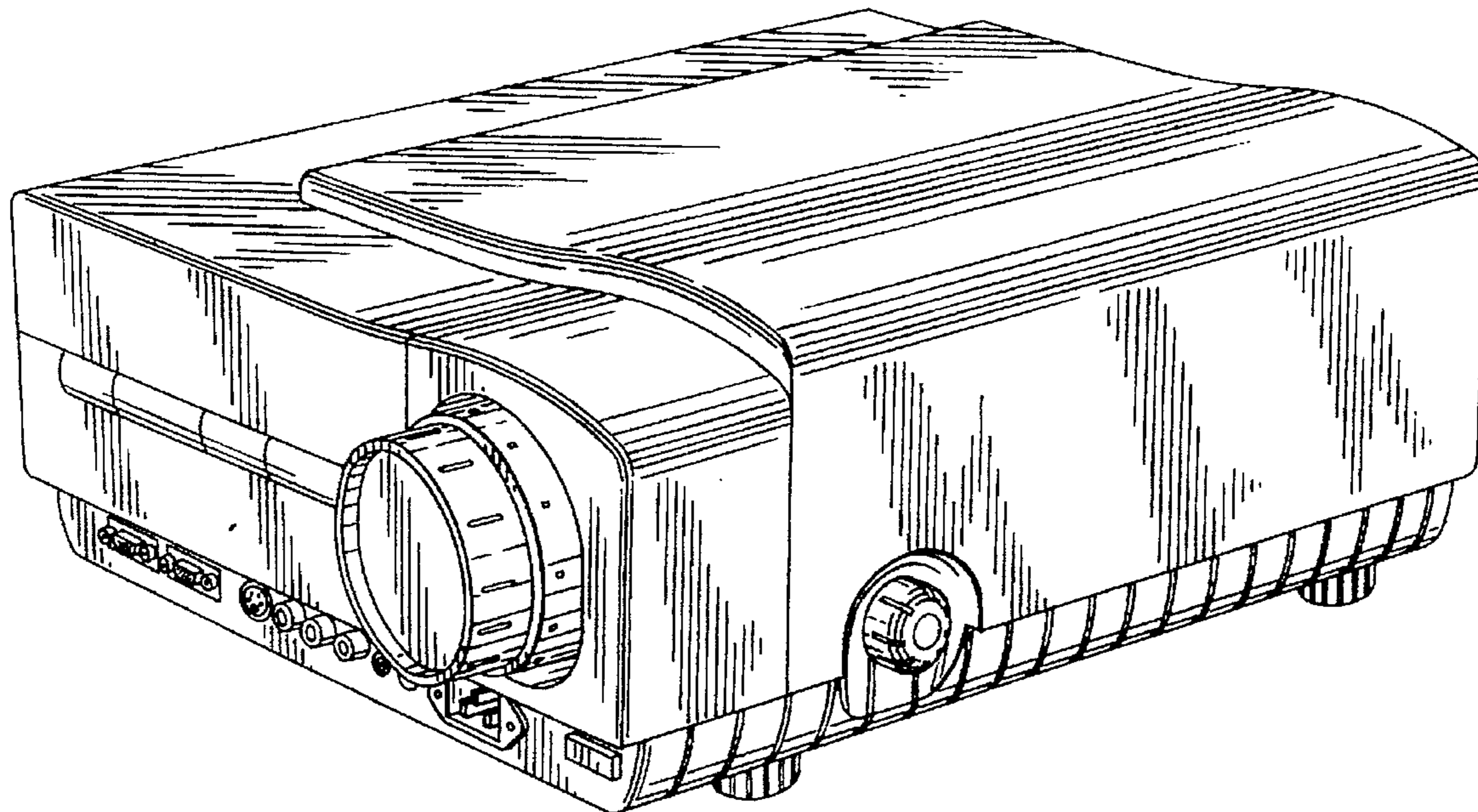


FIG. 1

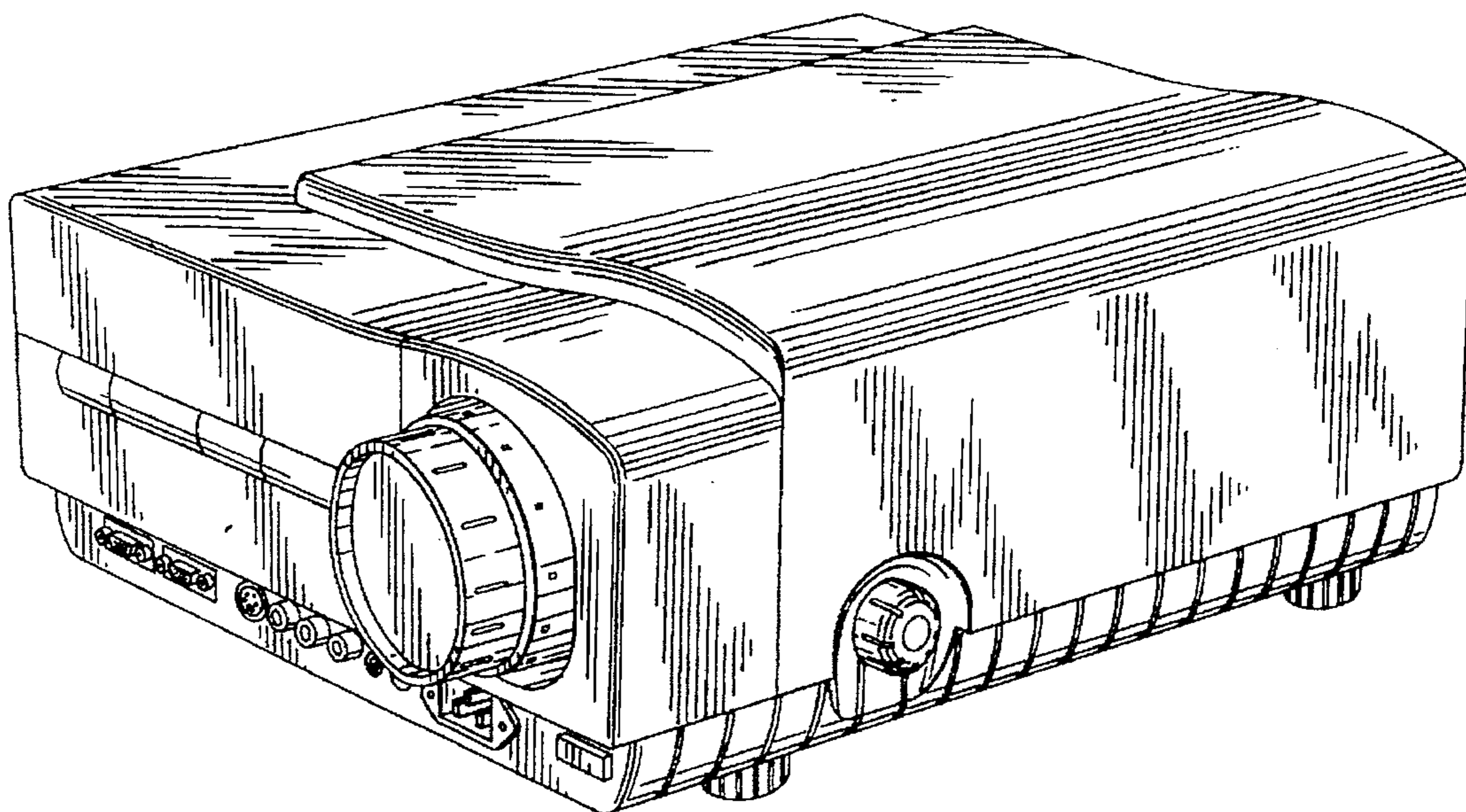


FIG. 2

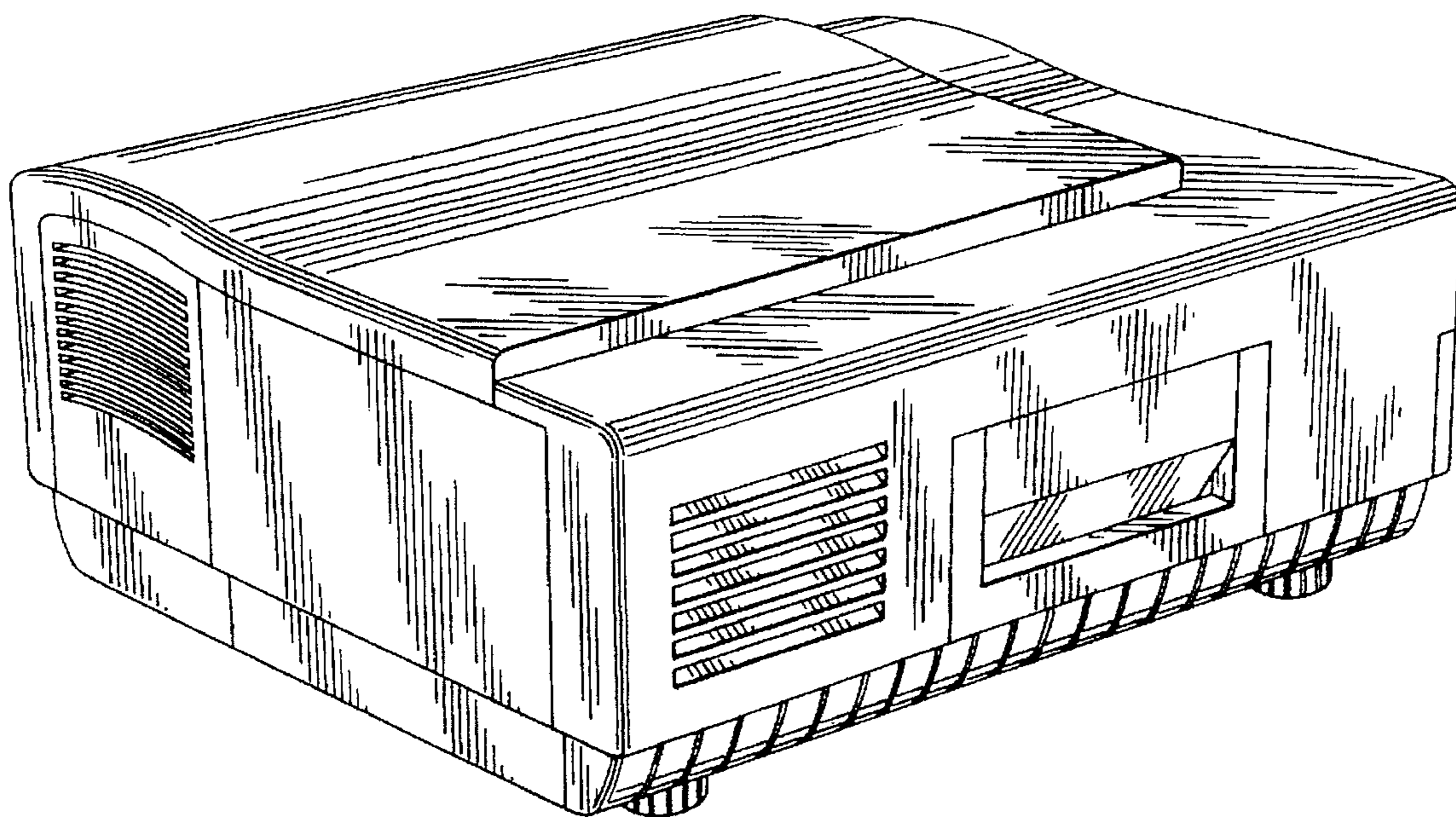


FIG. 3

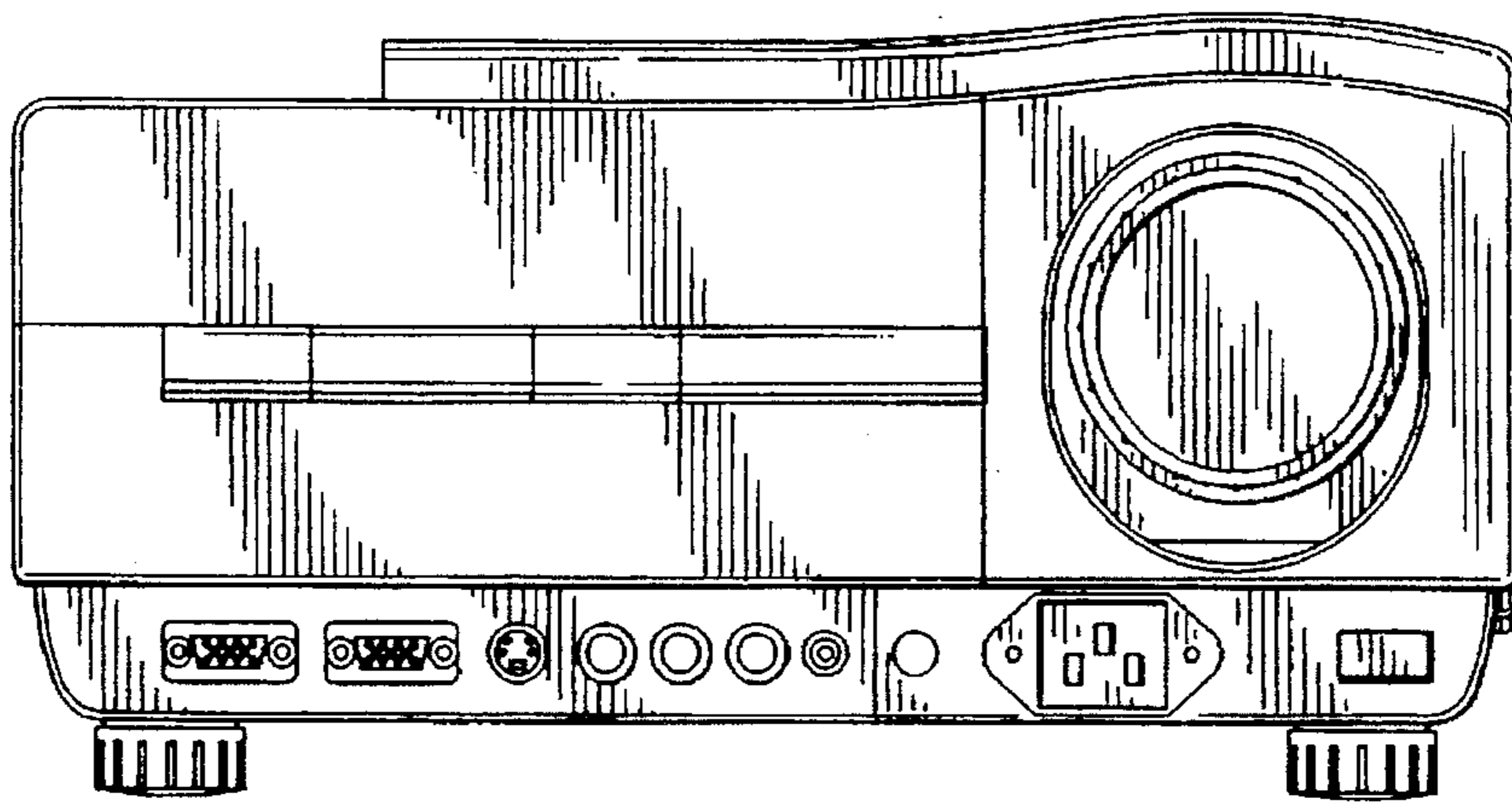


FIG. 4

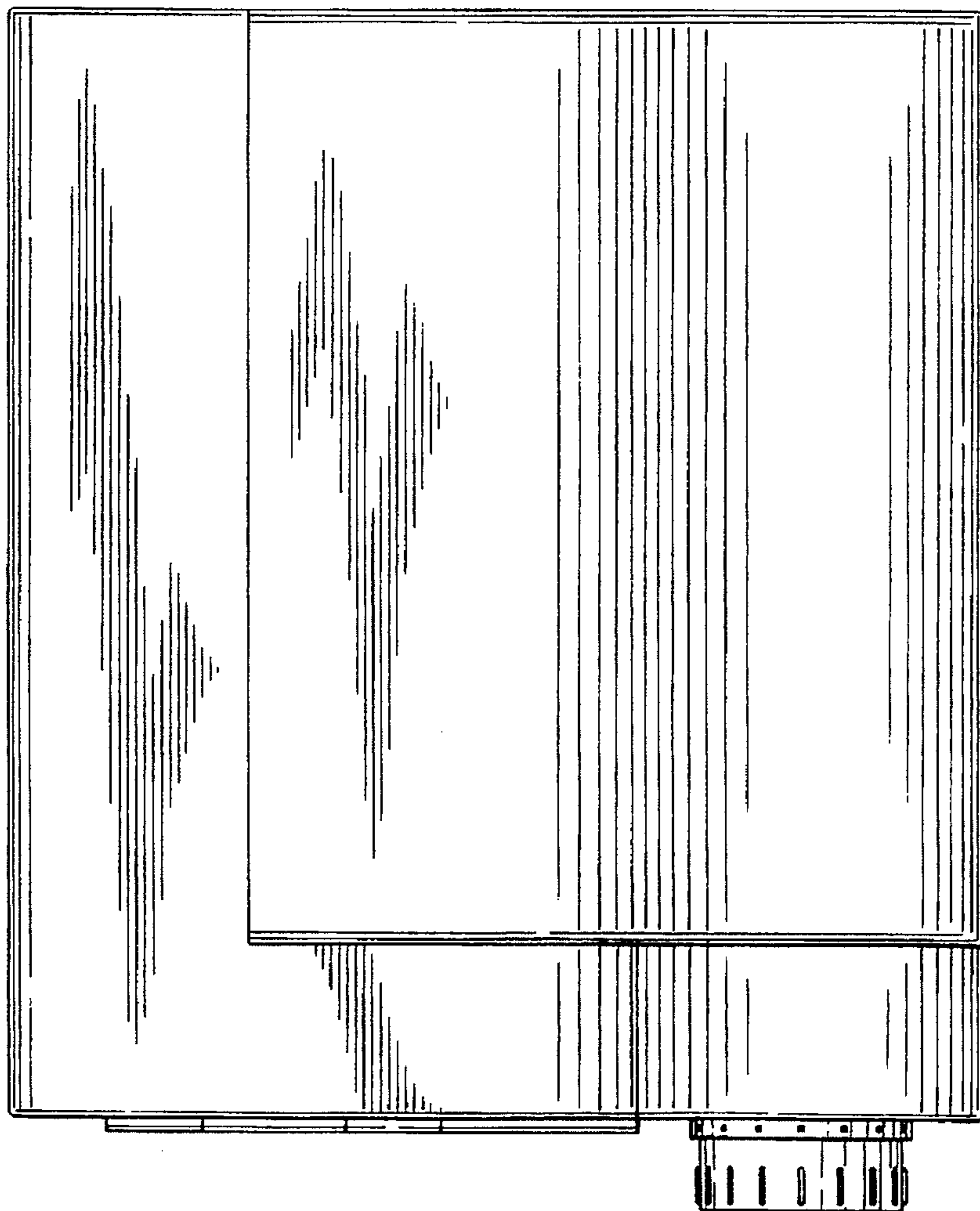


FIG. 5

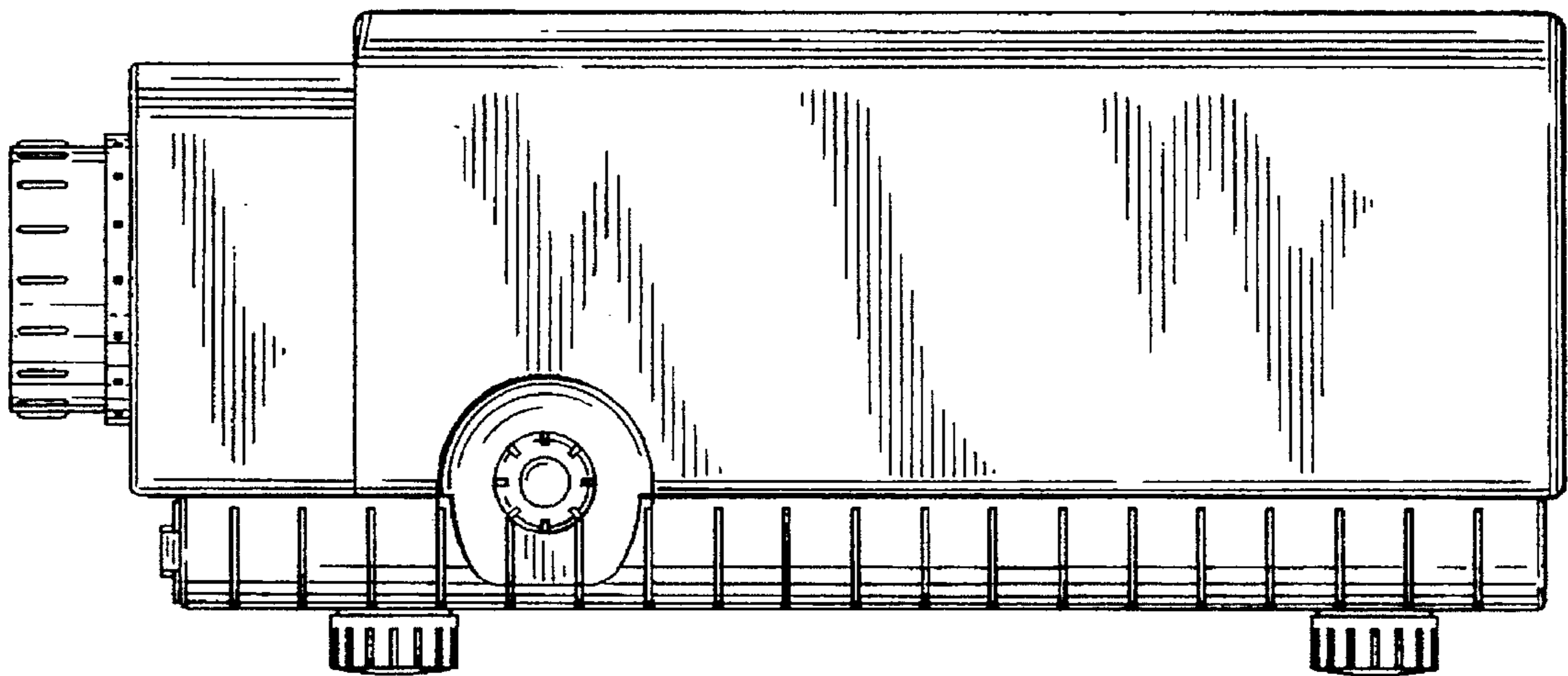


FIG. 6

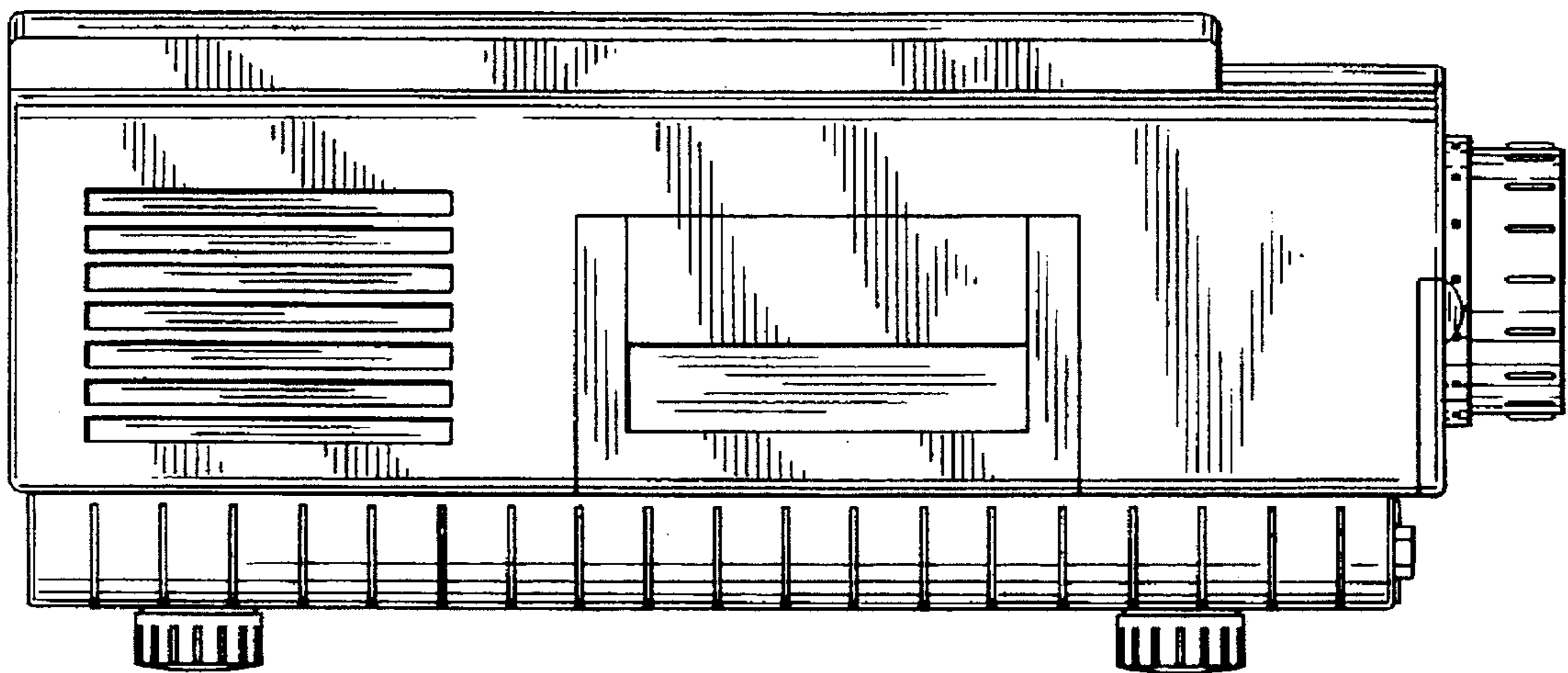


FIG. 7

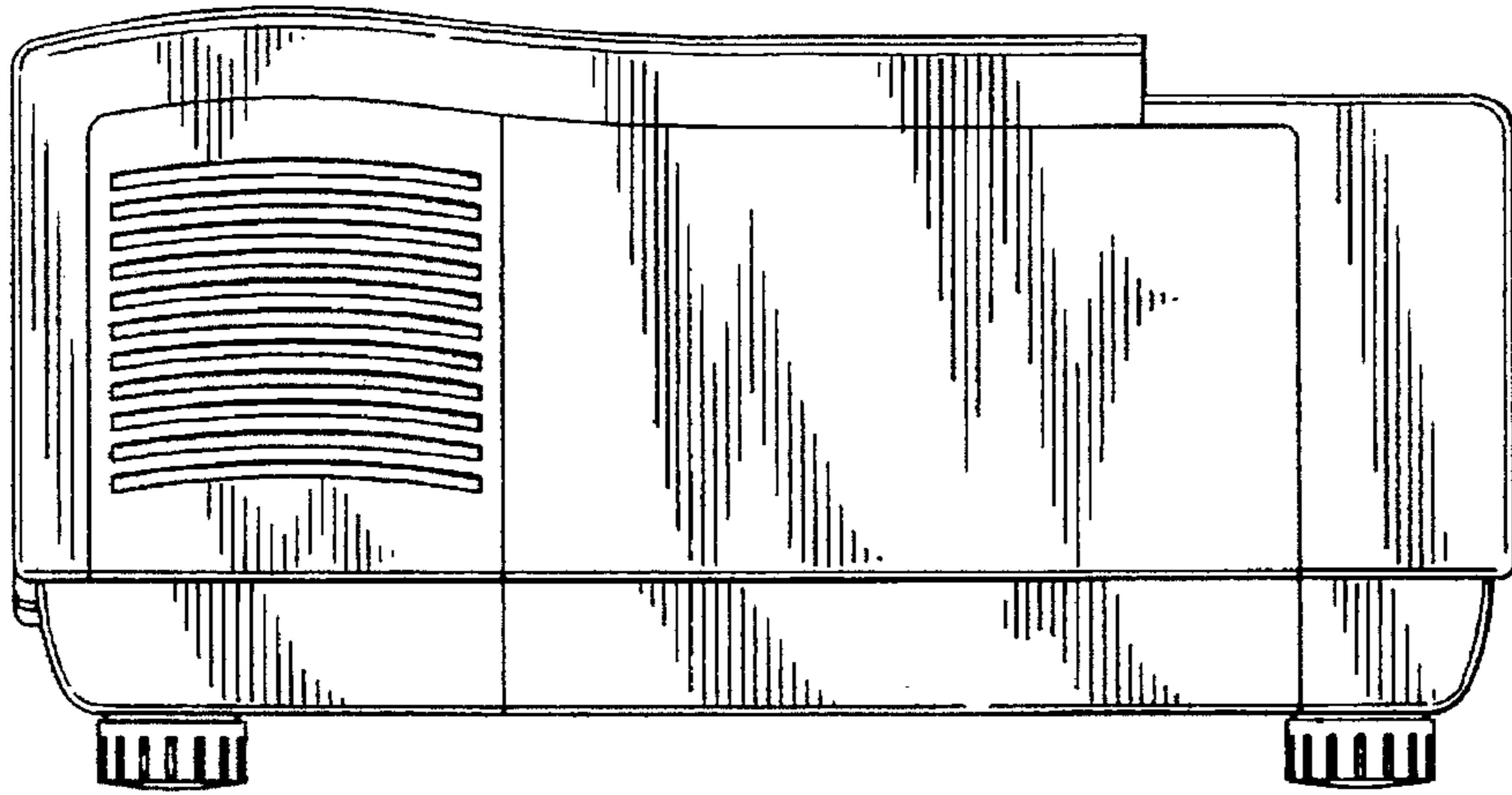


FIG. 8

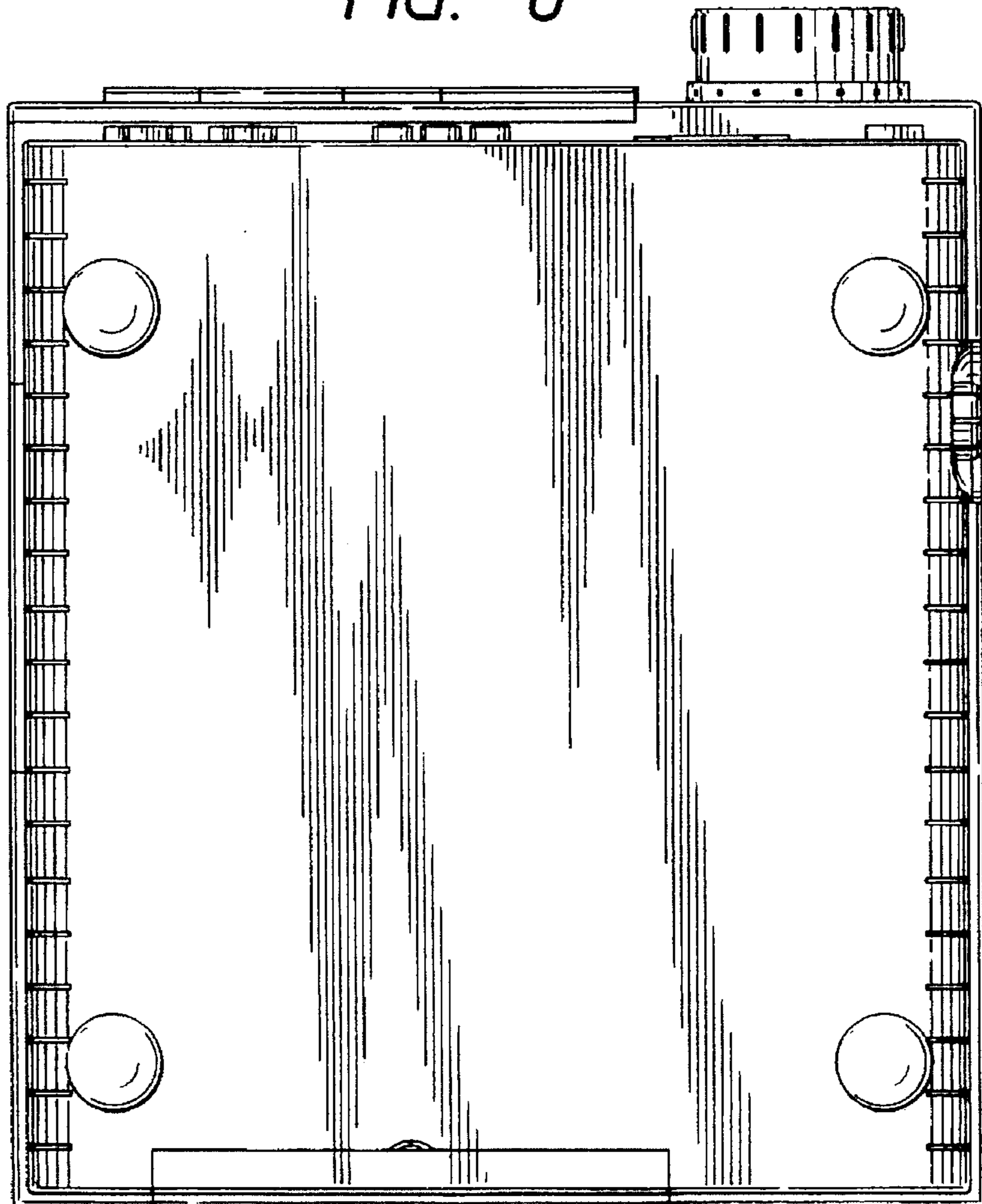


FIG. 9

